



US00D453238S

(12) **United States Design Patent**  
**Freeman et al.**

(10) **Patent No.:** **US D453,238 S**  
(45) **Date of Patent:** **\*\* Jan. 29, 2002**

(54) **EGGPLANT SOAP**

(76) Inventors: **Faith Freeman**, 3632 Rebel Cir.,  
Huntington Beach, CA (US) 92649;  
**Leon J. Savoit, IV**, 1061 Cypress, La  
Habra, CA (US) 90631

(\*\*) Term: **14 Years**

(21) Appl. No.: **29/144,923**

(22) Filed: **Jul. 12, 2001**

(51) **LOC (7) Cl.** ..... **28-02**

(52) **U.S. Cl.** ..... **D28/8.2**

(58) **Field of Search** ..... D28/8.1, 8.2; D1/106,  
D1/115; D9/307, 329, 335; D11/131-133,  
139, 157; D19/53; 510/142-144, 146-148,  
440, 449; 428/13; D26/7; D24/102; D5/36

(56) **References Cited**

**U.S. PATENT DOCUMENTS**

D129,492 S	*	9/1941	Schaefer	.....	D5/36
D159,580 S	*	8/1950	Blanch	.....	D7/582
D413,692 S	*	9/1999	Freeman	.....	D28/8.2
D428,199 S	*	7/2000	Freeman	.....	D28/8.2

**OTHER PUBLICATIONS**

PRIMAL ELEMENTS ® Spring/Summer 2001 Catalog, ©  
2000, 1) p. 19: "Cottontails" soap; 2) p. 21: "Berry Buttons"  
and "Big Apple" soaps 3) p. 24 "Chili Fest" soap.\*

\* cited by examiner

*Primary Examiner*—Ted Shooman

*Assistant Examiner*—C. Tuttle

(74) *Attorney, Agent, or Firm*—Stetina Brunda Garred &  
Brucker

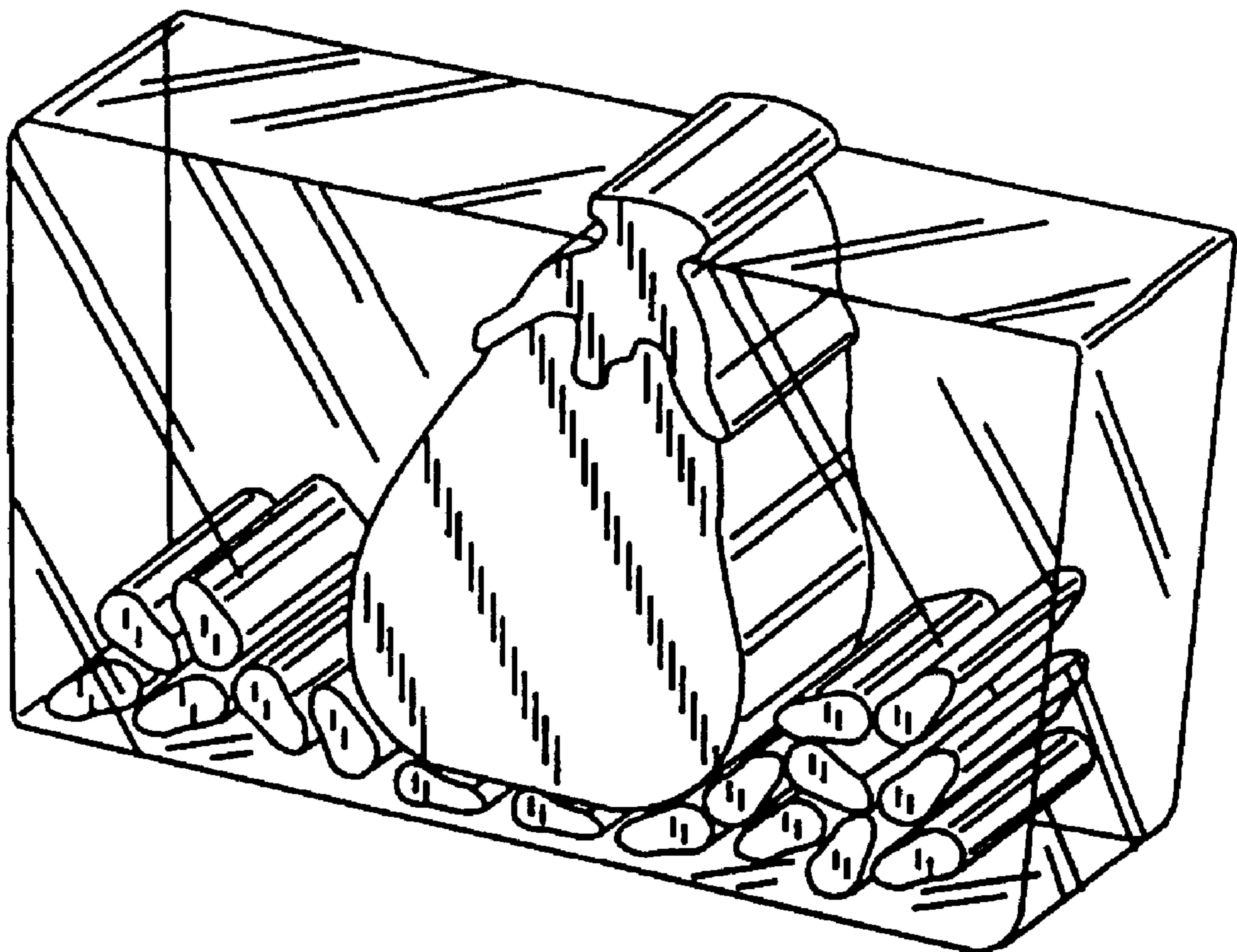
(57) **CLAIM**

The ornamental design for an eggplant soap, as shown and  
described.

**DESCRIPTION**

FIG. 1 is a front perspective view of the eggplant soap of the  
present invention showing our new design;  
FIG. 2 is a front elevational view thereof;  
FIG. 3 is a side elevational view thereof;  
FIG. 4 is the opposite side elevational view thereof;  
FIG. 5 is a top plan view thereof; and,  
FIG. 6 is a bottom plan view thereof.

**1 Claim, 1 Drawing Sheet**



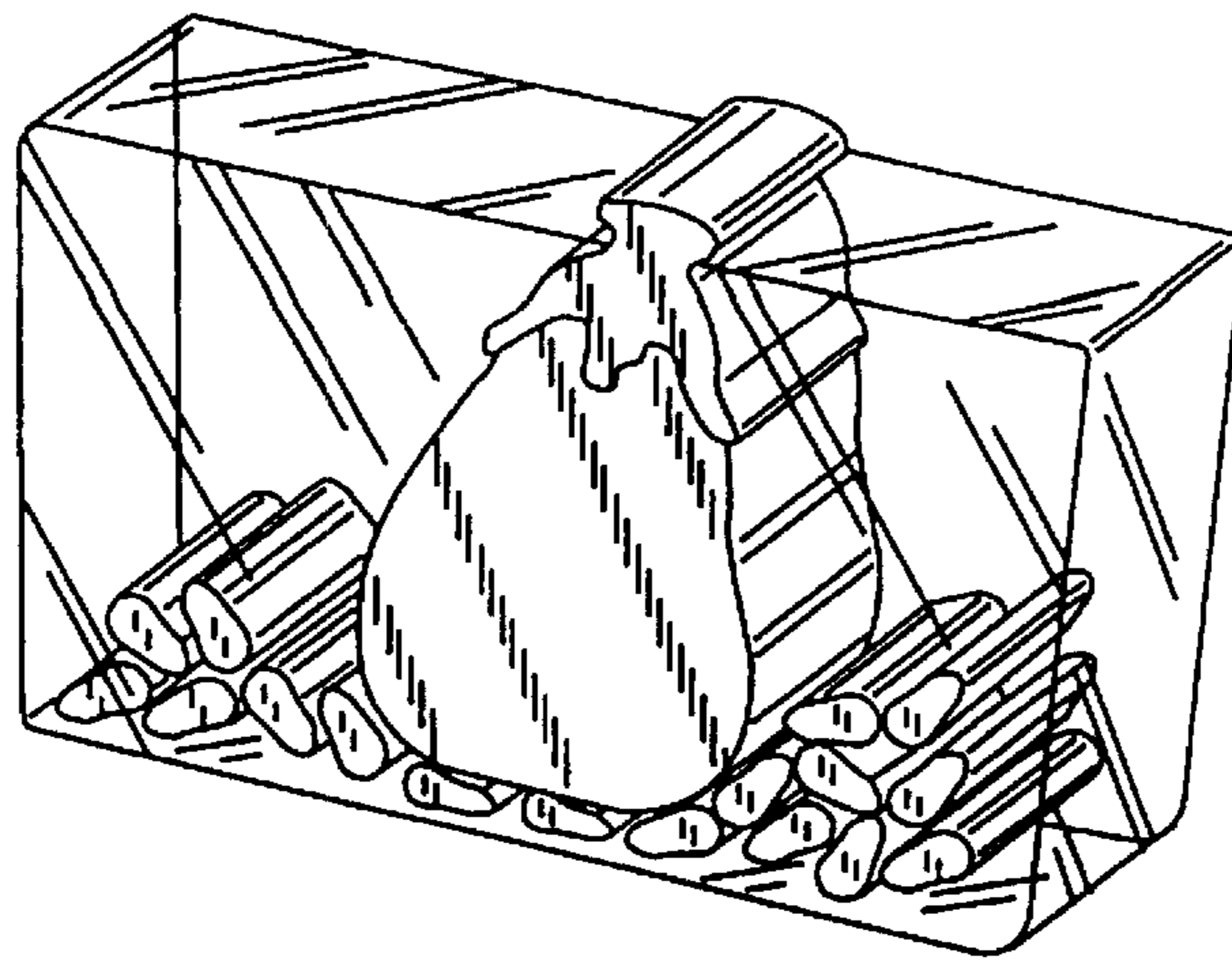


Fig. 1

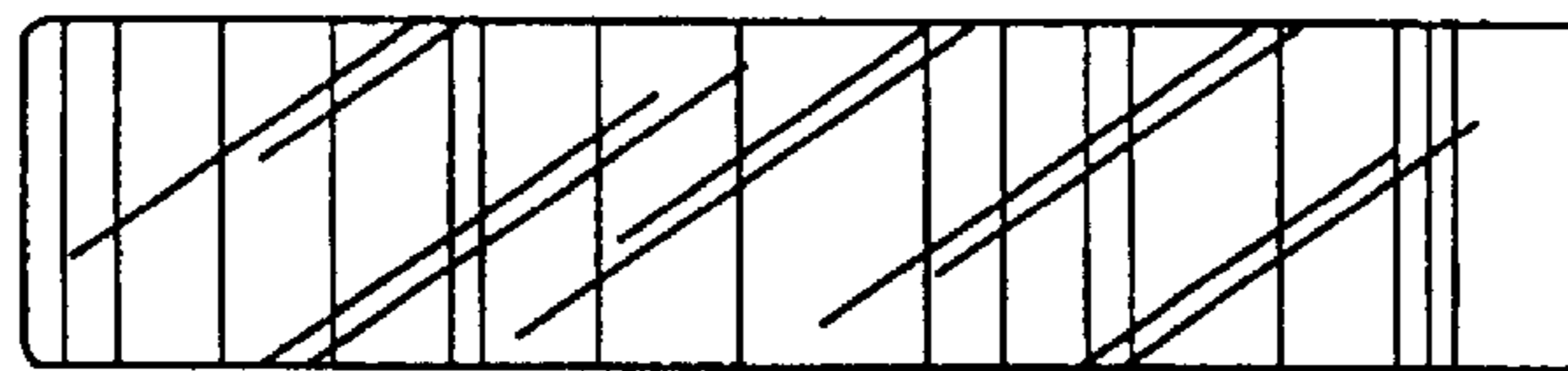


Fig. 5

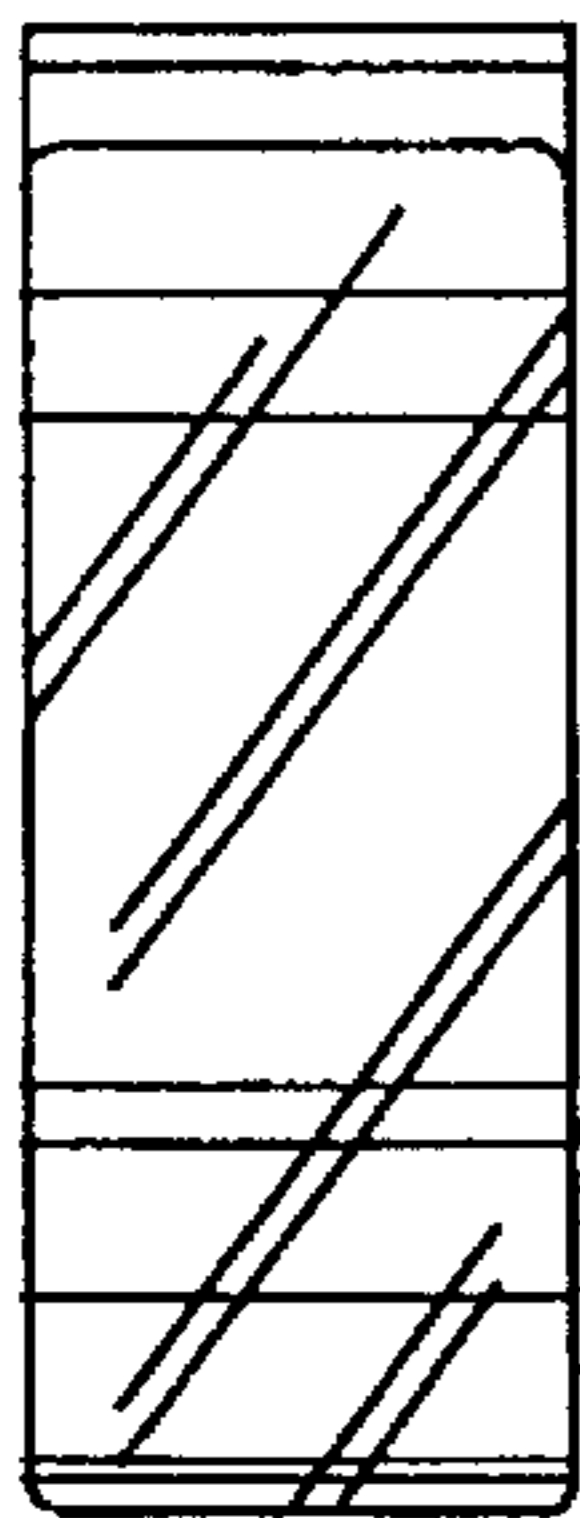


Fig. 3

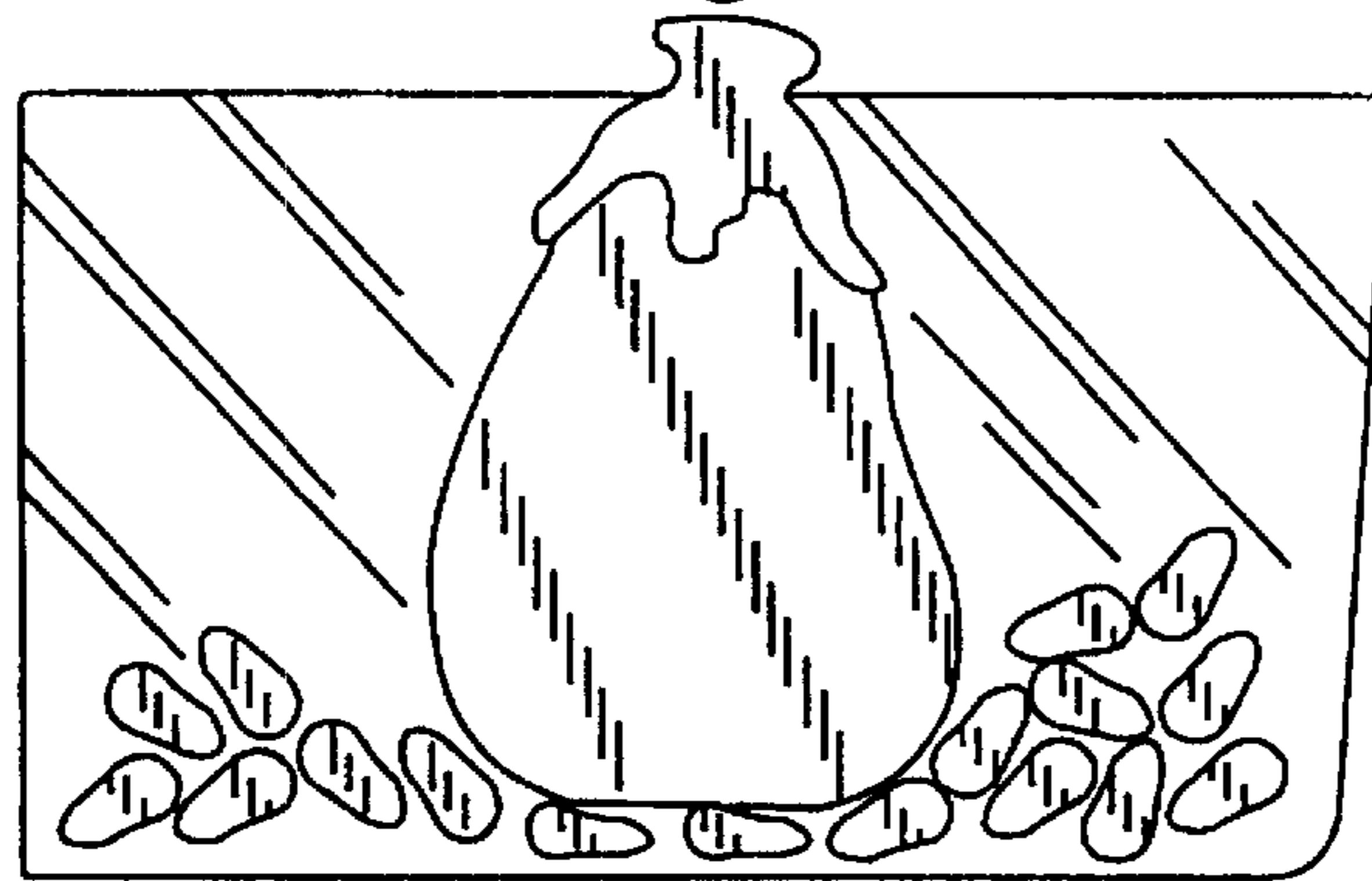


Fig. 2

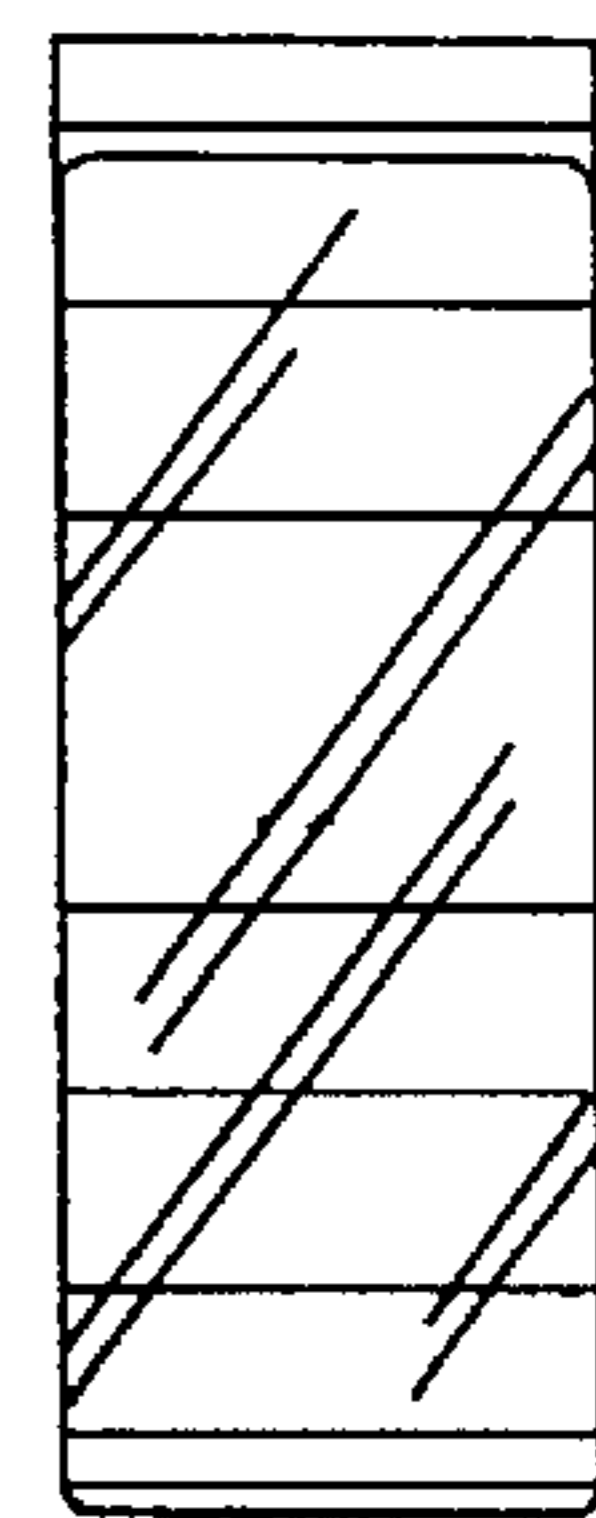


Fig. 4

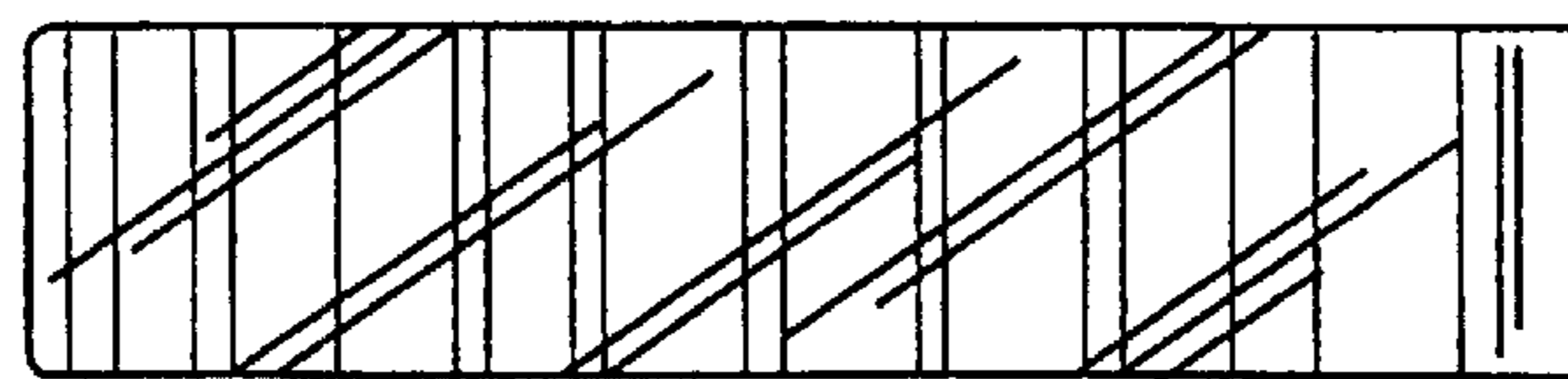


Fig. 6