



US00D453237S

(12) **United States Design Patent**
Freeman et al.

(10) **Patent No.:** **US D453,237 S**

(45) **Date of Patent:** **** Jan. 29, 2002**

(54) **SOAP**

(76) **Inventors:** **Faith Freeman**, 3632 Rebel Cir.,
Huntington Beach, CA (US) 92649;
Leon J Savoit, IV, 1061 Cypress, La
Habra, CA (US) 90631

(**) **Term:** **14 Years**

(21) **Appl. No.:** **29/144,921**

(22) **Filed:** **Jul. 12, 2001**

(51) **LOC (7) Cl.** **28-03**

(52) **U.S. Cl.** **D28/8.2**

(58) **Field of Search** D28/8.1, 8.2; D1/104,
D1/106, 107; D9/307, 310, 317; D11/127,
134, 135, 137, 158, 162; D26/7; 510/142-144,
146-148, 440, 449; 328/13; D24/102

(56) **References Cited**

U.S. PATENT DOCUMENTS

D246,842 S * 1/1978 Campbell D11/137
D336,811 S * 6/1993 Thompson D6/608

D416,107 S * 11/1999 Freeman D28/8.2
D423,716 S * 4/2000 Freeman D28/8.2
D428,527 S * 7/2000 Freeman D28/8.2

* cited by examiner

Primary Examiner—Ted Shooman

Assistant Examiner—C Tuttle

(74) *Attorney, Agent, or Firm*—Stetina Brunda Garred &
Brucker

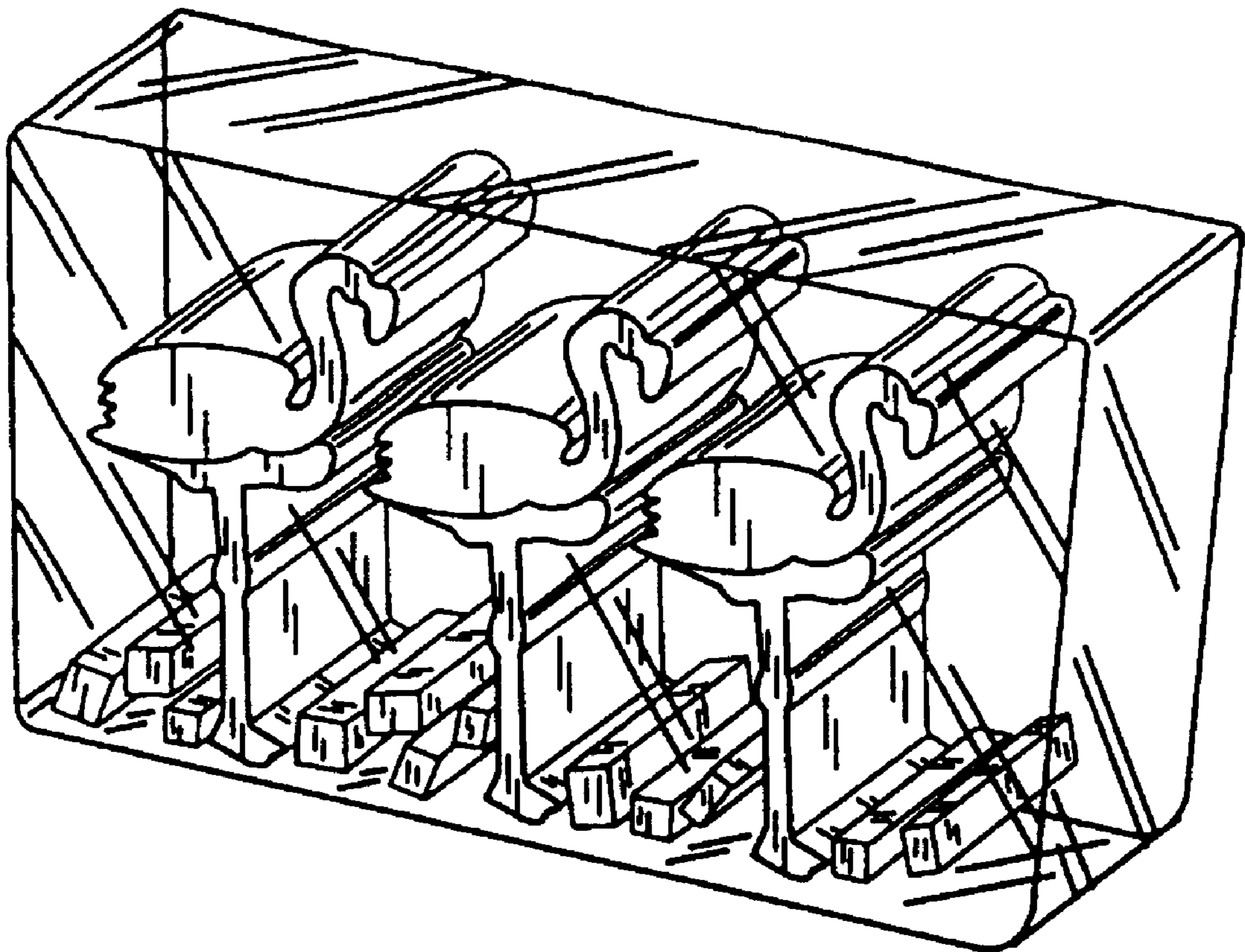
(57) **CLAIM**

The ornamental design for a soap, as shown and described.

DESCRIPTION

FIG. 1 is a front perspective view of the soap of the present invention showing our new design;
FIG. 2 is a front elevational view thereof;
FIG. 3 is a side elevational view thereof;
FIG. 4 is the opposite side elevational view thereof;
FIG. 5 is a top plan view thereof; and,
FIG. 6 is a bottom plan view thereof.

1 Claim, 1 Drawing Sheet



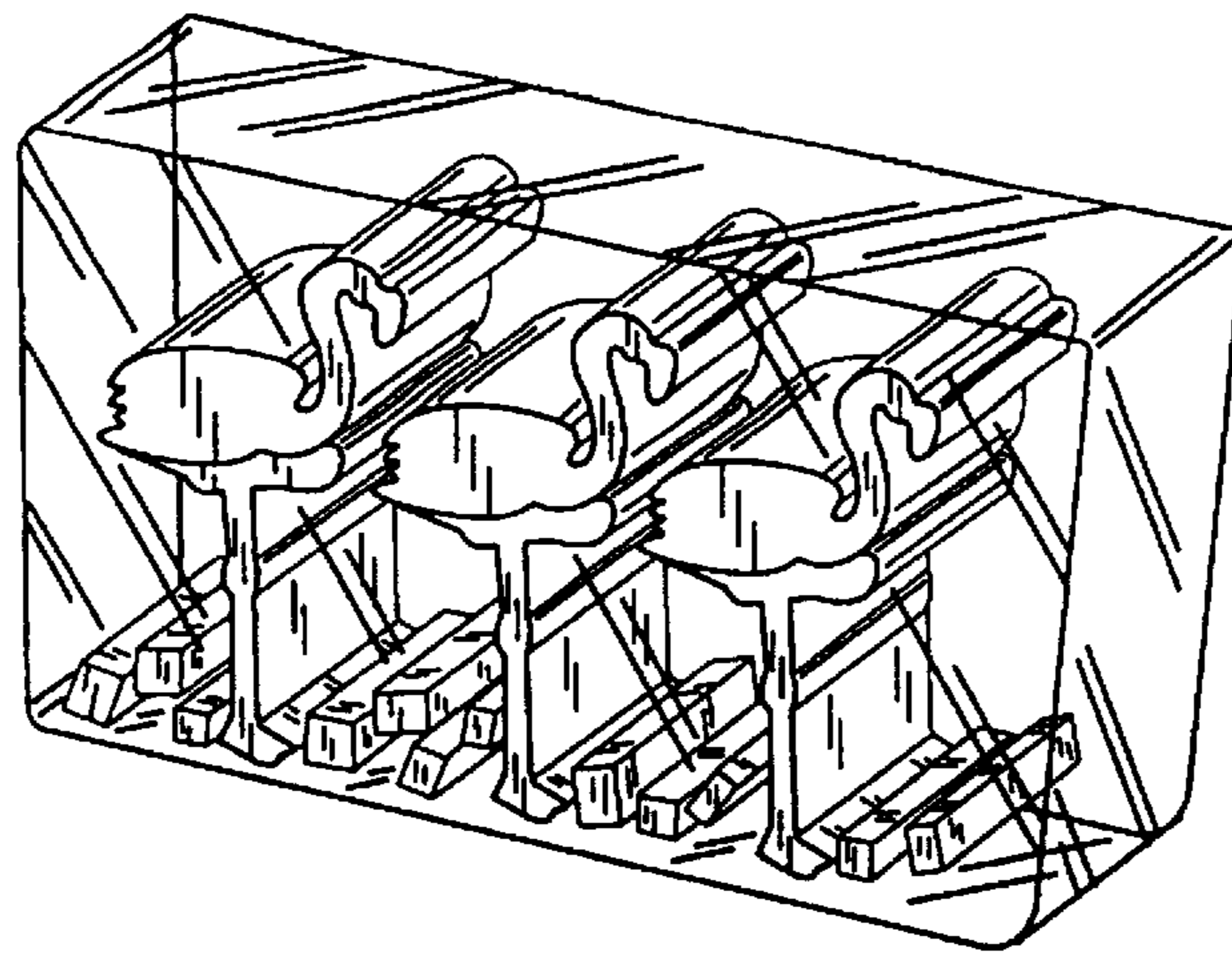


Fig. 1

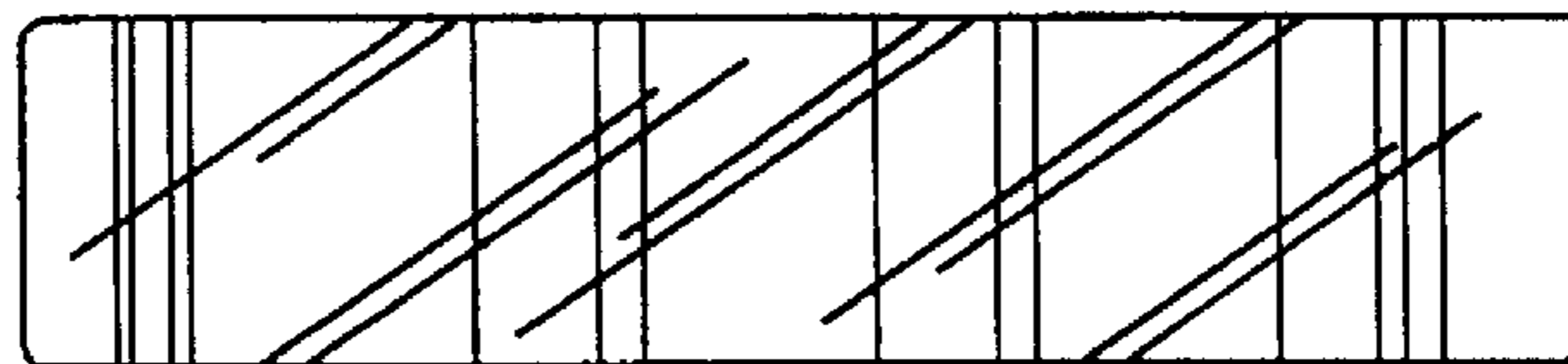


Fig. 5

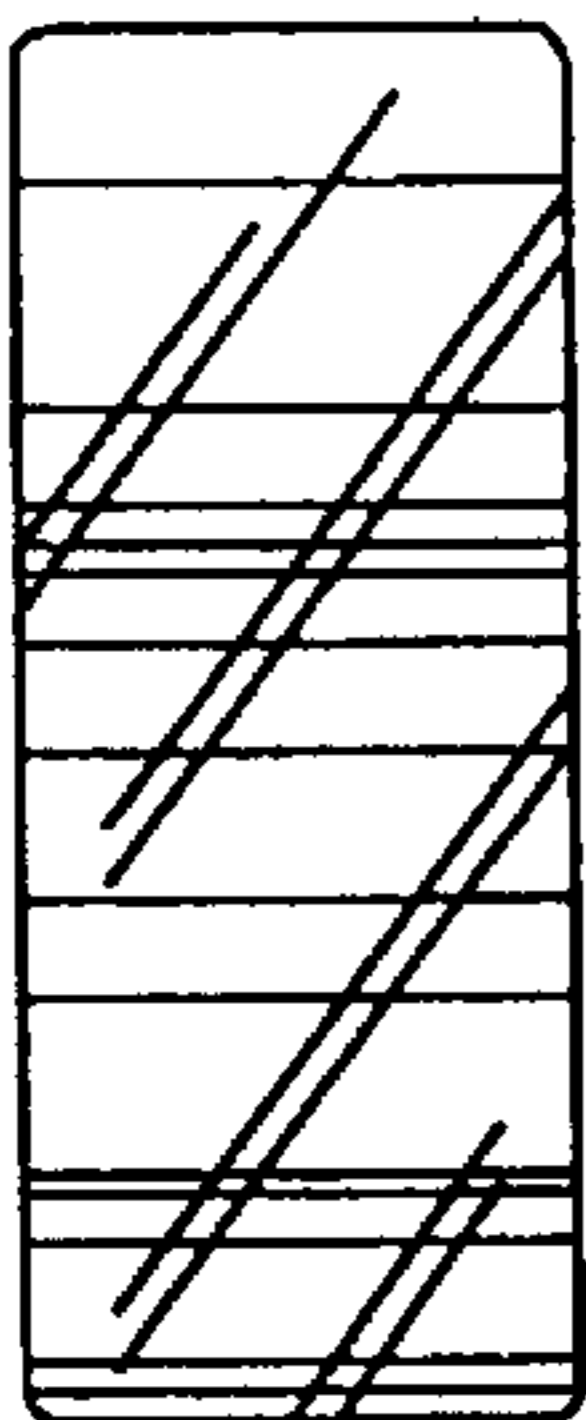


Fig. 3

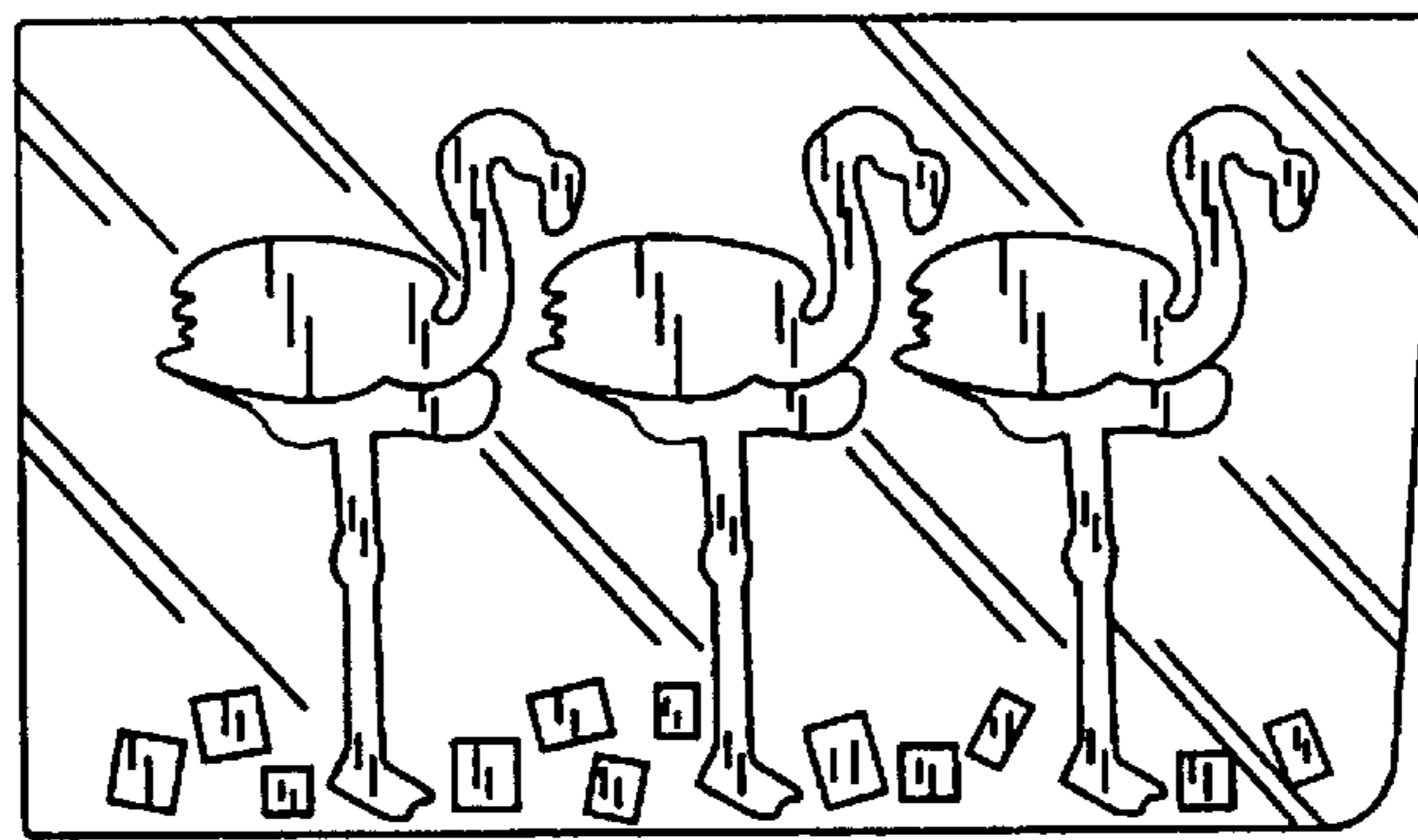


Fig. 2

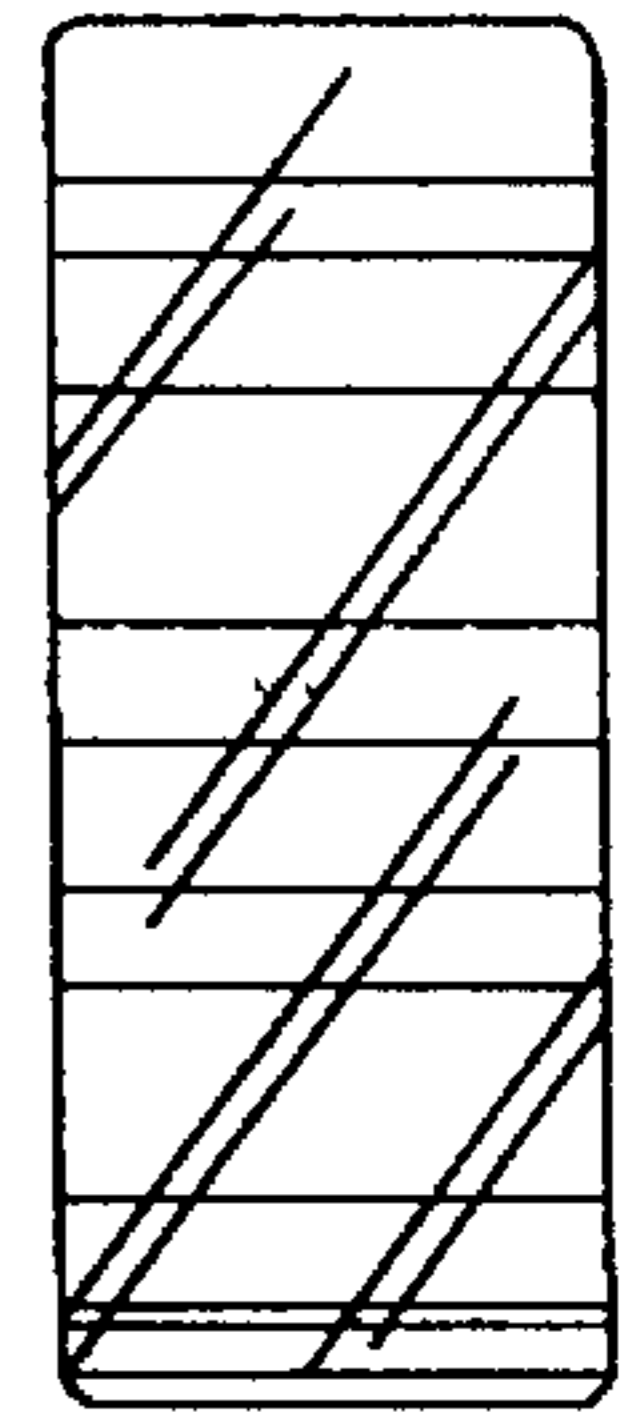


Fig. 4

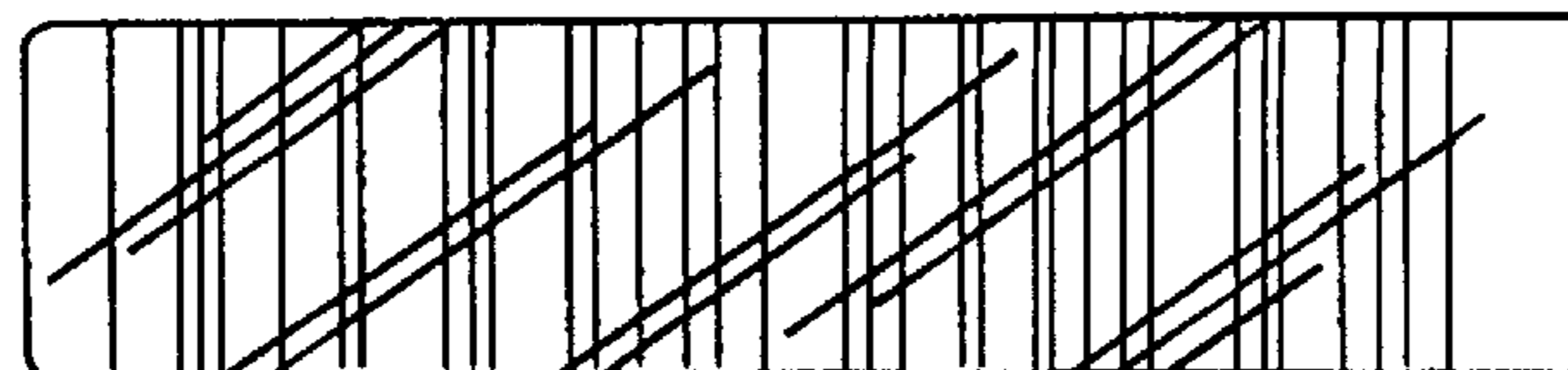


Fig. 6