



US00D453236S

(12) **United States Design Patent**  
**Hsu**

(10) **Patent No.:** **US D453,236 S**

(45) **Date of Patent:** **\*\* Jan. 29, 2002**

(54) **ASHTRAY**

3,229,886 A \* 1/1966 Grogel ..... D7/584 X  
D402,399 S \* 12/1998 Fowler ..... D27/135

(75) **Inventor:** **Kevin Hsu, Taichung (TW)**

\* cited by examiner

(73) **Assignee:** **Dong Guan Bright Yin Huey Lighting Co., Ltd., Guang Dong (CN)**

*Primary Examiner*—Jennifer Rivard

(74) *Attorney, Agent, or Firm*—Rosenberg, Klein & Lee

(\*\*) **Term:** **14 Years**

(57) **CLAIM**

(21) **Appl. No.:** **29/145,410**

The ornamental design for a ashtray, as shown and described.

(22) **Filed:** **Jul. 24, 2001**

**DESCRIPTION**

(51) **LOC (7) Cl.** ..... **27-03**

(52) **U.S. Cl.** ..... **D27/134**

(58) **Field of Search** ..... D27/102, 103,  
D27/133–135; D7/584, 586, 587; 131/231,  
235.1, 240.1, 242.6

FIG. 1 is a perspective view of ashtray showing my new design;

FIG. 2 is a front elevation view, the rear elevation view thereof being identical in appearance;

FIG. 3 is a left side elevation view, the right side elevation view thereof being identical in appearance;

FIG. 4 is a top plan view thereof; and,

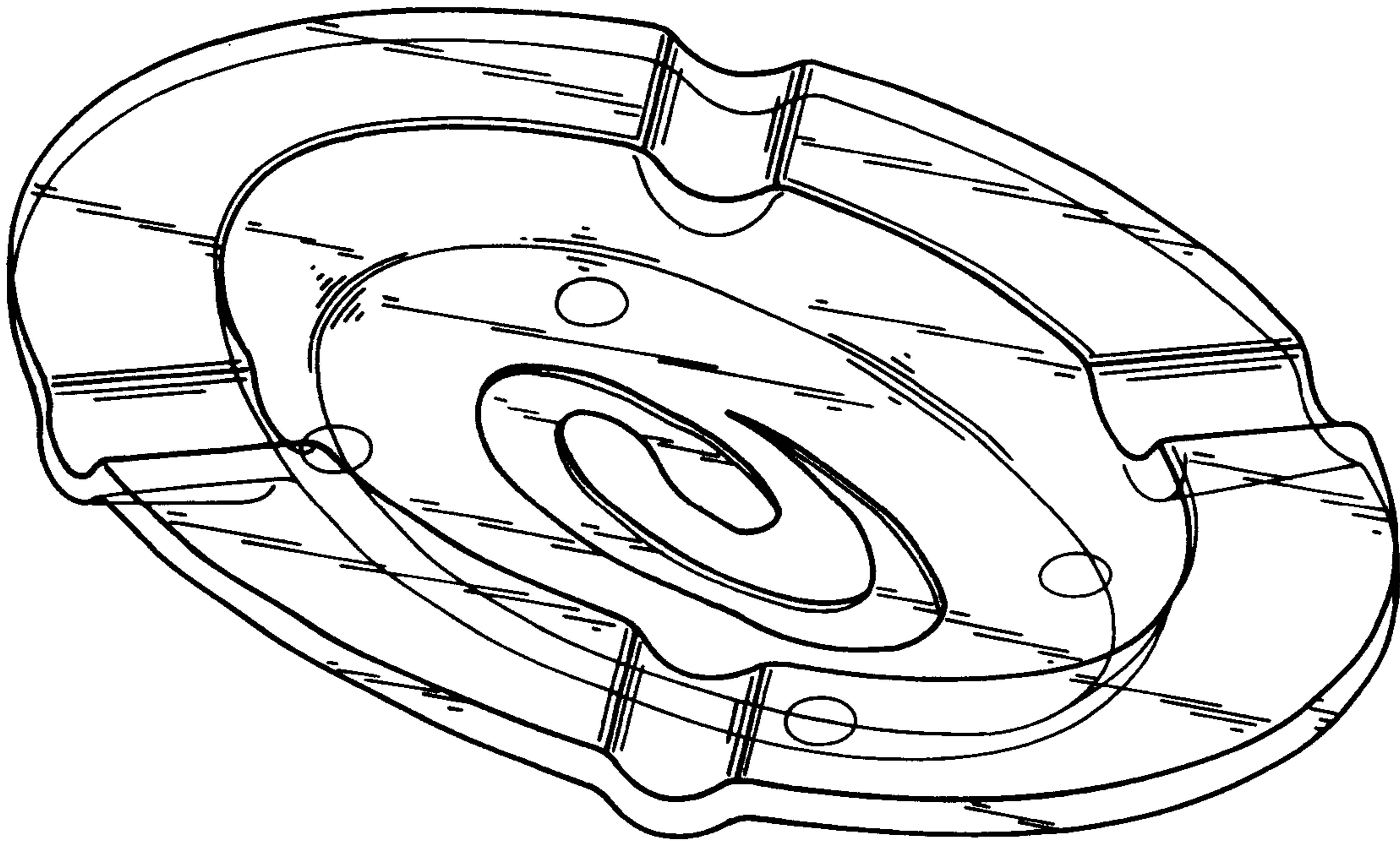
FIG. 5 is a bottom plan view thereof.

(56) **References Cited**

**U.S. PATENT DOCUMENTS**

D179,388 S \* 12/1956 Clarke ..... D27/134

**1 Claim, 3 Drawing Sheets**



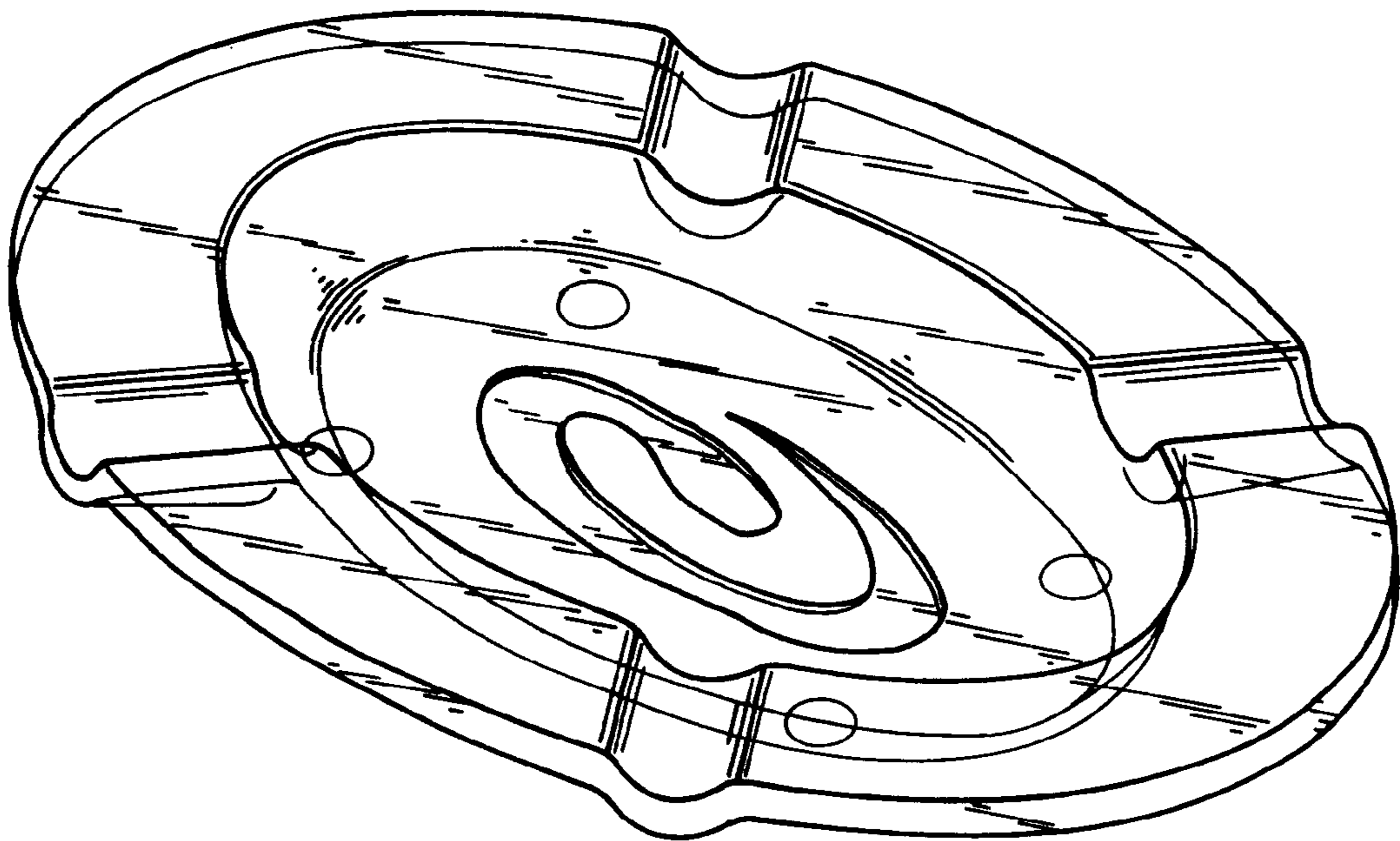


FIG. 1

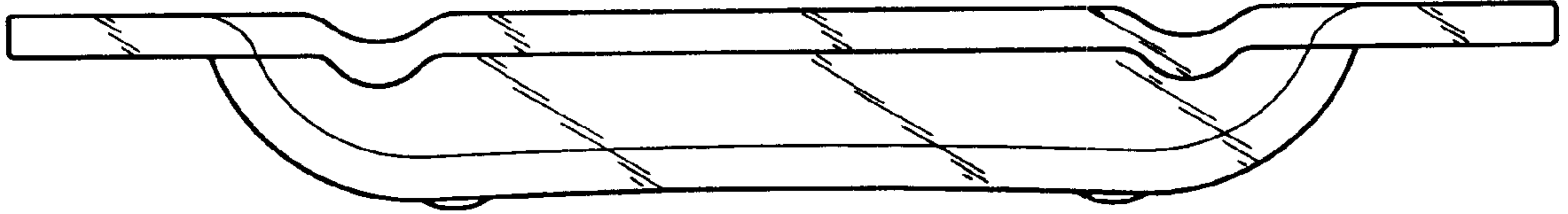


FIG. 2

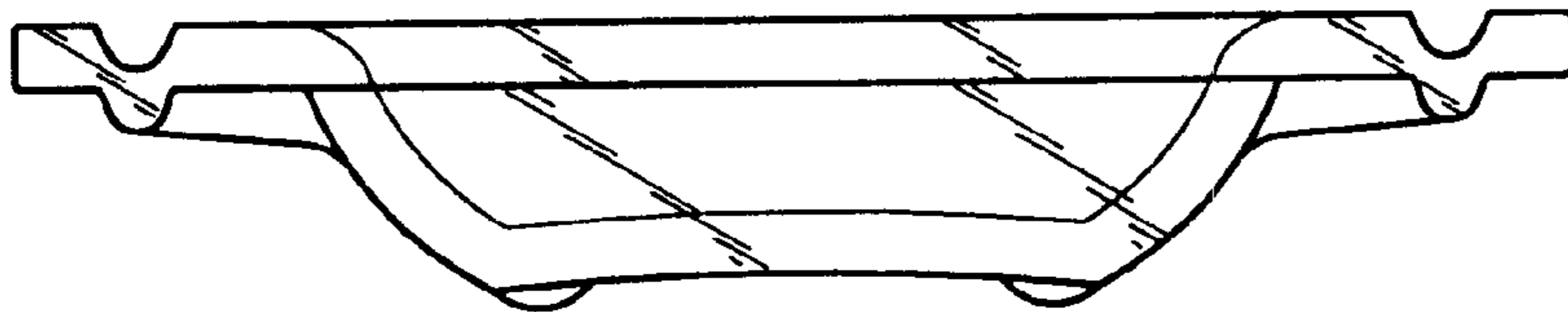


FIG. 3

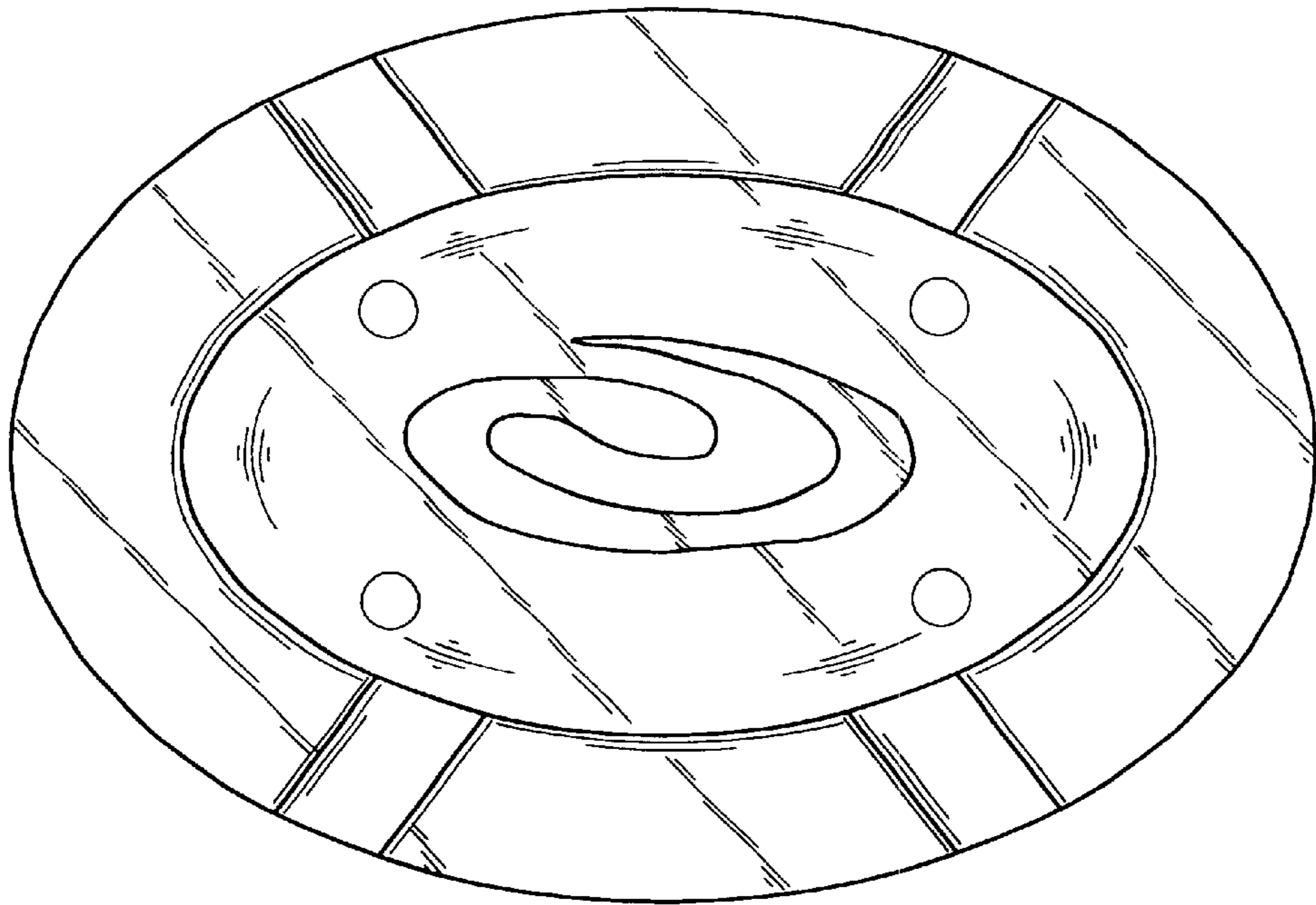


FIG. 4

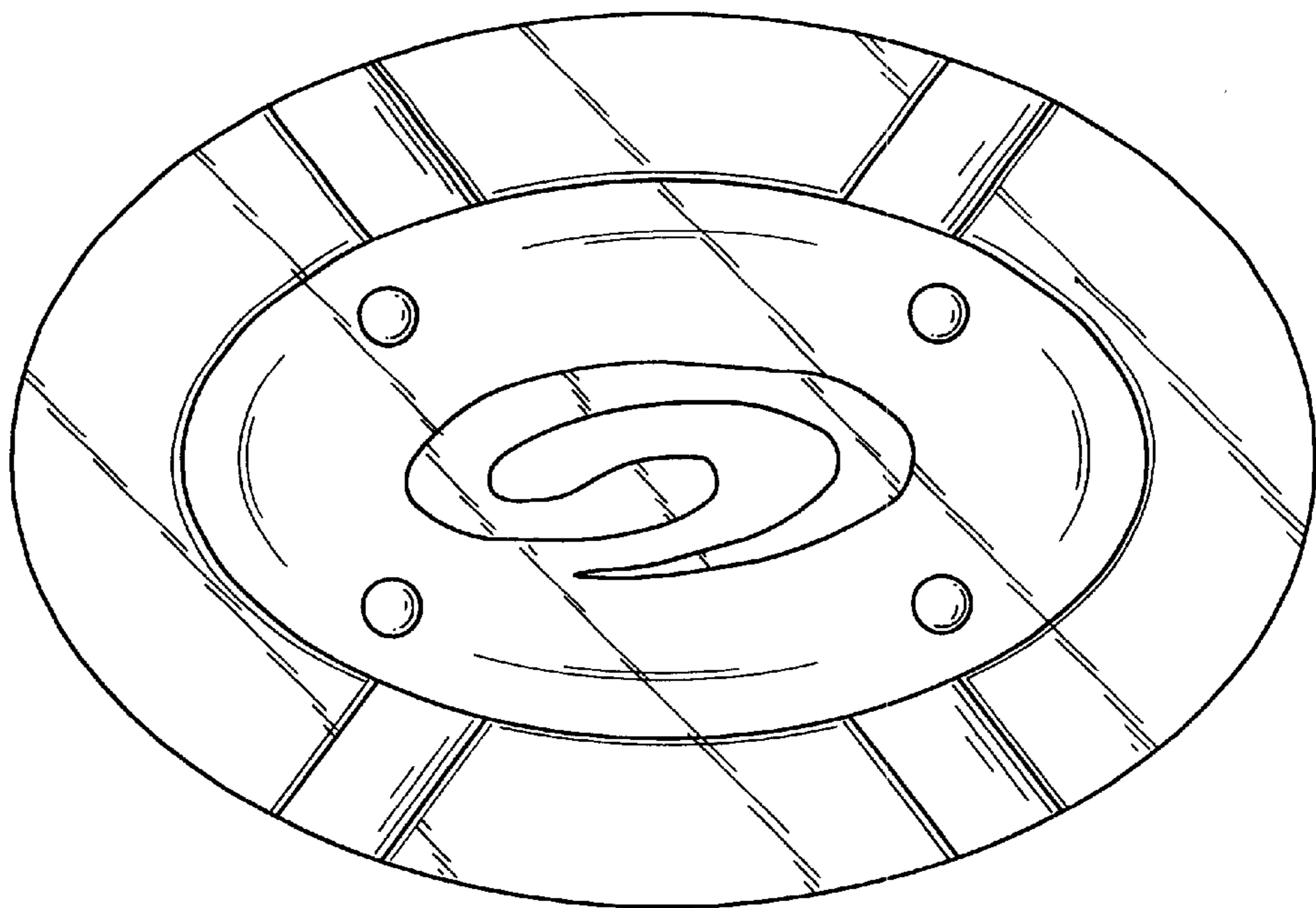


FIG. 5