



US00D453231S

(12) **United States Design Patent**
Swanson

(10) **Patent No.:** **US D453,231 S**

(45) **Date of Patent:** **** Jan. 29, 2002**

(54) **TORCHIERE TREE LAMP**

(74) *Attorney, Agent, or Firm*—Fulbright & Jaworski L.L.P.

(75) **Inventor:** **Dennis K. Swanson**, Woodland Hills,
CA (US)

(57) **CLAIM**

The ornamental design for a torchiere tree lamp, substantially as shown and described.

(73) **Assignee:** **Lamps Plus, Inc.**, Chatsworth, CA
(US)

DESCRIPTION

(**) **Term:** **14 Years**

FIG. 1 is a perspective view of a torchiere tree lamp showing the design of the present invention; the portion shown in broken lines is to illustrate the environment of the design and forms no part thereof;

(21) **Appl. No.:** **29/135,830**

FIG. 2 is an enlarged front elevational view of the general area lighting portion thereof, shown separately clarity;

(22) **Filed:** **Jan. 10, 2001**

(51) **LOC (7) Cl.** **26-03**

(52) **U.S. Cl.** **D26/102**

(58) **Field of Search** D26/61-65, 93-112,
D26/128-137; 362/410-414, 431, 326,
329, 334, 335, 340, 351, 352, 355, 358

FIG. 3 is a left side view of FIG. 2; the right side is a mirror image except for the switch;

FIG. 4 is a top plan view of FIG. 2;

FIG. 5 is a bottom view of FIG. 2;

(56) **References Cited**

U.S. PATENT DOCUMENTS

D432,704 S * 10/2000 Swanson D26/110

FIG. 6 is an enlarged perspective view of one of the down lighting portions thereof shown separately for clarity, the other down light is a duplicate thereof;

FIG. 7 is a left side view of FIG. 6;

FIG. 8 is a right side view of FIG. 6;

FIG. 9 is a bottom view of FIG. 6; and,

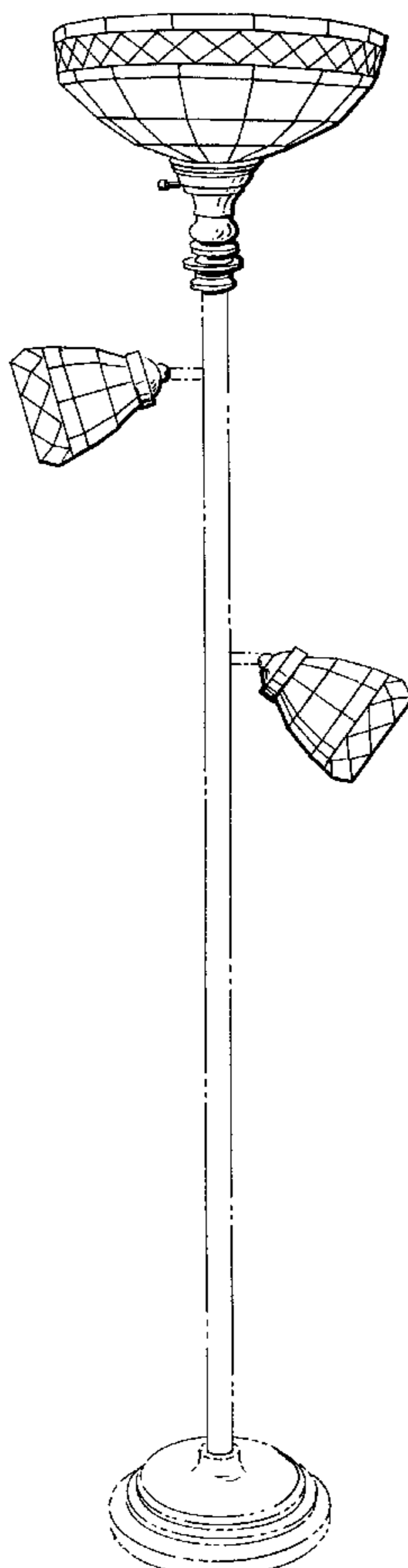
FIG. 10 is a top plan view of FIG. 6.

* cited by examiner

Primary Examiner—Alan P. Douglas

Assistant Examiner—Linda Brooks

1 Claim, 6 Drawing Sheets



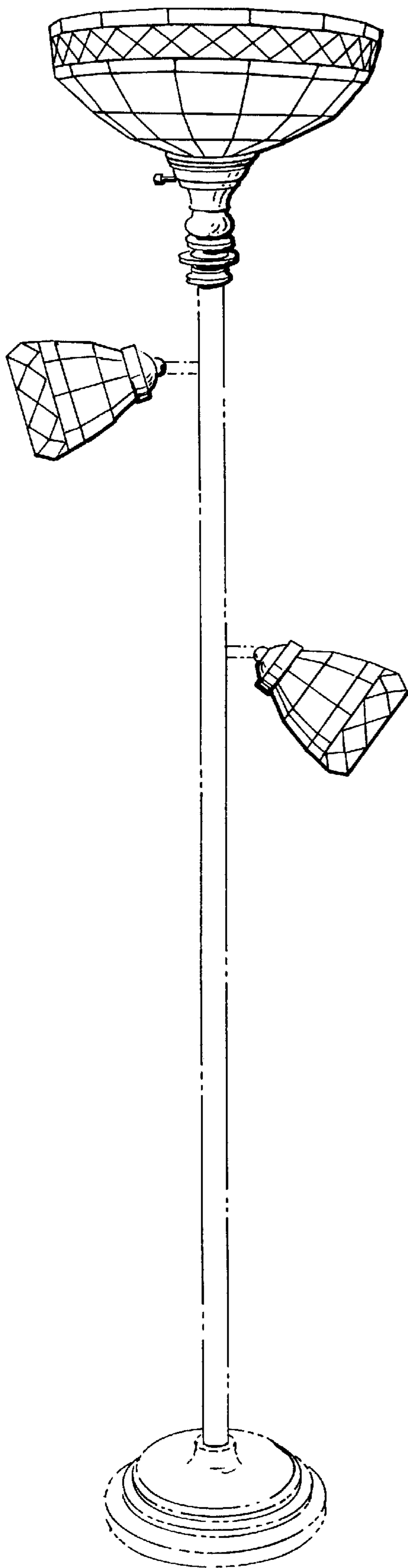


FIG. 1

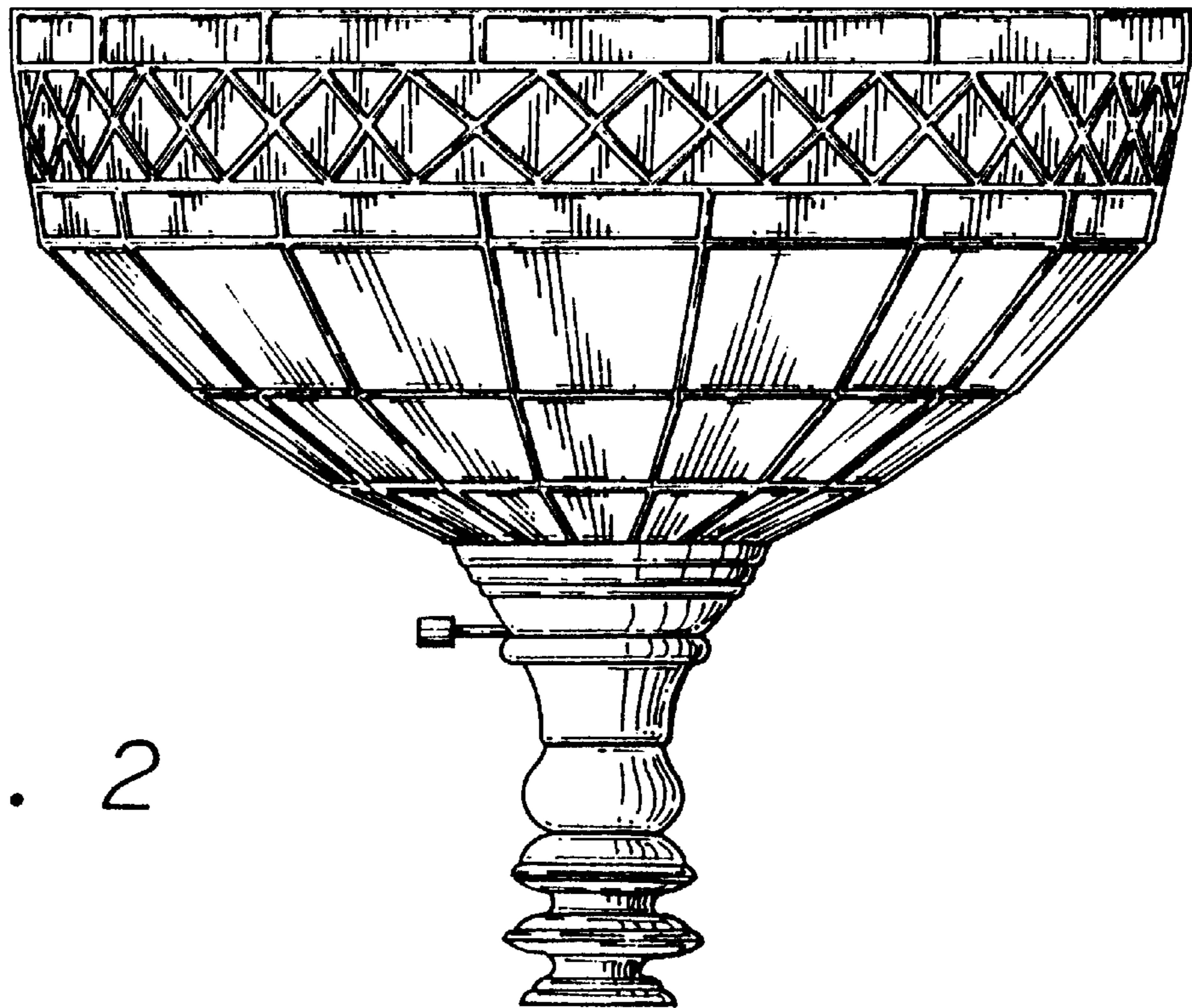


FIG. 2

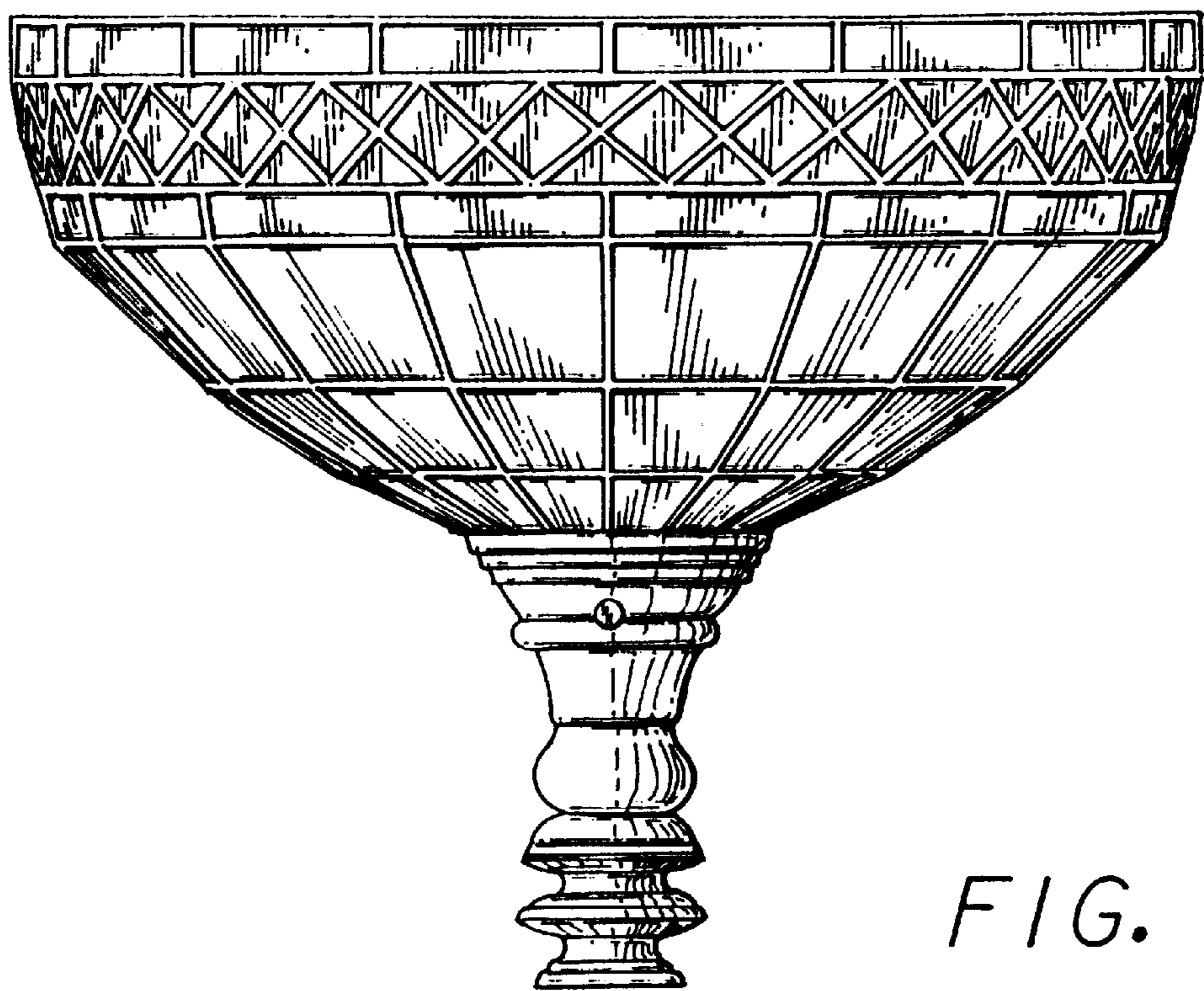


FIG. 3

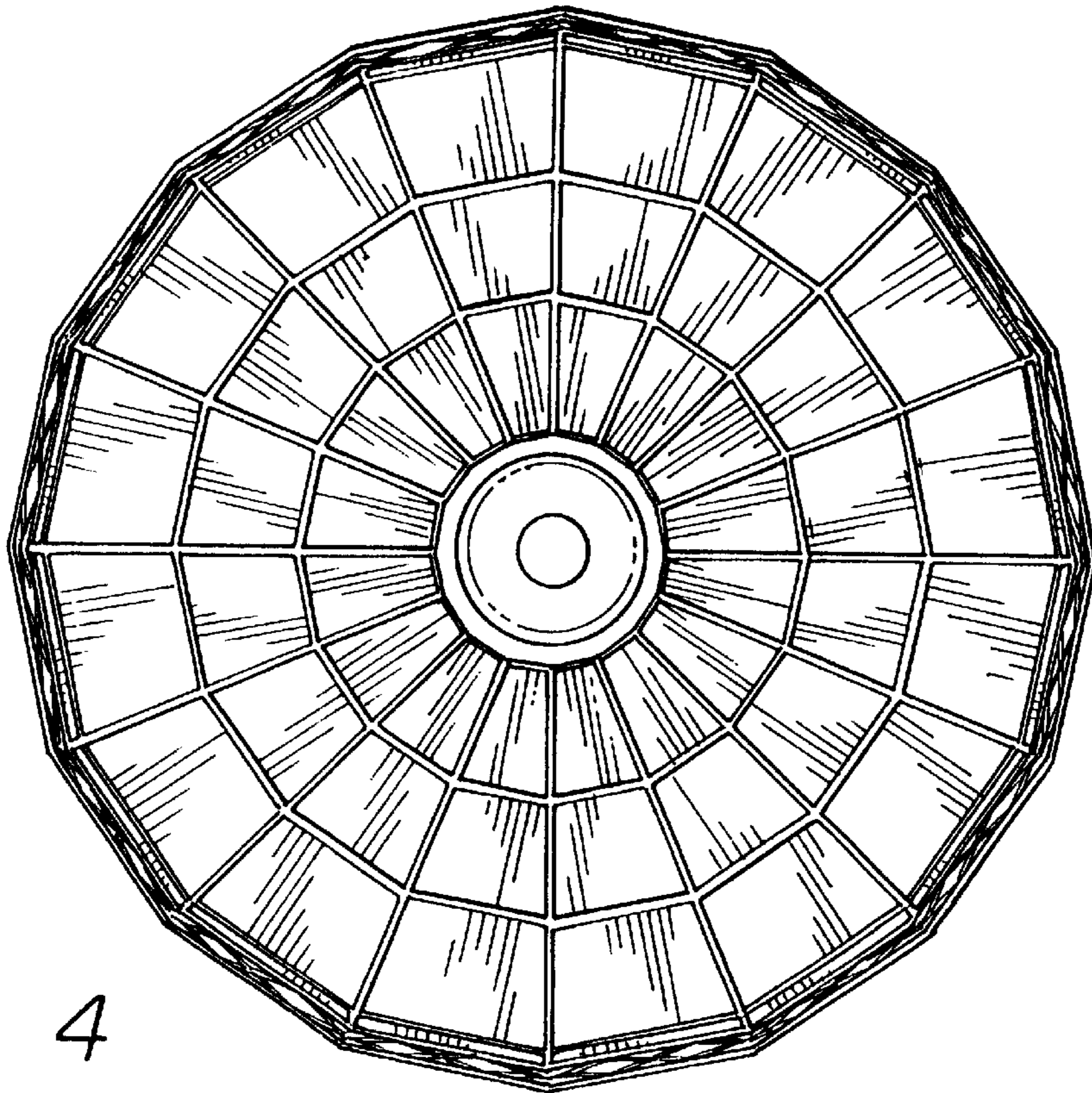


FIG. 4

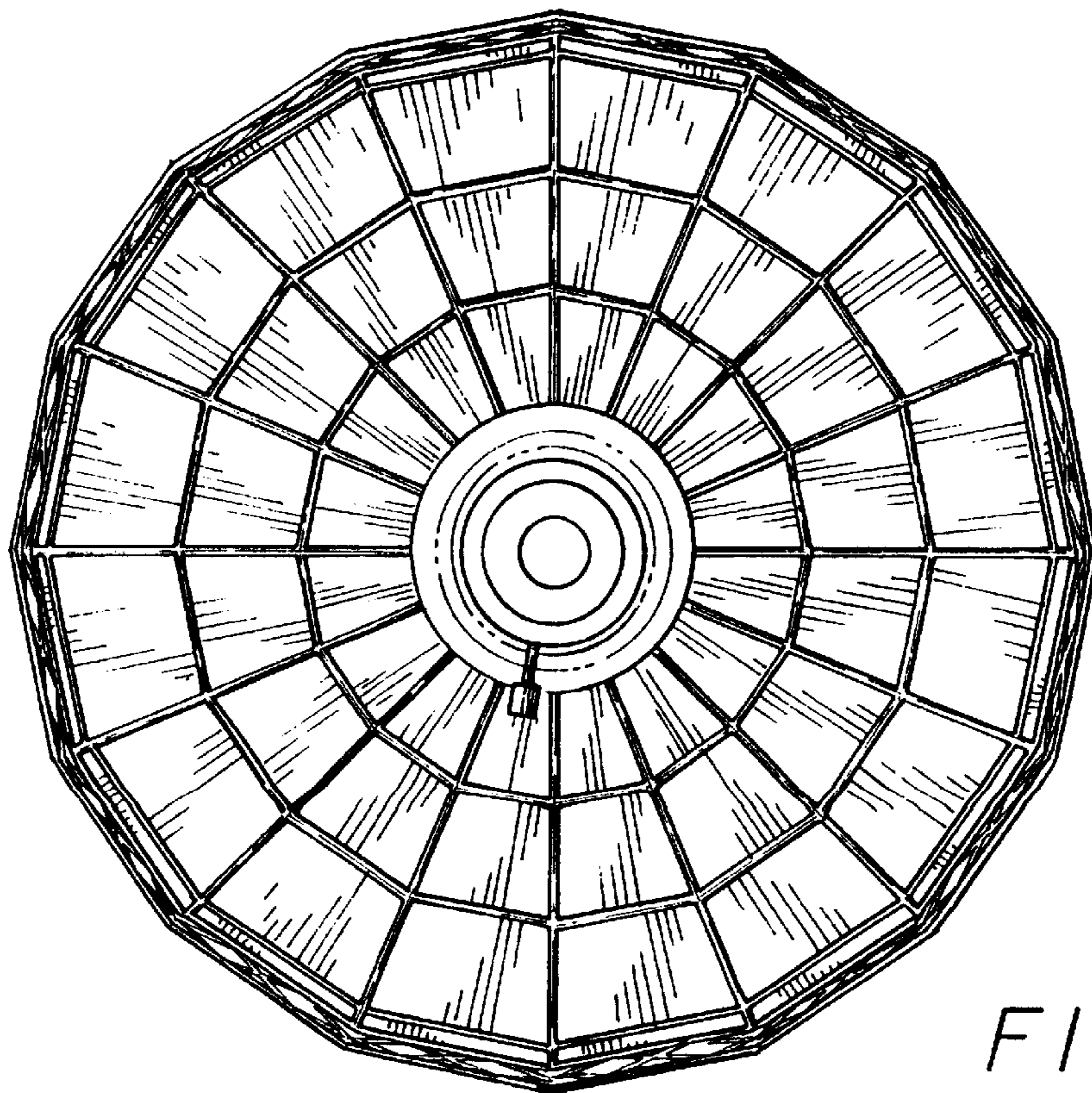


FIG. 5

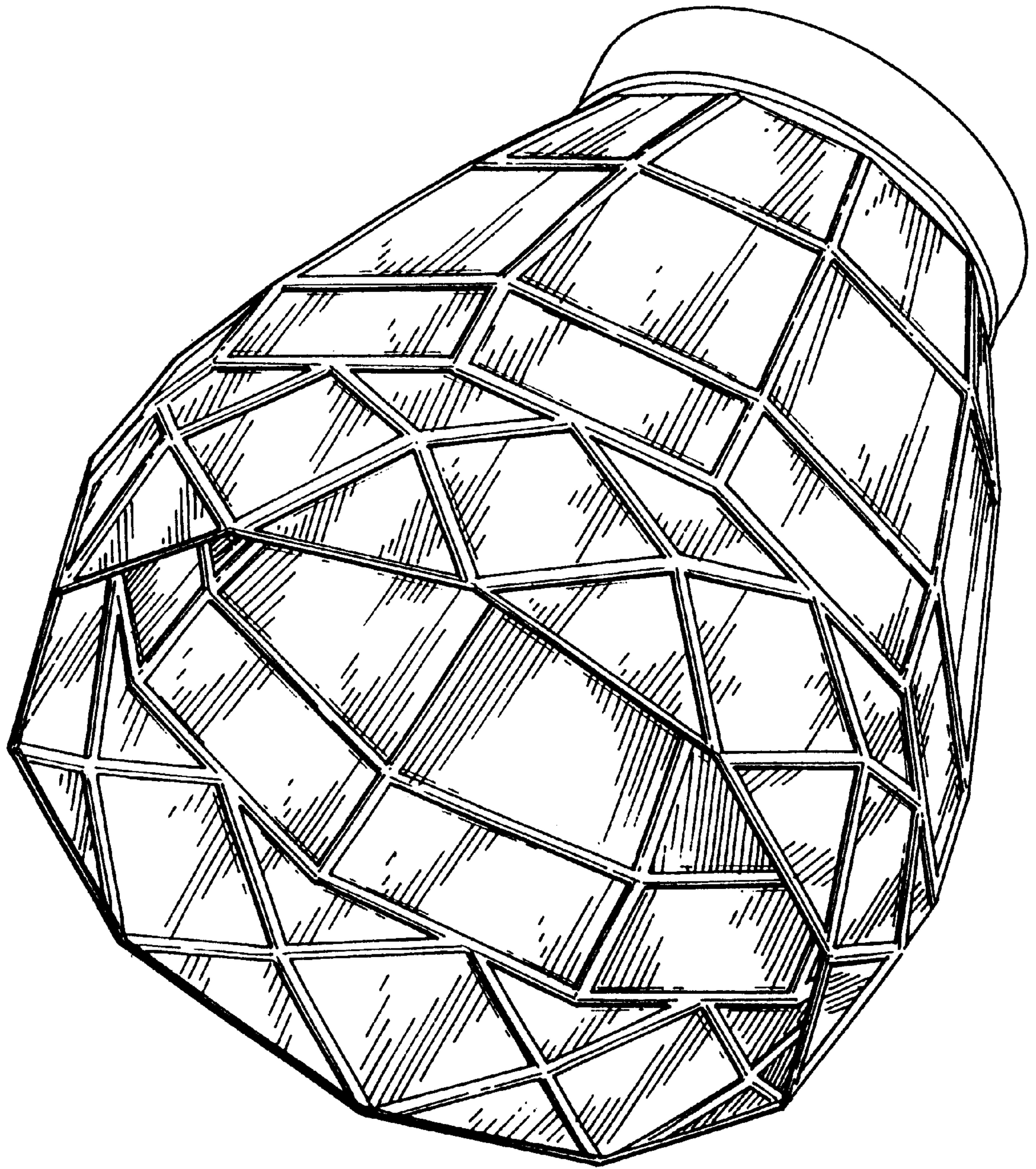


FIG. 6

FIG. 8

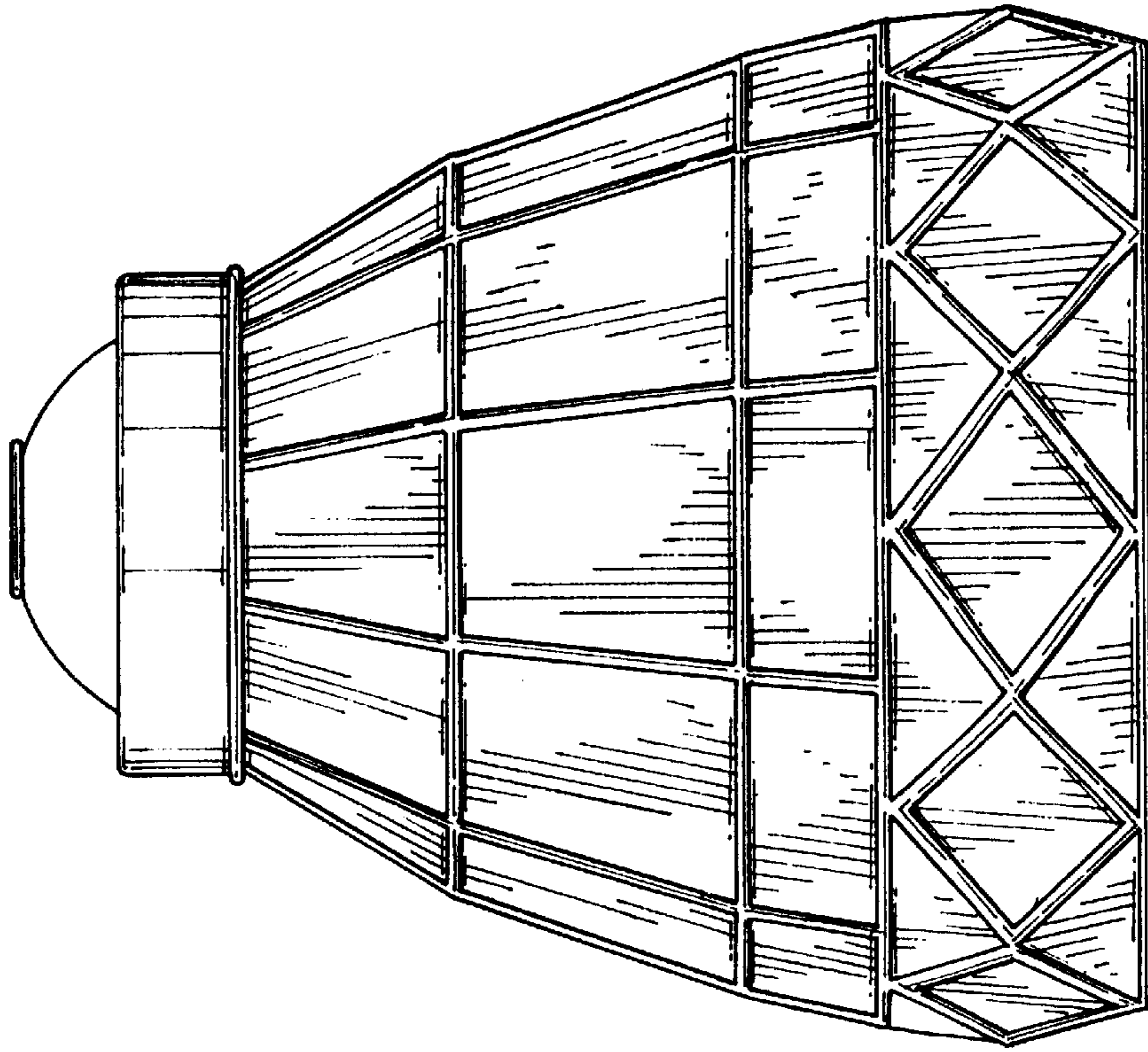
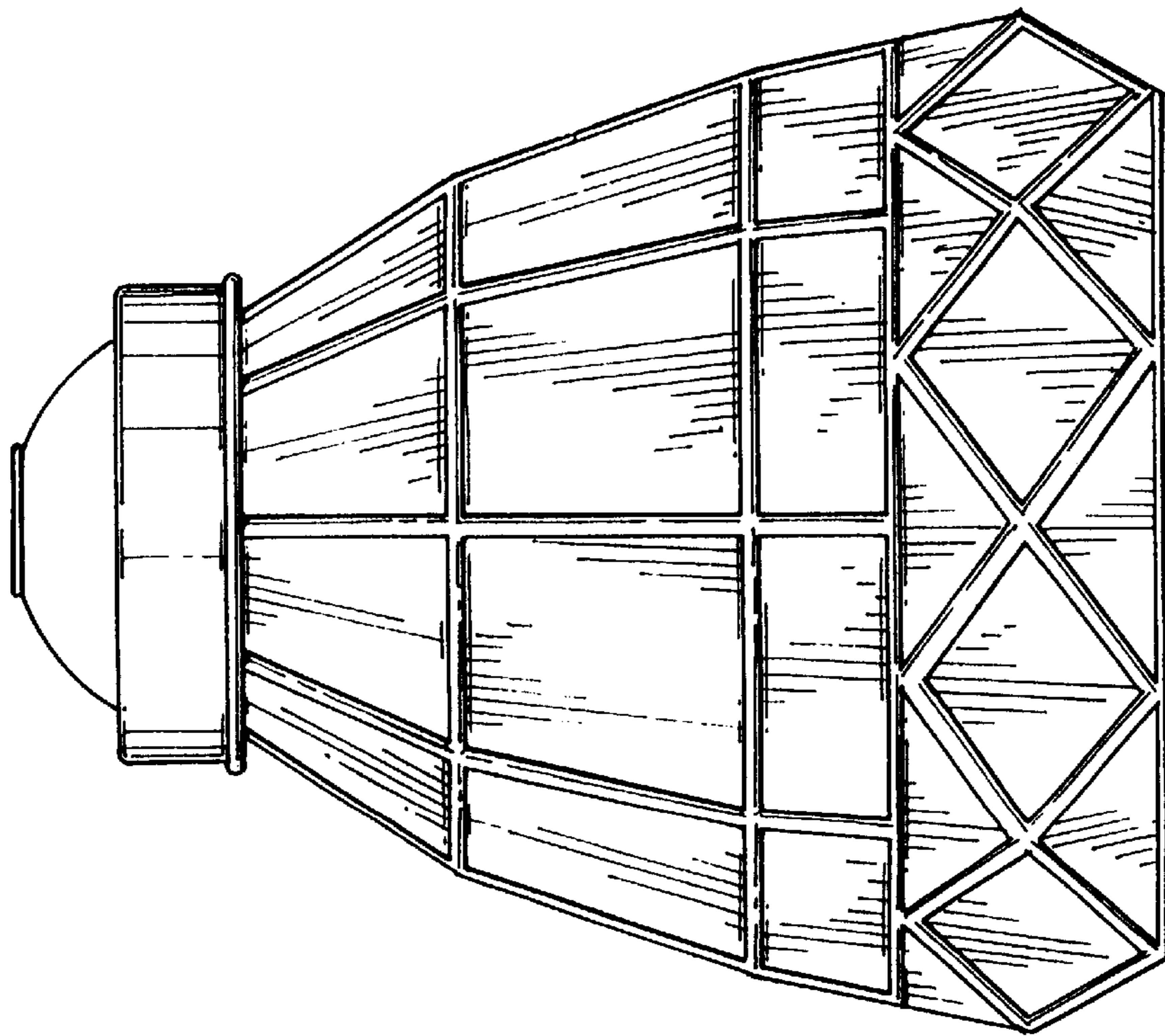


FIG. 7



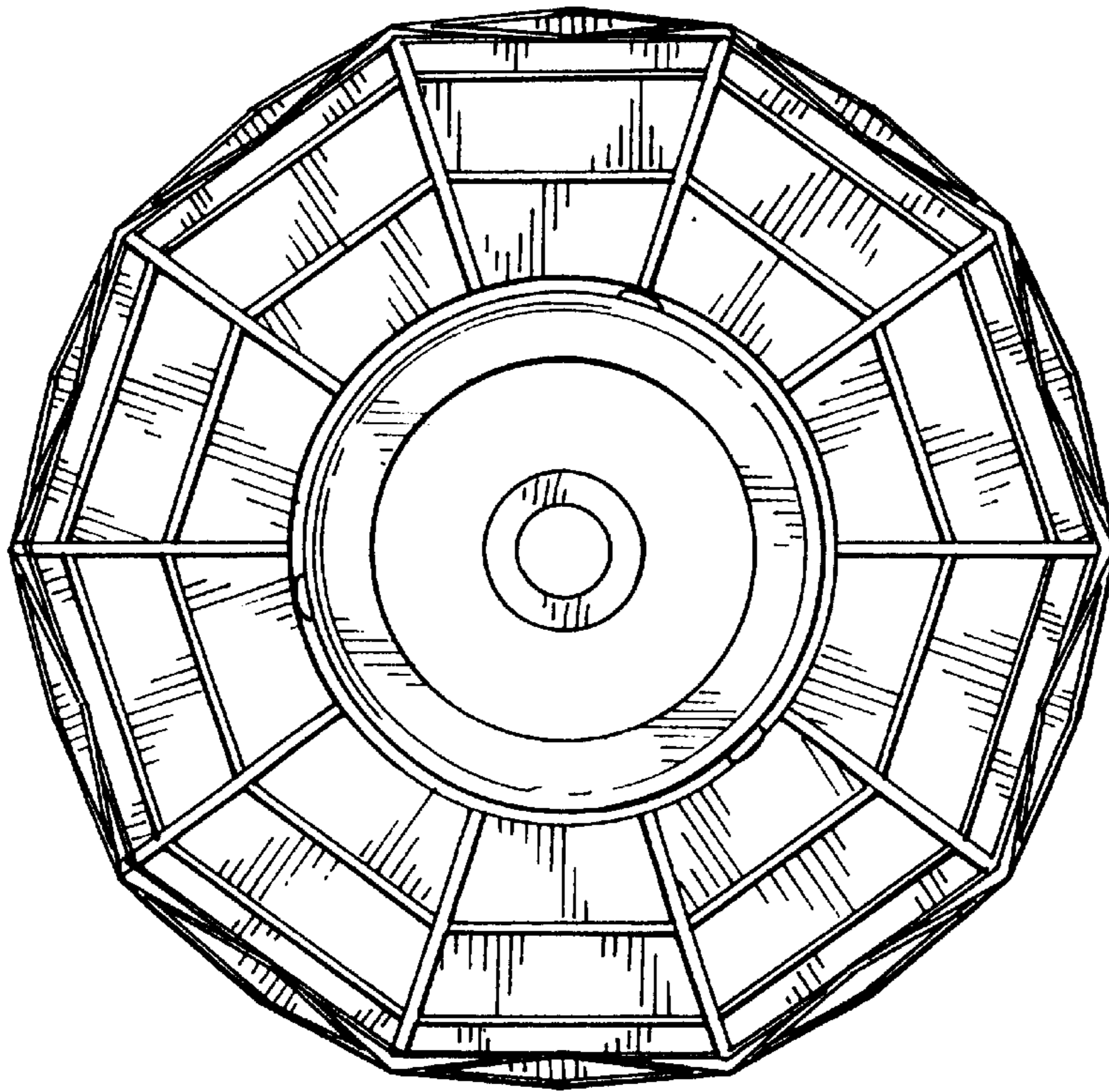


FIG. 10

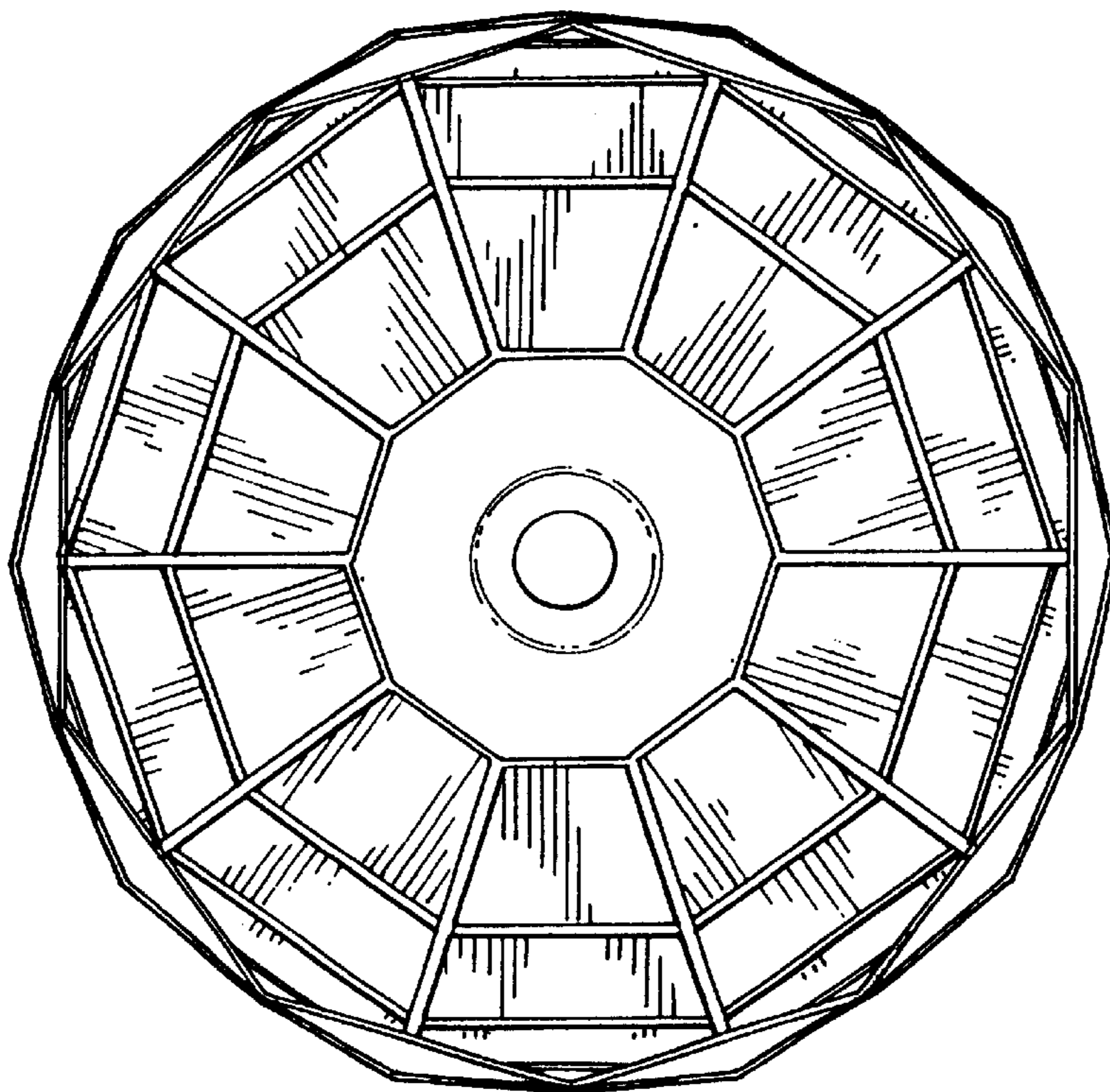


FIG. 9