



US00D453227S

(12) **United States Design Patent**  
**Lin**

(10) **Patent No.:** **US D453,227 S**

(45) **Date of Patent:** **\*\* Jan. 29, 2002**

(54) **ADJUSTABLE TRACKLIGHT**

D441,889 S \* 5/2001 Austin ..... D26/63  
D445,936 S \* 7/2001 Mier-Langner ..... D26/63

(76) Inventor: **Shan Chaing Lin**, No. 2, Lane 111, Ta  
Chu Road, Lu Chu Hsiang, Taoyuan  
Hsien (TW)

\* cited by examiner

(\*\*) Term: **14 Years**

*Primary Examiner*—Susan J. Lucas

(74) *Attorney, Agent, or Firm*—Troxell Law Office PLLC

(21) Appl. No.: **29/141,141**

(57) **CLAIM**

(22) Filed: **May 2, 2001**

The ornamental design for an adjustable tracklight, as  
Shown.

(51) **LOC (7) Cl.** ..... **26-05**

**DESCRIPTION**

(52) **U.S. Cl.** ..... **D26/63**

(58) **Field of Search** ..... D26/60–66; 362/269,  
362/270, 215, 278, 281, 283, 284, 285,  
287, 289, 401, 402, 427, 423

FIG. 1 is a front perspective view of an adjustable tracklight  
showing my new design;

FIG. 2 is a front elevational view thereof;

FIG. 3 is a rear elevational view thereof;

FIG. 4 is a left side elevational view thereof;

FIG. 5 is a right side elevational view thereof;

FIG. 6 is a top plan view thereof; and,

FIG. 7 is a bottom plan view thereof.

(56) **References Cited**

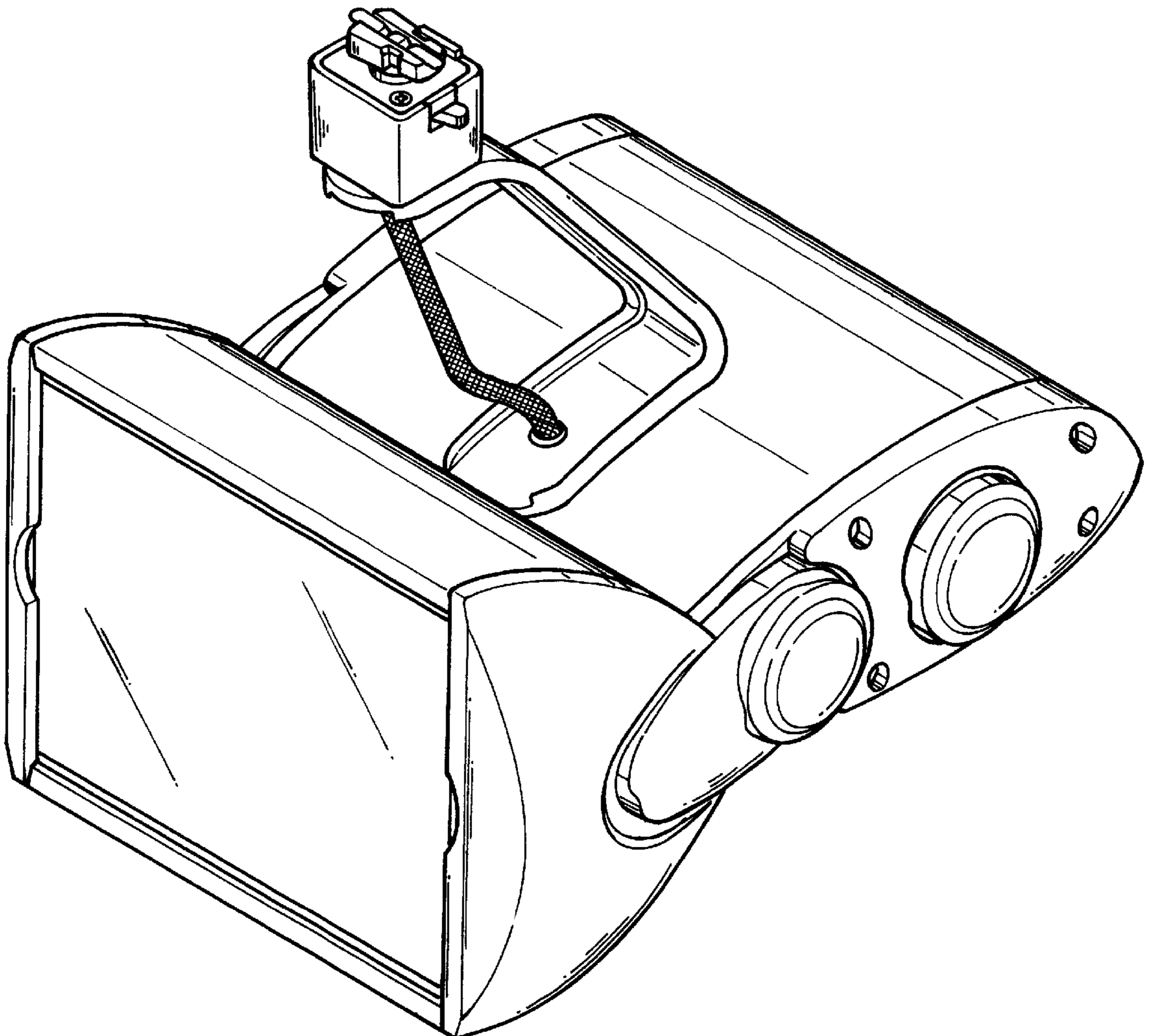
**U.S. PATENT DOCUMENTS**

D355,501 S \* 2/1995 Roos et al. .... D26/63

D436,678 S \* 1/2001 Mier-Langner ..... D26/63

D439,355 S \* 3/2001 Ford ..... D26/63

**1 Claim, 7 Drawing Sheets**



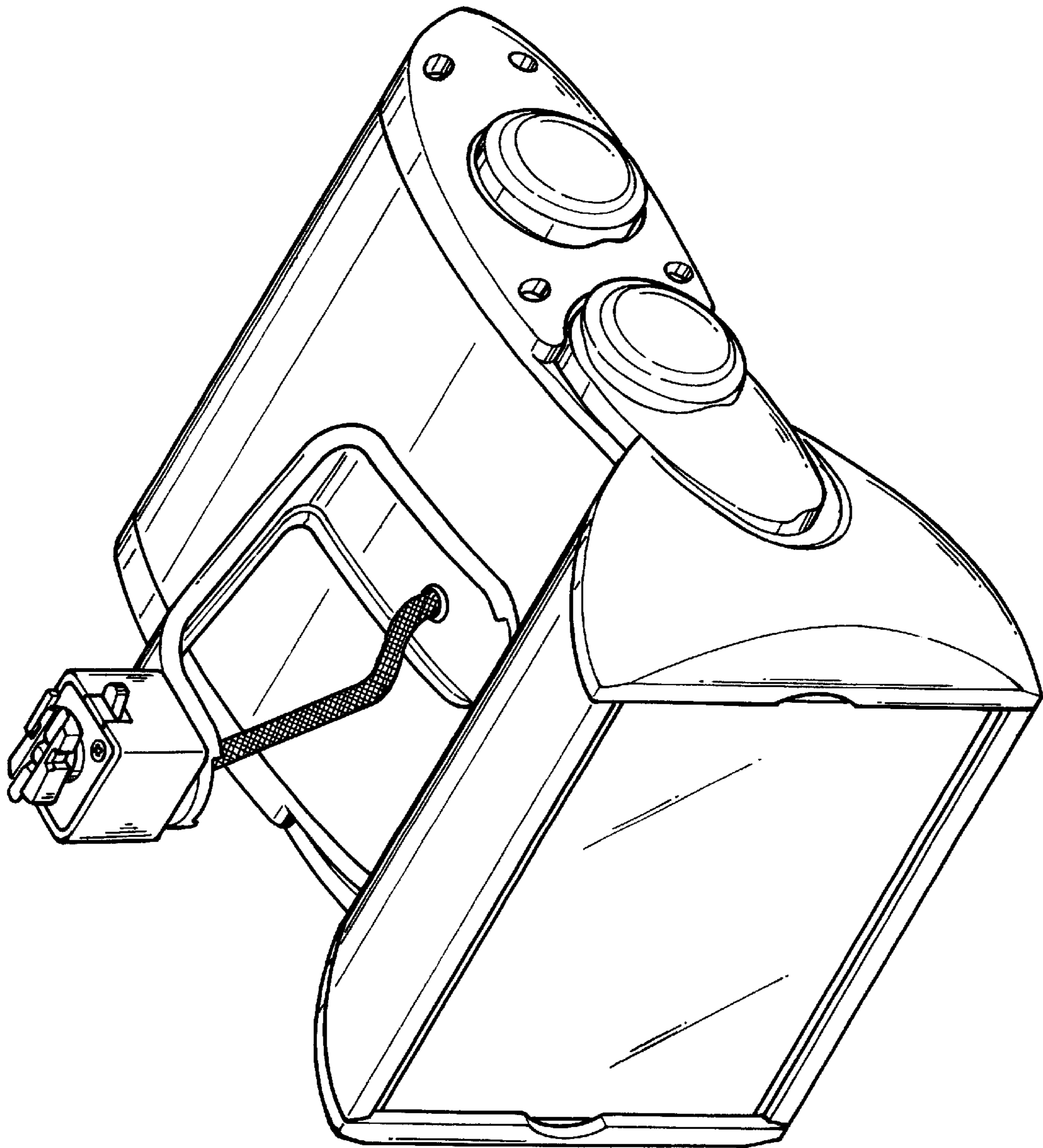


FIG.1

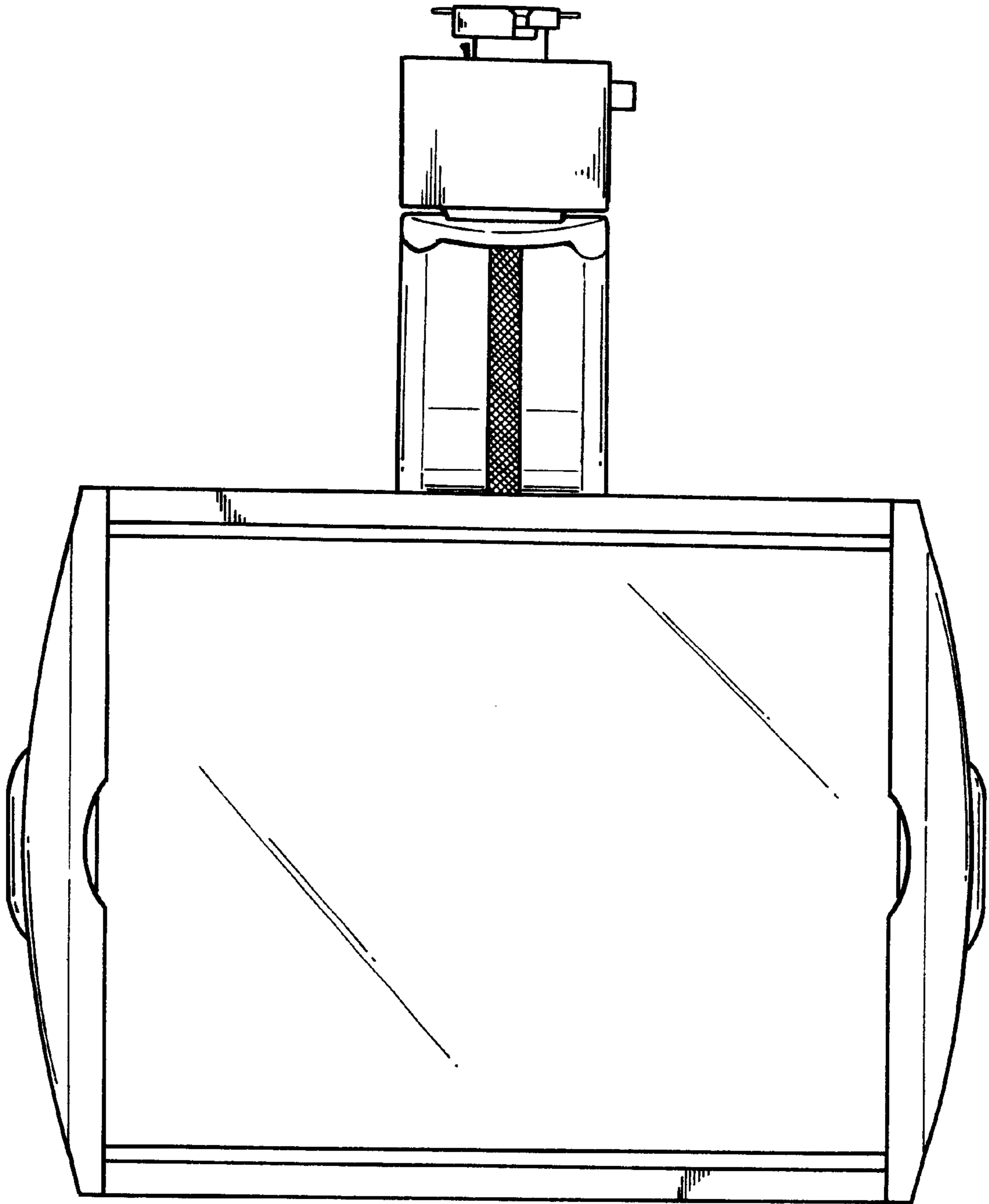


FIG. 2

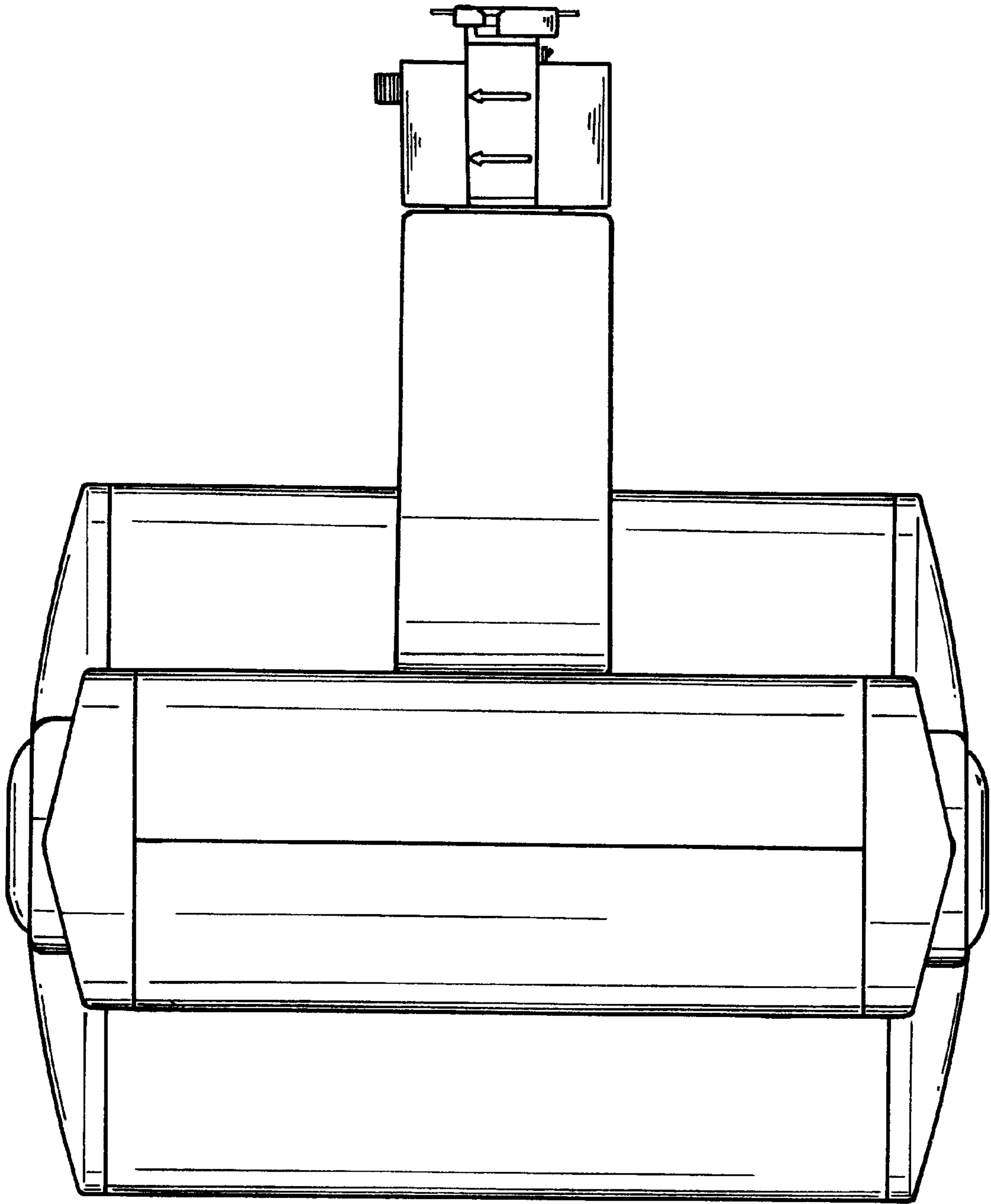


FIG. 3

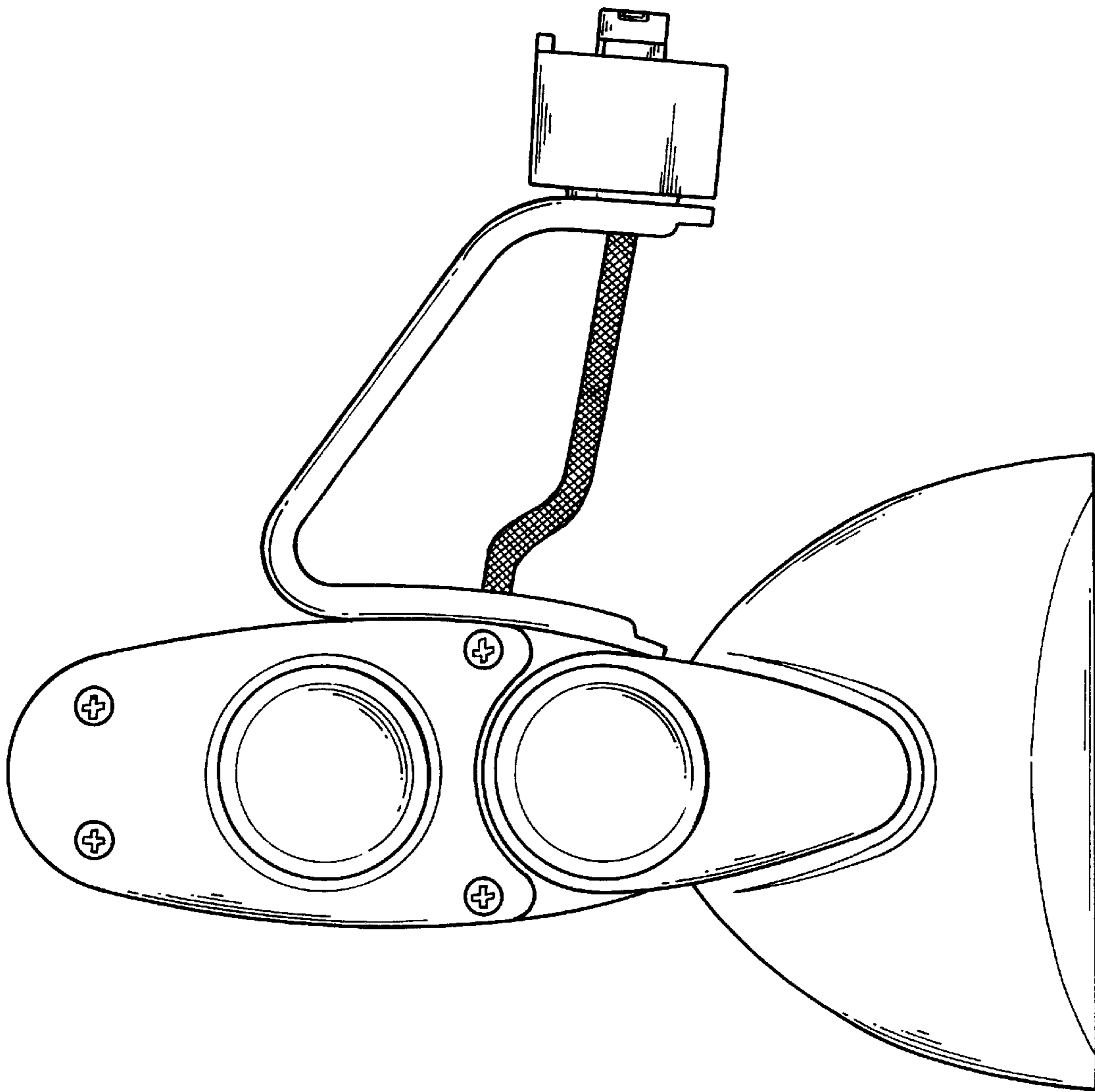


FIG. 4

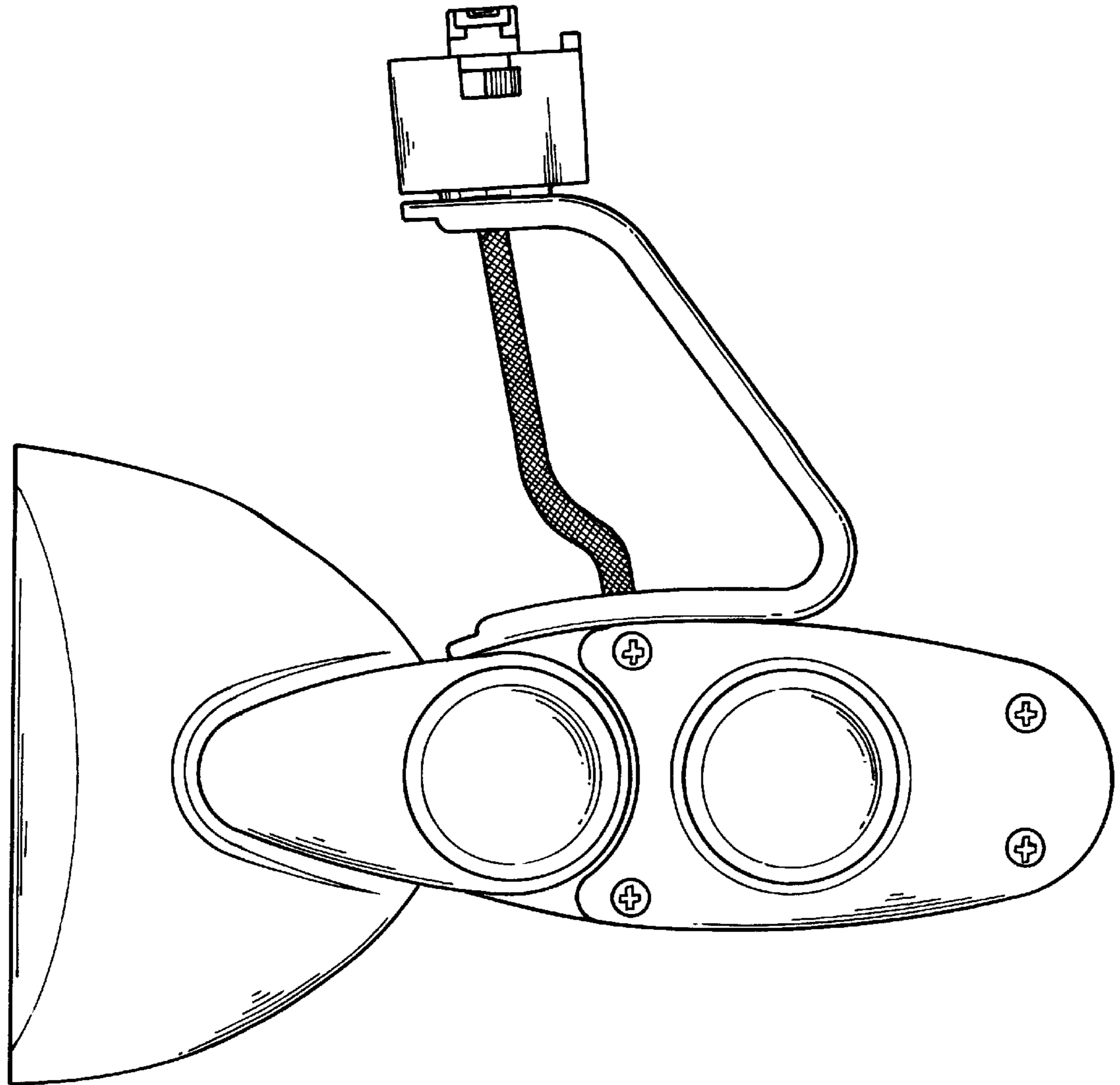


FIG. 5

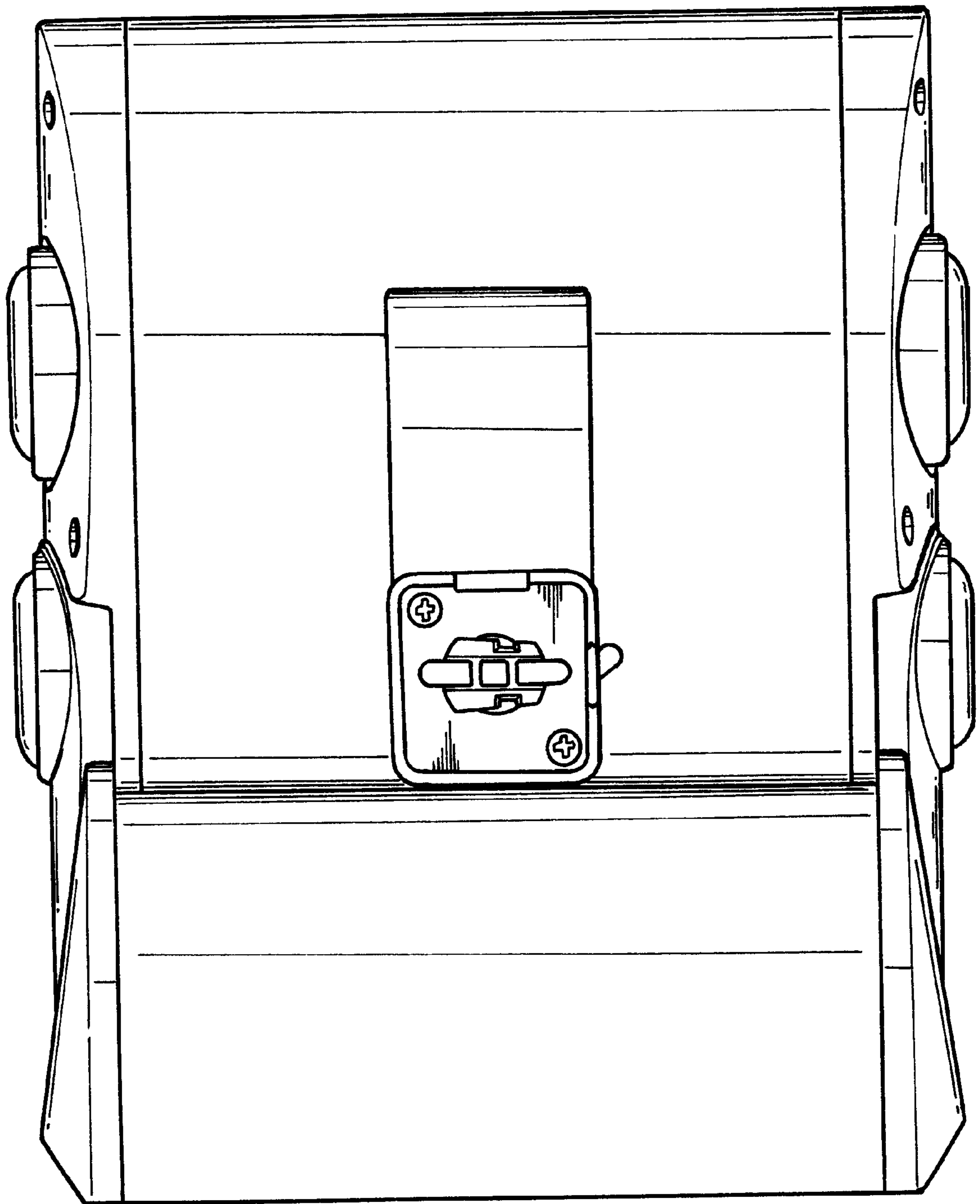


FIG. 6

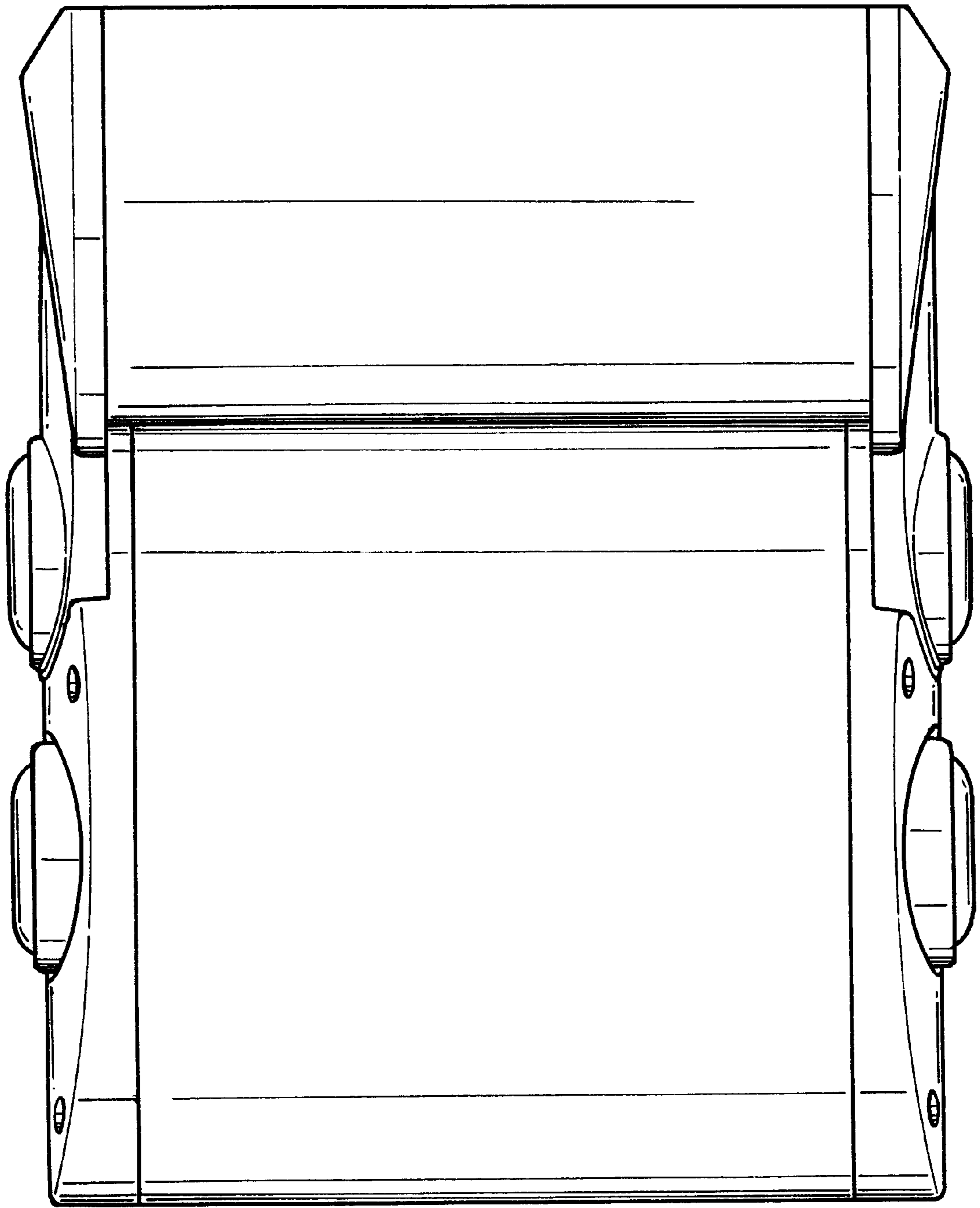


FIG. 7