



US00D453226S

(12) **United States Design Patent**
Huang

(10) **Patent No.:** **US D453,226 S**

(45) **Date of Patent:** **** Jan. 29, 2002**

(54) **SUPPORT FRAME OF A TABLE LAMP**

D442,310 S * 5/2001 Huang D26/65

(75) Inventor: **Huo-Tu Huang**, Taipei Hsien (TW)

* cited by examiner

(73) Assignee: **Huangslite Industrial Co., Ltd.**, Taipei Hsien (TW)

Primary Examiner—Susan J. Lucas

(74) *Attorney, Agent, or Firm*—Bacon & Thomas, PLLC

(**) Term: **14 Years**

(57) **CLAIM**

The ornamental design for support frame of a table lamp, as shown and described.

(21) Appl. No.: **29/140,011**

DESCRIPTION

(22) Filed: **Apr. 11, 2001**

(51) **LOC (7) Cl.** **26-05**

(52) **U.S. Cl.** **D26/61**

(58) **Field of Search** D26/60-66; 362/269, 362/270, 275, 277, 278, 281, 283, 284, 285, 287, 289, 401, 402, 427, 423

FIG. 1. is a top, front right side perspective view thereof;
FIG. 2. is a front elevational view thereof;
FIG. 3. is a rear elevational view thereof;
FIG. 4. is a left elevational view thereof;
FIG. 5. is a elevational view thereof;
FIG. 6. is a top plan view thereof;
FIG. 7. is a bottom plan view thereof; and,
FIG. 8 is a perspective view of the support frame of a table lamp, the broken lines being shown for illustrative purposes only.

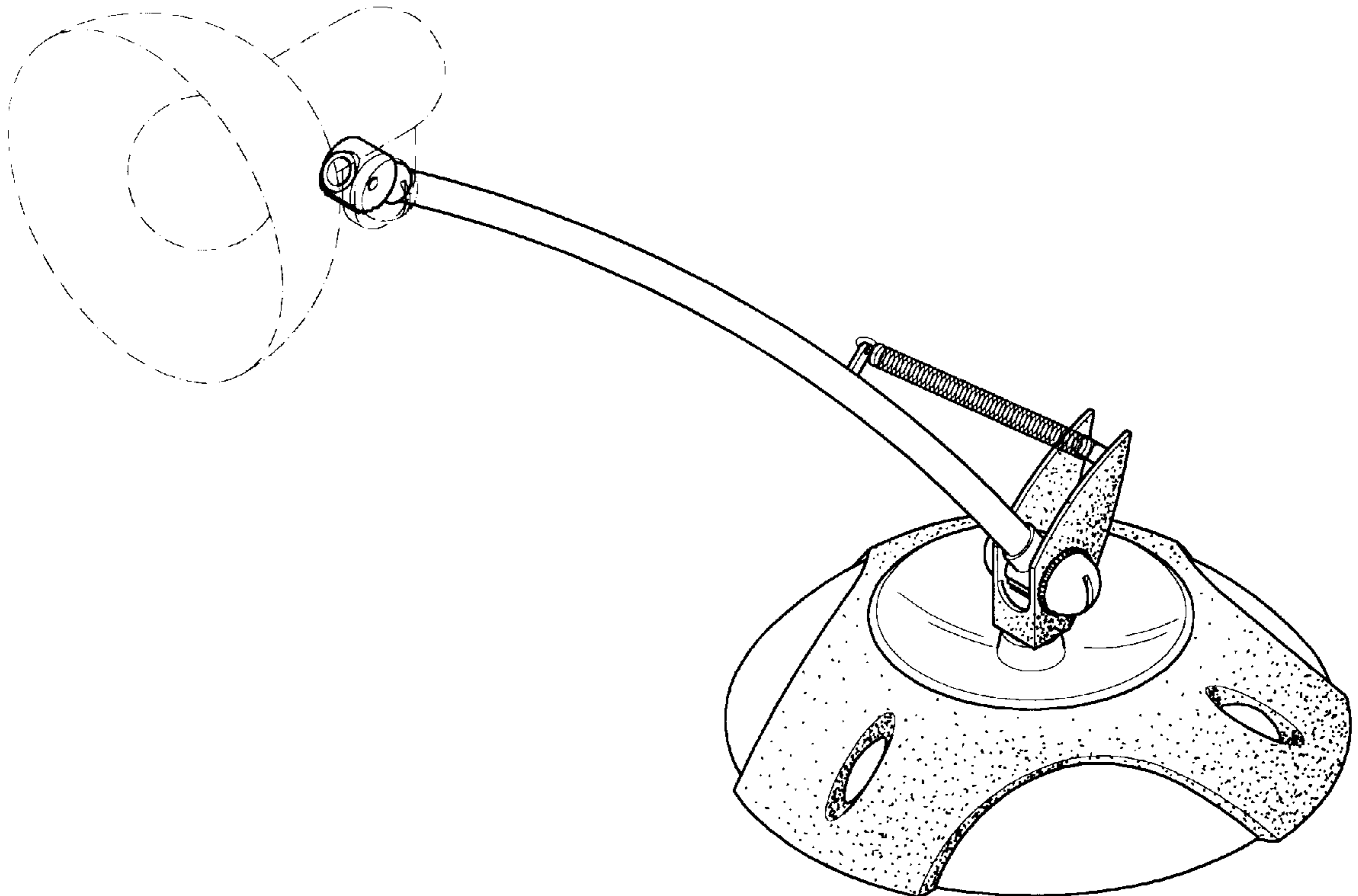
(56) **References Cited**

U.S. PATENT DOCUMENTS

D405,903 S * 2/1999 Lin D26/63

D441,114 S * 4/2001 Chen D26/63

1 Claim, 8 Drawing Sheets



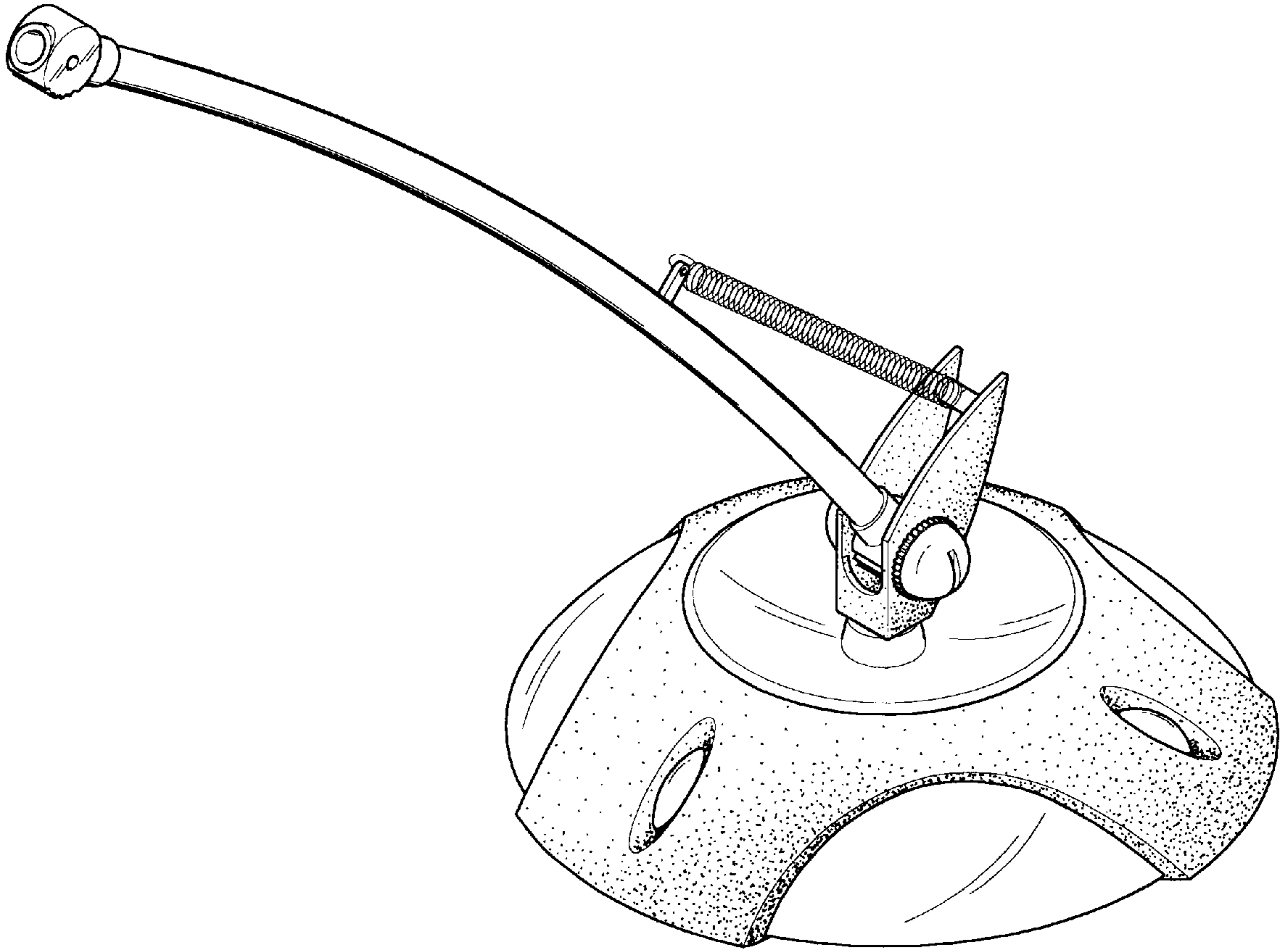


FIG.1

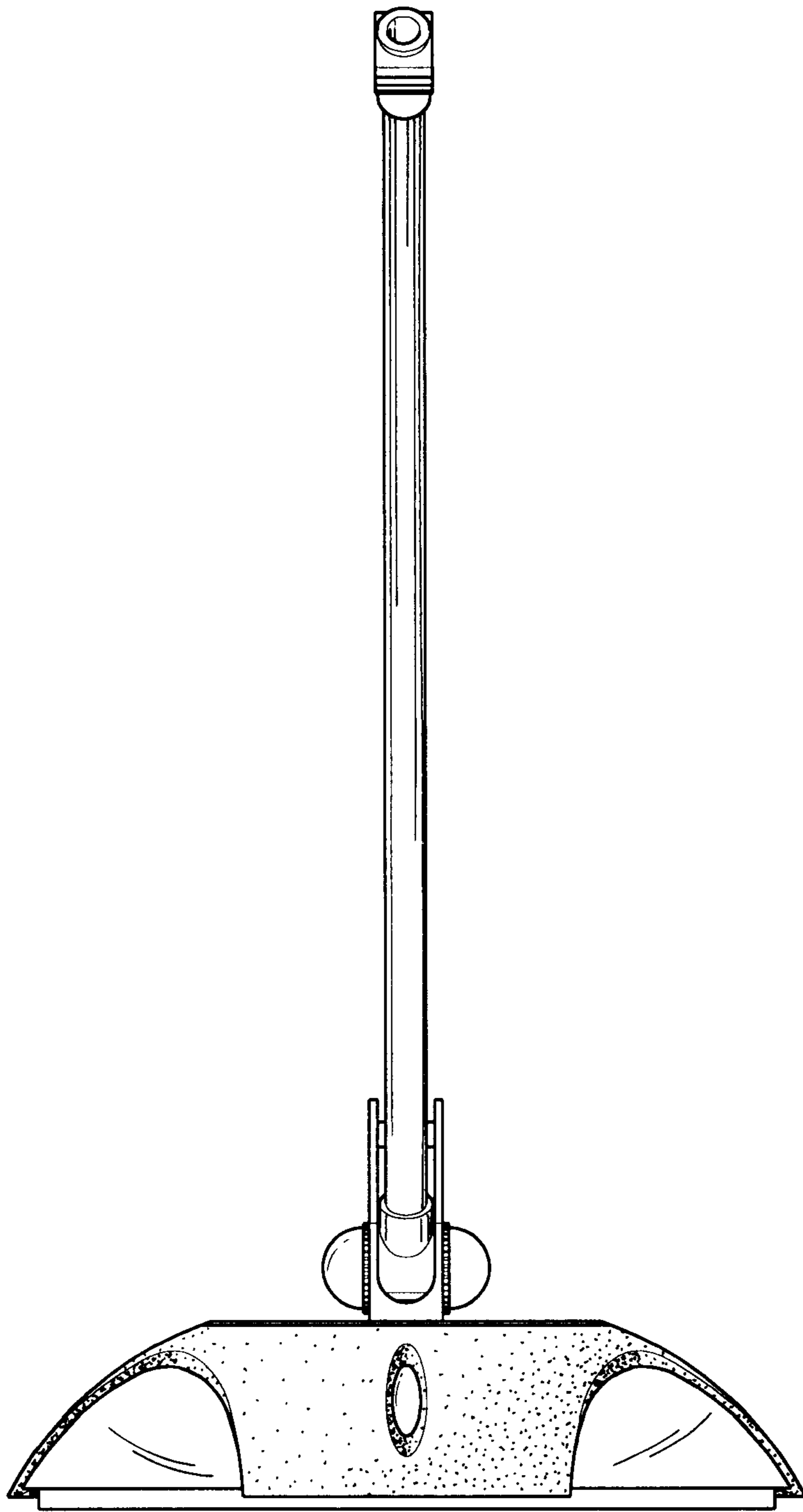


FIG.2

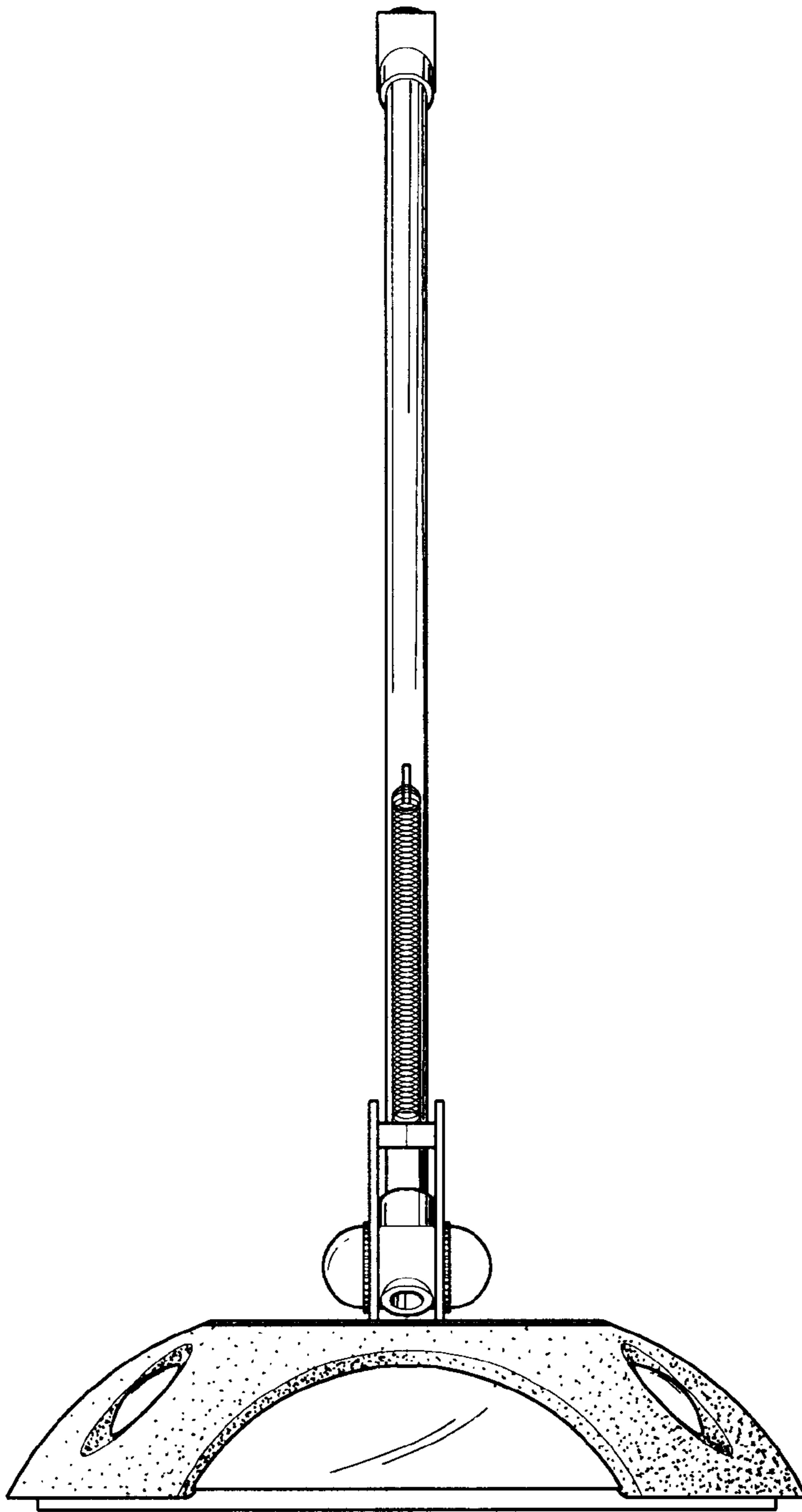


FIG. 3

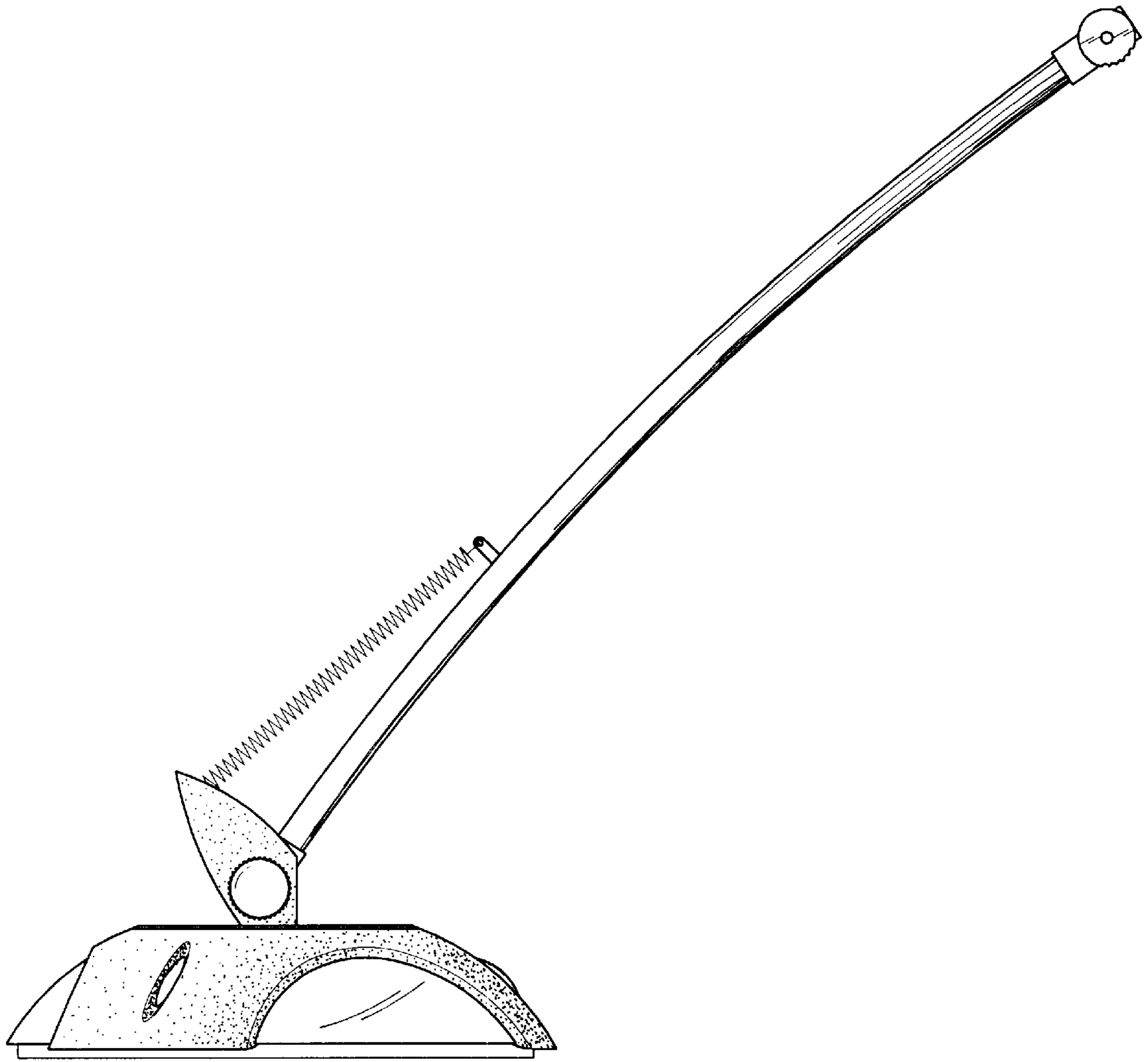


FIG.4

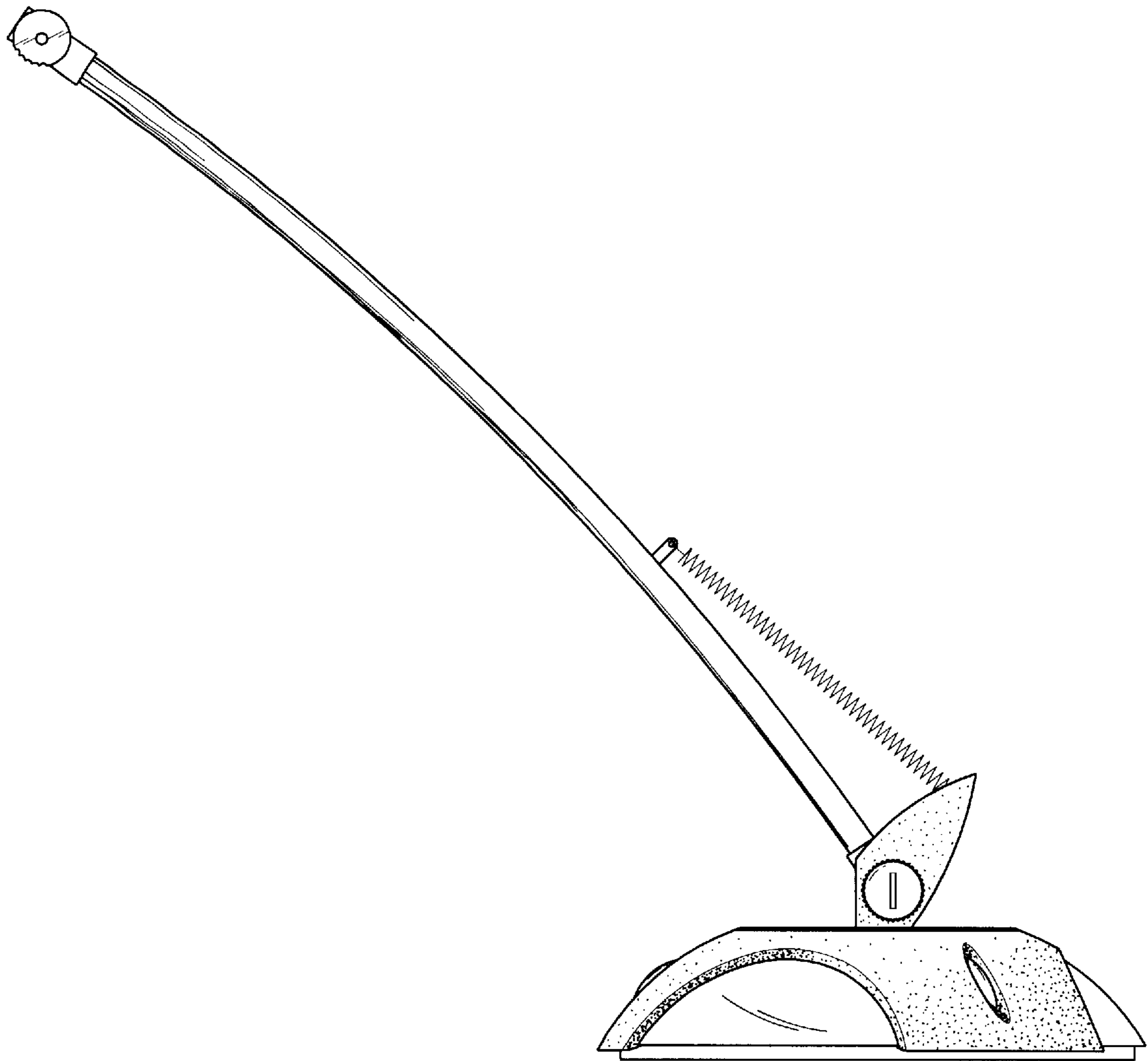


FIG.5

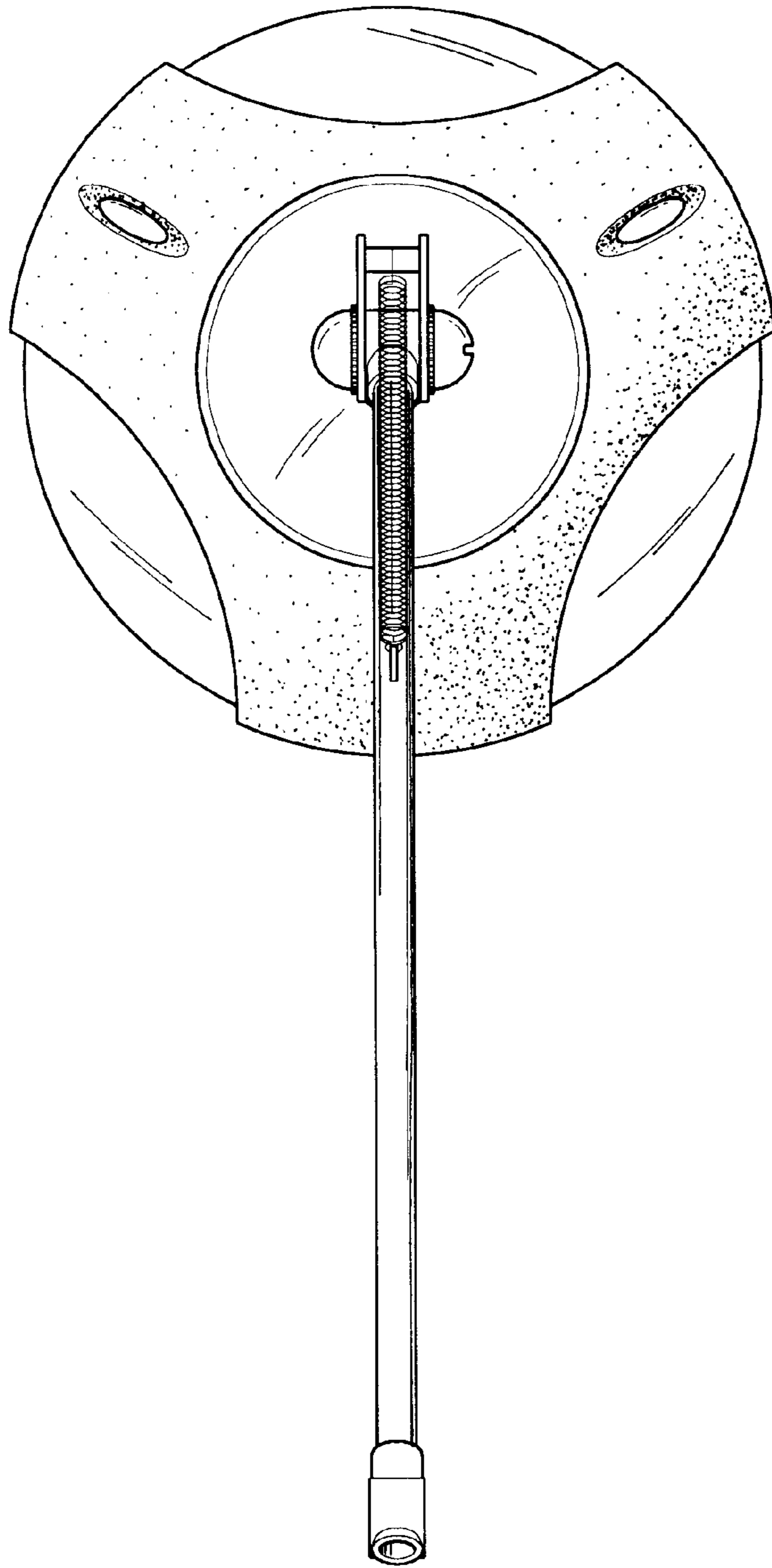


FIG.6

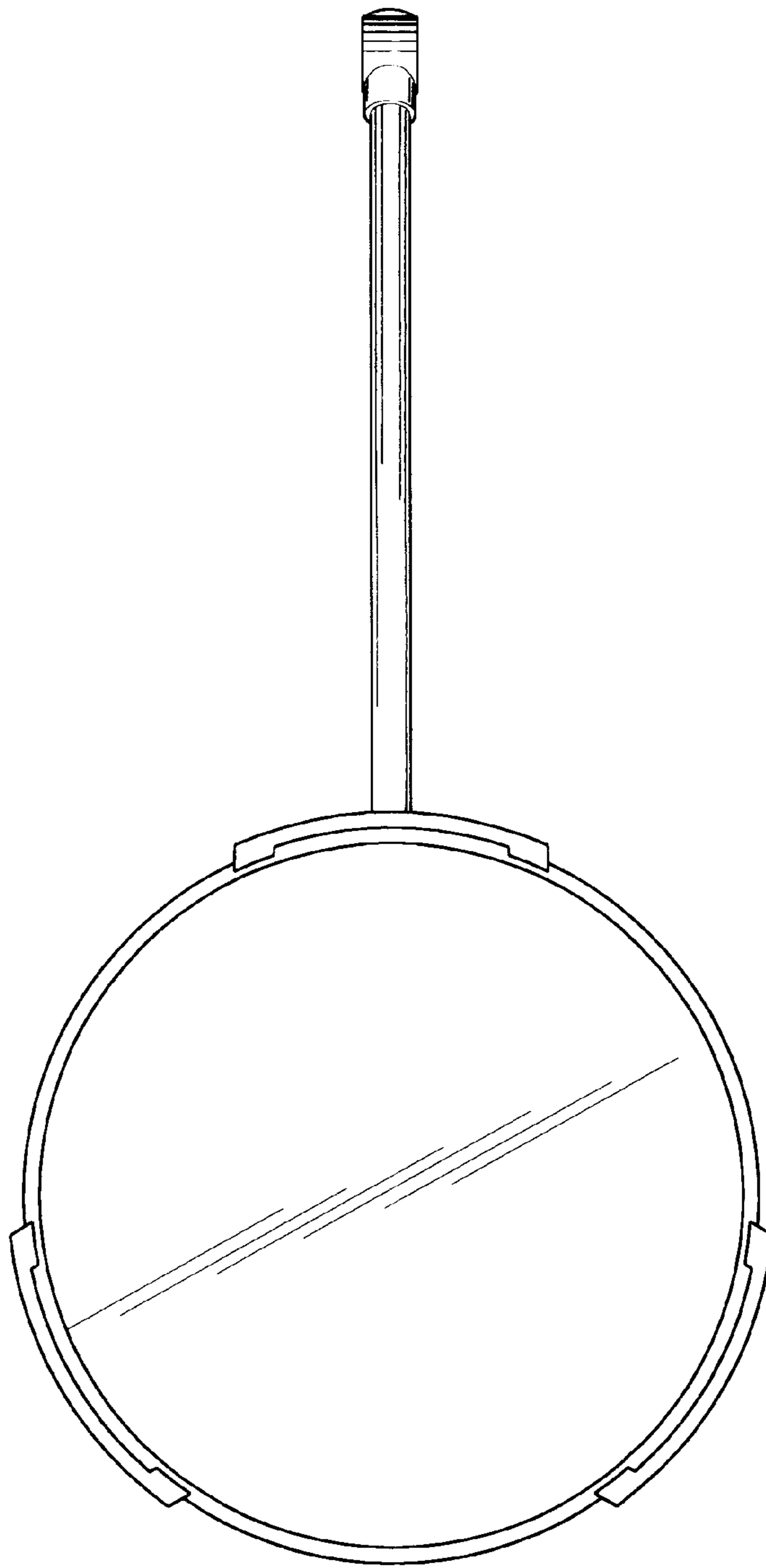


FIG. 7

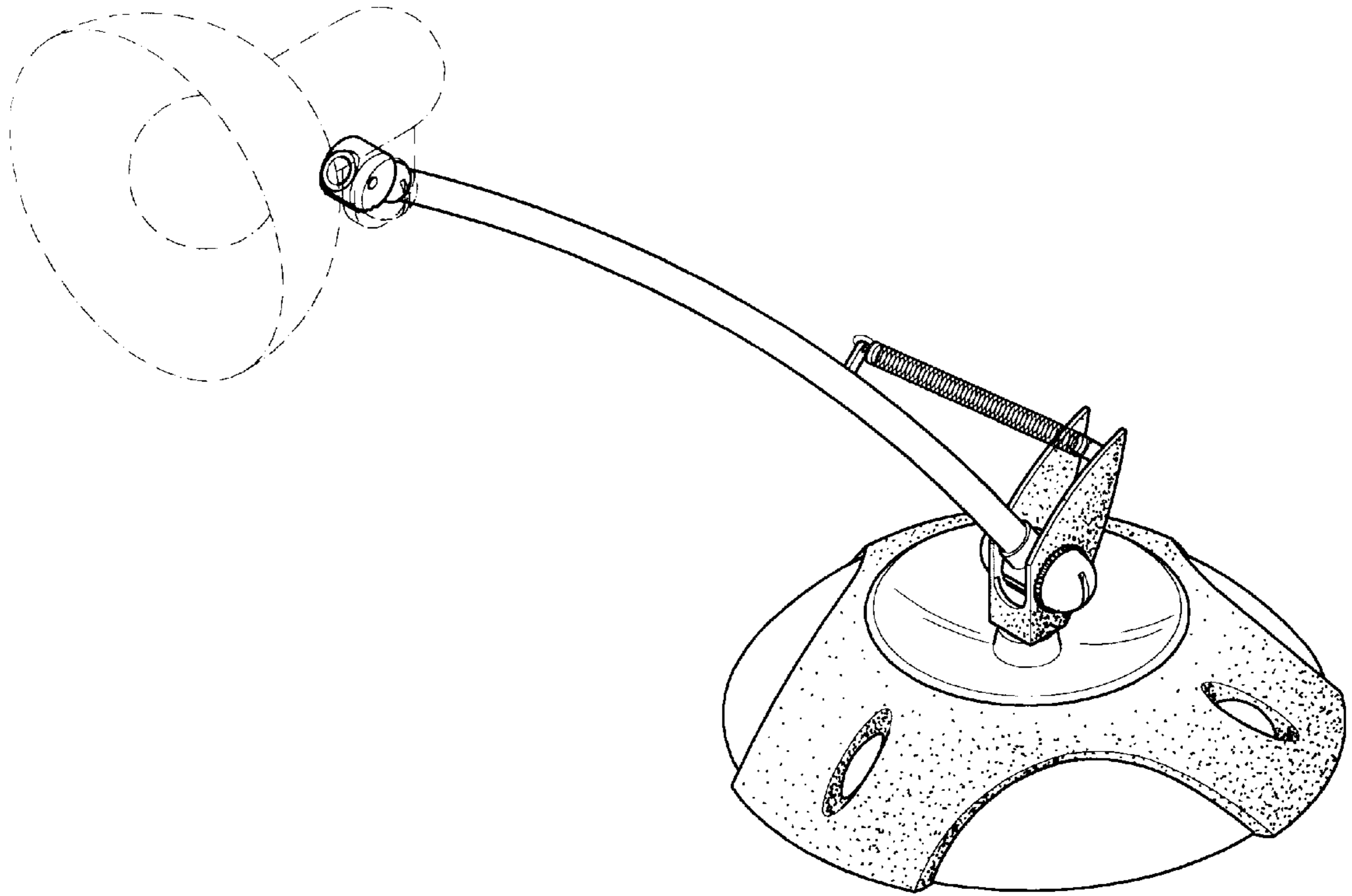


FIG.8