



US00D453225S

(12) **United States Design Patent**  
**Andexler**

(10) **Patent No.:**

**US D453,225 S**

(45) **Date of Patent:**

**\*\* Jan. 29, 2002**

(54) **DOMED MANHOLE PROTECTOR**

\* cited by examiner

(76) Inventor: **Roxann Andexler**, 72 Brighton Dr.,  
Akron, OH (US) 44301

*Primary Examiner*—Doris Clark

(\*\*) Term: **14 Years**

(57) **CLAIM**

(21) Appl. No.: **29/139,199**

I claim the ornamental design for a domed manhole protector, as shown and described.

(22) Filed: **Mar. 28, 2001**

**DESCRIPTION**

(51) **LOC (7) Cl.** ..... **25-02**

FIG. 1 is an exploded perspective view of a domed manhole protector, showing my new design;

(52) **U.S. Cl.** ..... **D25/36**

FIG. 2 is a front elevational view thereof, the rear elevational view, the right side elevational view and the left side elevational view being identical to this Figure;

(58) **Field of Search** ..... D25/36; 52/19-21;  
404/25-26

FIG. 3 is a top plan view thereof; and,

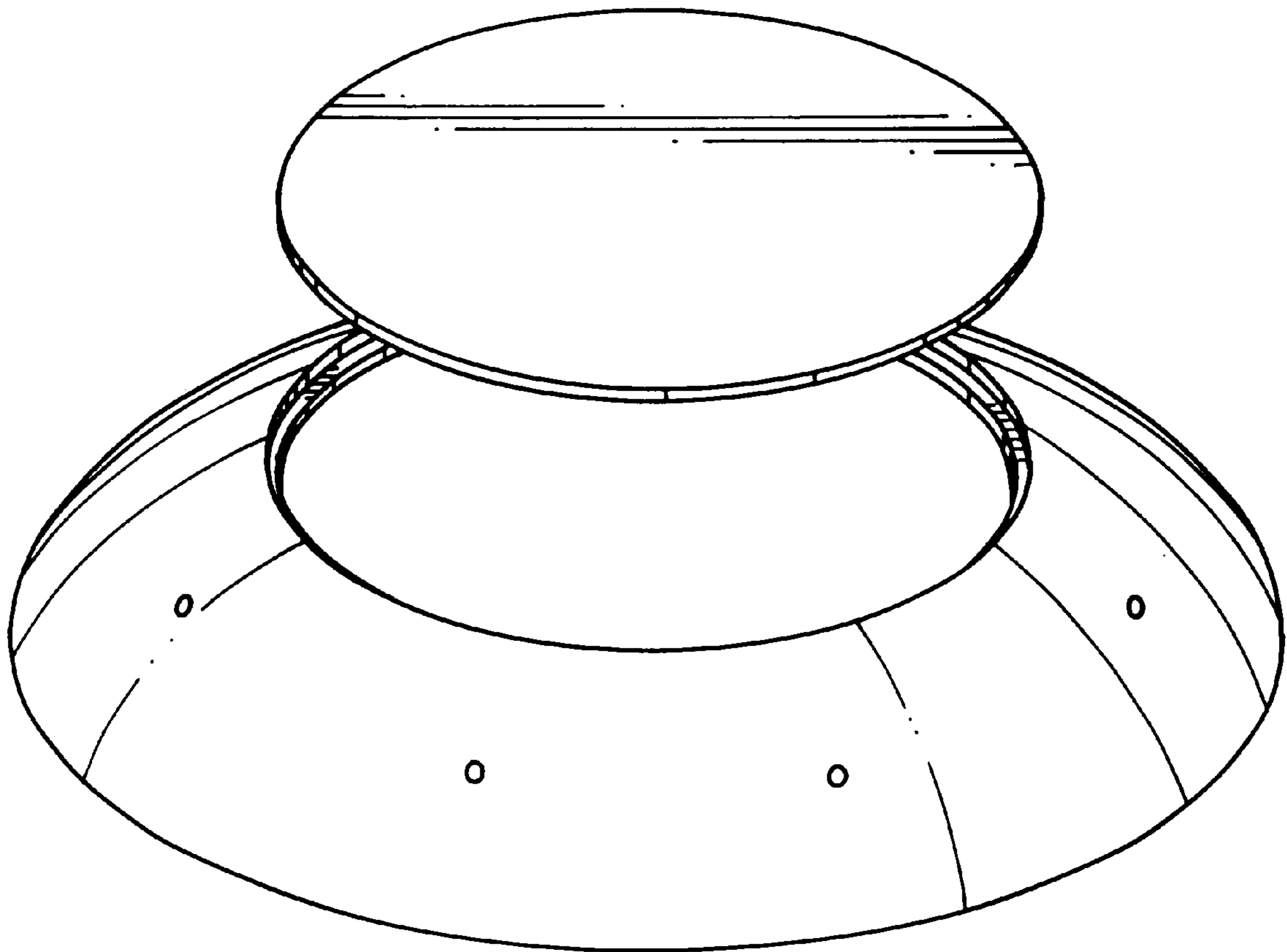
FIG. 4 is a bottom plan view thereof.

(56) **References Cited**

**U.S. PATENT DOCUMENTS**

D320,281 S \* 9/1991 Pettesch ..... D25/36  
5,470,172 A \* 11/1995 Wiedrich ..... 52/20

**1 Claim, 3 Drawing Sheets**



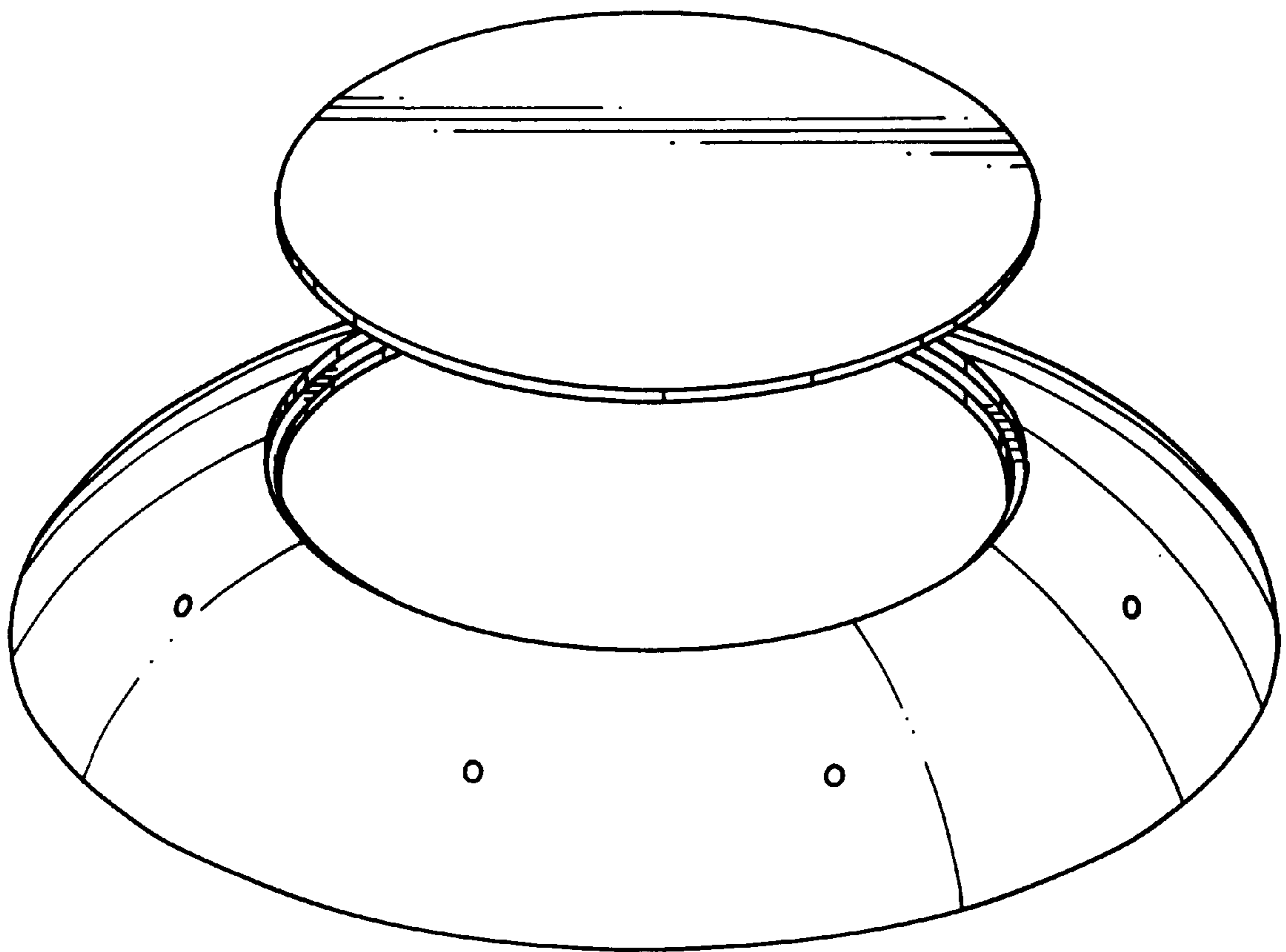


FIG. 1.

FIG. 2.

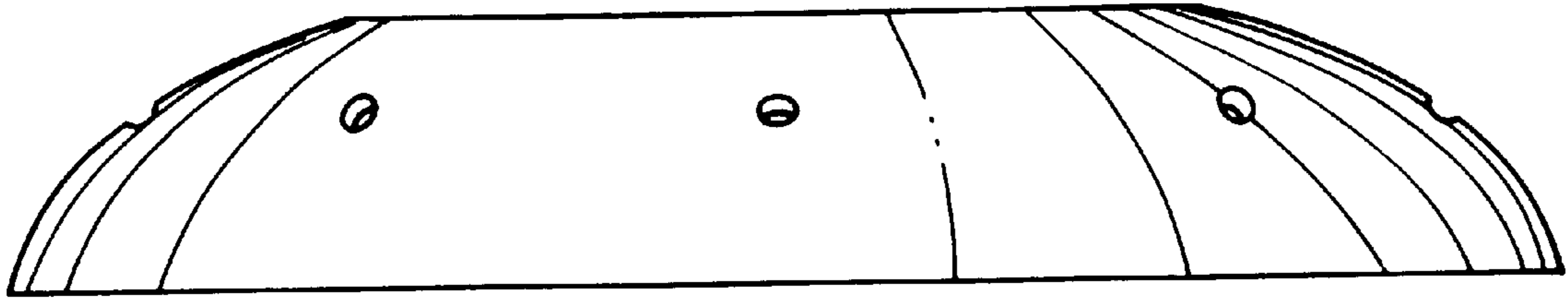
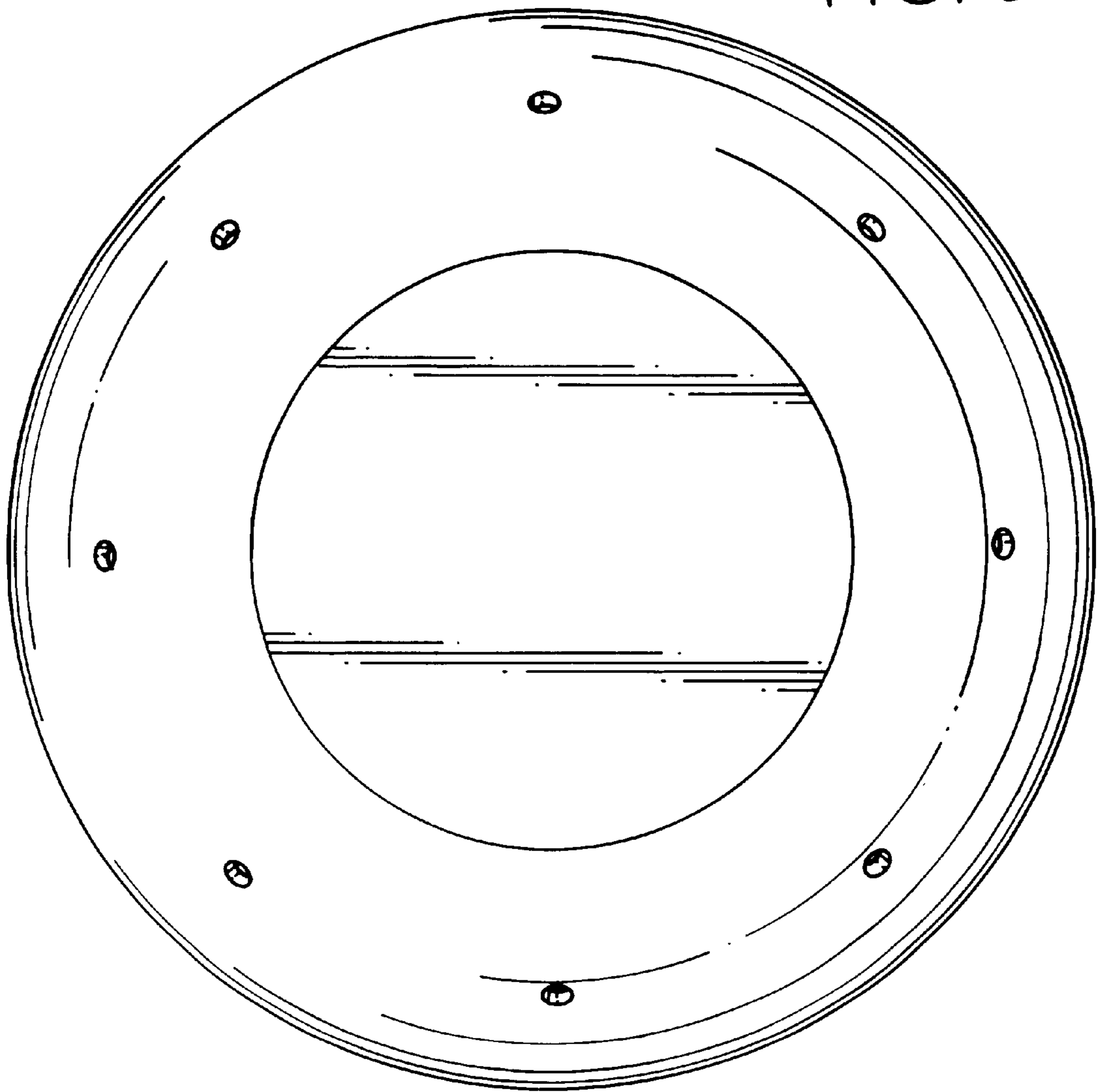


FIG. 3.



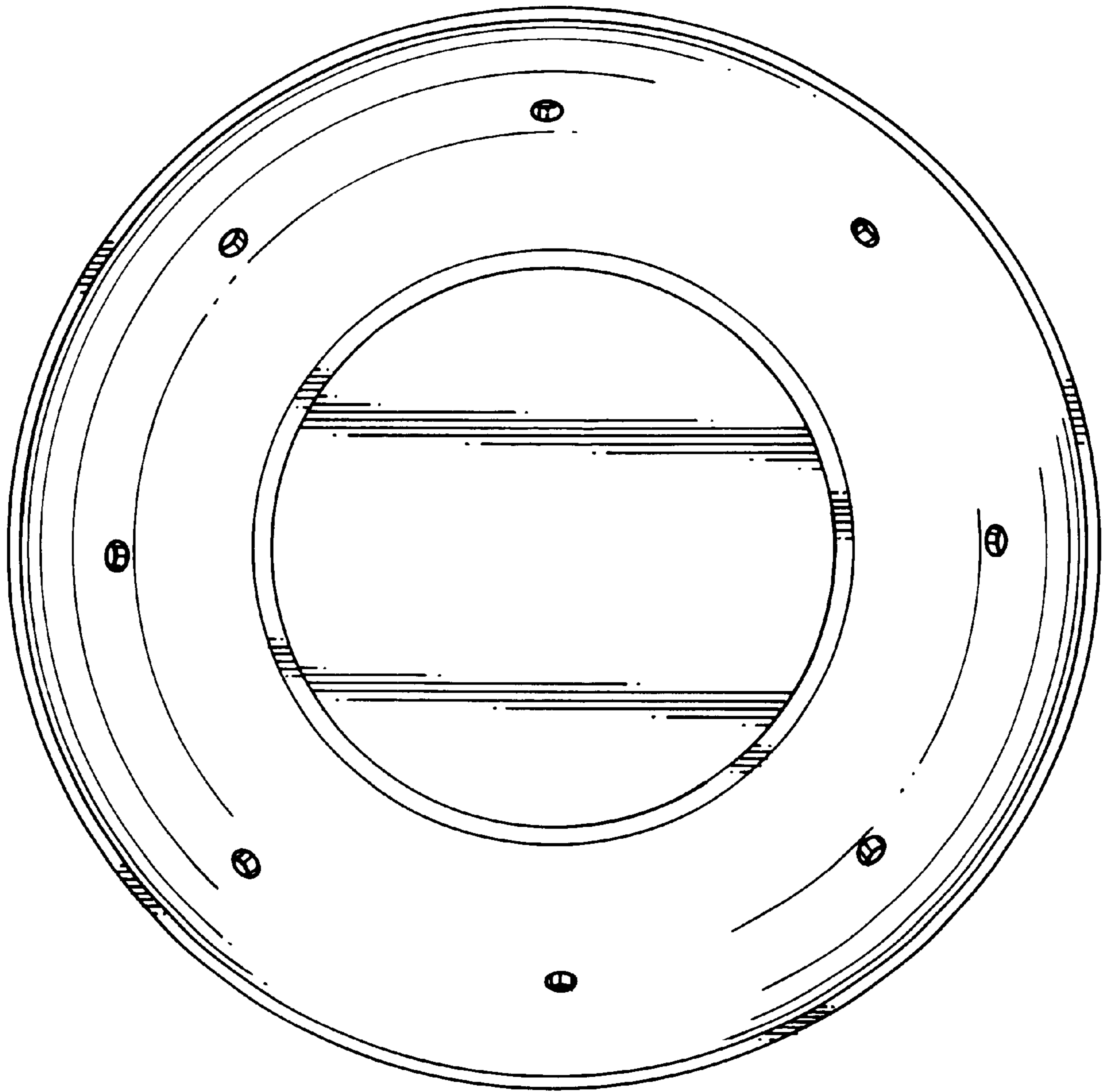


FIG. 4.