



US00D453221S

(12) **United States Design Patent**
Haytman et al.

(10) **Patent No.:** **US D453,221 S**

(45) **Date of Patent:** **** Jan. 29, 2002**

(54) **LUER-TYPE CONNECTOR**

(75) Inventors: **Eyal Haytman; Gilles Fitoussi**, both of Merom Hagalil (IL)

(73) Assignee: **Elcam Plastic Cooperative Agricultural Association Ltd.**, Hagalil (IL)

(**) Term: **14 Years**

(21) Appl. No.: **29/124,756**

(22) Filed: **Jun. 12, 2000**

(51) **LOC (7) Cl.** **24-02**

(52) **U.S. Cl.** **D24/129**

(58) **Field of Search** D24/129; D23/236, D23/235, 234, 237, 244, 245; 604/905, 403, 280, 83, 9, 249, 244, 250, 86, 539, 247, 82

(56) **References Cited**

U.S. PATENT DOCUMENTS

D257,286 S	*	10/1980	Folkman	D24/129
D357,735 S	*	4/1995	McPhee	D24/129
5,603,706 A	*	2/1997	Wyatt et al.	604/905
5,618,268 A	*	4/1997	Raines et al.	604/247
5,810,768 A	*	9/1998	Lopez	604/83

* cited by examiner

Primary Examiner—Ian Simmons

(74) *Attorney, Agent, or Firm*—Nath & Associates PLLC; Gary M. Nath; Marvin C. Berkowitz

(57) **CLAIM**

The ornamental design for a luer-type connector, as shown and described.

DESCRIPTION

FIG. 1 is a perspective view of a luer-type connector showing our new design;

FIG. 2 is a perspective view of a second embodiment of a luer-type connector showing our new design;

FIG. 3 is a front elevational view thereof;

FIG. 4 is a rear elevational view thereof;

FIG. 5 is a left side elevational view thereof;

FIG. 6 is a top plan view thereof;

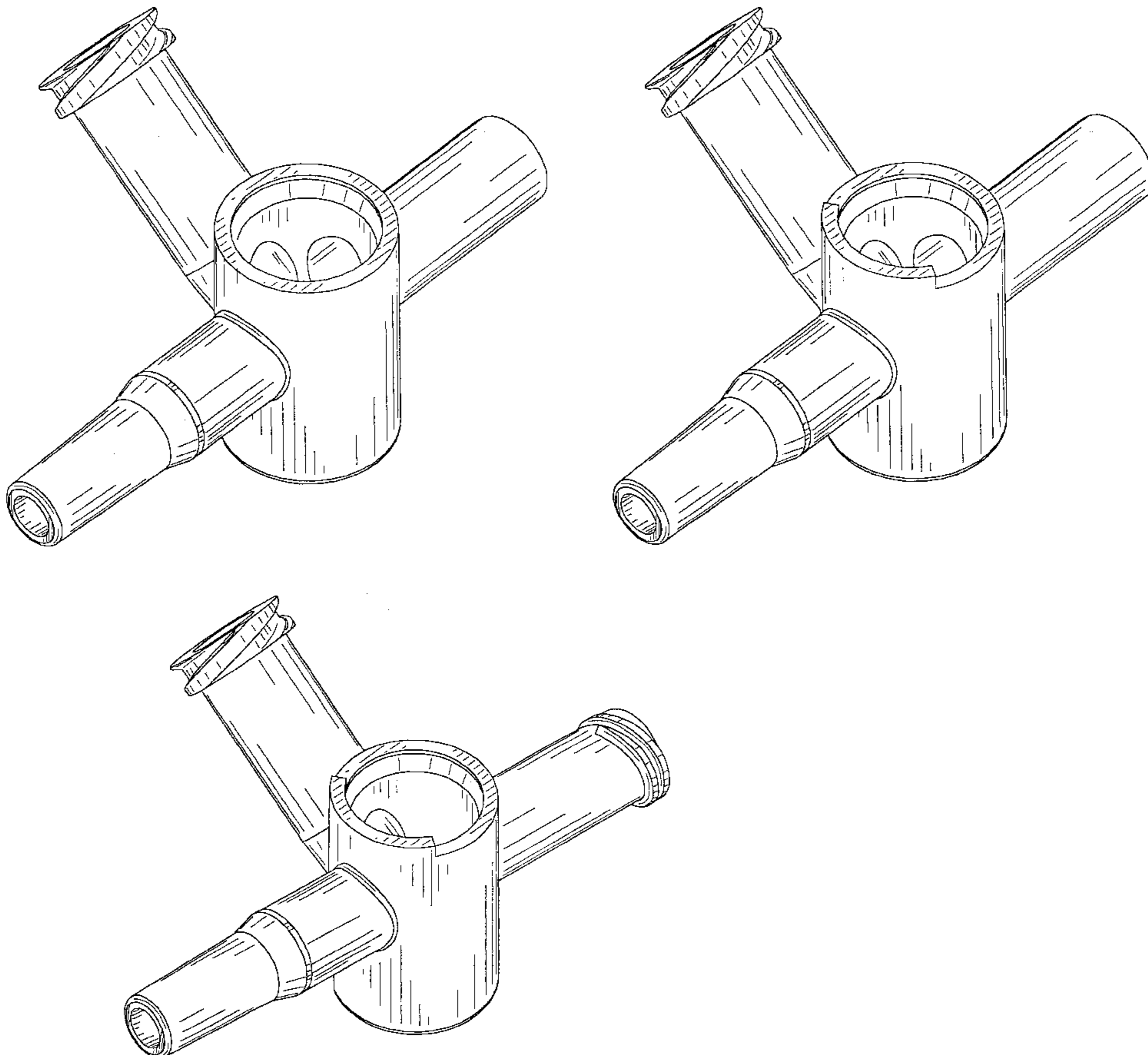
FIG. 7 is a right side elevational view thereof;

FIG. 8 is a bottom plan view thereof;

FIG. 9 is a perspective view of a third embodiment of a luer-type connector showing our new design; and,

FIG. 10 is a perspective view thereof, the broken line showing of a transducer is for illustrative purposes only and forms no part of the claimed design.

1 Claim, 7 Drawing Sheets



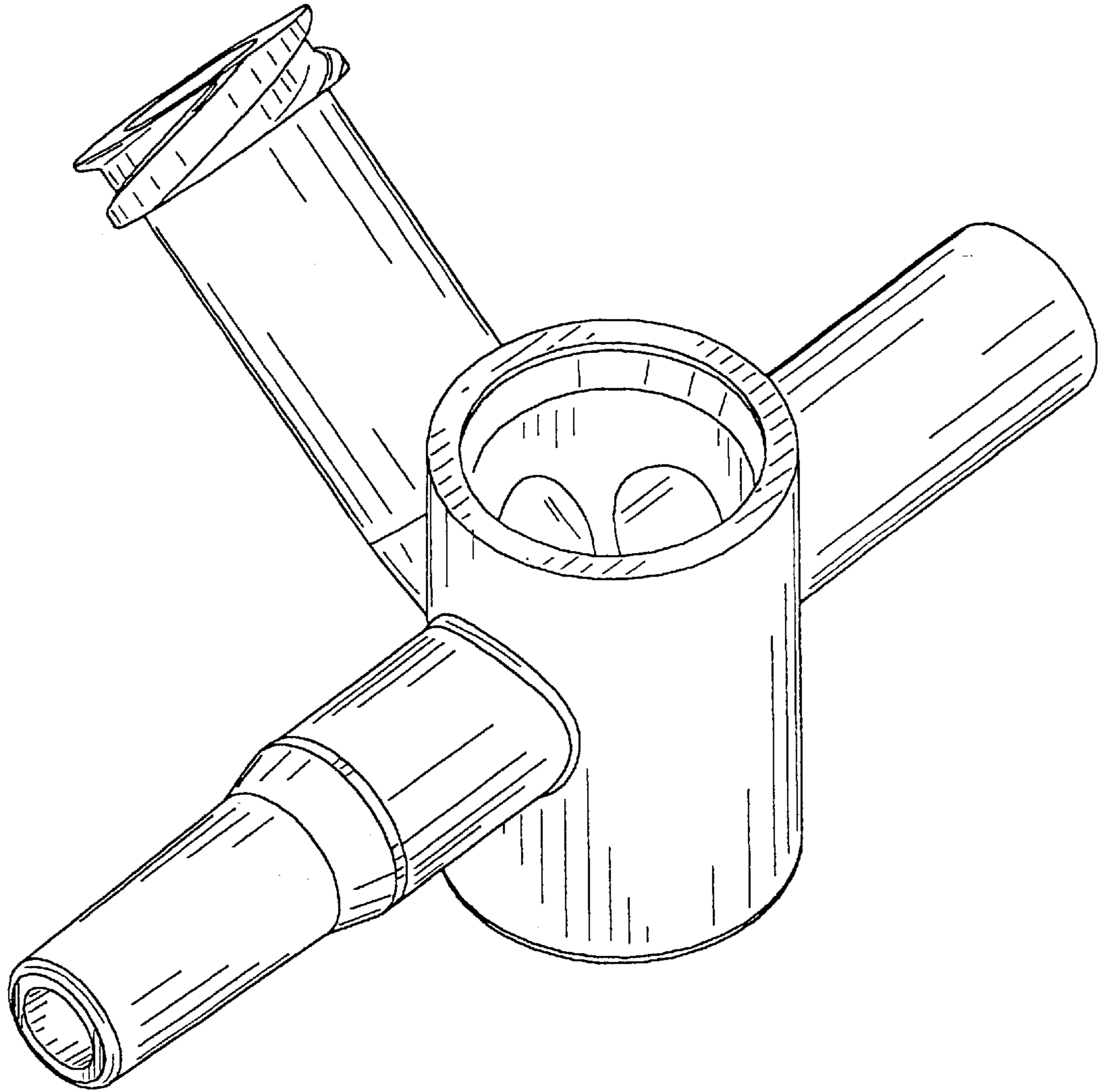


FIG.1

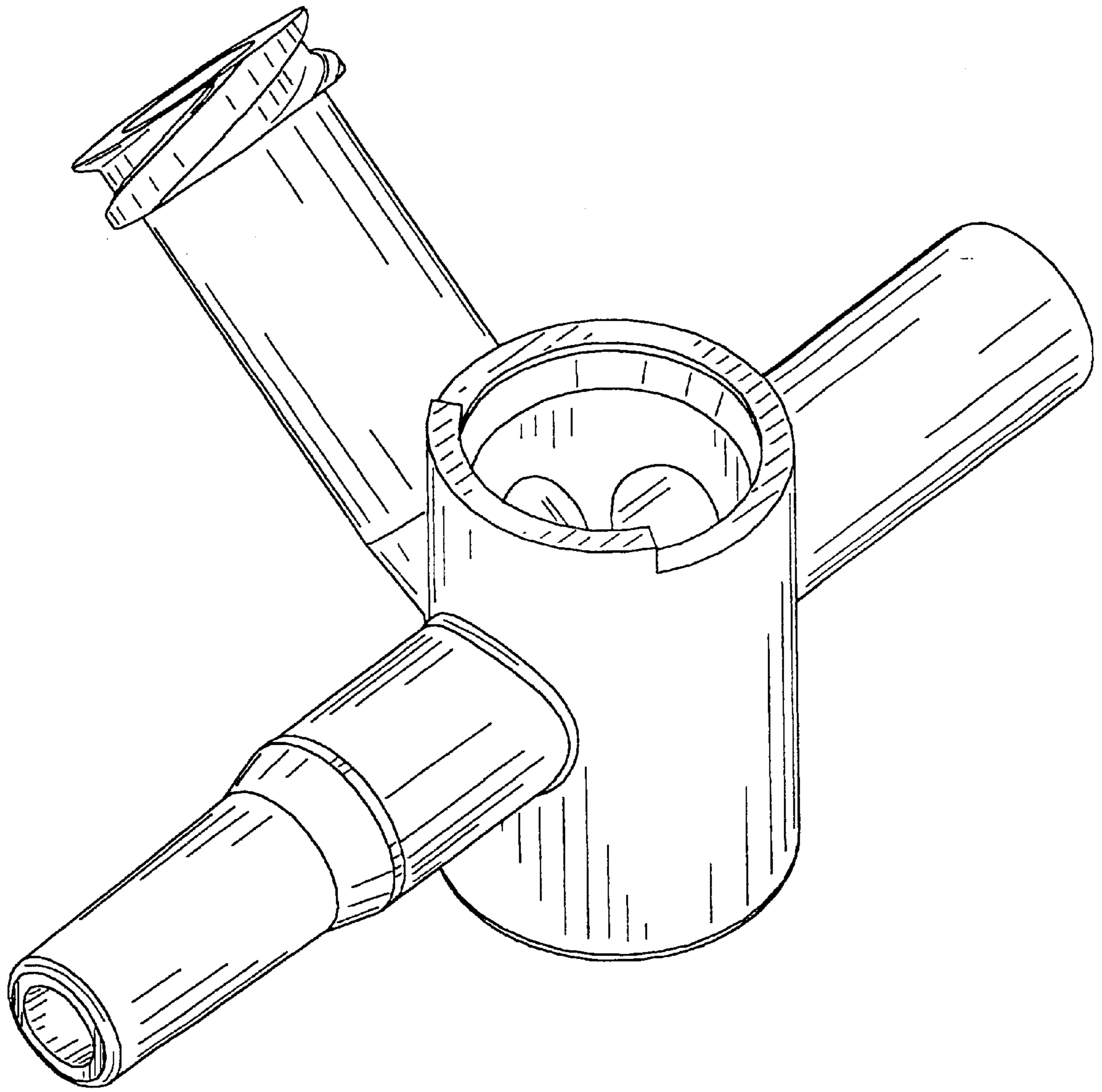


FIG. 2

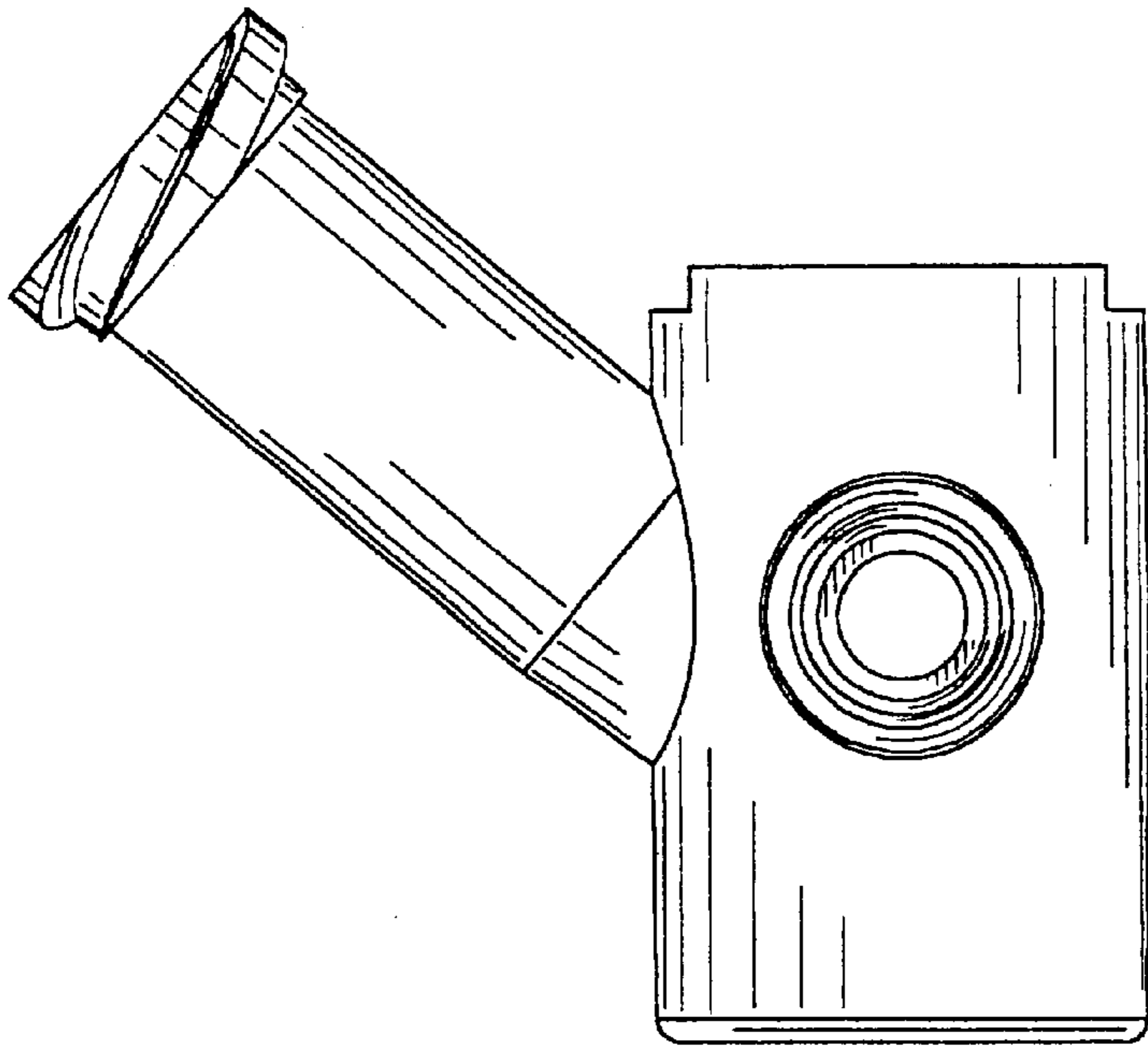


FIG. 3

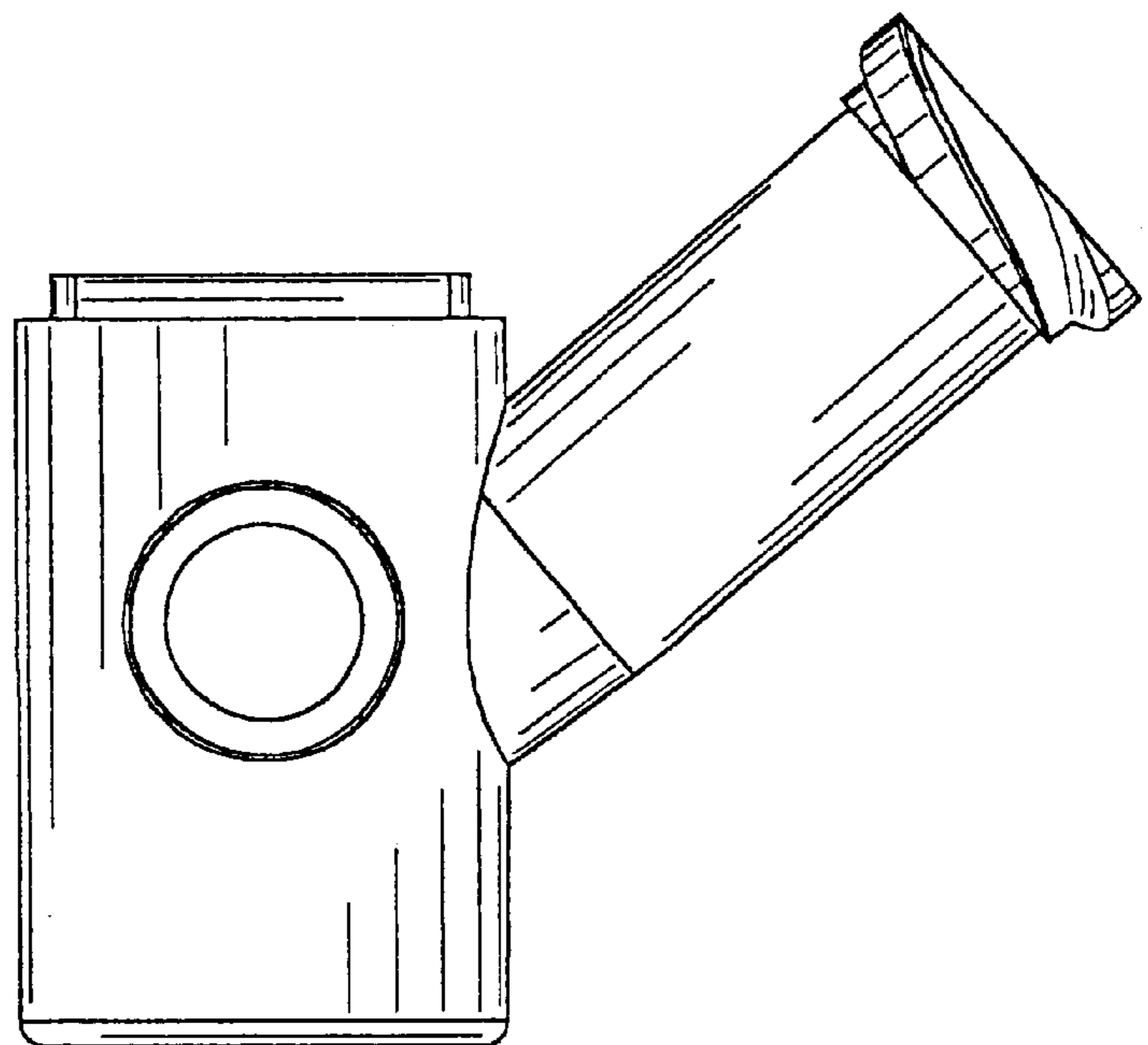


FIG. 4

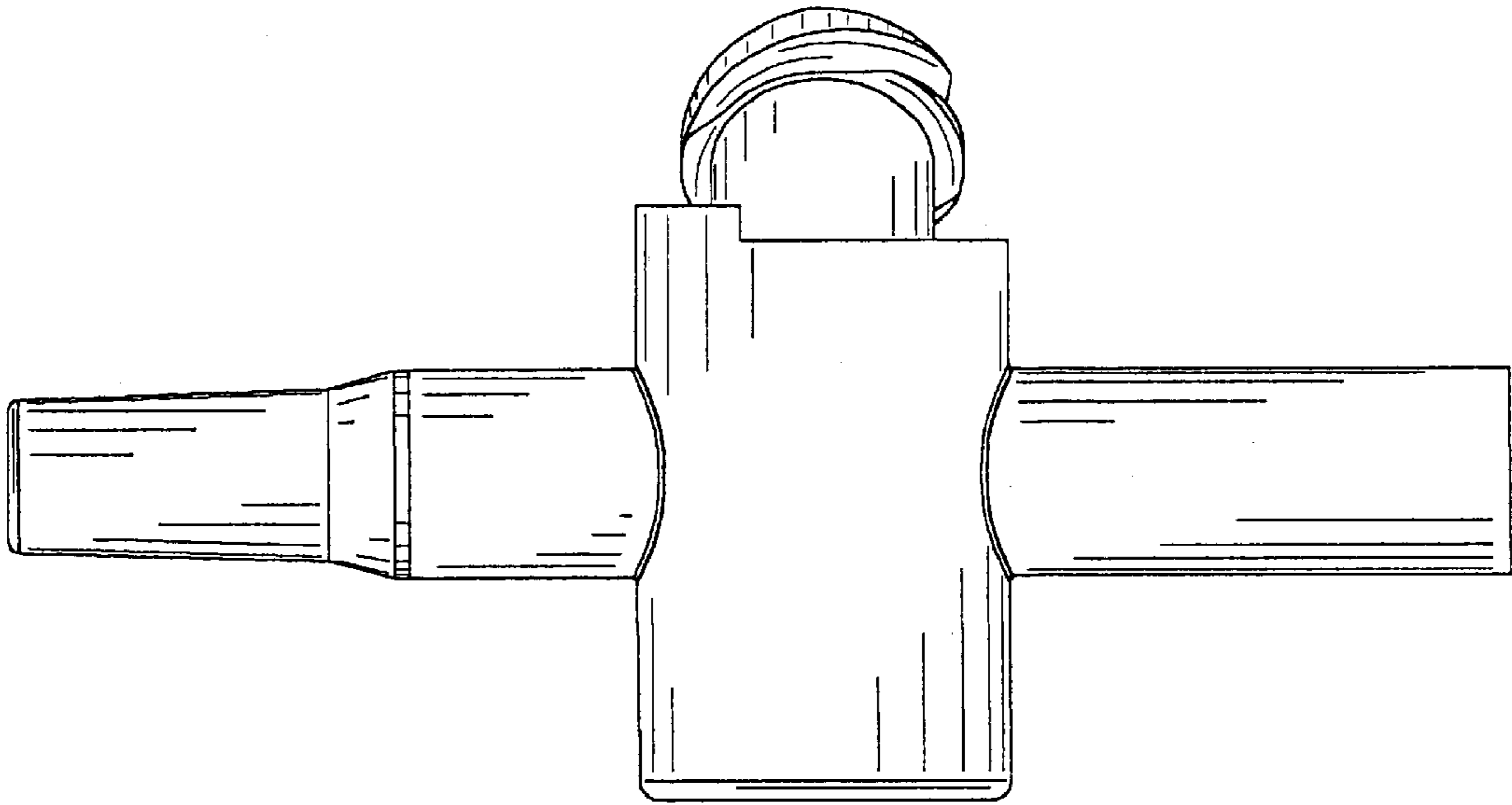


FIG. 5

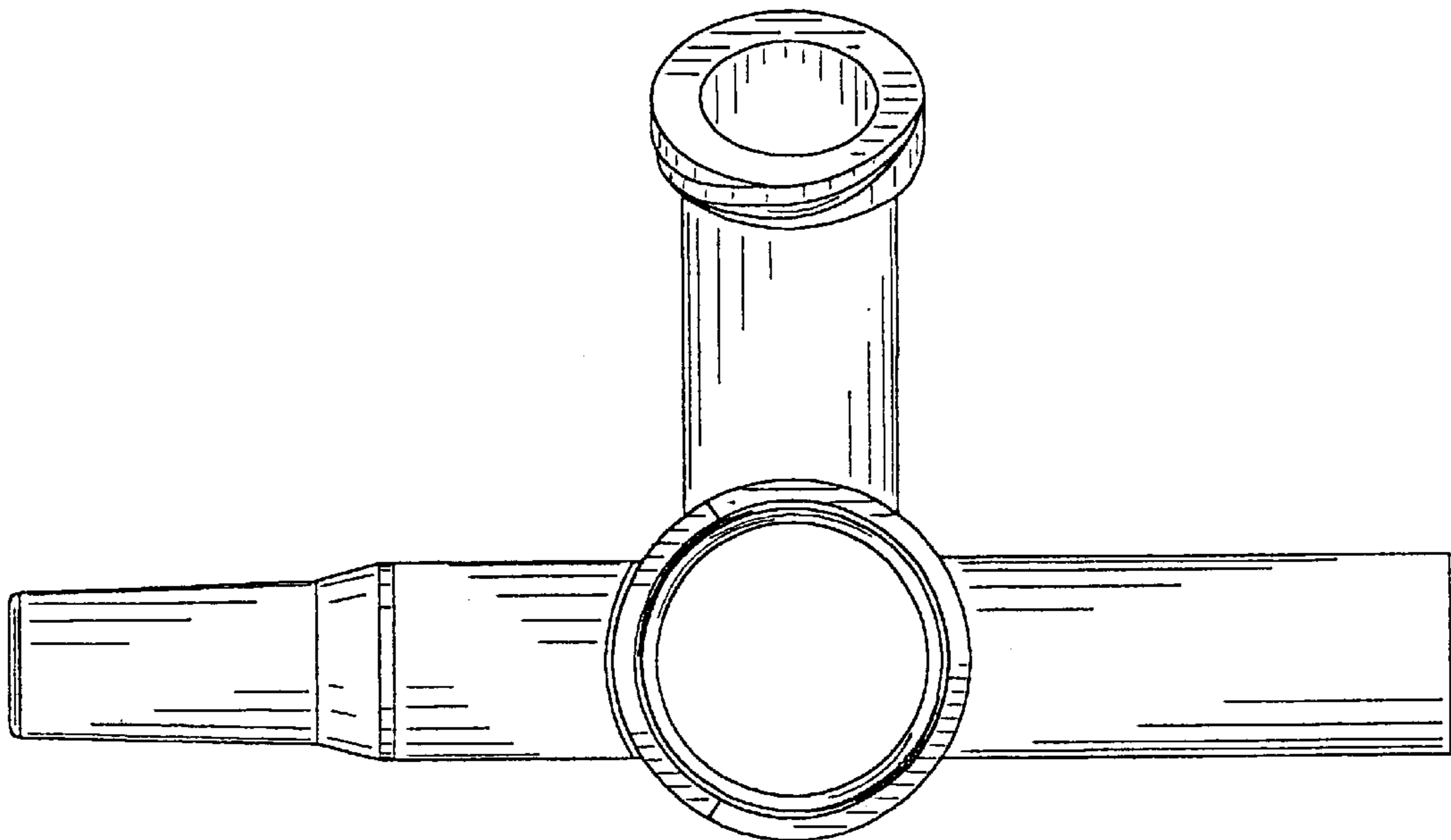


FIG. 6

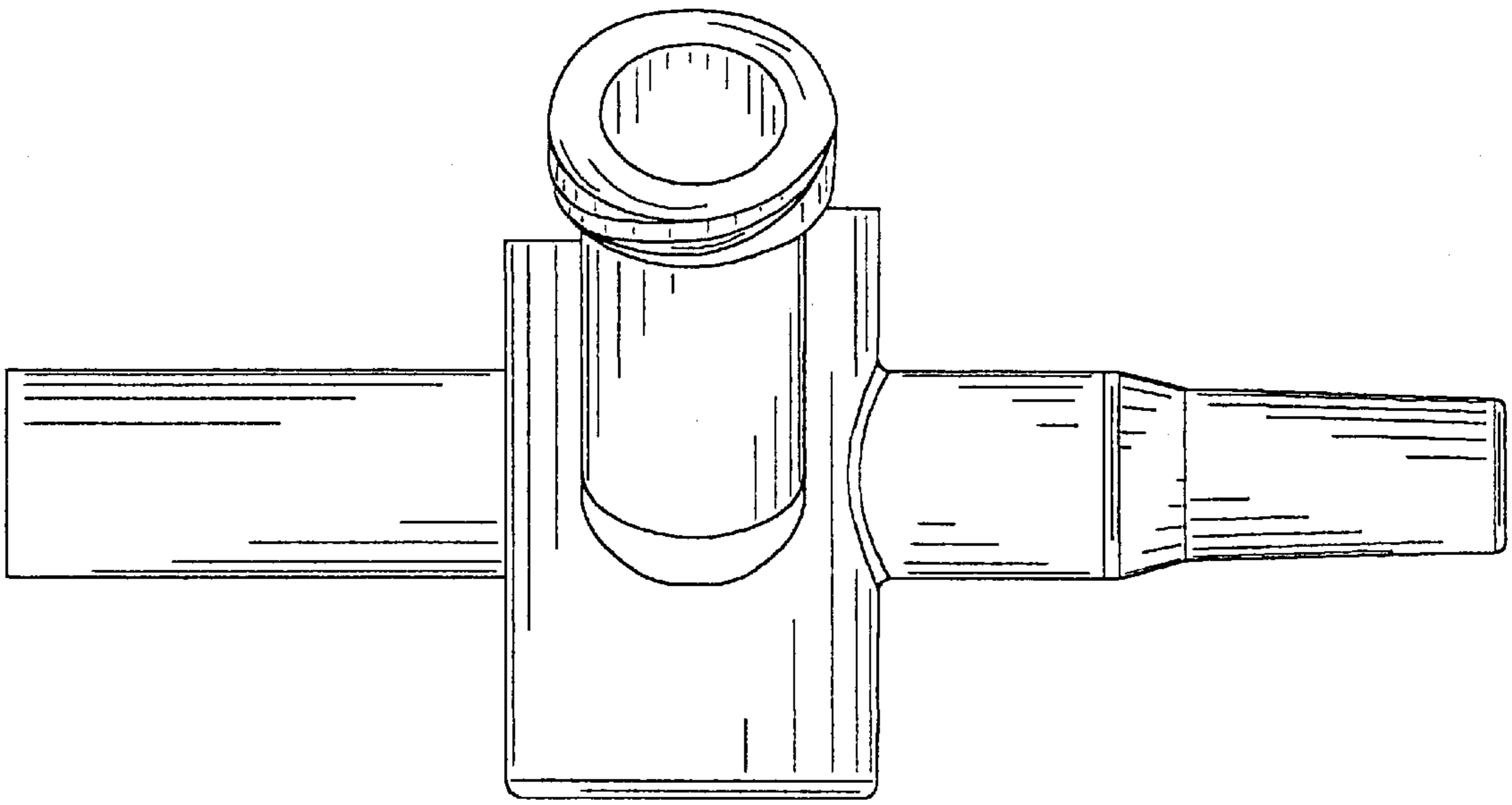


FIG. 7

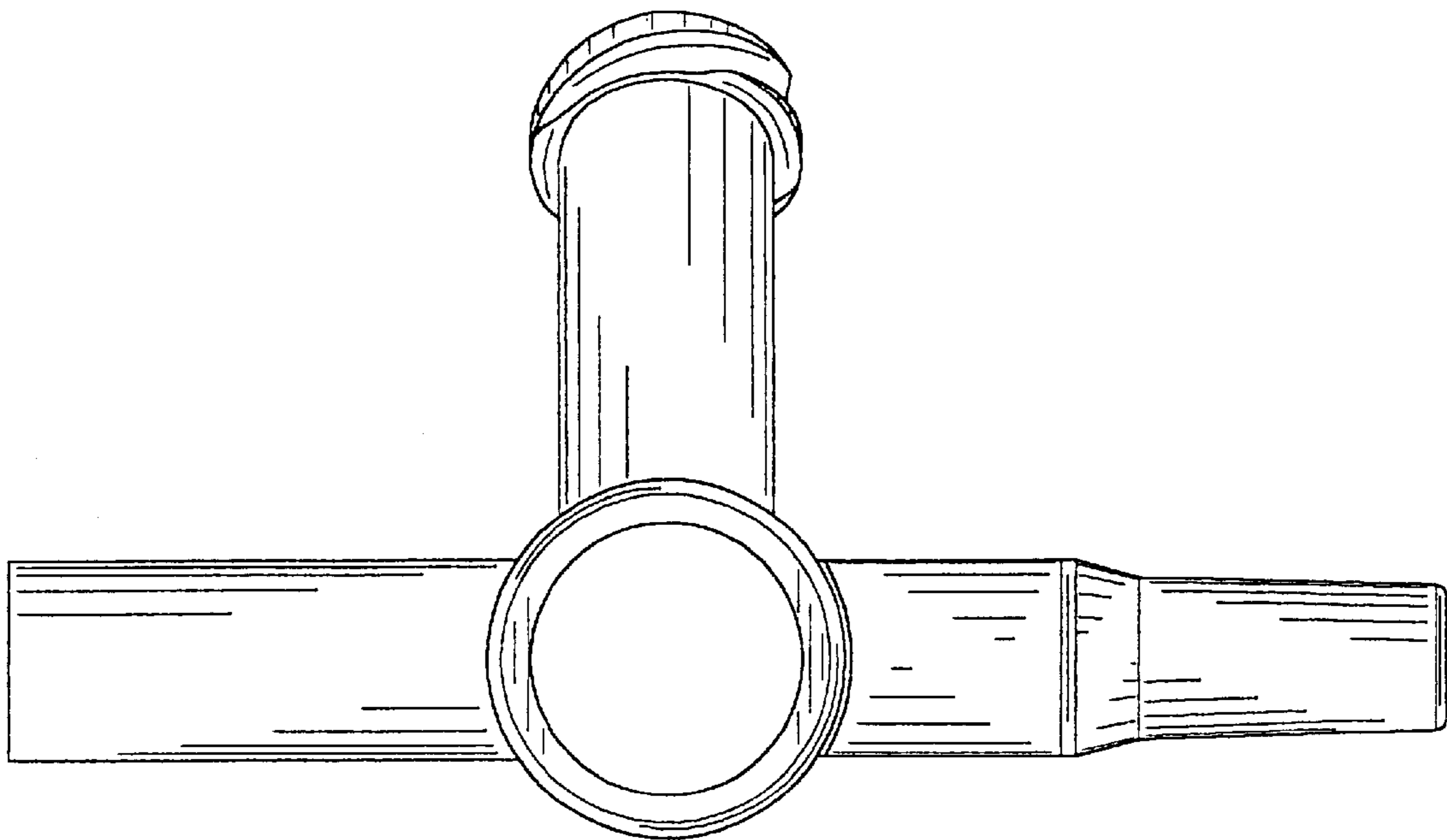


FIG. 8

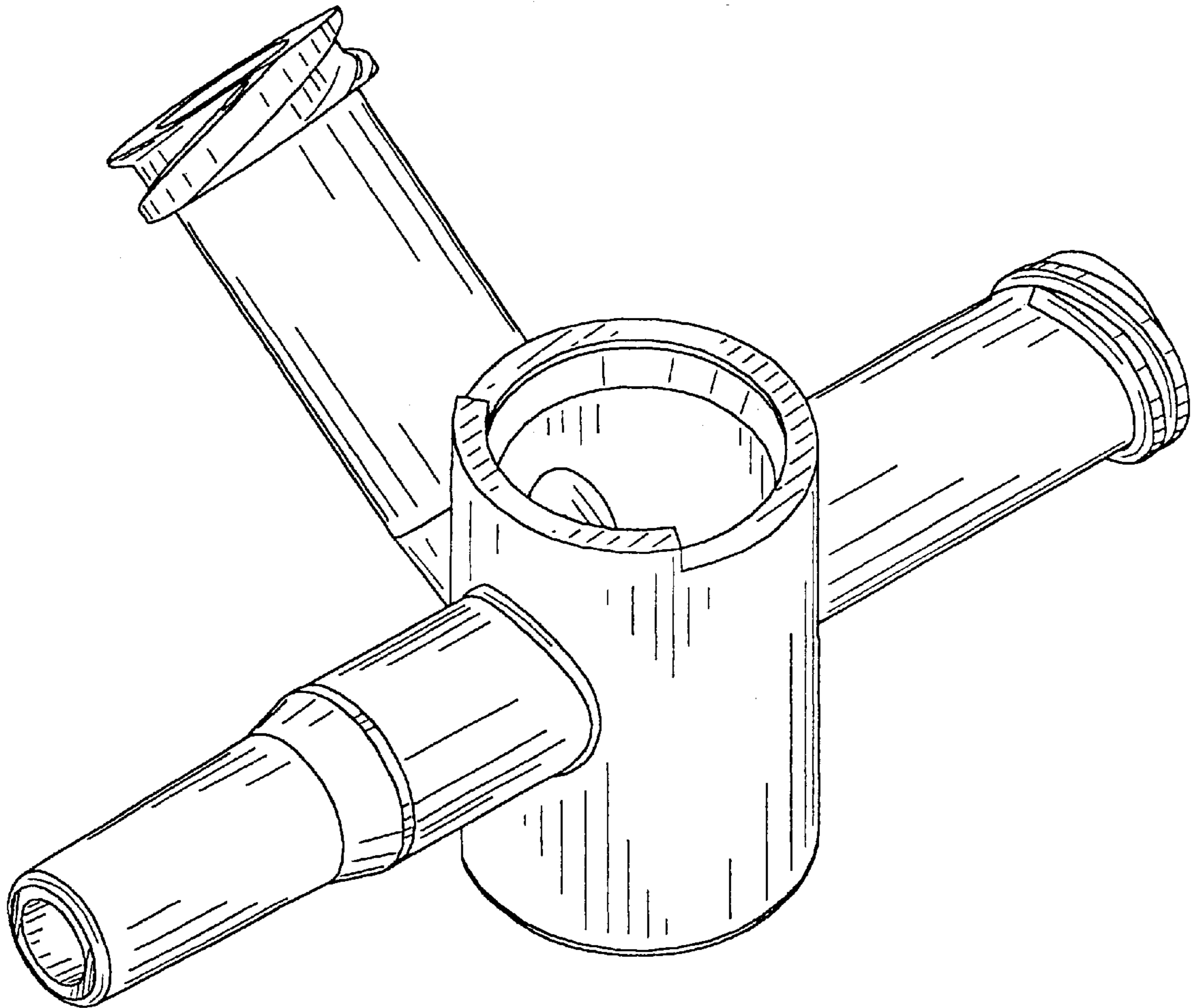


FIG. 9

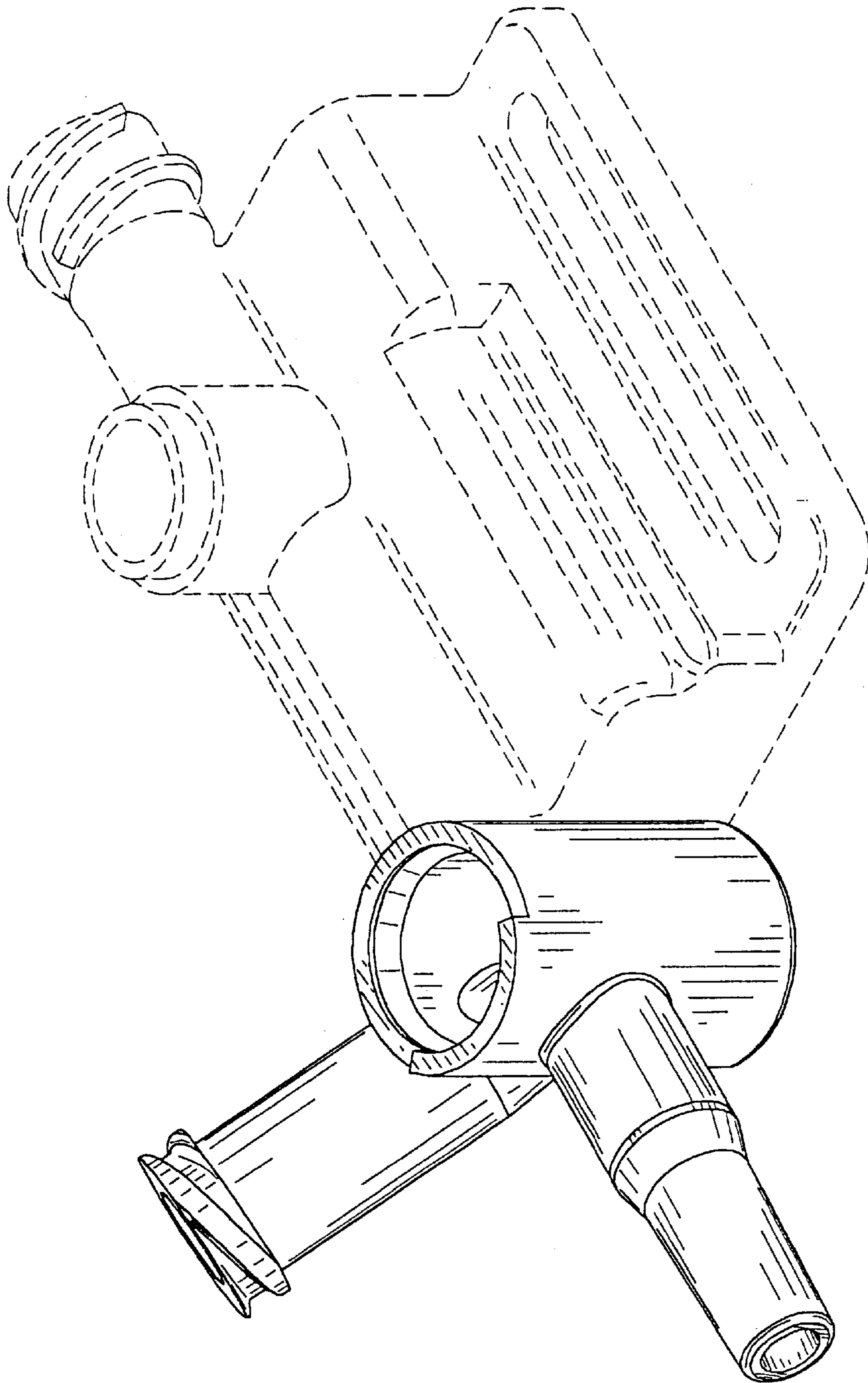


FIG.10