



US00D453217S

(12) **United States Design Patent**  
**Young**

(10) **Patent No.:** **US D453,217 S**

(45) **Date of Patent:** **\*\* Jan. 29, 2002**

(54) **COMBINED CEILING FAN MOTOR HOUSING AND LIGHT FIXTURE**

D428,986 S 8/2000 Dye ..... D23/411  
D430,931 S 9/2000 Dye ..... D23/411  
D435,900 S 1/2001 Dye ..... D23/411  
D437,927 S 2/2001 Dye ..... D23/411

(75) Inventor: **Stanfield Young**, Cypress, CA (US)

(73) Assignee: **Minka Lighting, Inc.**, Corona, CA (US)

(\*\*) Term: **14 Years**

(21) Appl. No.: **29/140,955**

(22) Filed: **Apr. 25, 2001**

**Related U.S. Application Data**

(63) Continuation-in-part of application No. 29/136,797, filed on Feb. 6, 2001.

(51) **LOC (7) Cl.** ..... **23-04**

(52) **U.S. Cl.** ..... **D23/377**

(58) **Field of Search** ..... D23/377, 379,  
D23/385, 411, 413; 416/5; D26/59, 51,  
72, 81-86

(56) **References Cited**

**U.S. PATENT DOCUMENTS**

D82,179 S	9/1930	Ringwald	
3,033,049 A	5/1962	Morrow	
4,123,198 A	10/1978	Harbord	416/243
4,358,245 A	11/1982	Gray	416/189
D270,942 S	10/1983	McCain	D23/379
D295,555 S	5/1988	Greenberg	D23/385
D304,229 S	10/1989	Rezek	D23/377
D305,059 S	12/1989	Miranda et al.	D23/377
D312,688 S	12/1990	Mason	D23/377
D314,046 S	1/1991	Yen	D23/377
D322,310 S	12/1991	Chen	D23/377
D323,028 S	1/1992	Holbrook	D23/377
5,297,931 A	3/1994	Yapp et al.	415/208.1
D357,978 S	* 5/1995	Young	D23/377
D361,377 S	* 8/1995	Tsuji	D23/377
D380,539 S	7/1997	Liu	D23/377
D393,902 S	4/1998	Pickett	D23/377
D399,949 S	* 10/1998	Chou	D23/413

**OTHER PUBLICATIONS**

U.S. application No. 29/140,954, Young, filed Apr. 25, 2001.  
U.S. application No. 29/140,956, Young, filed Apr. 25, 2001.  
U.S. application No. 29/140,953, Young, filed Apr. 25, 2001.  
U.S. application No. 29/140,961, Young, filed Apr. 25, 2001.  
Minka Lighting, Inc.; MinkaAire: The Art of Air Management; Apr. 25, 1995; p. 15; Published U.S.A.  
Minka Lighting, Inc.; MinkaAire Two Thousand; Dec. 1, 1999; pp. 6-7, 59; Published in U.S.A.  
Minka Lighting, Inc.; MinkaAire Two Thousand One; Oct. 5, 2000; pp. 6-7, 14-15; Published in U.S.A.  
Japanese Patent No. 62-199997 by Kaoru Watanabe.

\* cited by examiner

*Primary Examiner*—Lisa Lichtenstein

(74) *Attorney, Agent, or Firm*—Jenkins & Gilchrist, P.C.

(57) **CLAIM**

The ornamental design for a combined ceiling fan motor housing and light fixture, as shown and described.

**DESCRIPTION**

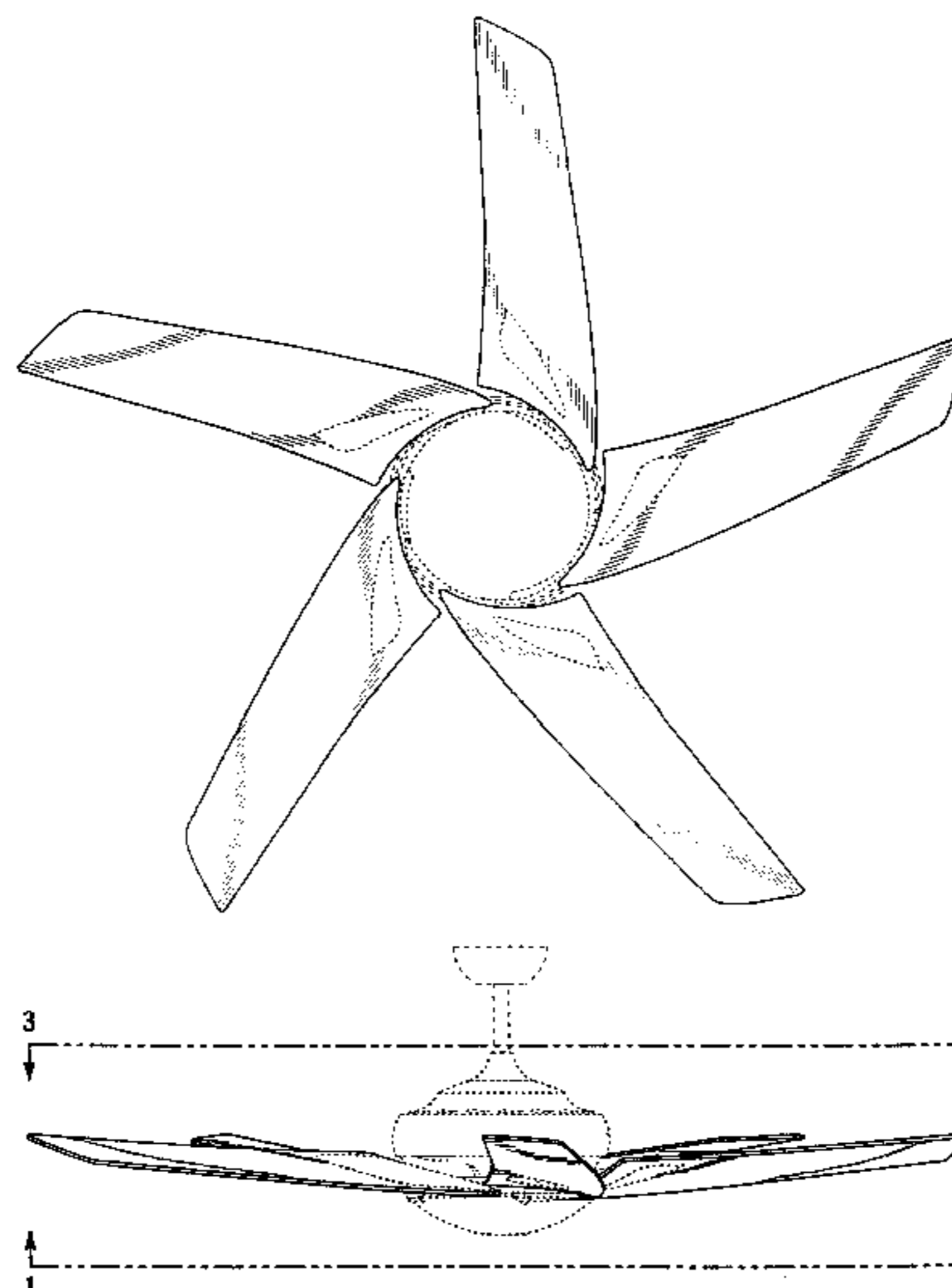
FIG. 1 is a bottom plan view of the combined ceiling fan motor housing and light fixture in accordance with my design taken along line 1—1 in FIG. 2;

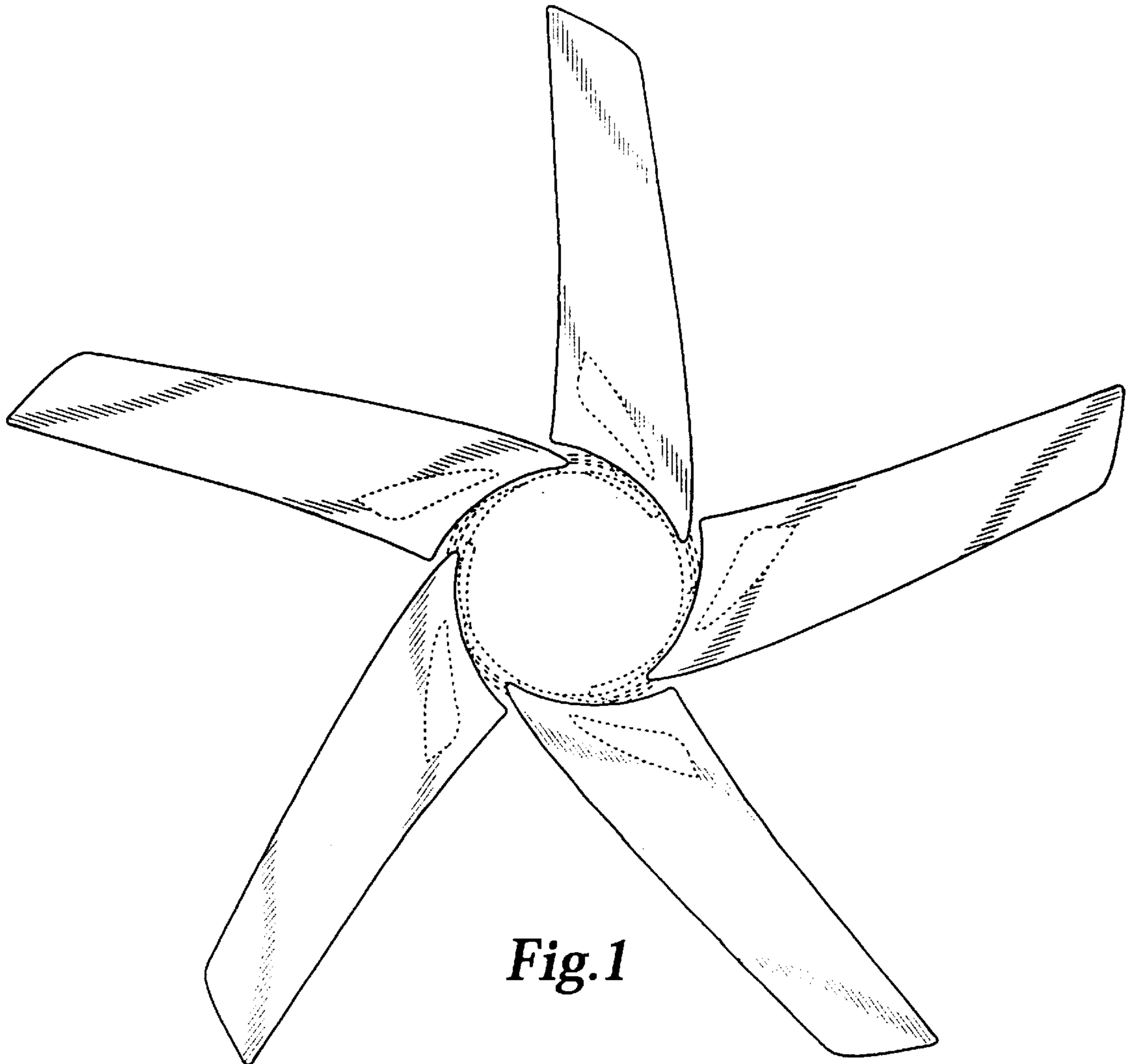
FIG. 2 is a front elevation view of the combined ceiling fan motor housing and light fixture in accordance with my design, the rear and the side views being substantially identical to that shown except for the position of the blades; and,

FIG. 3 is a top plan view of the combined ceiling fan motor housing and light fixture in accordance with my design taken along line 3—3 in FIG. 2.

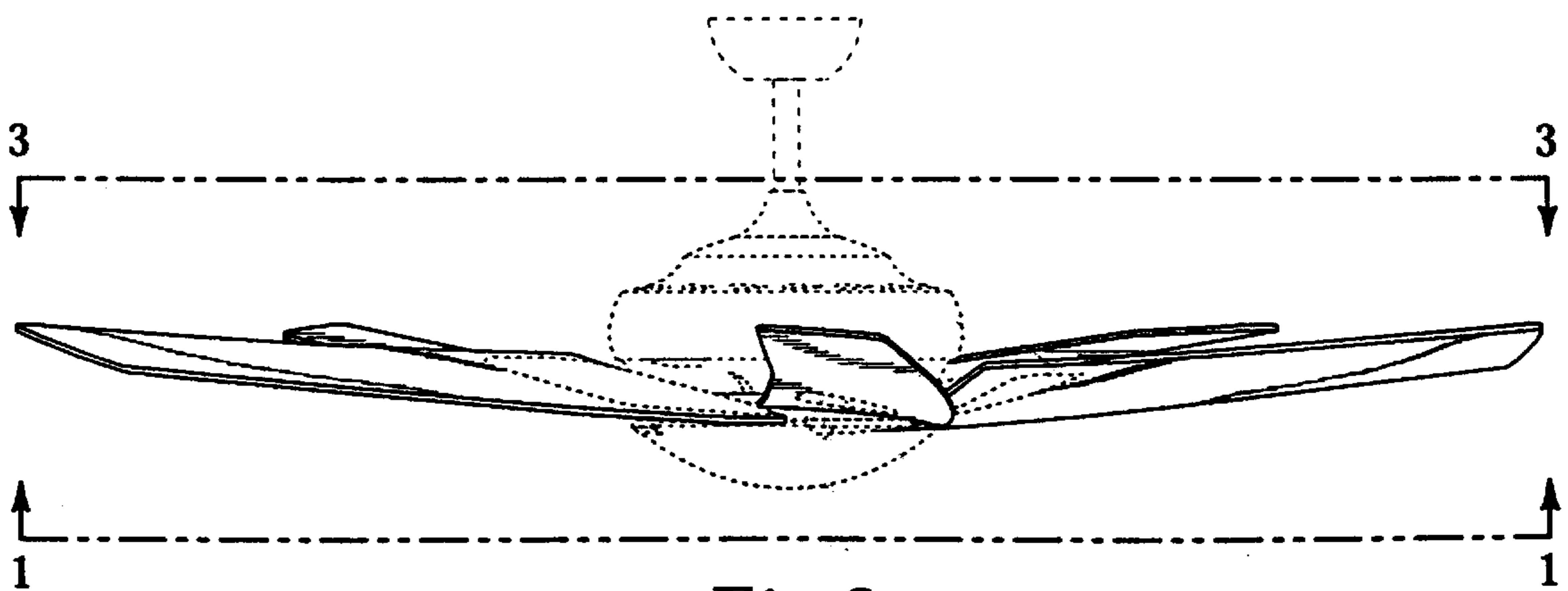
The broken line showing of environmental structure in FIGS. 1—3 is for illustrative purposes only and forms no part of the claimed design.

**1 Claim, 2 Drawing Sheets**

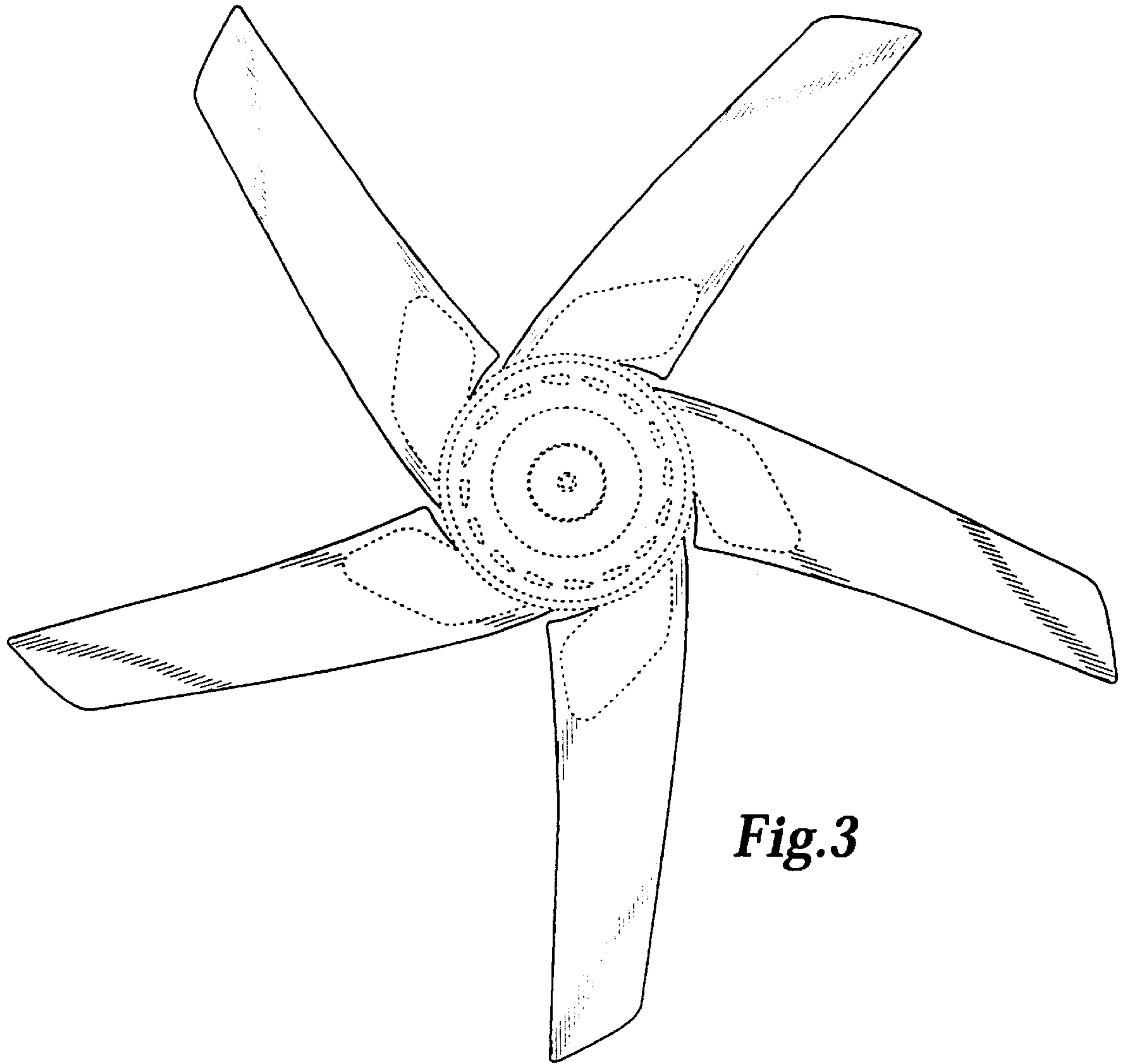




*Fig.1*



*Fig.2*



**Fig.3**