



US00D453215S

(12) **United States Design Patent** (10) **Patent No.:** **US D453,215 S**  
**Summers et al.** (45) **Date of Patent:** **\*\* Jan. 29, 2002**

(54) **ADAPTIVE RAIL FOR PLANAR AIR FILTER**

(75) Inventors: **George Robert Summers**, Carleton Place (CA); **Forwood Cloud Wisner, III**, Kingston, NJ (US)

(73) Assignee: **Engineering Dynamics Ltd.**, Ontario (CA)

(\*\*) Term: **14 Years**

(21) Appl. No.: **29/112,755**

(22) Filed: **Oct. 22, 1999**

(30) **Foreign Application Priority Data**

Jun. 11, 1999 (CA) ..... 1999-1418

(51) **LOC (7) Cl.** ..... **23-04**

(52) **U.S. Cl.** ..... **D23/365**

(58) **Field of Search** ..... D23/365; D25/119, D25/164, 199; 55/DIG. 31, 506

(56) **References Cited**

**U.S. PATENT DOCUMENTS**

- 3,707,046 A \* 12/1972 De Baun ..... 55/DIG. 31
- D405,519 S \* 2/1999 Osendorf et al. .... D23/365
- D408,512 S \* 4/1999 Hurst ..... D23/365
- 6,027,542 A \* 2/2000 Brandhofer et al. ... 55/DIG. 31

\* cited by examiner

*Primary Examiner*—Lisa Lichtenstein

(74) *Attorney, Agent, or Firm*—James W. Kayden; Thomas, Kayden, Horstemeyer & Risley

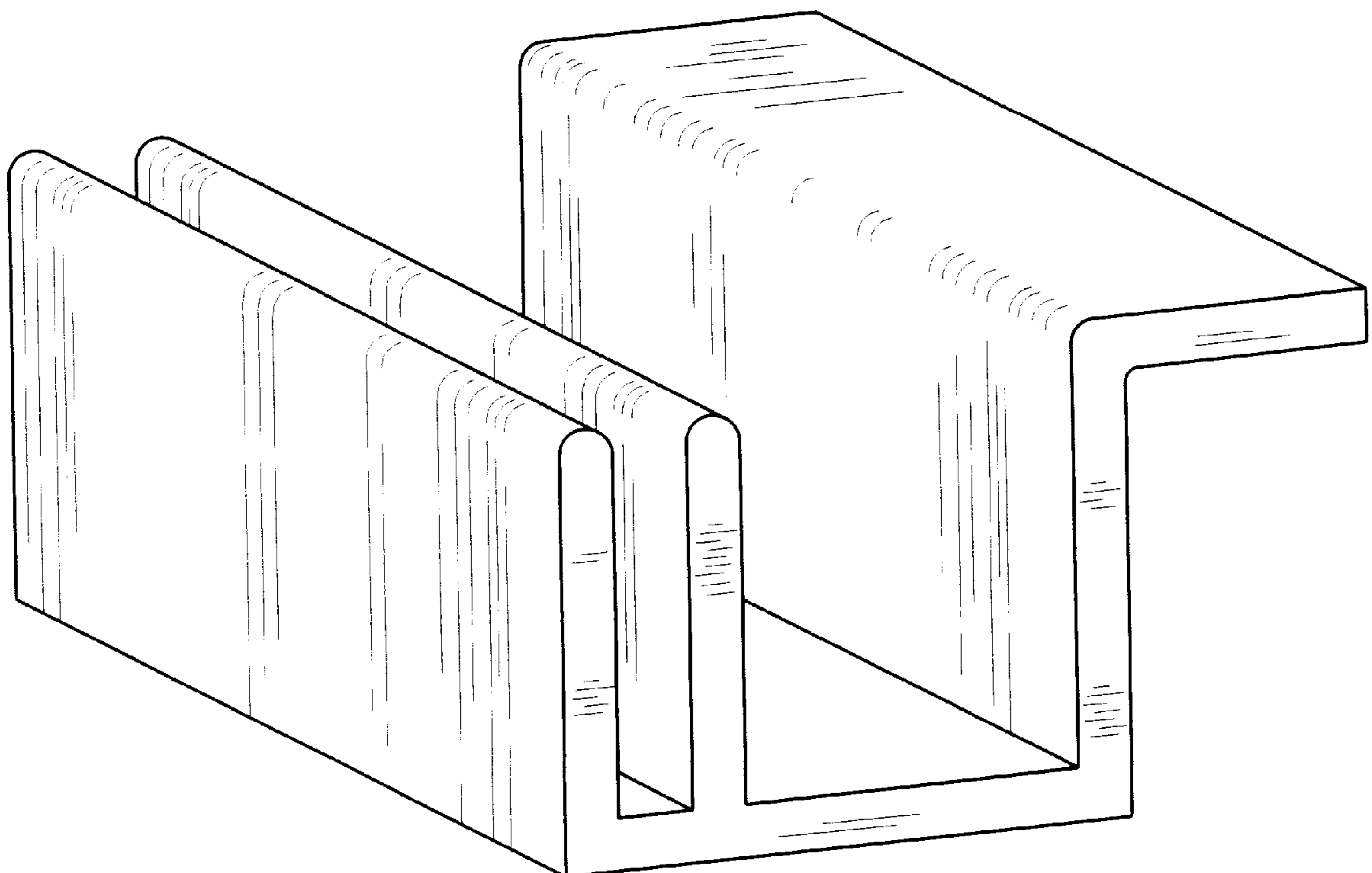
(57) **CLAIM**

The ornamental design of an adaptive rail for planar air filter, as shown and described.

**DESCRIPTION**

FIG. 1 is an end elevational view of an adaptive rail for planar air filter in accordance with the invention; FIG. 2 is an opposite and elevational view thereof; FIG. 3 is a front elevational view thereof; FIG. 4 is a rear elevational view thereof; FIG. 5 is a bottom plan view thereof; FIG. 6 is a top plan view thereof; FIG. 7 is a perspective view thereof; FIG. 8 is an end elevational view of a second embodiment of the adaptive rail for planar air filter in accordance with the invention; FIG. 9 is an opposite and elevational view of FIG. 8; FIG. 10 is a front elevational view of FIG. 8; FIG. 11 is a rear elevational view of FIG. 8; FIG. 12 is a bottom plan view of FIG. 8; FIG. 13 is a top plan view of FIG. 8; and, FIG. 14 is a perspective view of FIG. 8.

**1 Claim, 6 Drawing Sheets**



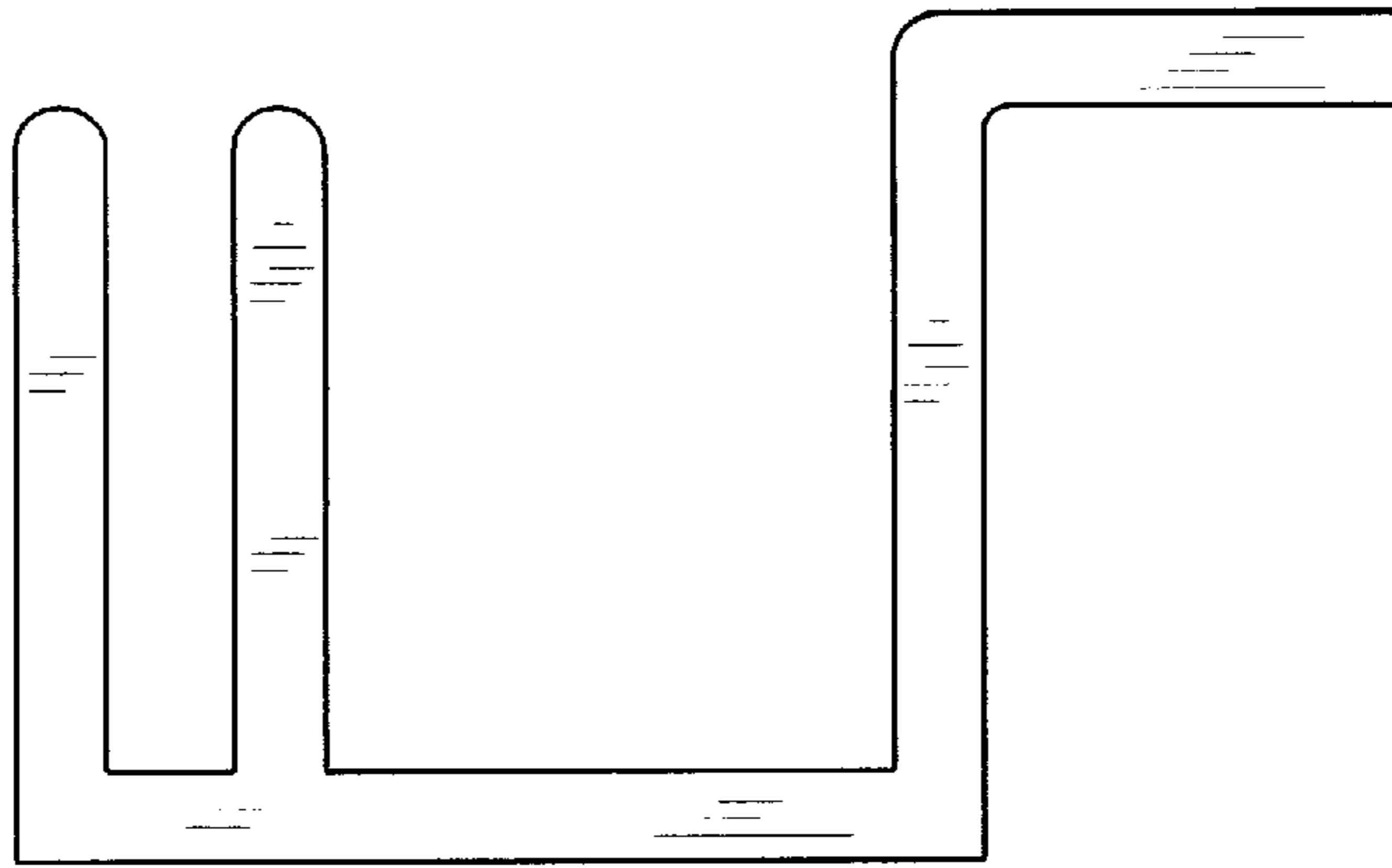


FIG. 1

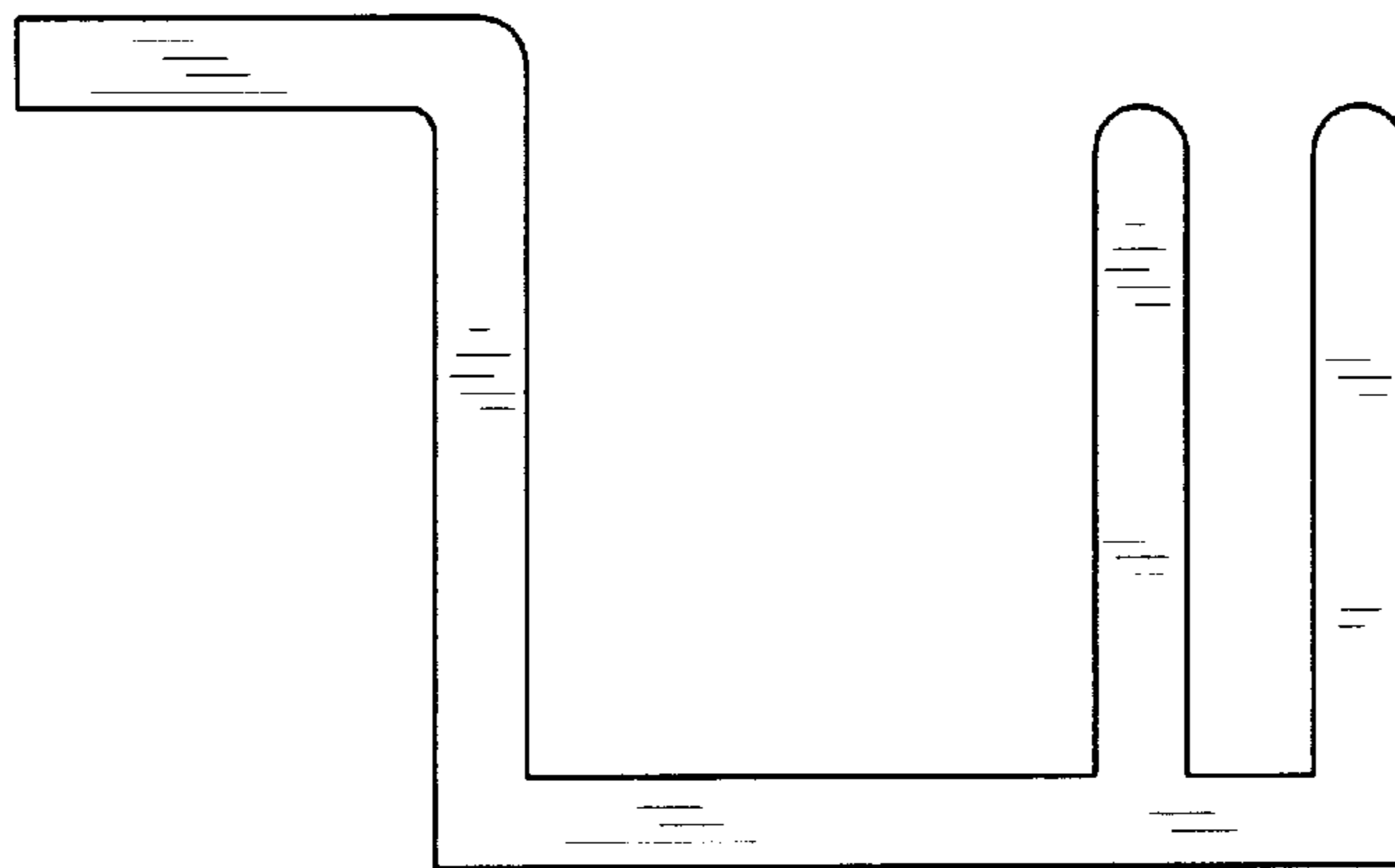


FIG. 2

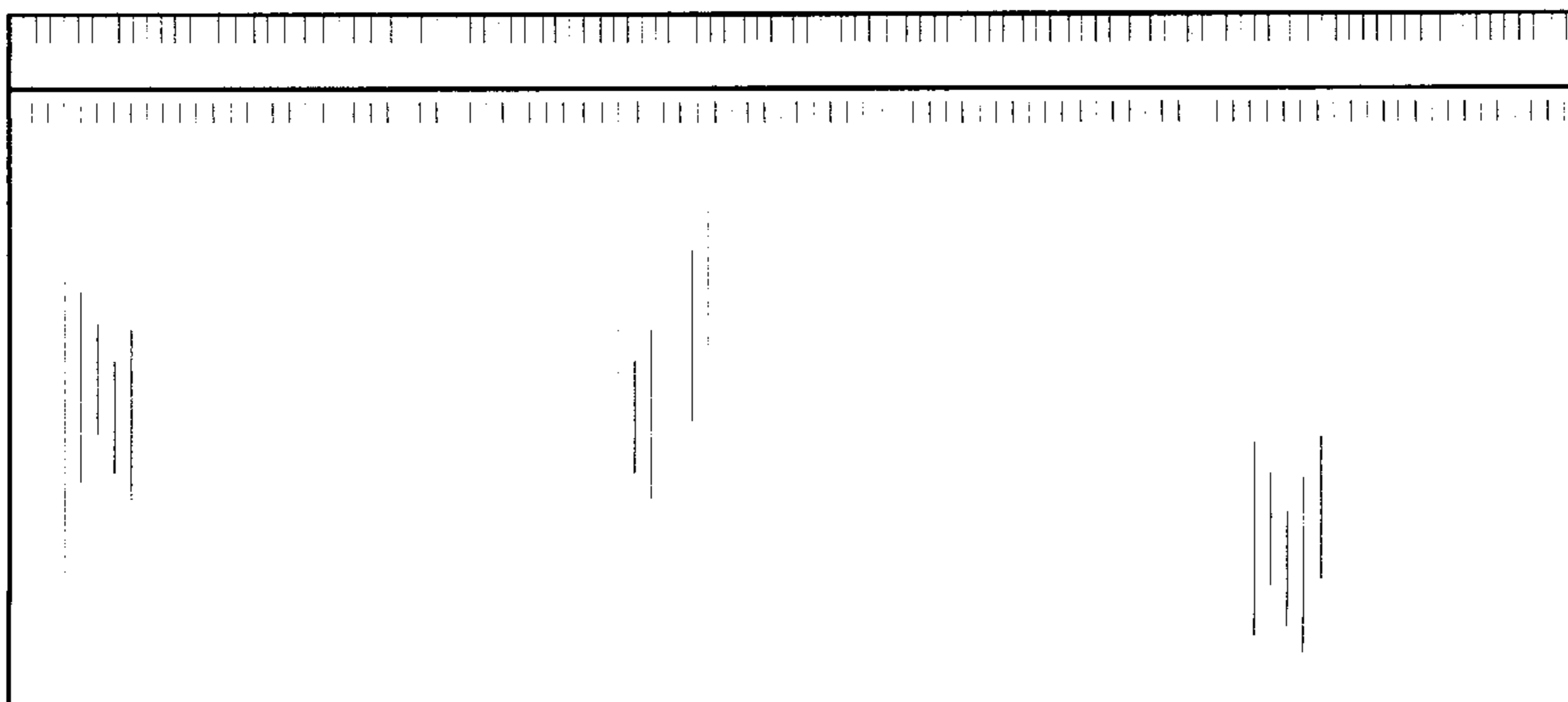


FIG. 3

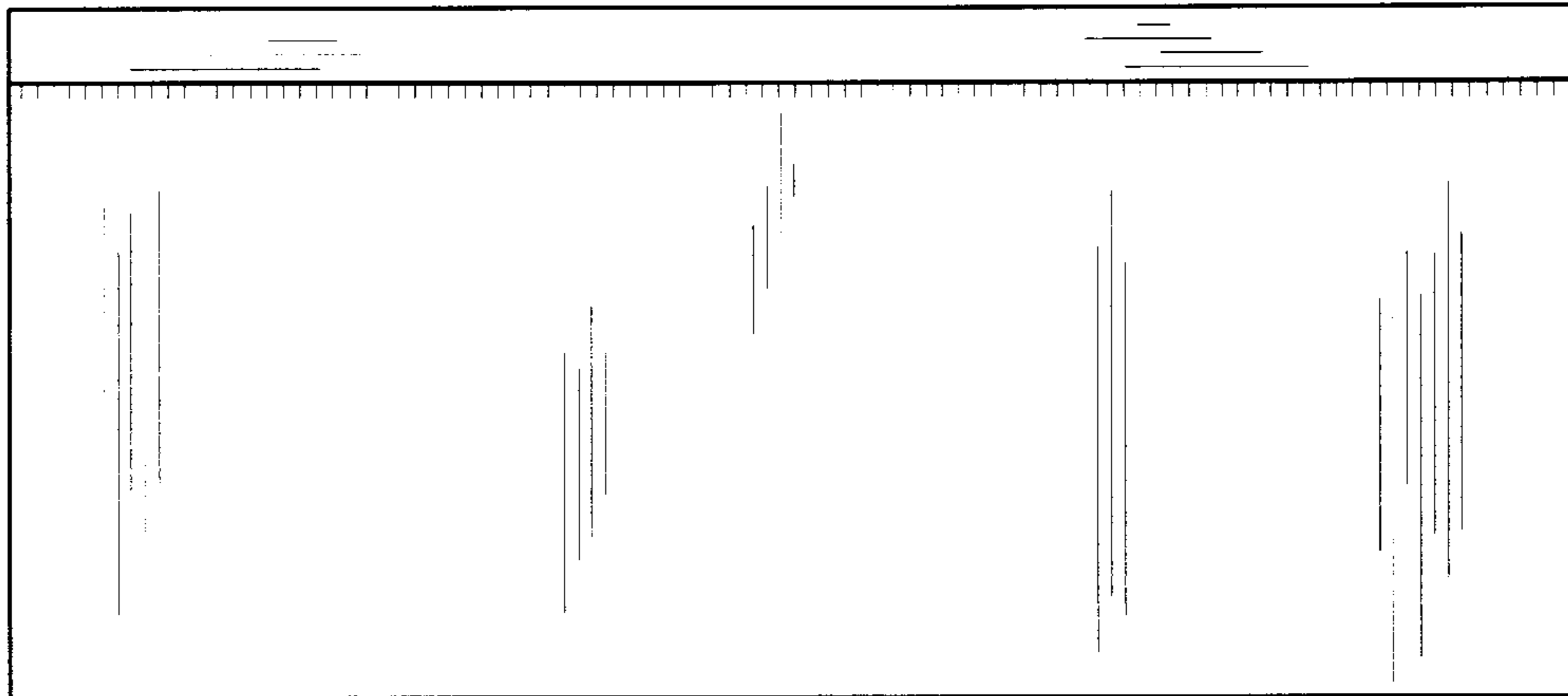


FIG. 4

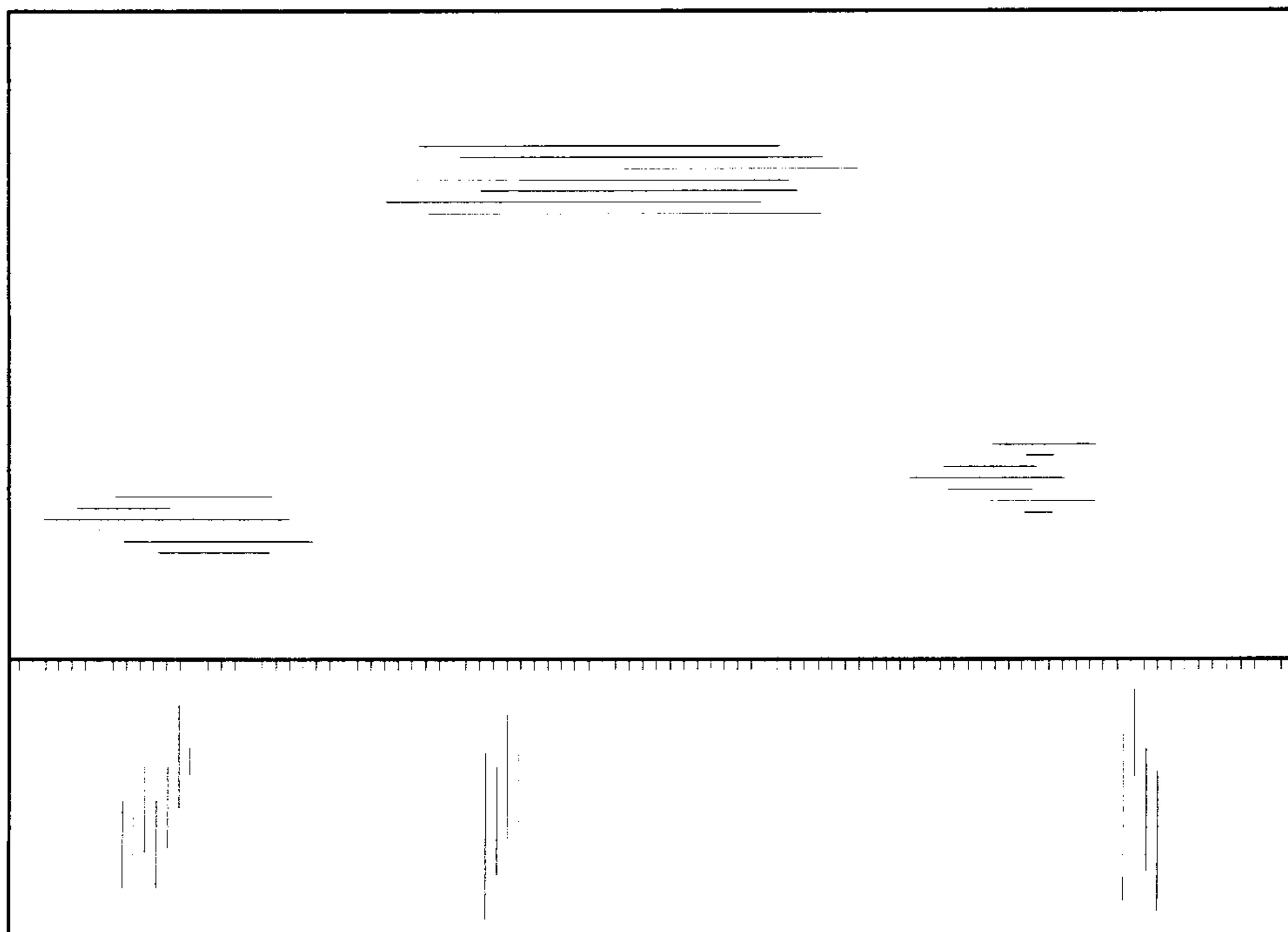


FIG. 5

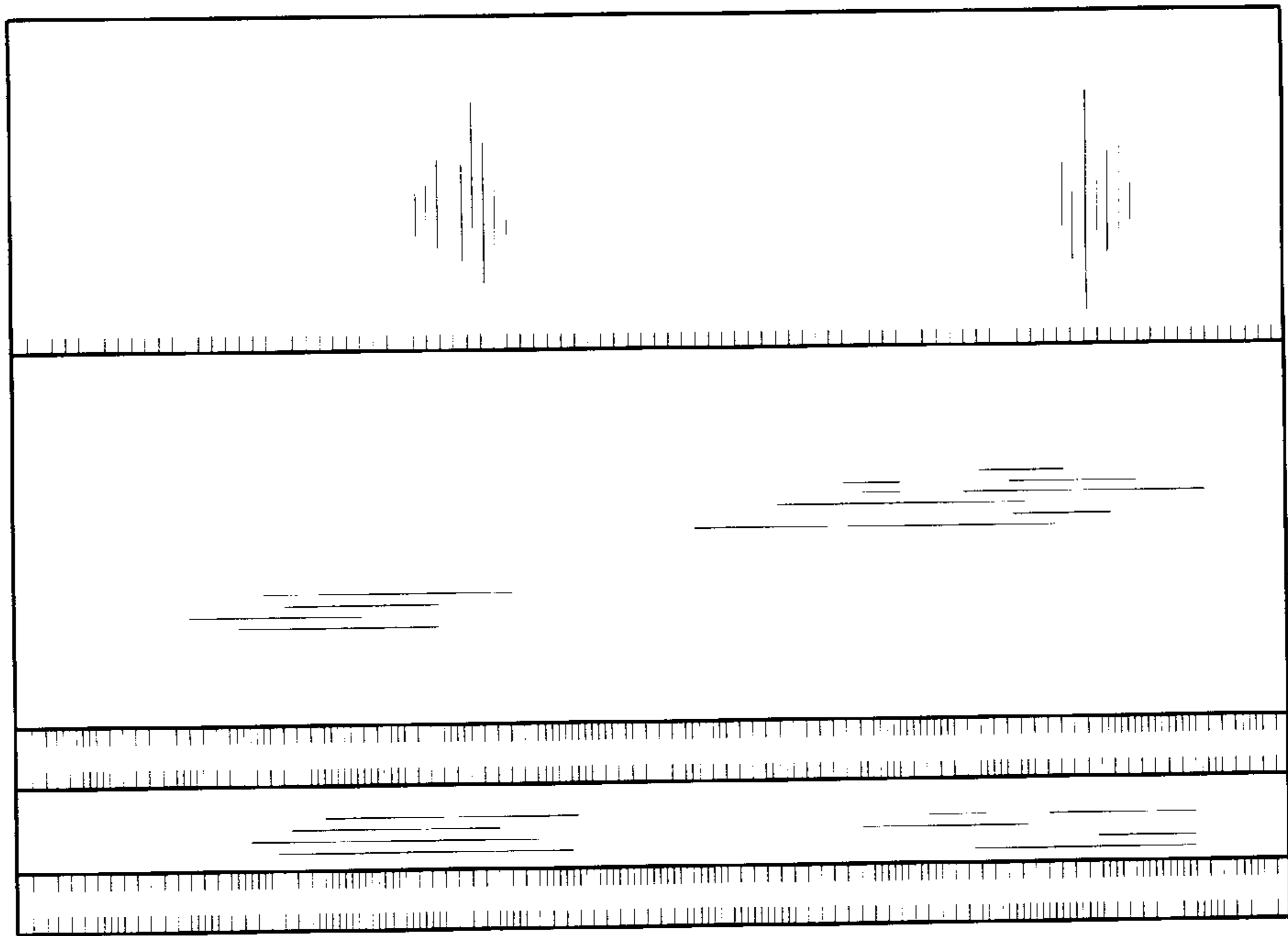


FIG. 6

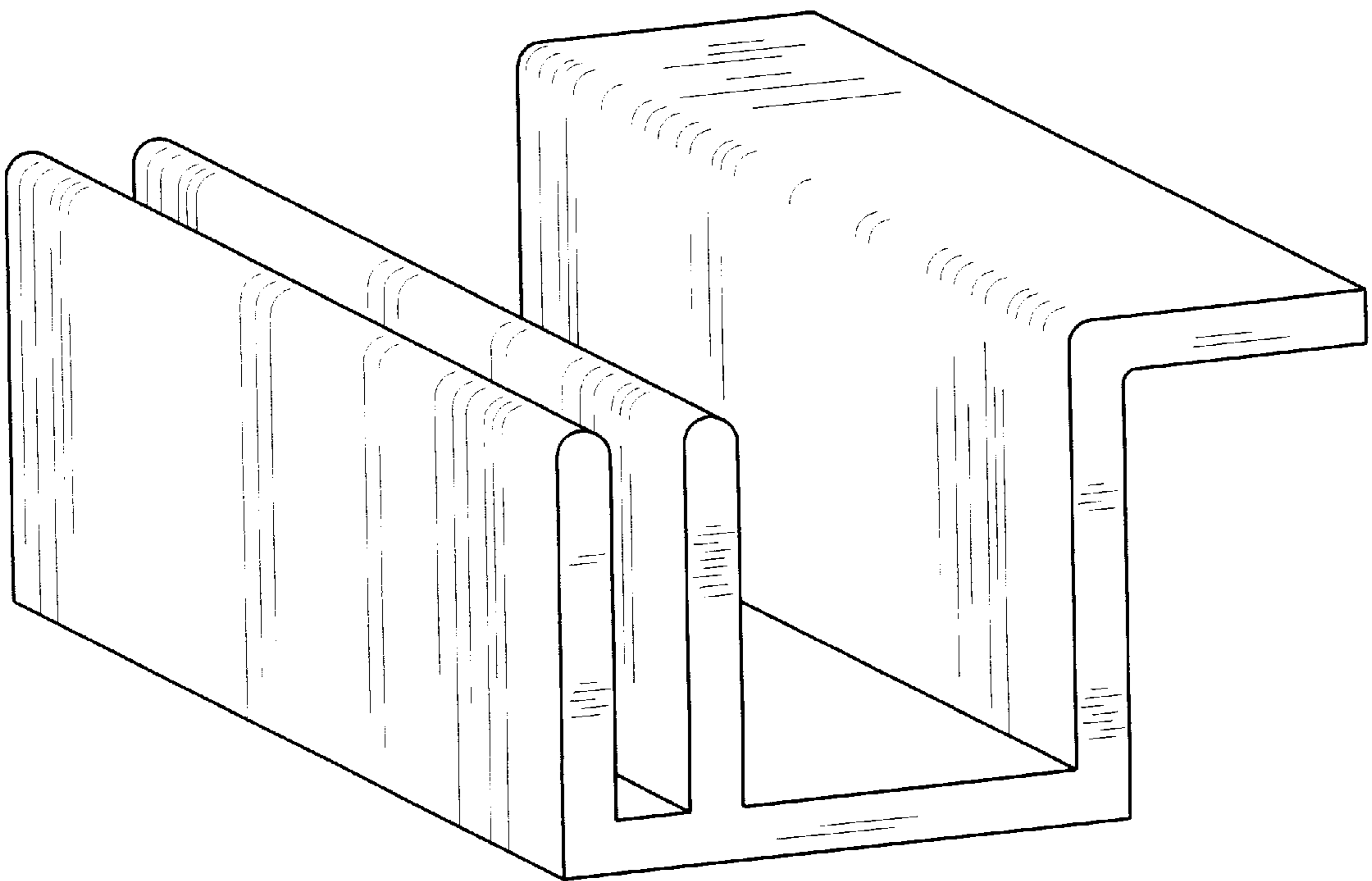


FIG. 7

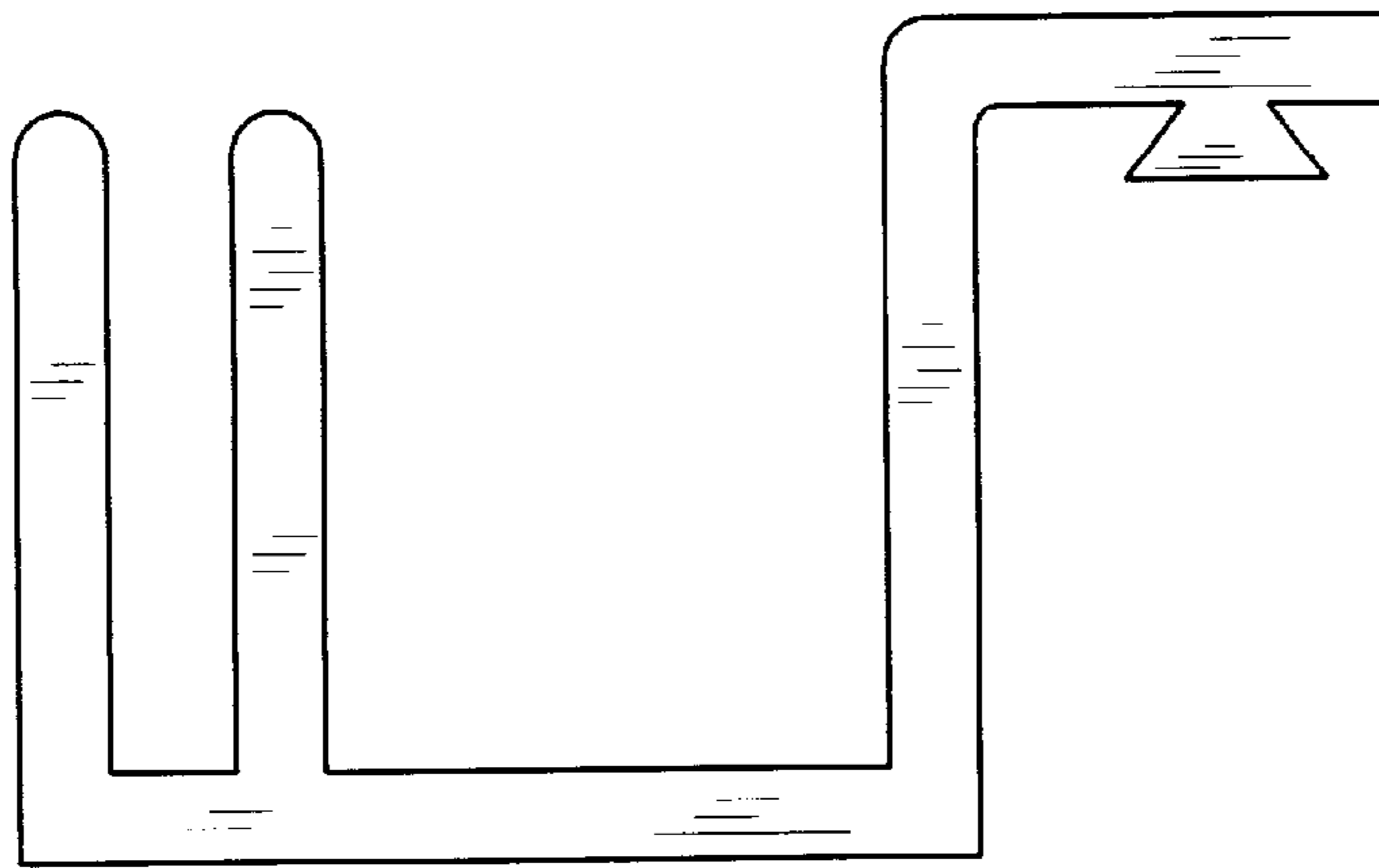


FIG. 8

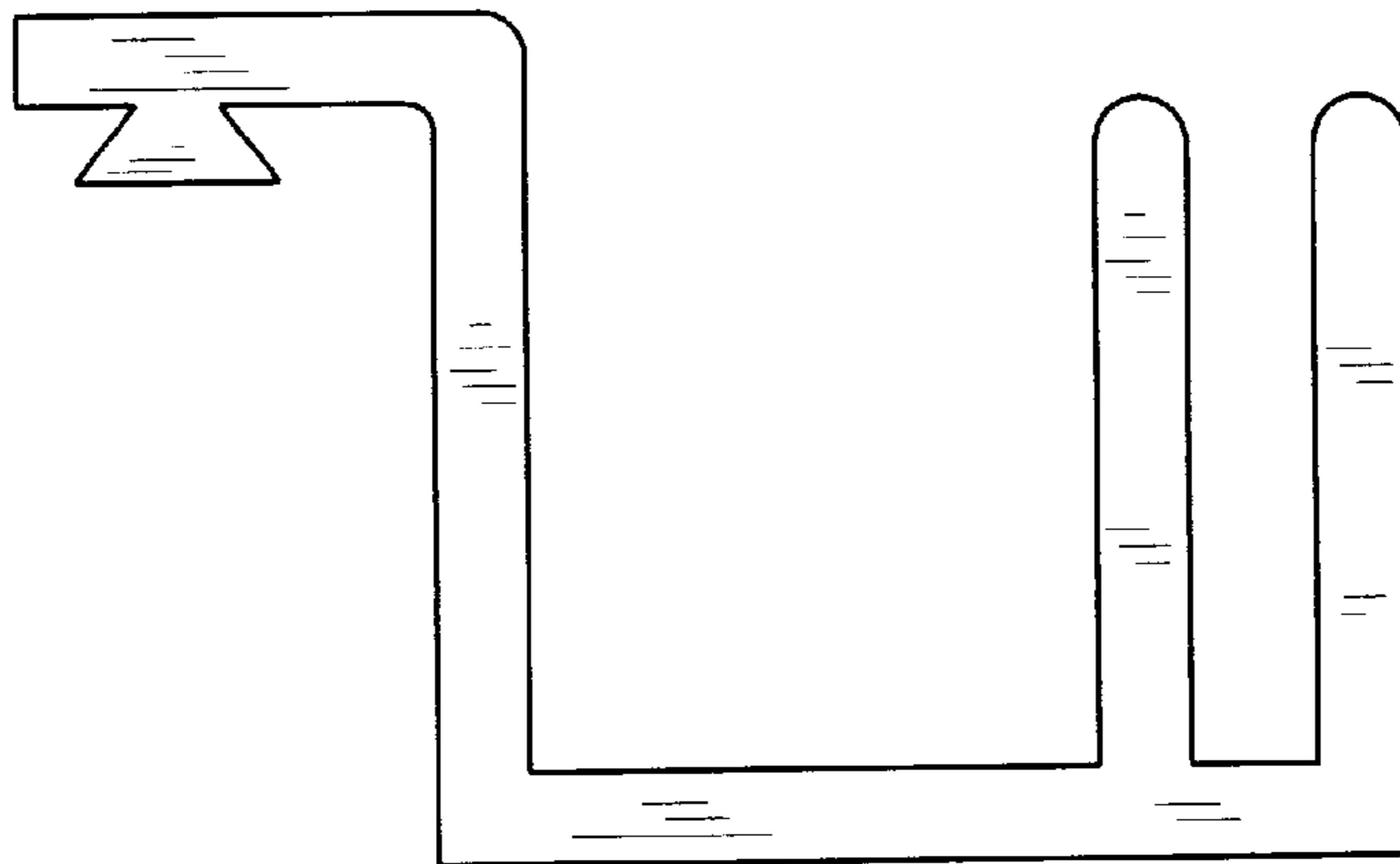


FIG. 9

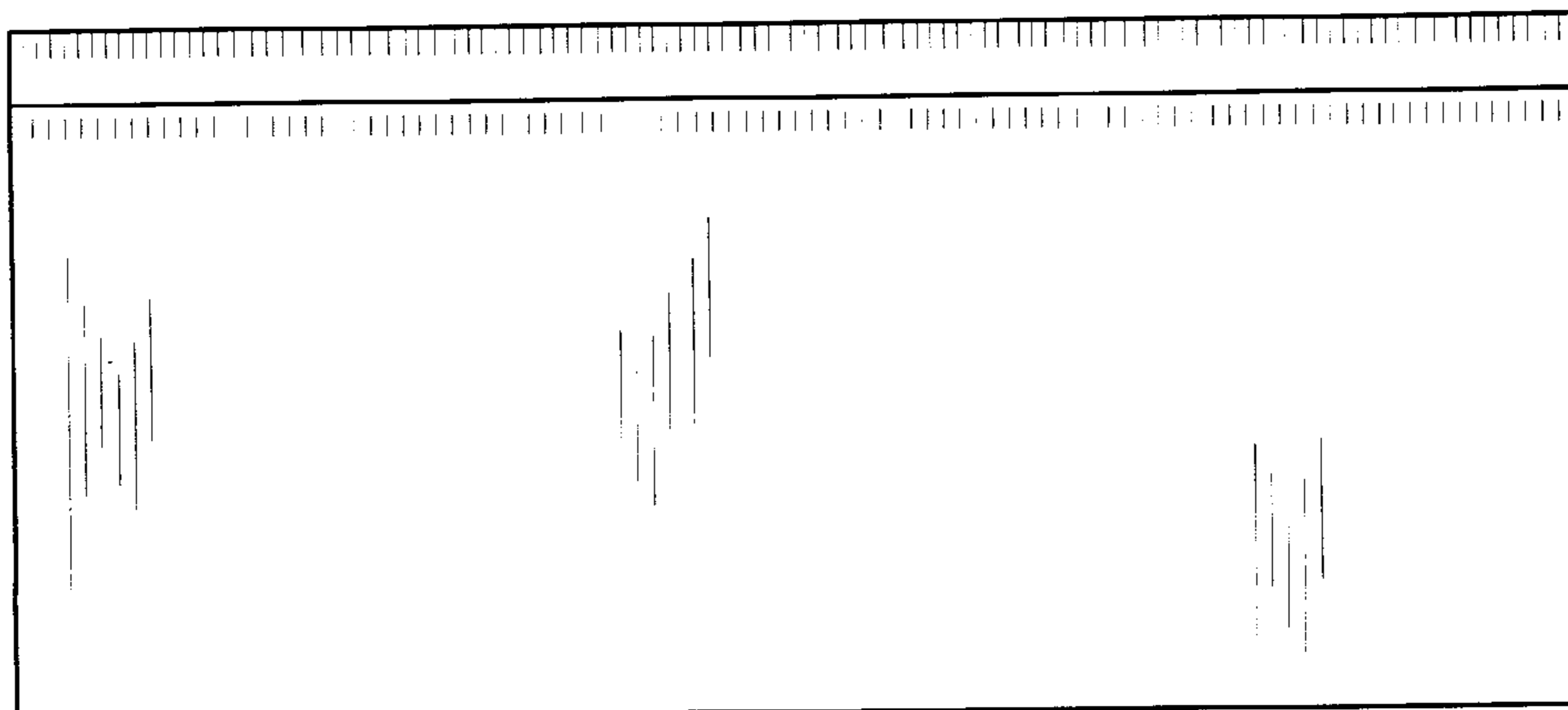


FIG. 10

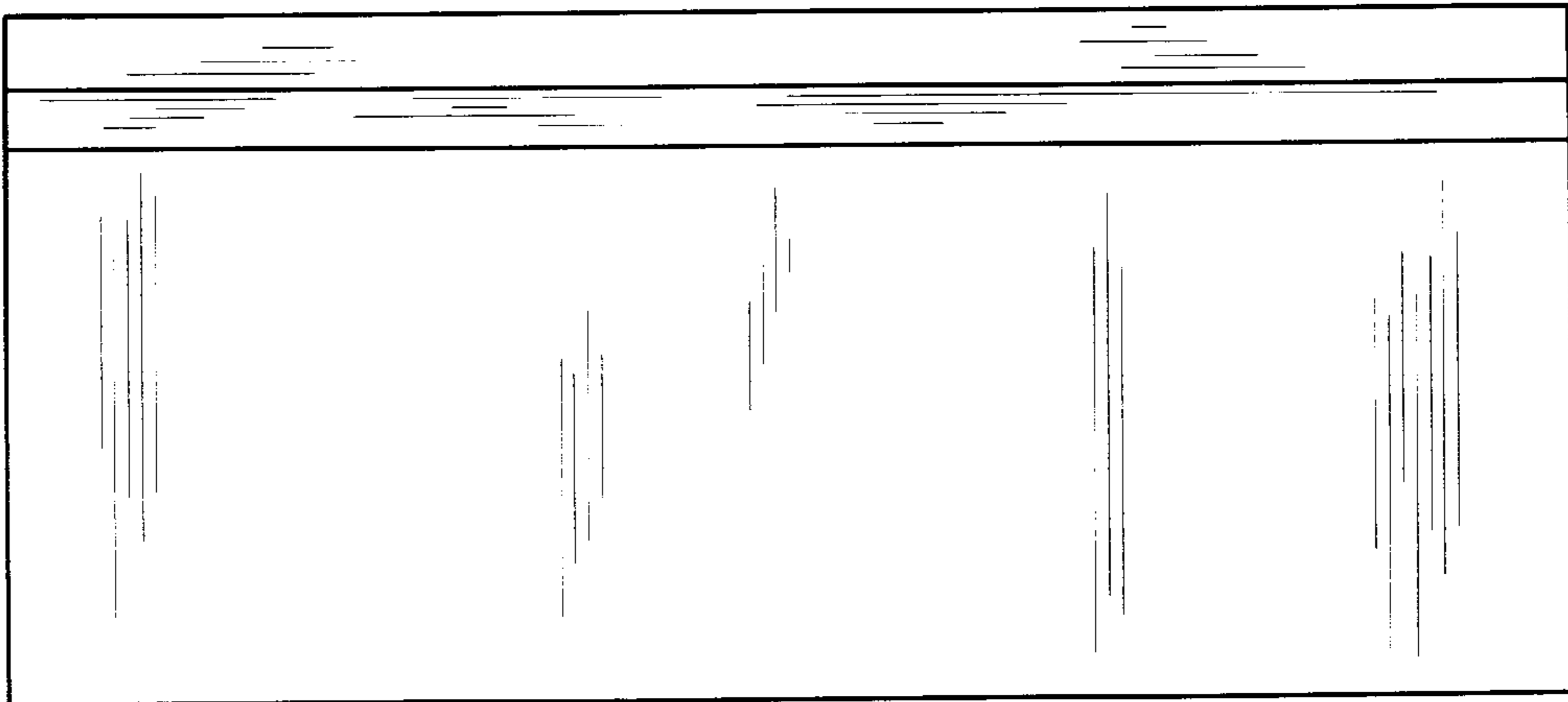


FIG. 11

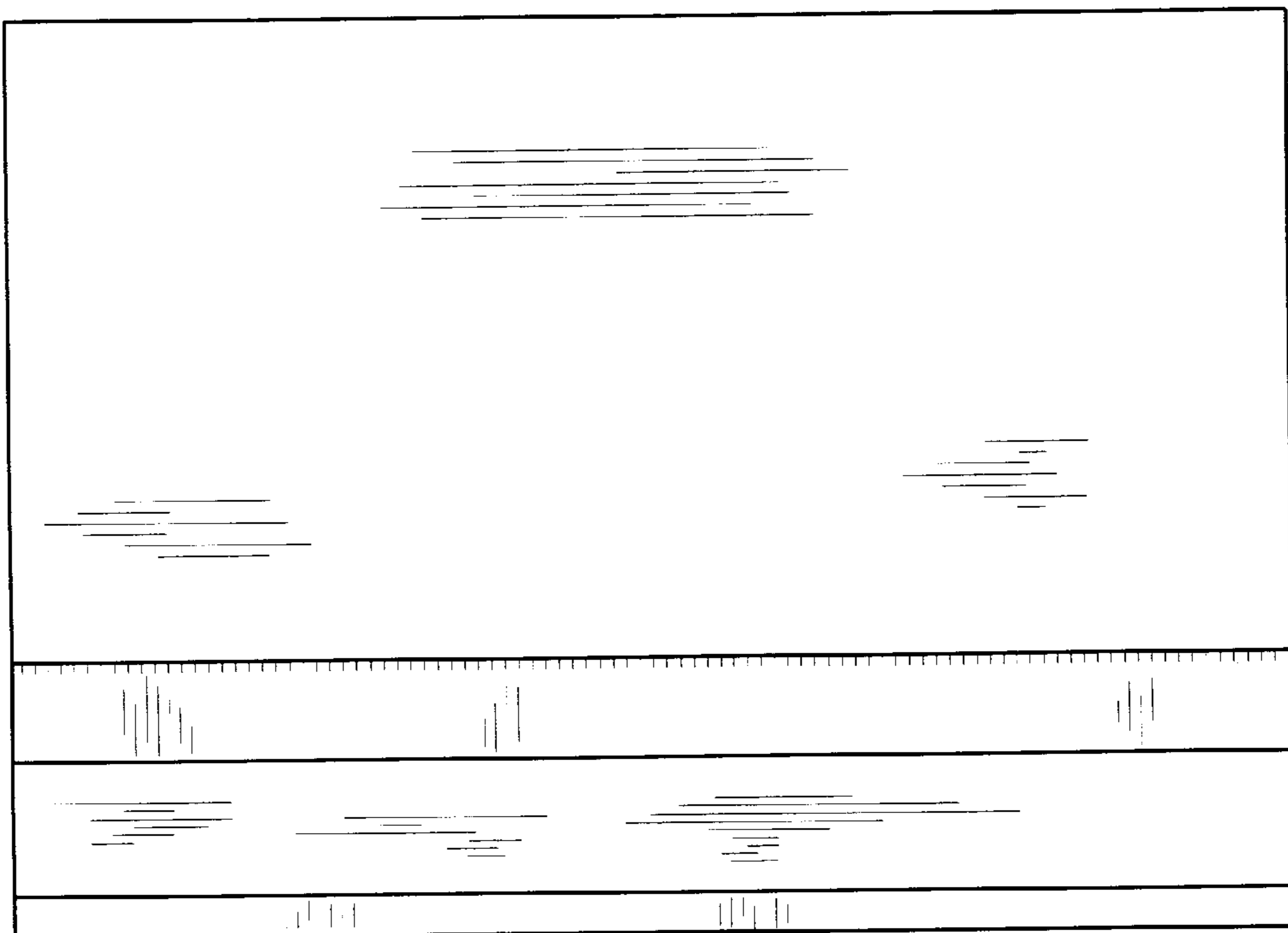


FIG. 12

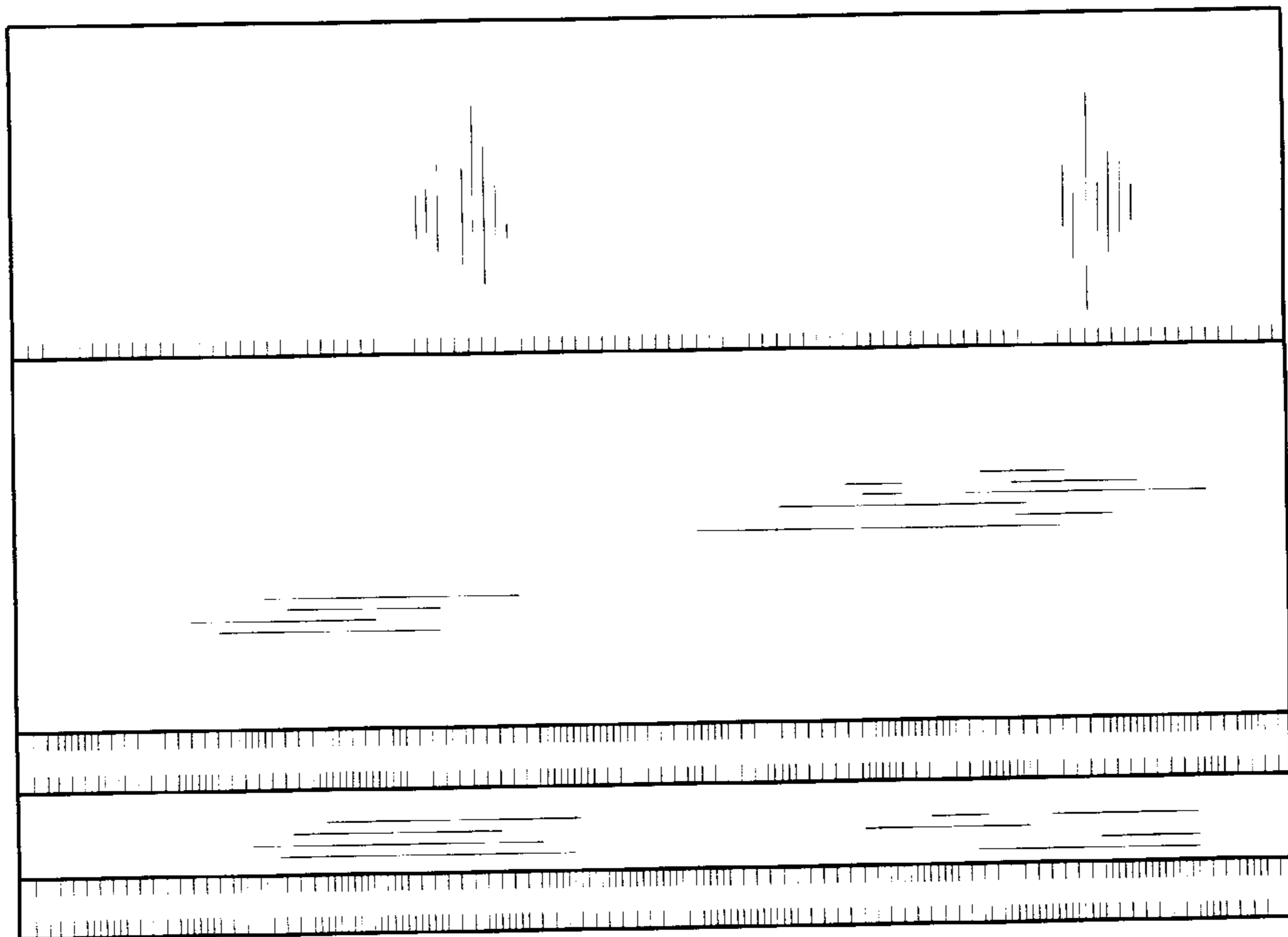


FIG. 13

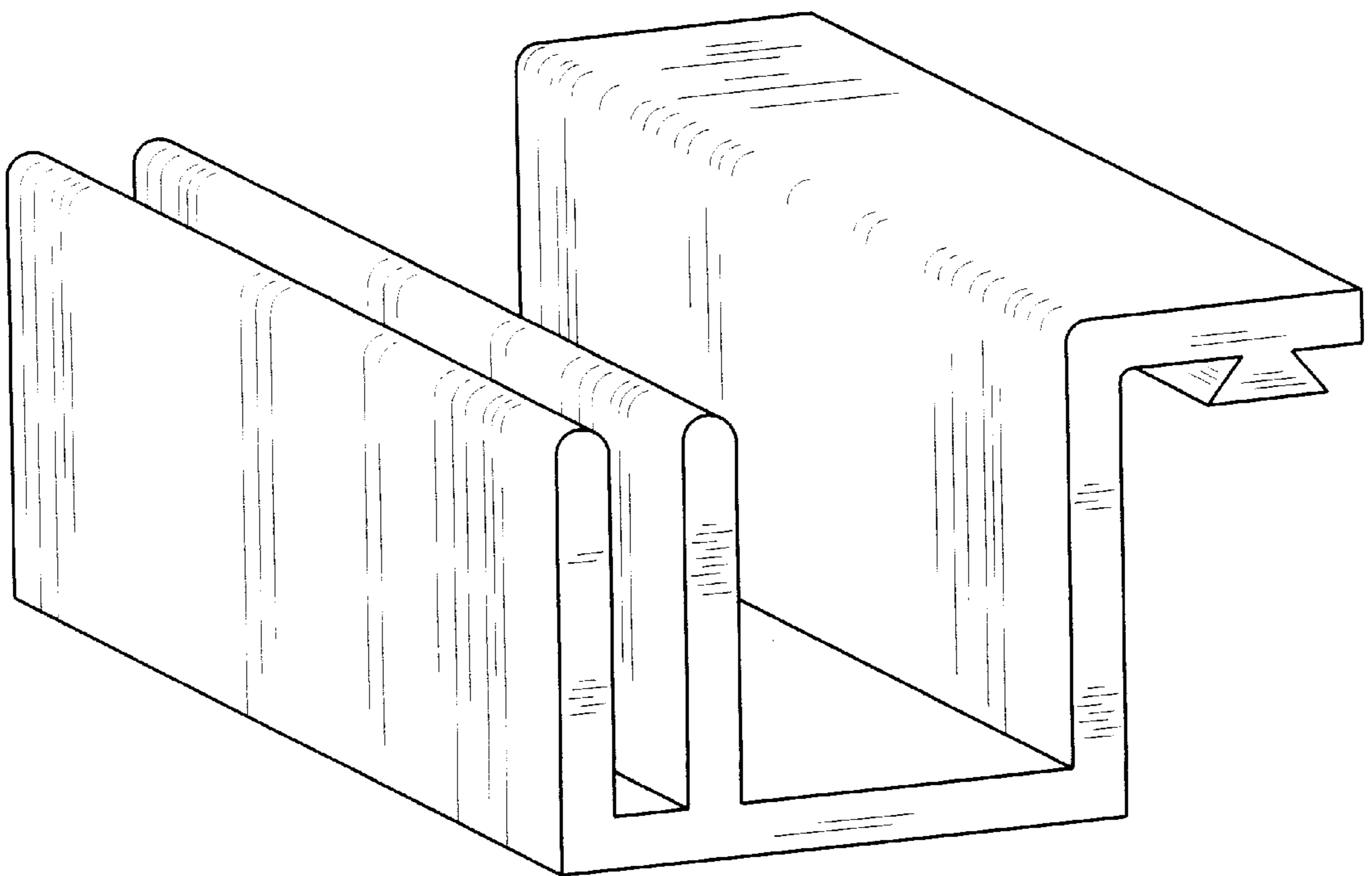


FIG. 14