



US00D453212S

(12) **United States Design Patent**
Wakasa

(10) **Patent No.:** **US D453,212 S**

(45) **Date of Patent:** **** Jan. 29, 2002**

(54) **COVER FOR A HEAT EXCHANGER**

(75) Inventor: **Masamichi Wakasa**, Tokyo (JP)

(73) Assignee: **Toshiba Carrier Kabushiki Kaisha**,
Tokyo (JP)

(**) Term: **14 Years**

(21) Appl. No.: **29/129,568**

(22) Filed: **Sep. 19, 2000**

(30) **Foreign Application Priority Data**

Mar. 27, 2000 (JP) 12-007440

(51) **LOC (7) Cl.** **23-04**

(52) **U.S. Cl.** **D23/325**

(58) **Field of Search** D23/325; D12/181;
296/180.4; 62/239, 259.1, 263

(56) **References Cited**

U.S. PATENT DOCUMENTS

4,078,395 A * 3/1978 Crowe et al.
D283,437 S * 4/1986 Nalmy et al.

D309,346 S * 7/1990 Allard et al.

D318,107 S * 7/1991 Allard et al.

5,878,592 A * 3/1999 Borges et al.

* cited by examiner

Primary Examiner—B. J. Bullock

(74) *Attorney, Agent, or Firm*—Oblon, Spivak, McClelland,
Maier & Neustadt, P.C.

(57) **CLAIM**

The ornamental design for a cover for a heat exchanger, as shown and described.

DESCRIPTION

FIG. 1 is a front, top and right side perspective view of a cover for a heat exchanger showing my new design;

FIG. 2 is a top plan view thereof;

FIG. 3 is a front elevational view thereof;

FIG. 4 is a right side elevational view thereof, a left side being a mirror image thereof;

FIG. 5 is a rear elevational view thereof; and,

FIG. 6 is a bottom plan view thereof.

1 Claim, 2 Drawing Sheets

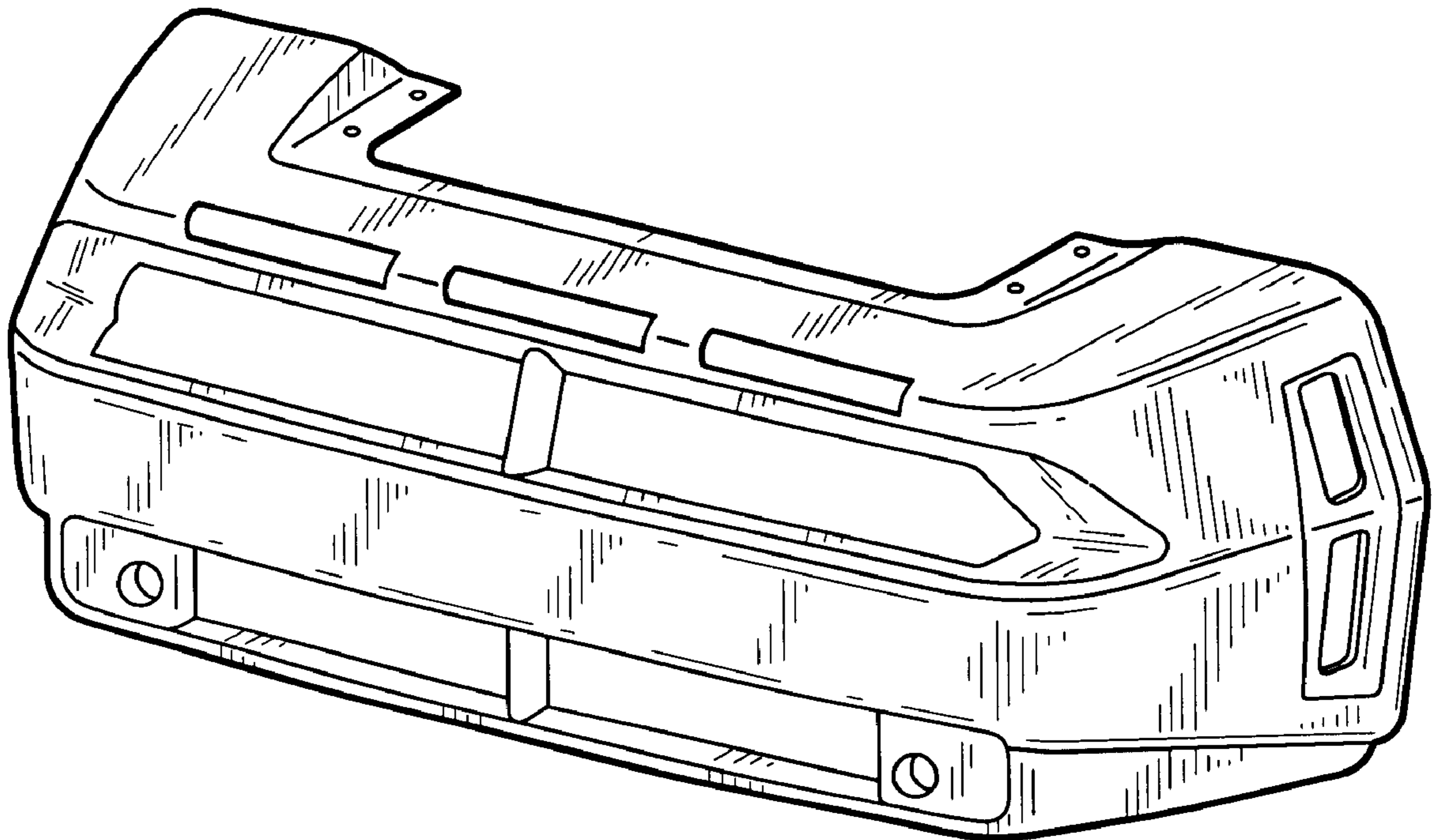


FIG. 1

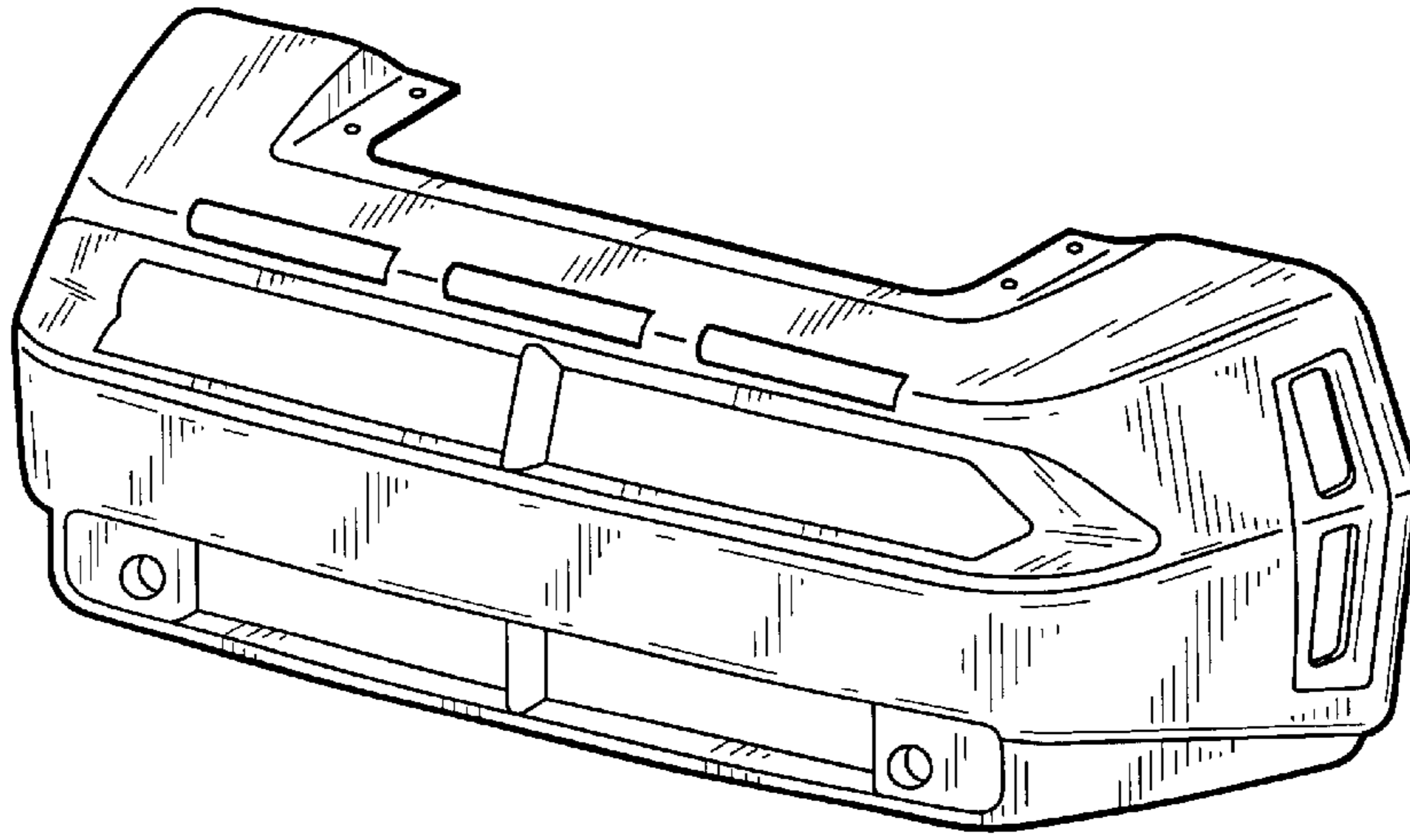


FIG. 2

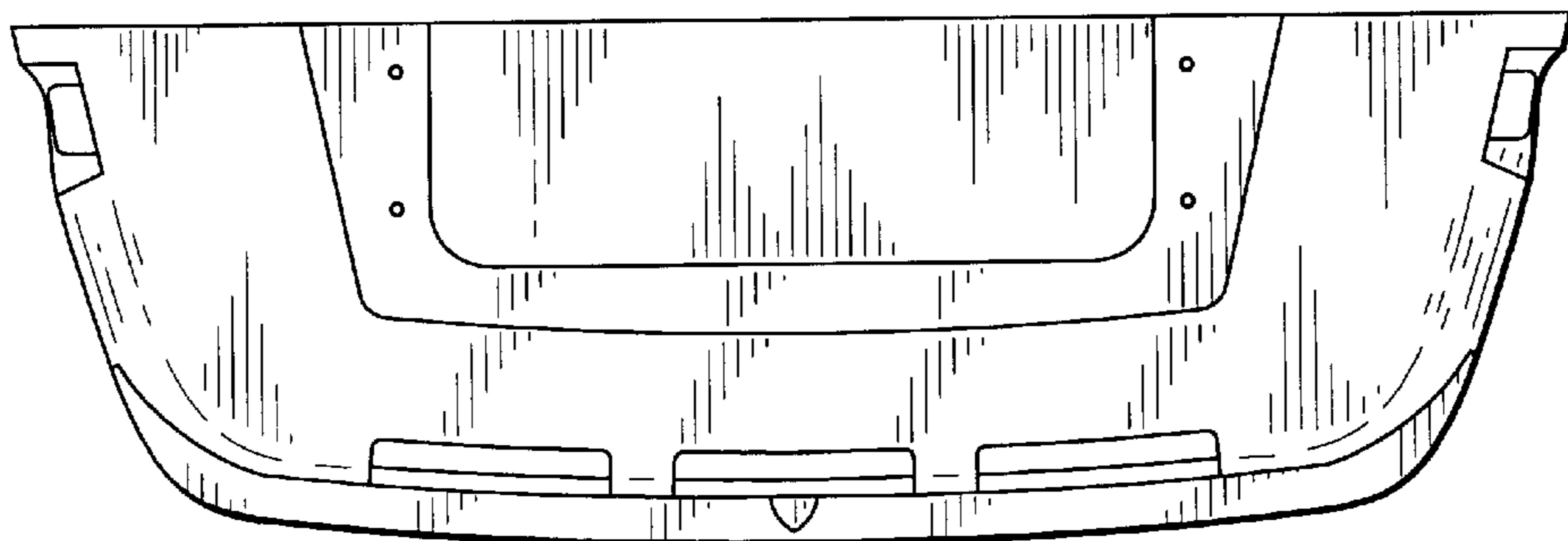


FIG. 3

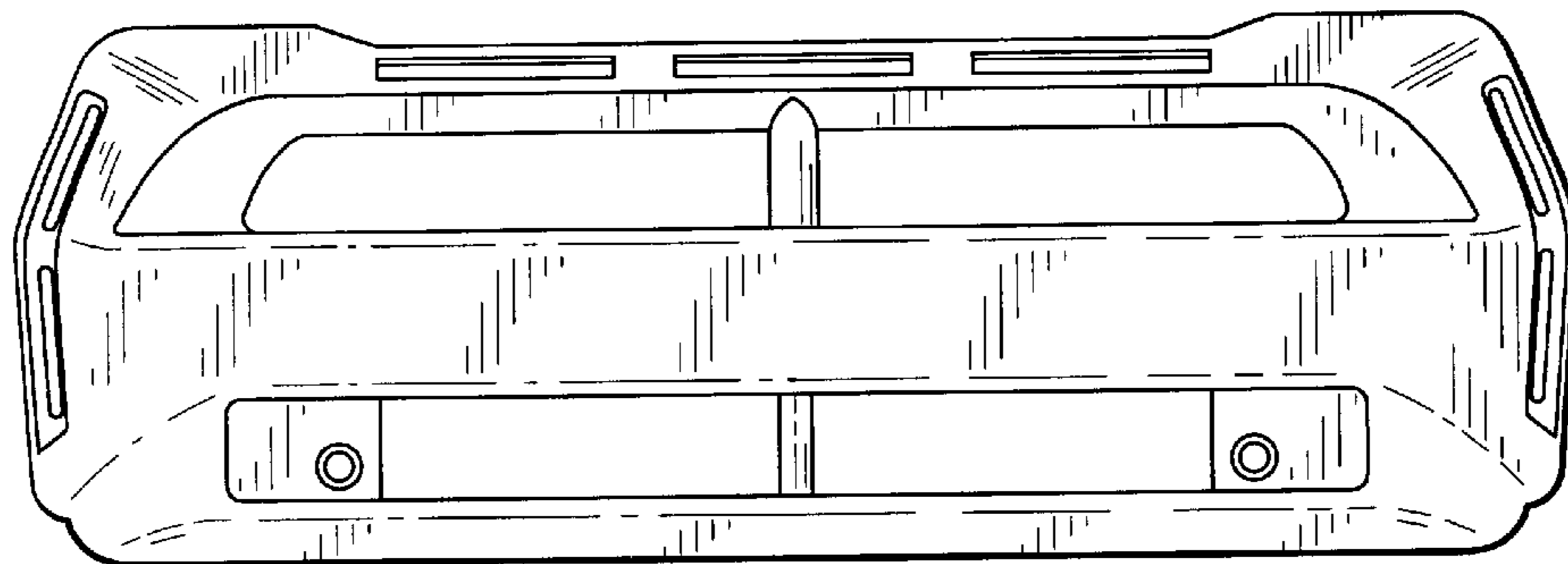


FIG. 4

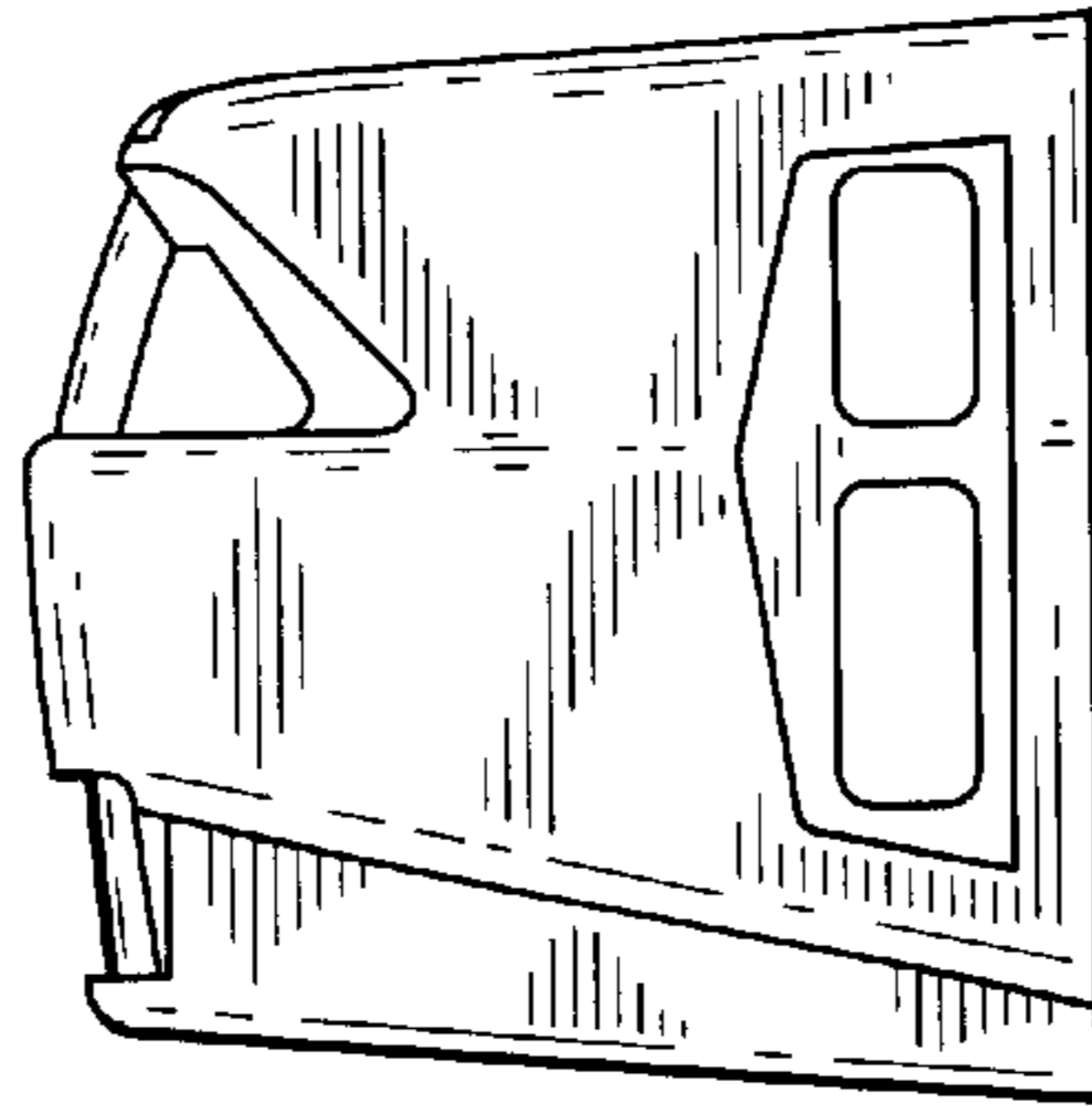


FIG. 5

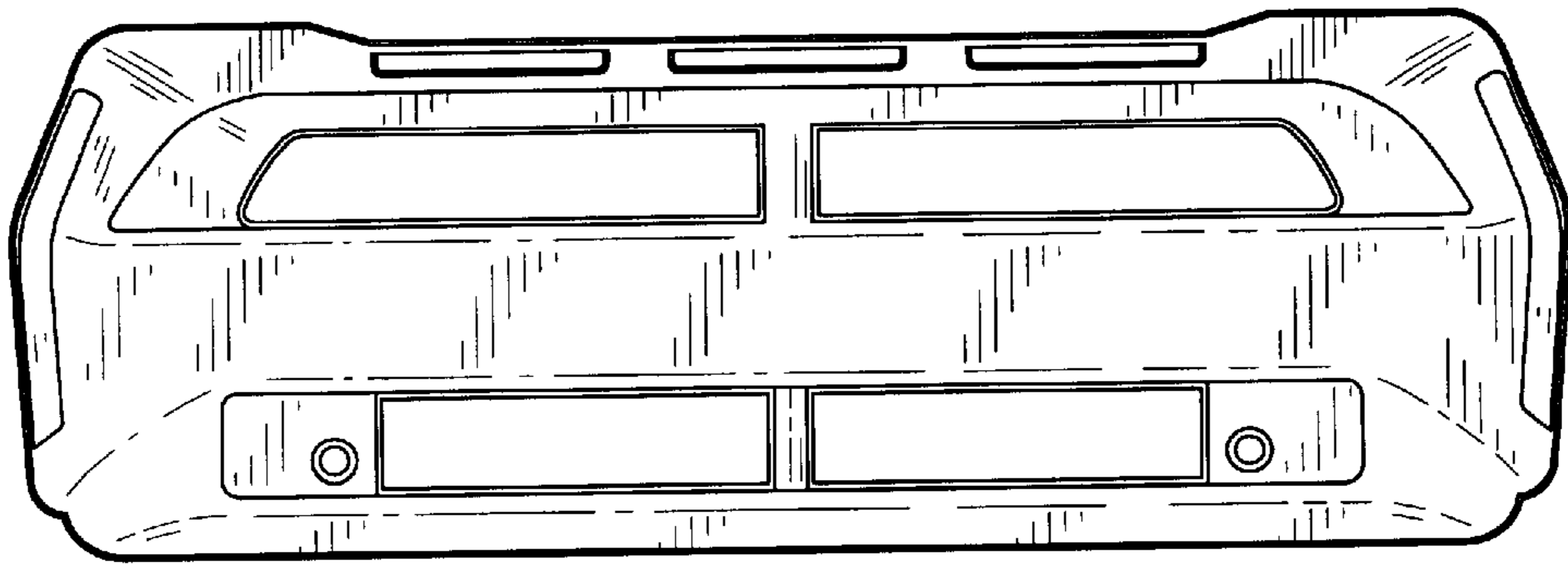
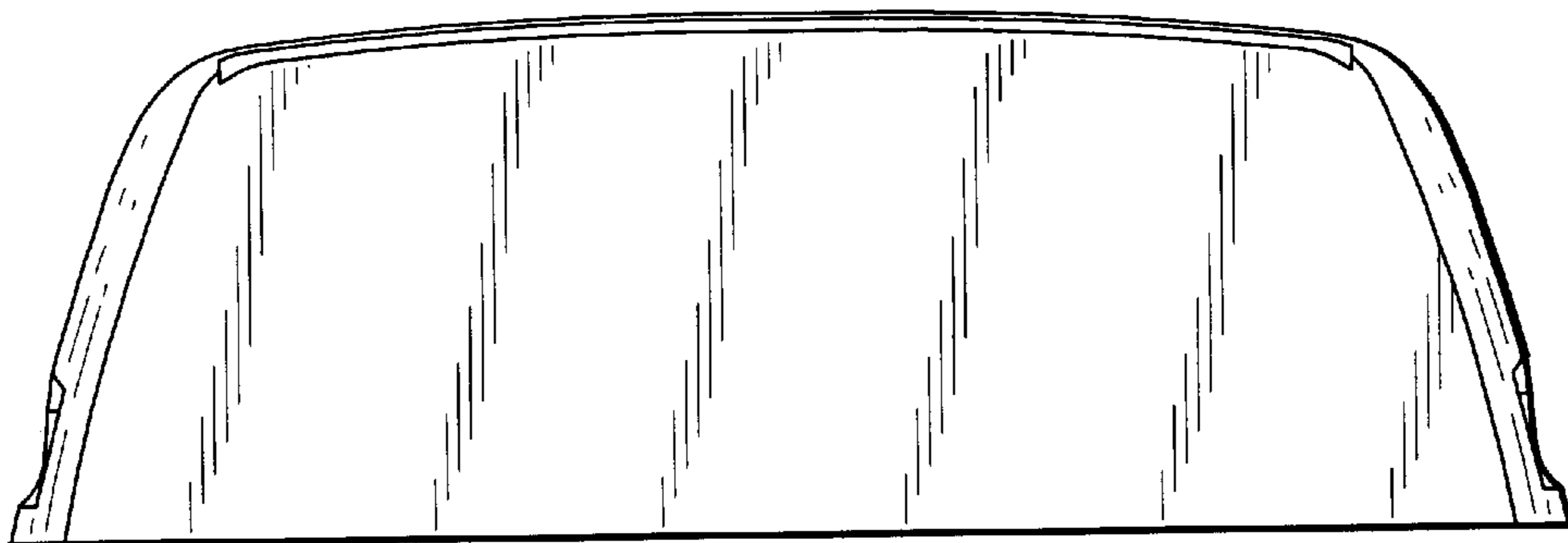


FIG. 6



UNITED STATES PATENT AND TRADEMARK OFFICE
CERTIFICATE OF CORRECTION

PATENT NO. : Des. 453,212 S
DATED : January 29, 2002
INVENTOR(S) : Wakasa

Page 1 of 1

It is certified that error appears in the above-identified patent and that said Letters Patent is hereby corrected as shown below:

Title page,

Item [30] the **Foreign Application Priority** information should read:

-- [30] **Foreign Application Priority Data**
Mar. 27, 2000 (JP) 2000-007440 --

Signed and Sealed this

Third Day of September, 2002

Attest:



Attesting Officer

JAMES E. ROGAN
Director of the United States Patent and Trademark Office