



US00D453208S

(12) **United States Design Patent**  
**Jones et al.**

(10) **Patent No.:** **US D453,208 S**

(45) **Date of Patent:** **\*\* Jan. 29, 2002**

(54) **TUB**

D393,698 S \* 4/1998 Palacin ..... D23/277  
D394,696 S \* 5/1998 Hundley ..... D23/280.1

(75) Inventors: **Sherry Lynn Jones**, Pataskala; **Paul P. Kolada**, Bexley; **Michael J. Painter**; **Sean W. Svendsen**, both of Columbus, all of OH (US)

\* cited by examiner

*Primary Examiner*—Louis S. Zarfes

*Assistant Examiner*—Robert A. Delehanty

(73) Assignee: **American Standard Inc.**, Piscataway, NJ (US)

(74) *Attorney, Agent, or Firm*—Kramer Levin Naftalis & Frankel LLP

(\*\*) Term: **14 Years**

(57) **CLAIM**

The ornamental design for a tub, as shown and described.

(21) Appl. No.: **29/140,804**

**DESCRIPTION**

(22) Filed: **Apr. 25, 2001**

(51) **LOC (7) Cl.** ..... **23-02**

(52) **U.S. Cl.** ..... **D23/280.1**

(58) **Field of Search** ..... D23/270, 275–279,  
D23/280.1–280.4, 303–305; 4/538, 541.1–541.6,  
545–548, 551, 555, 559, 580, 584–586,  
592

FIG. 1 is a top perspective view of a tub showing our new design in full lines, and environmental association matter shown in broken lines and forms no part of the claimed design;

FIG. 2 is a top plan view thereof; with environmental association matter shown in broken lines and forms no part of the claimed design;

FIG. 3 is a right side elevational view thereof;

FIG. 4 is a front elevational view thereof; and,

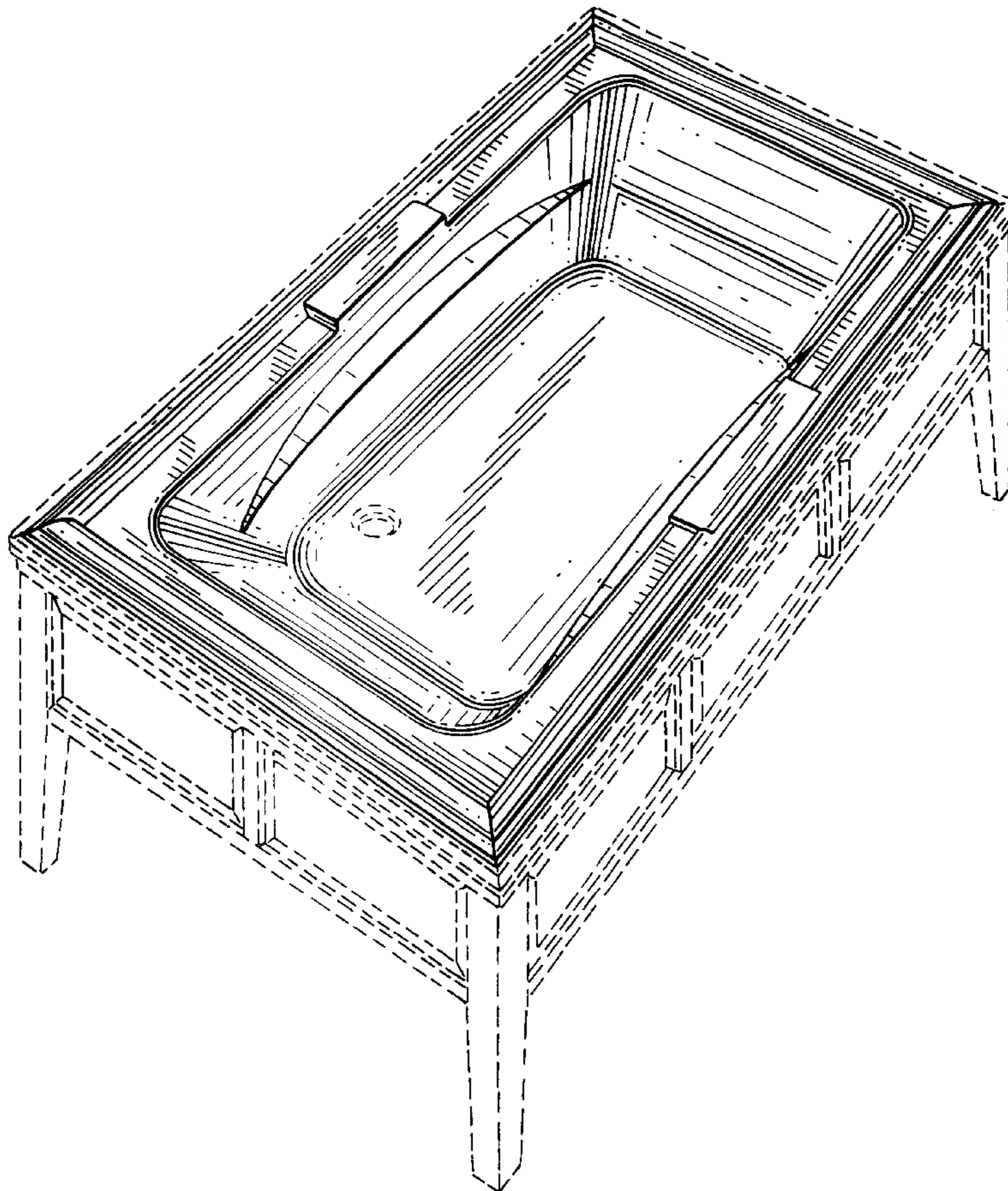
FIG. 5 is a bottom plan view thereof, with environmental matter shown in broken lines and forms no part of the claimed design.

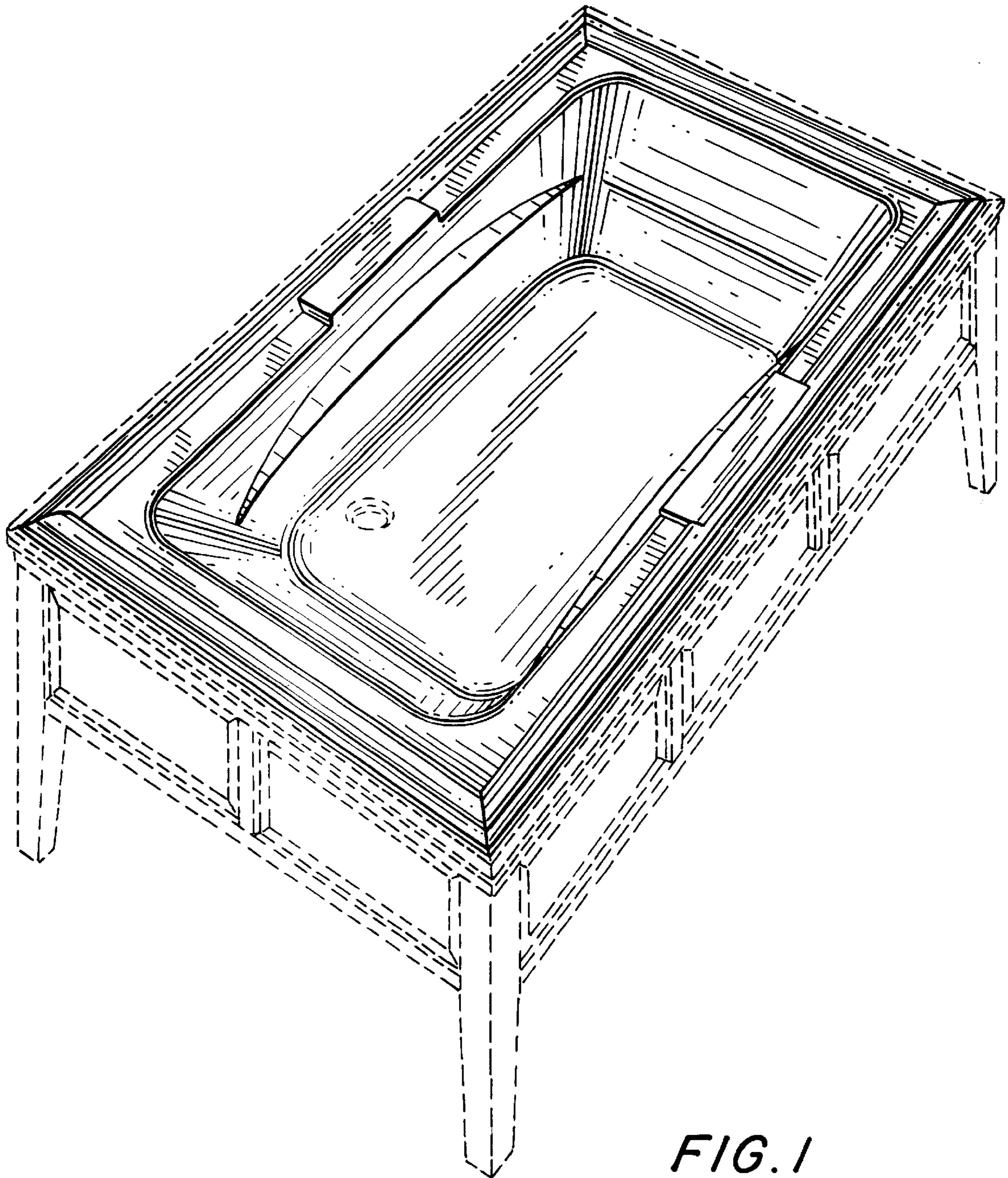
(56) **References Cited**

**U.S. PATENT DOCUMENTS**

D252,941 S \* 9/1979 Fairchild ..... D23/280.1  
D362,049 S \* 9/1995 Jacuzzi ..... D23/277  
D393,697 S \* 4/1998 Hundley ..... D23/277

**1 Claim, 4 Drawing Sheets**





*FIG. 1*



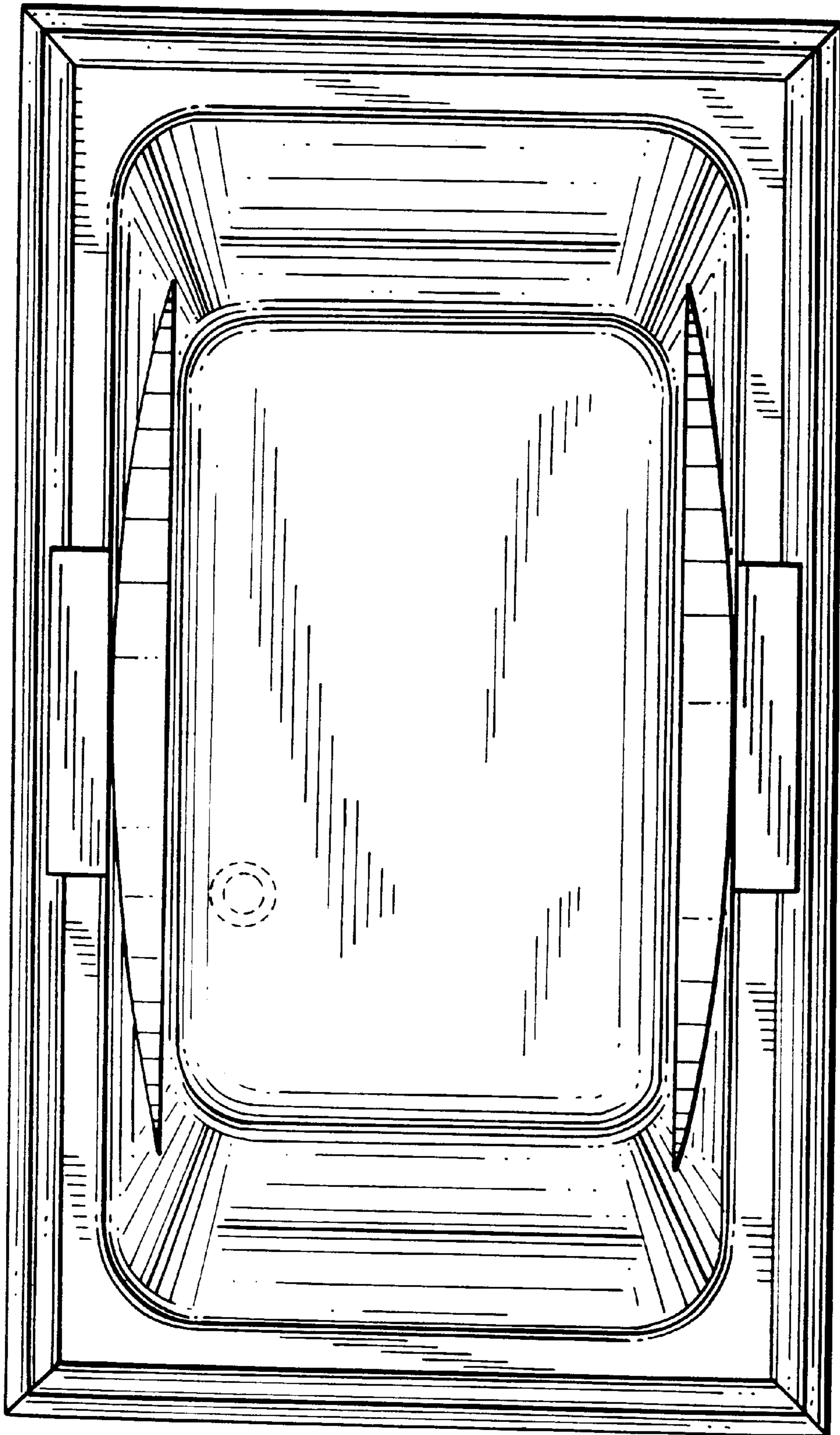


FIG. 2

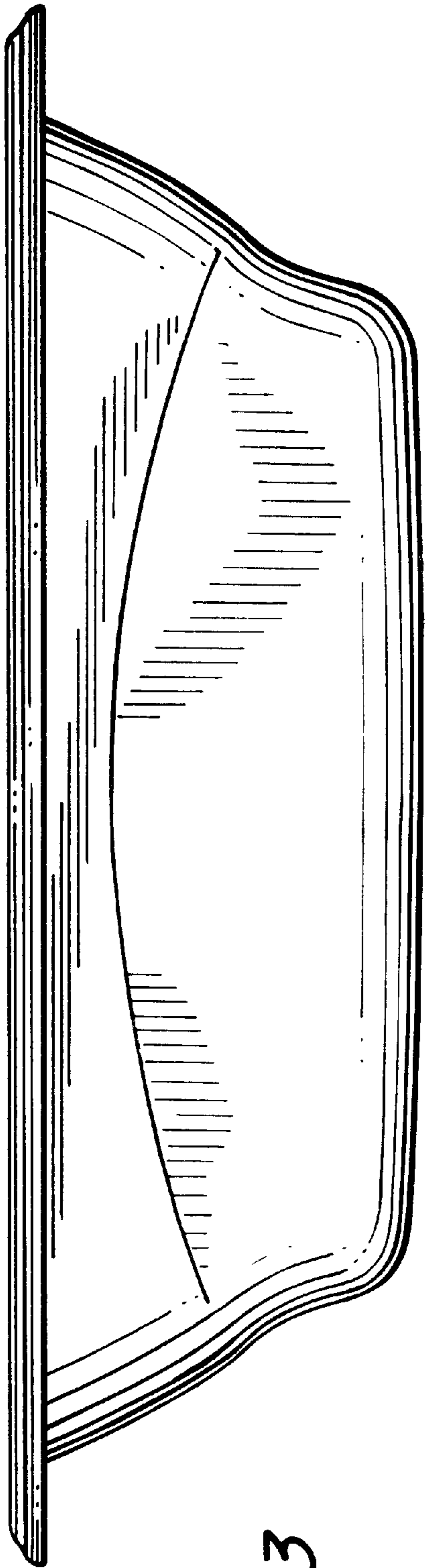


FIG. 3

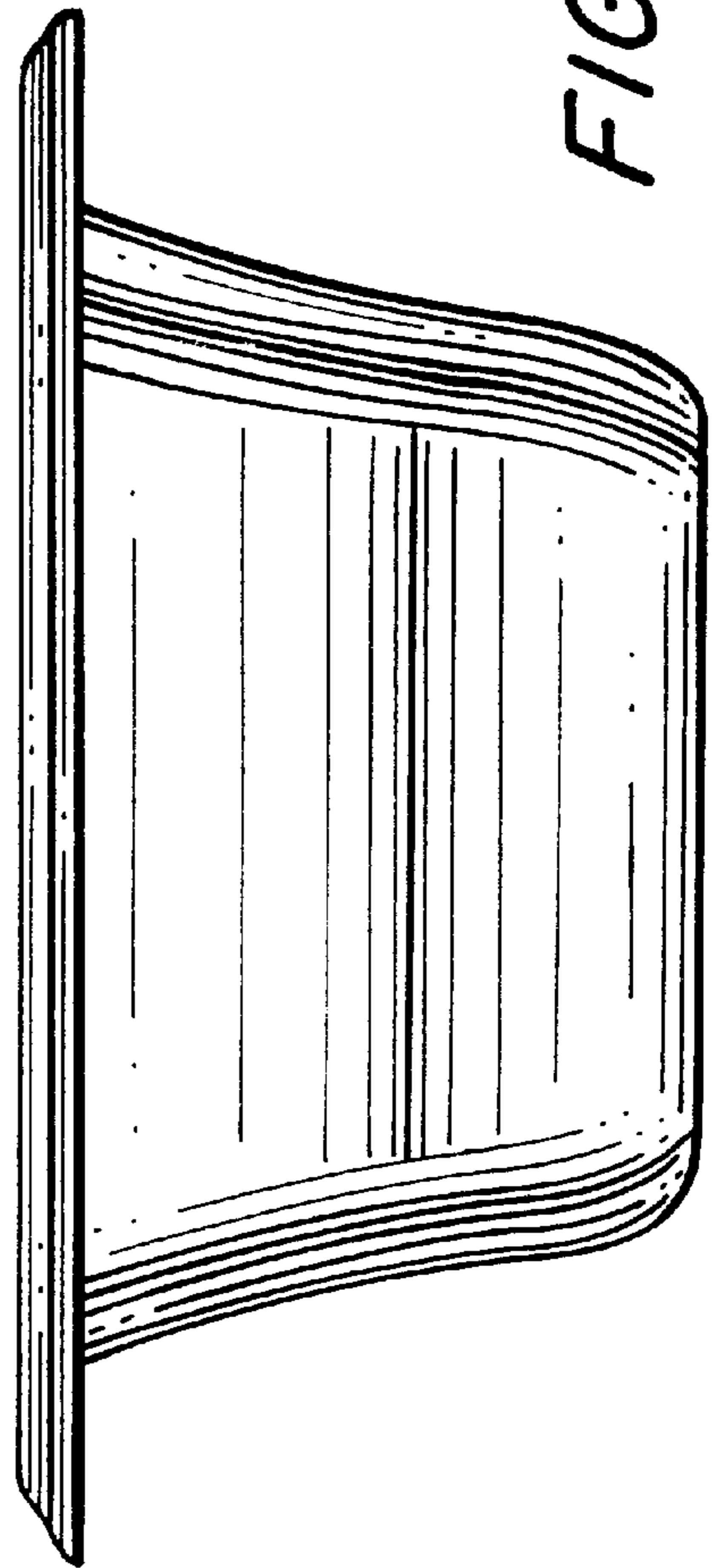


FIG. 4

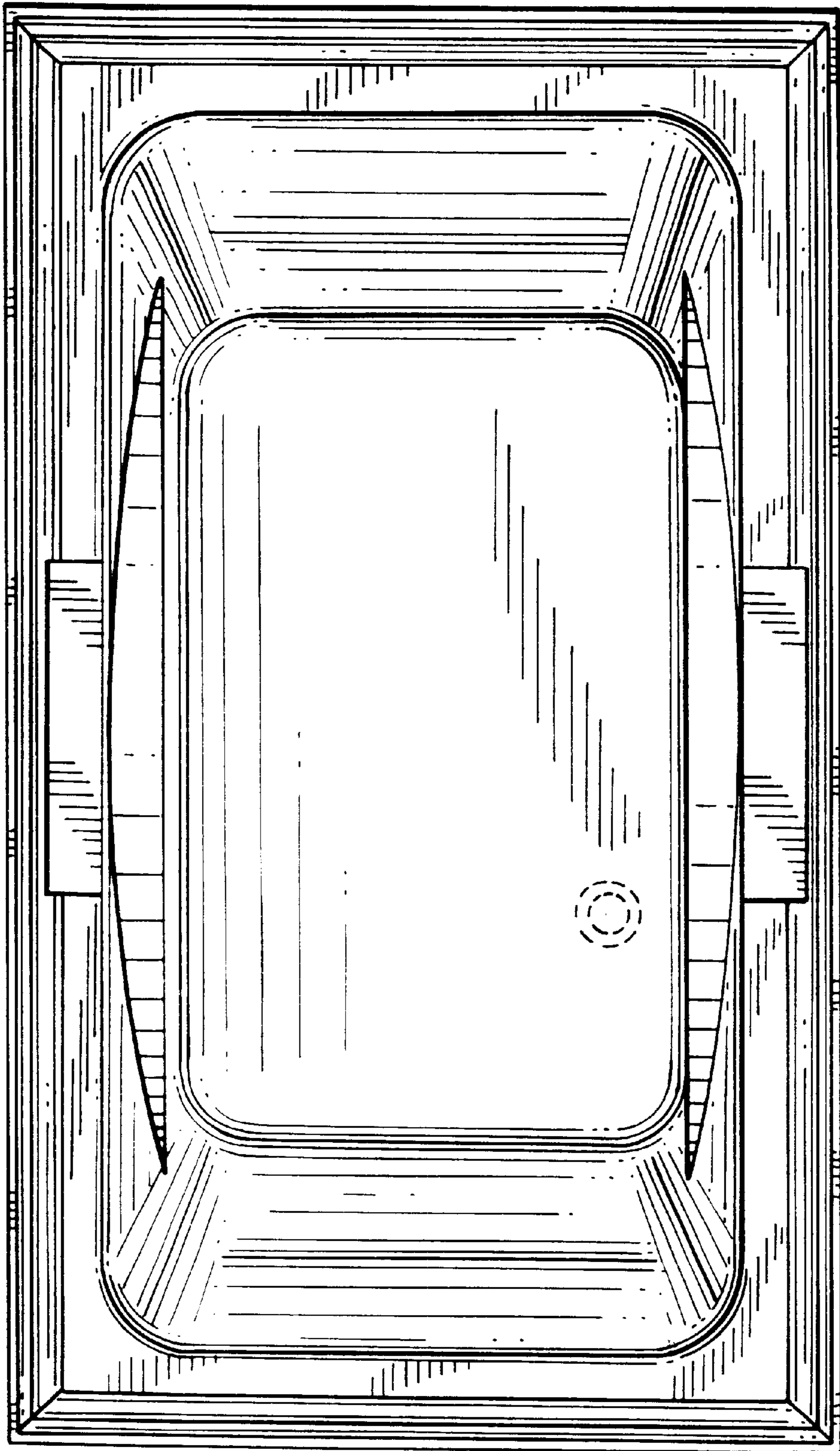


FIG. 5