



US00D453206S

(12) **United States Design Patent**
Hsiao

(10) **Patent No.:** **US D453,206 S**

(45) **Date of Patent:** **** Jan. 29, 2002**

(54) **GAS REGULATOR**

(74) *Attorney, Agent, or Firm*—Larson & Taylor, PLC

(76) **Inventor:** **Jui-Yuan Hsiao**, 531, Pei Shin Street,
Chia Yi City (TW)

(57) **CLAIM**

The ornamental design for a gas regulator, as shown.

(**) **Term:** **14 Years**

DESCRIPTION

(21) **Appl. No.:** **29/130,861**

FIG. 1 is a perspective view of the gas regulator showing my new design;

(22) **Filed:** **Oct. 11, 2000**

FIG. 2 is a left side elevational view thereof;

(51) **LOC (7) Cl.** **23-01**

FIG. 3 is a right side elevational view thereof;

(52) **U.S. Cl.** **D23/235**

FIG. 4 is a top plan view thereof;

(58) **Field of Search** D23/200, 233-237;
137/557, 505.36, 505.37

FIG. 5 is a front elevational view thereof;

FIG. 6 is a rear elevational view thereof;

FIG. 7 is a bottom plan view thereof;

(56) **References Cited**

FIG. 8 is a perspective view similar to FIG. 1 but showing an alternative embodiment thereof;

U.S. PATENT DOCUMENTS

FIG. 9 is a left side elevational view thereof;

| | | | |
|------------|-----------|---------|---------|
| D362,488 S | 9/1995 | Lee | |
| D362,712 S | * 9/1995 | Lee | D23/235 |
| D379,845 S | * 6/1997 | Lee | D23/235 |
| D403,050 S | * 12/1998 | Schlick | D23/235 |

FIG. 10 is a right side elevational view thereof;

FIG. 11 is a top plan view thereof;

FIG. 12 is a front elevational view thereof;

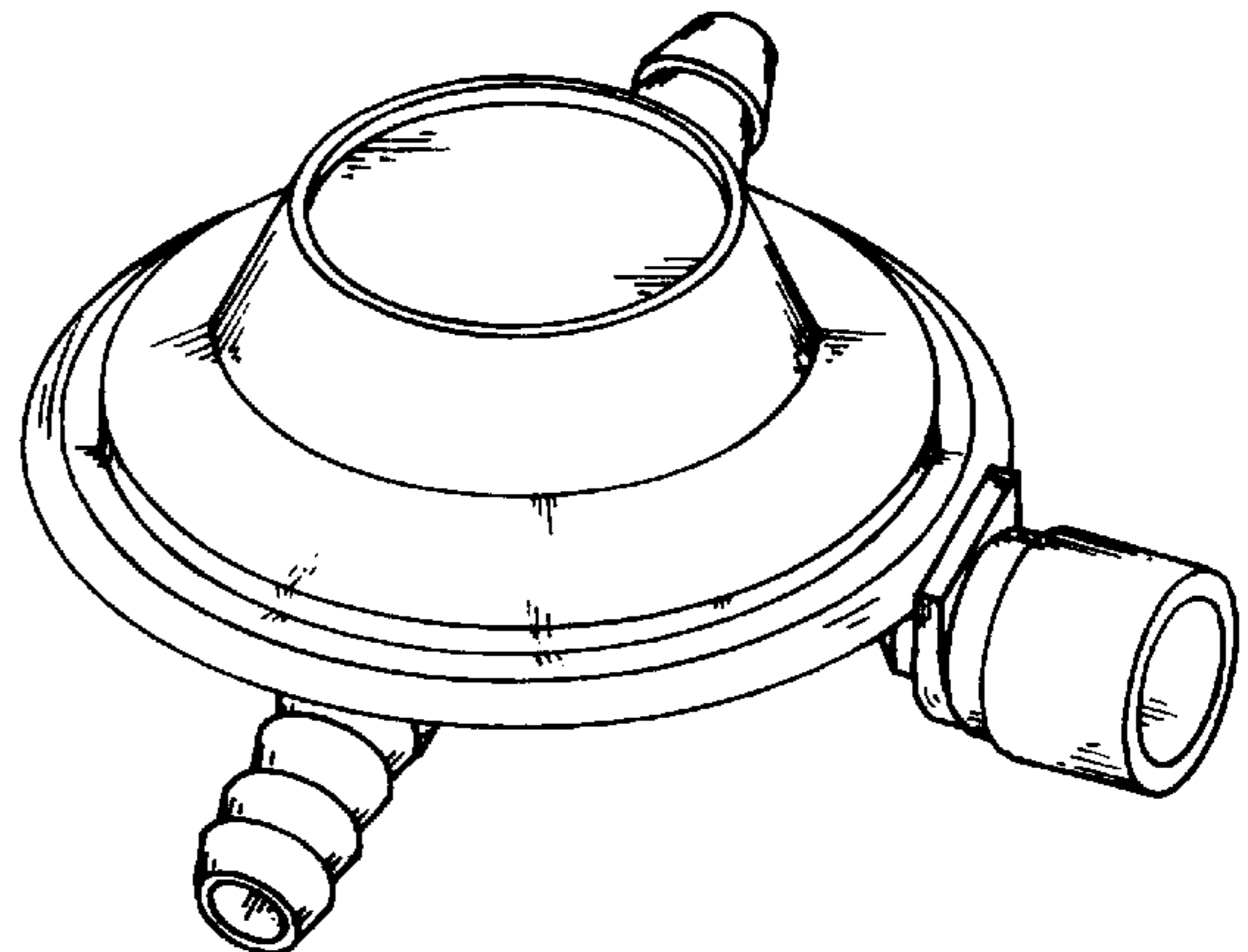
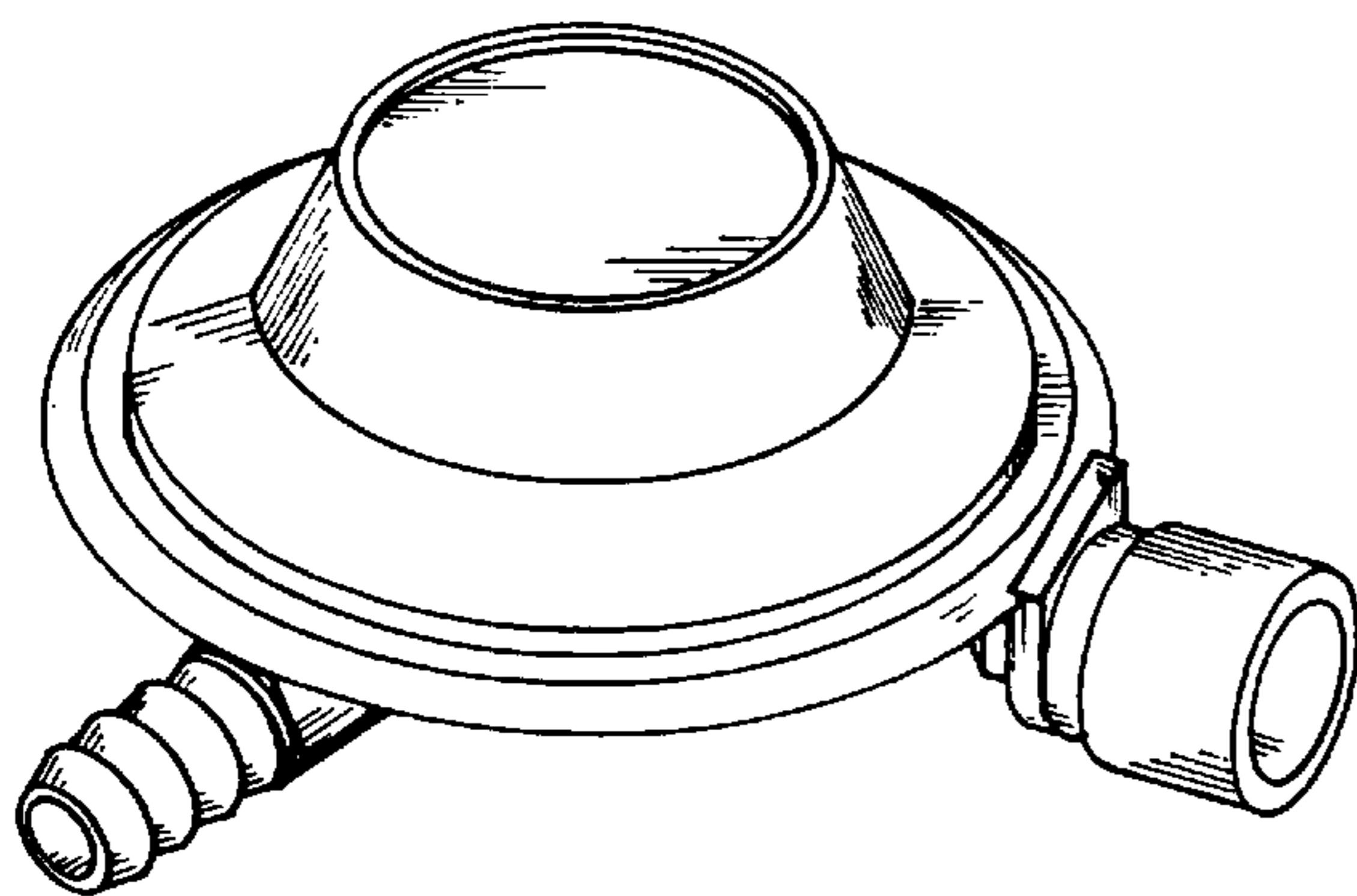
FIG. 13 is a rear elevational view thereof; and,

FIG. 14 is a bottom plan view thereof.

* cited by examiner

Primary Examiner—Robin V. Taylor

1 Claim, 8 Drawing Sheets



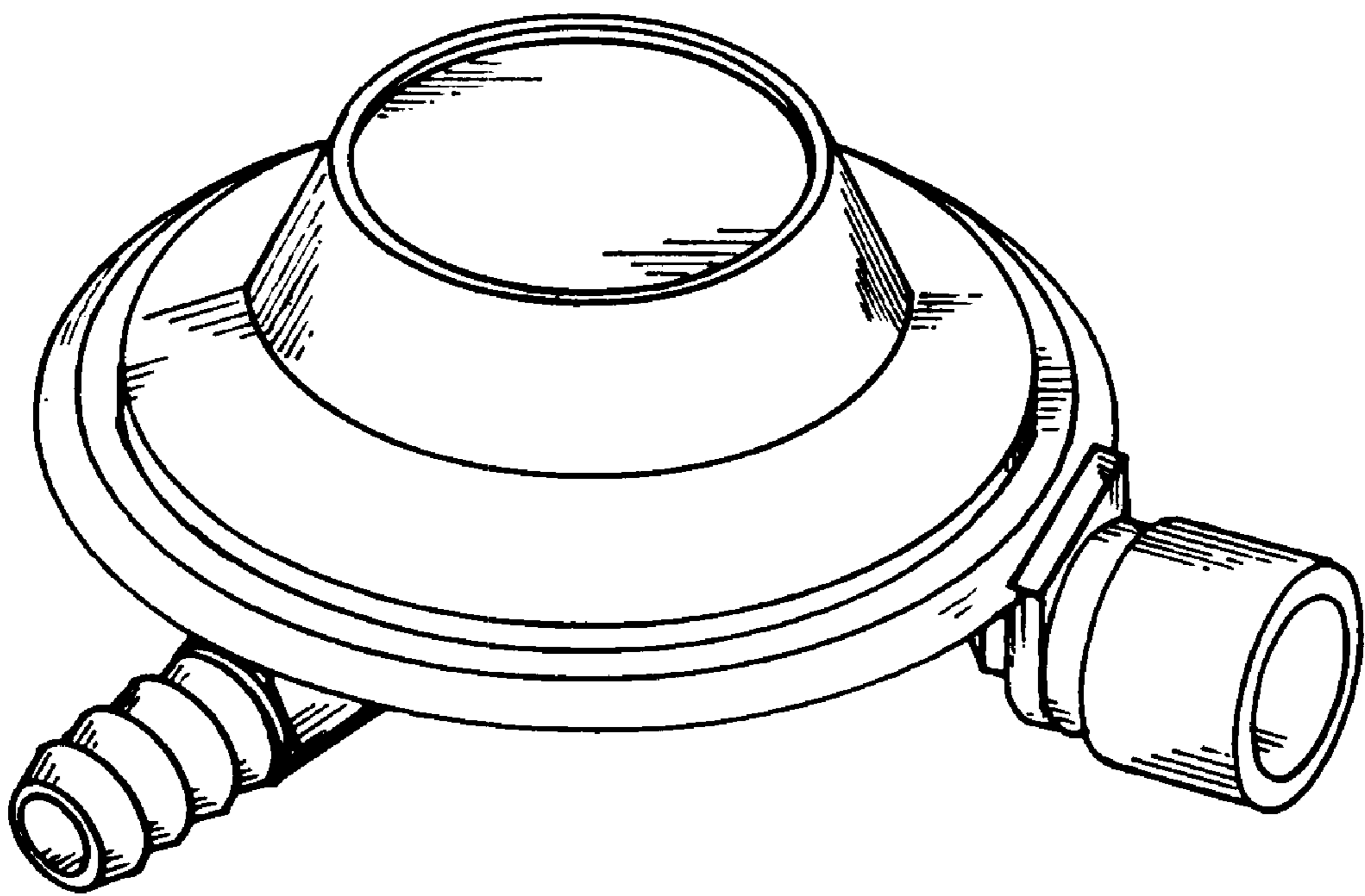


FIG. 1

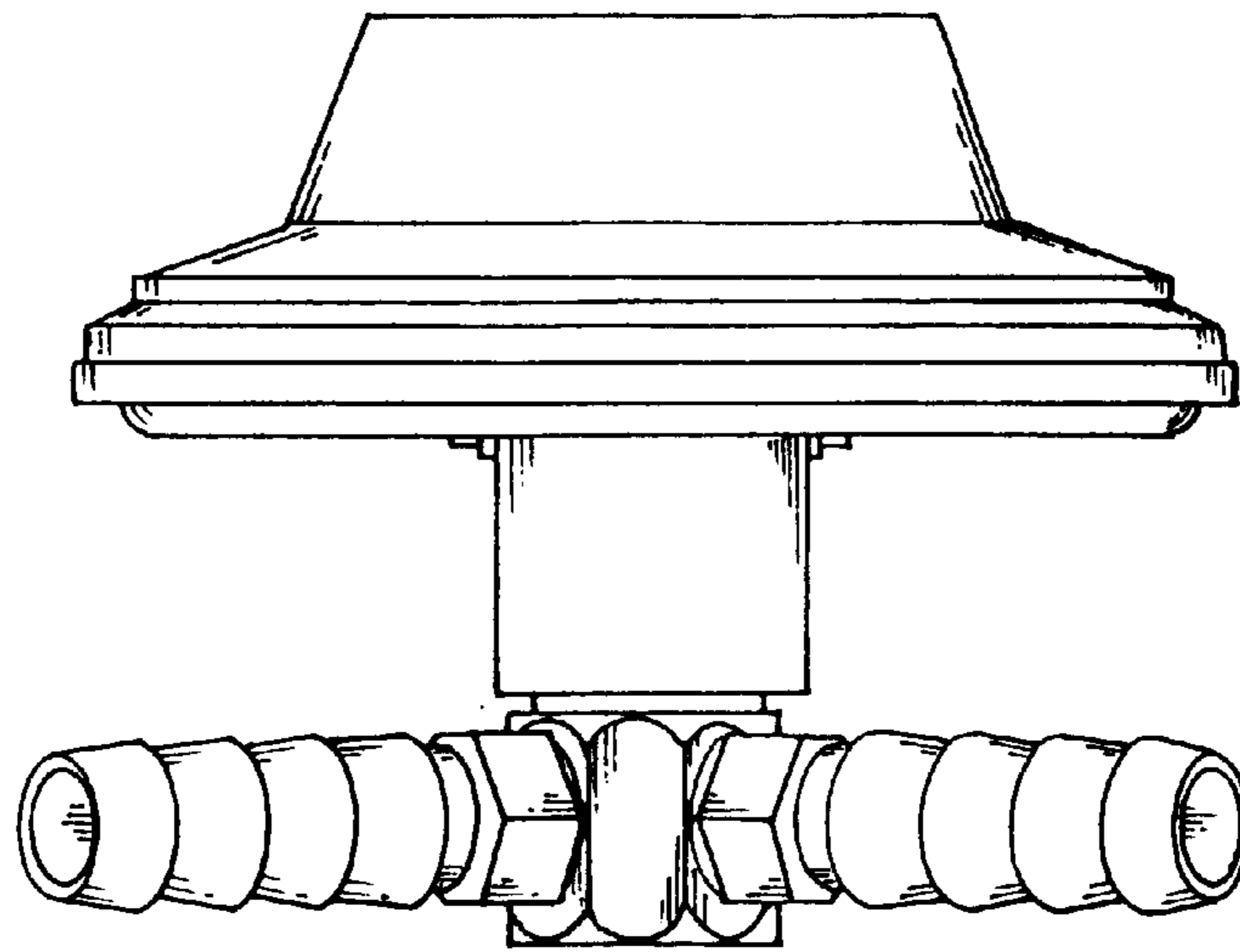


FIG. 2

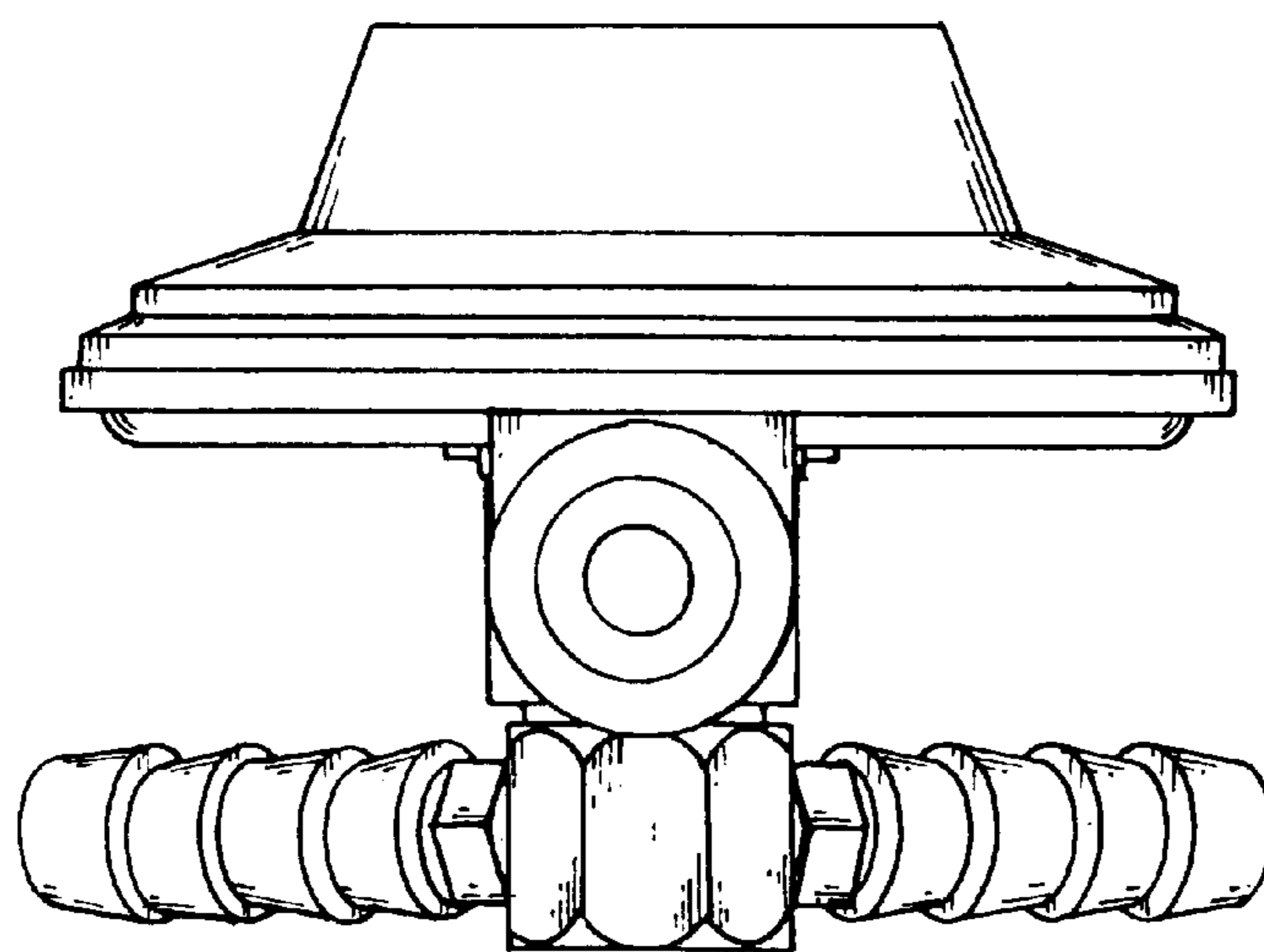


FIG. 3

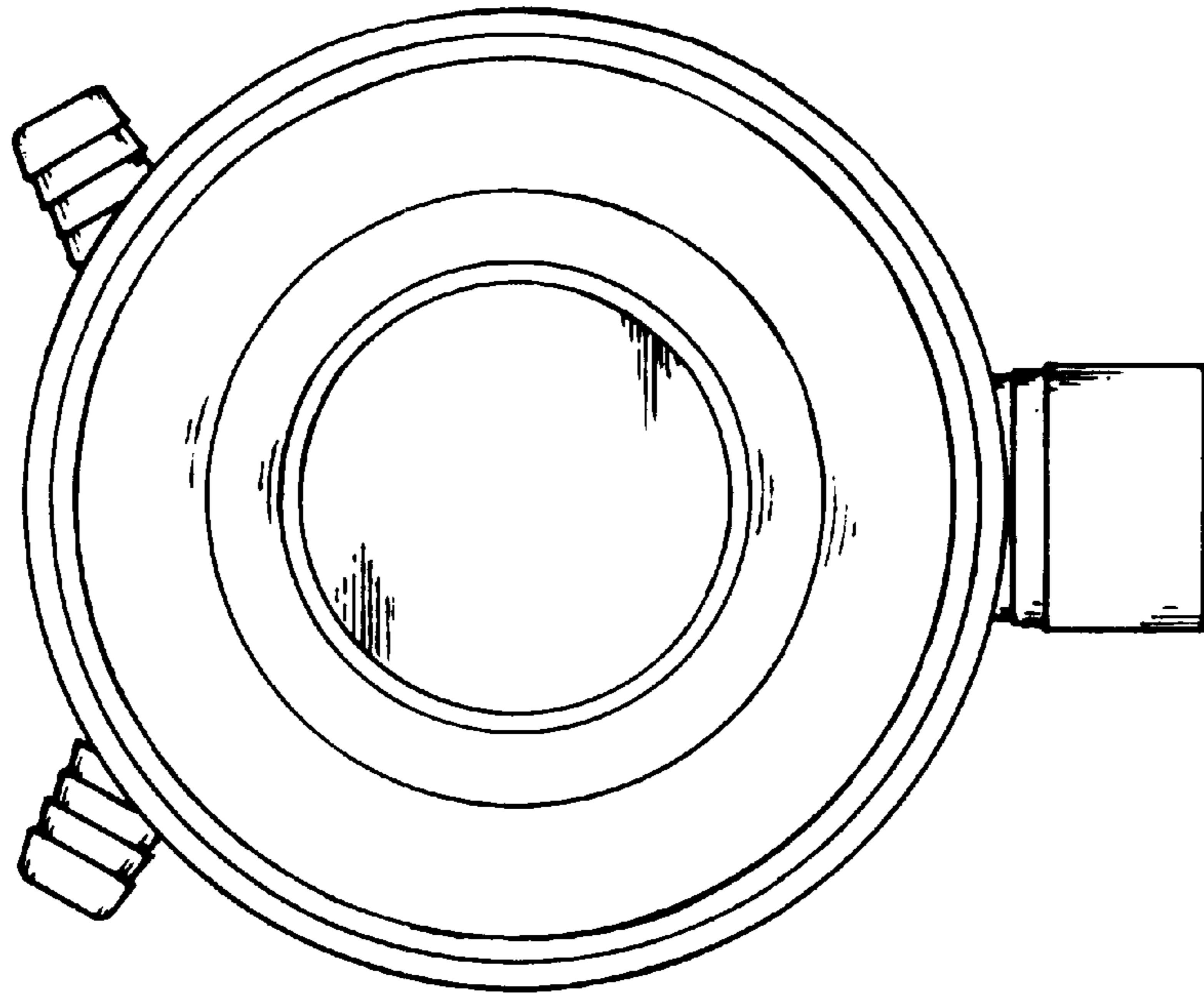


FIG. 4

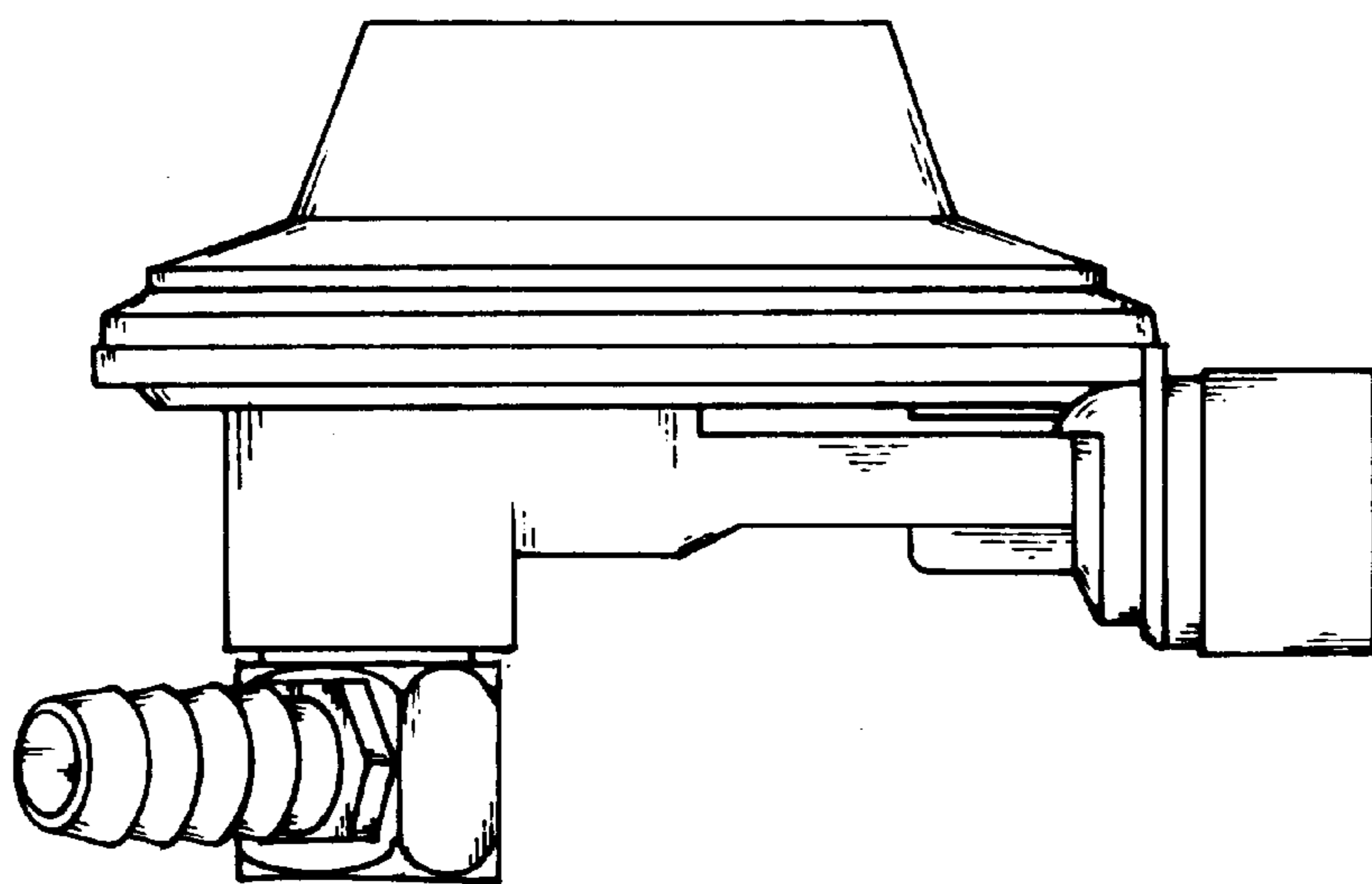


FIG. 5

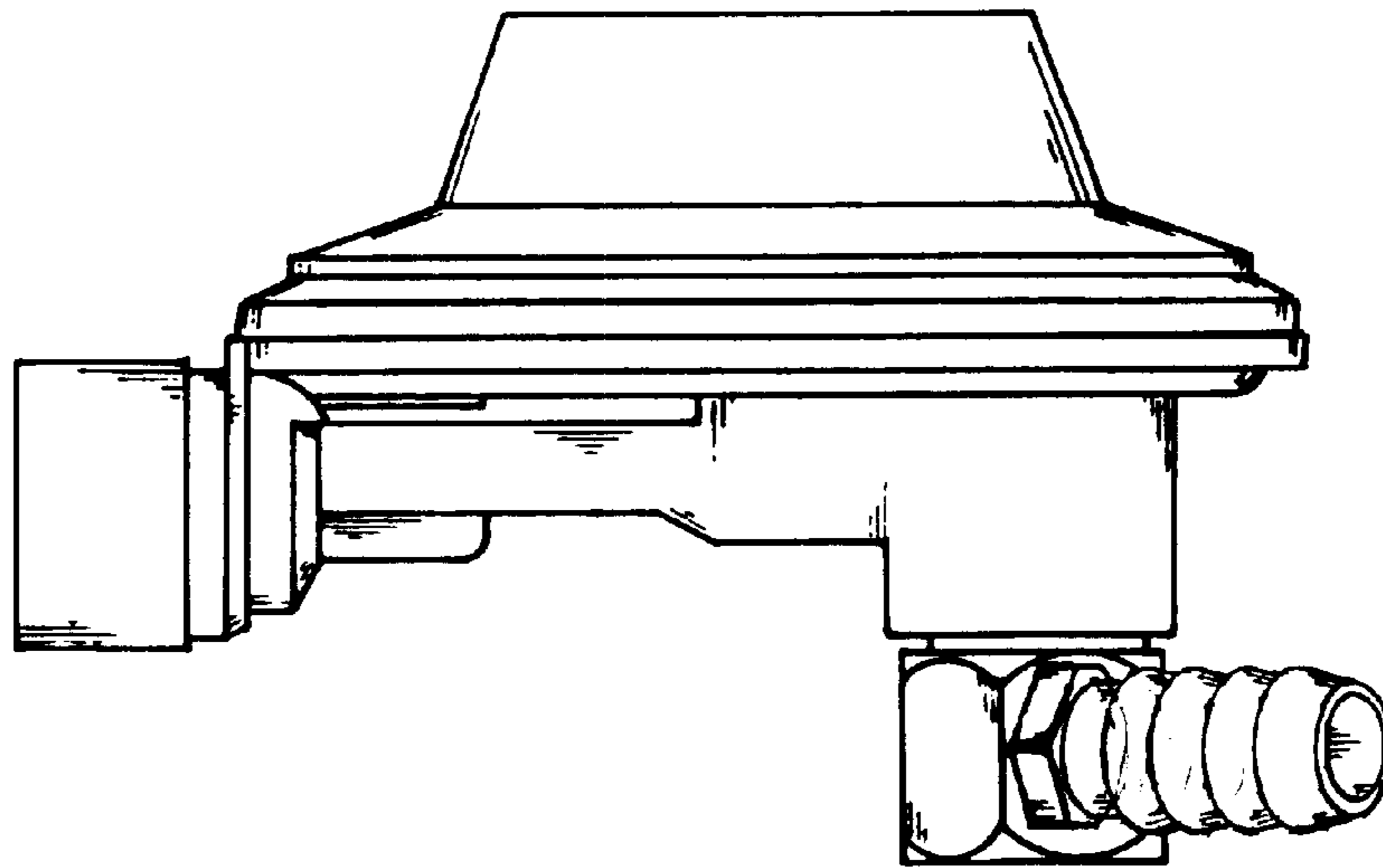


FIG. 6

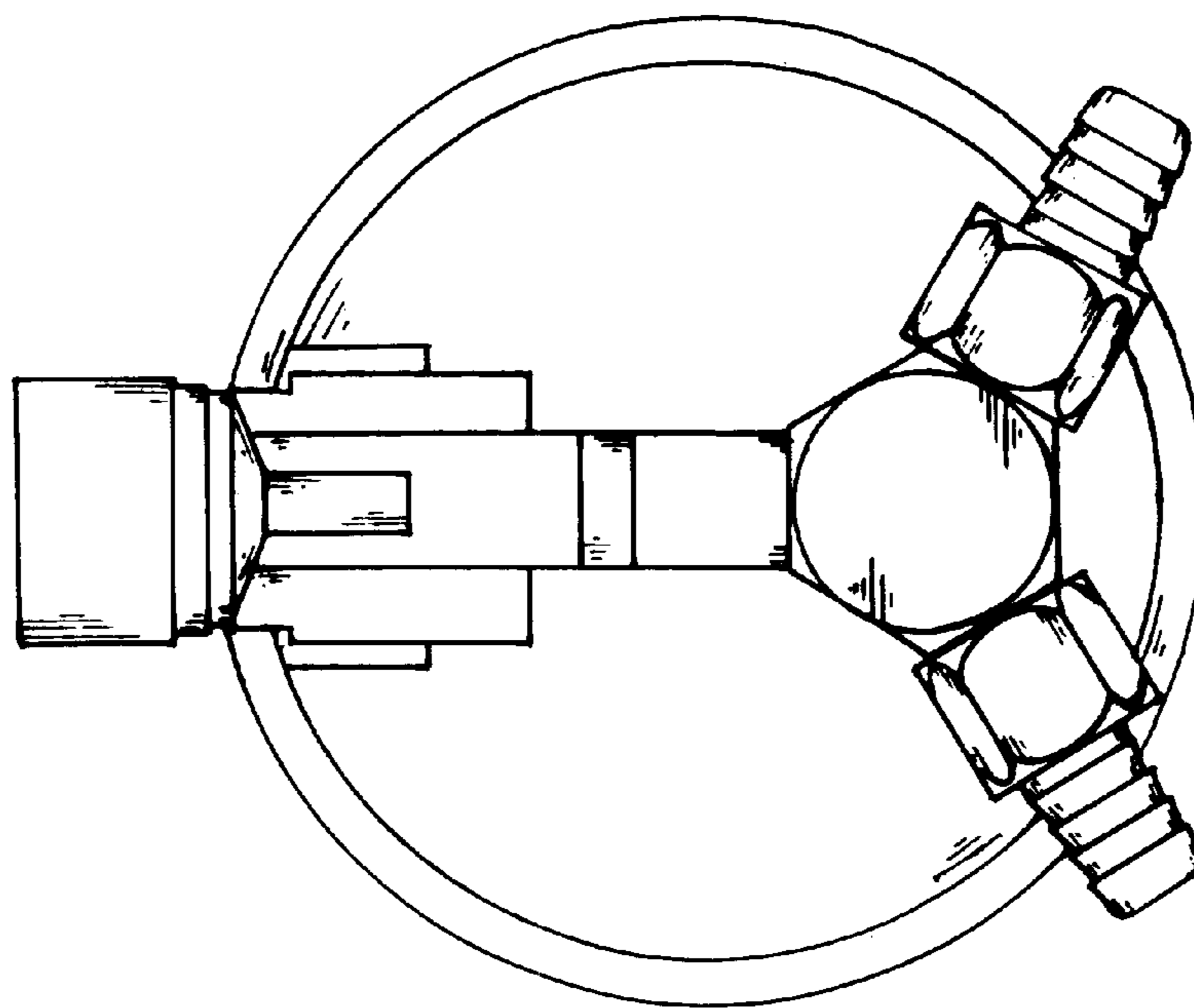


FIG. 7

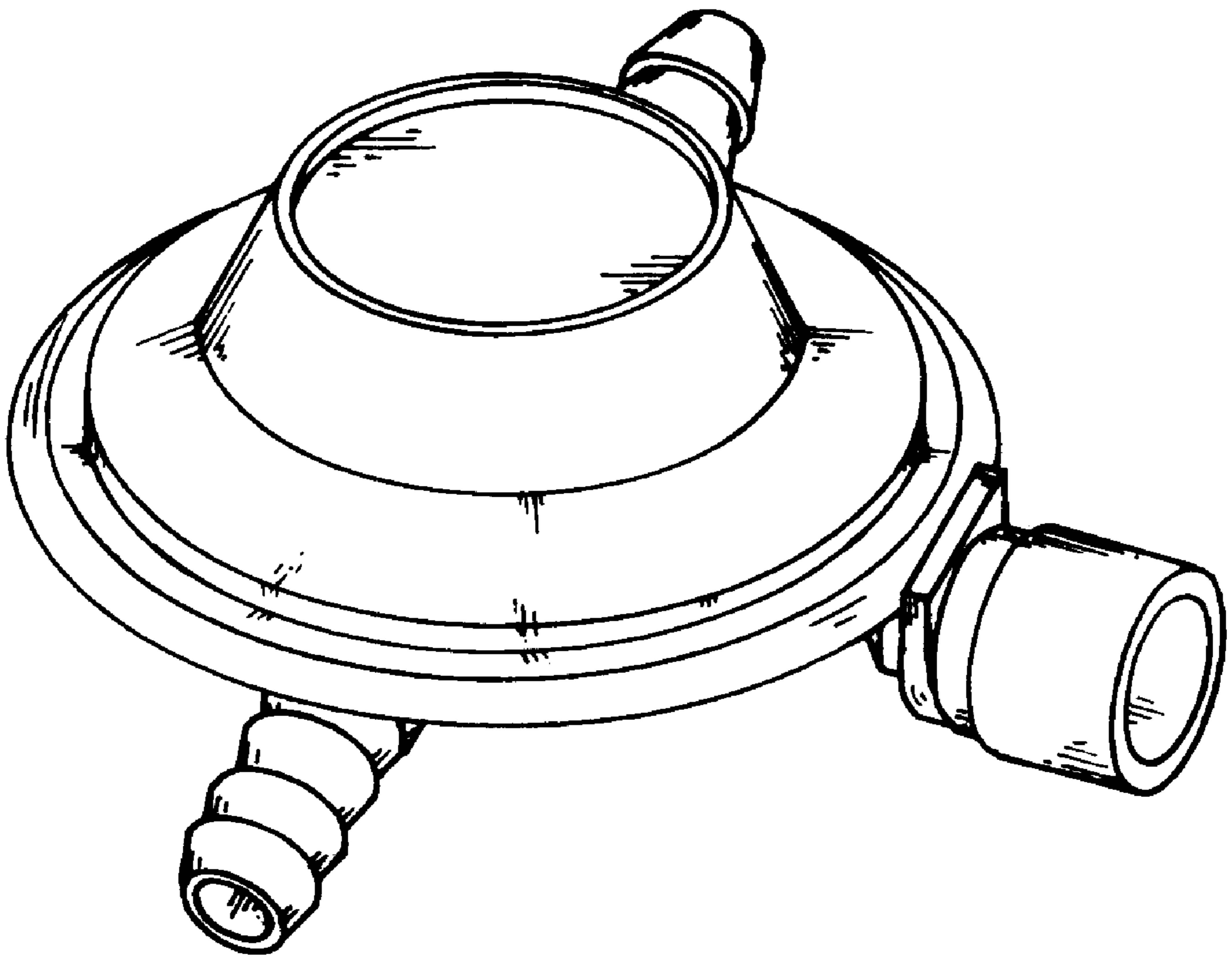


FIG.8

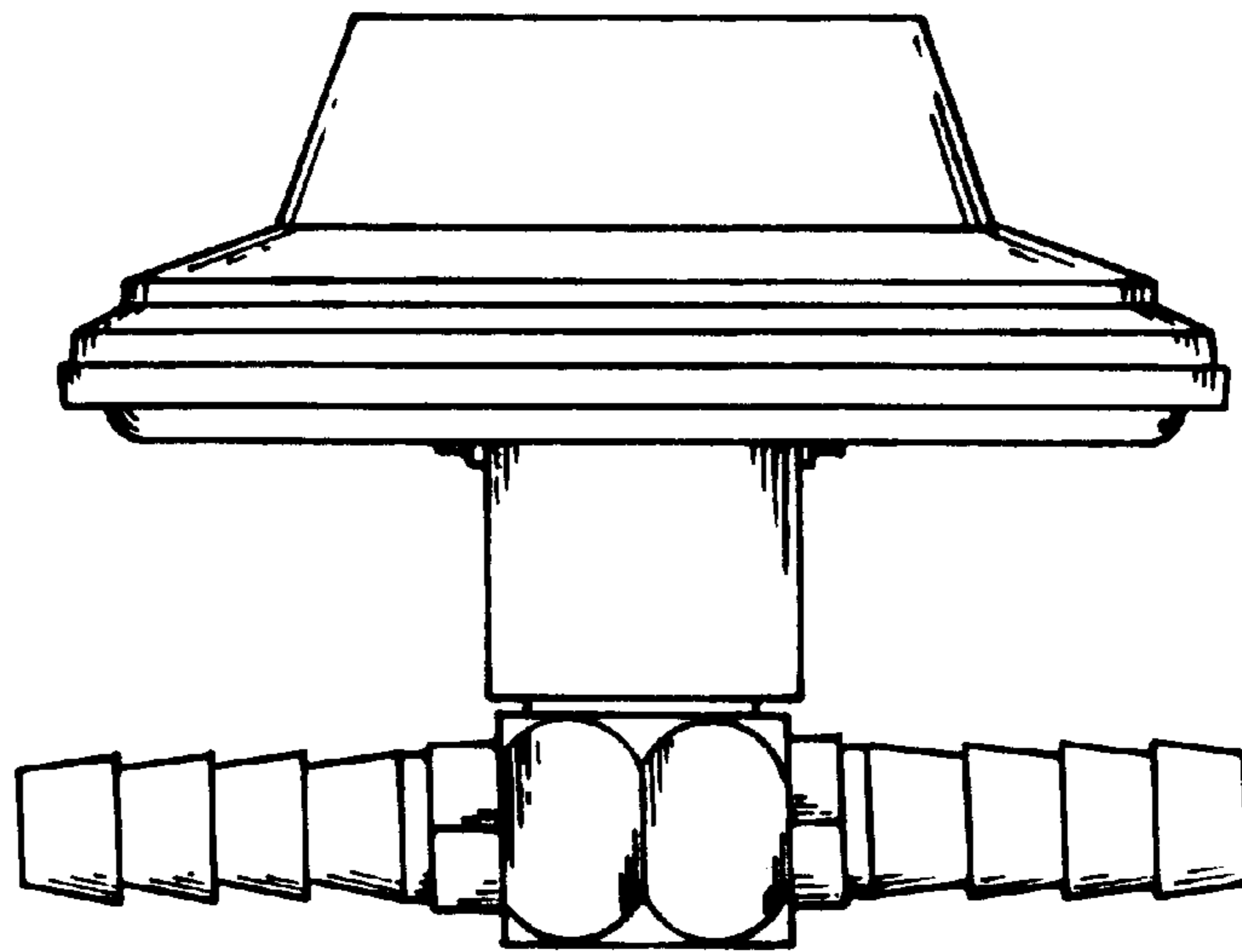


FIG. 9

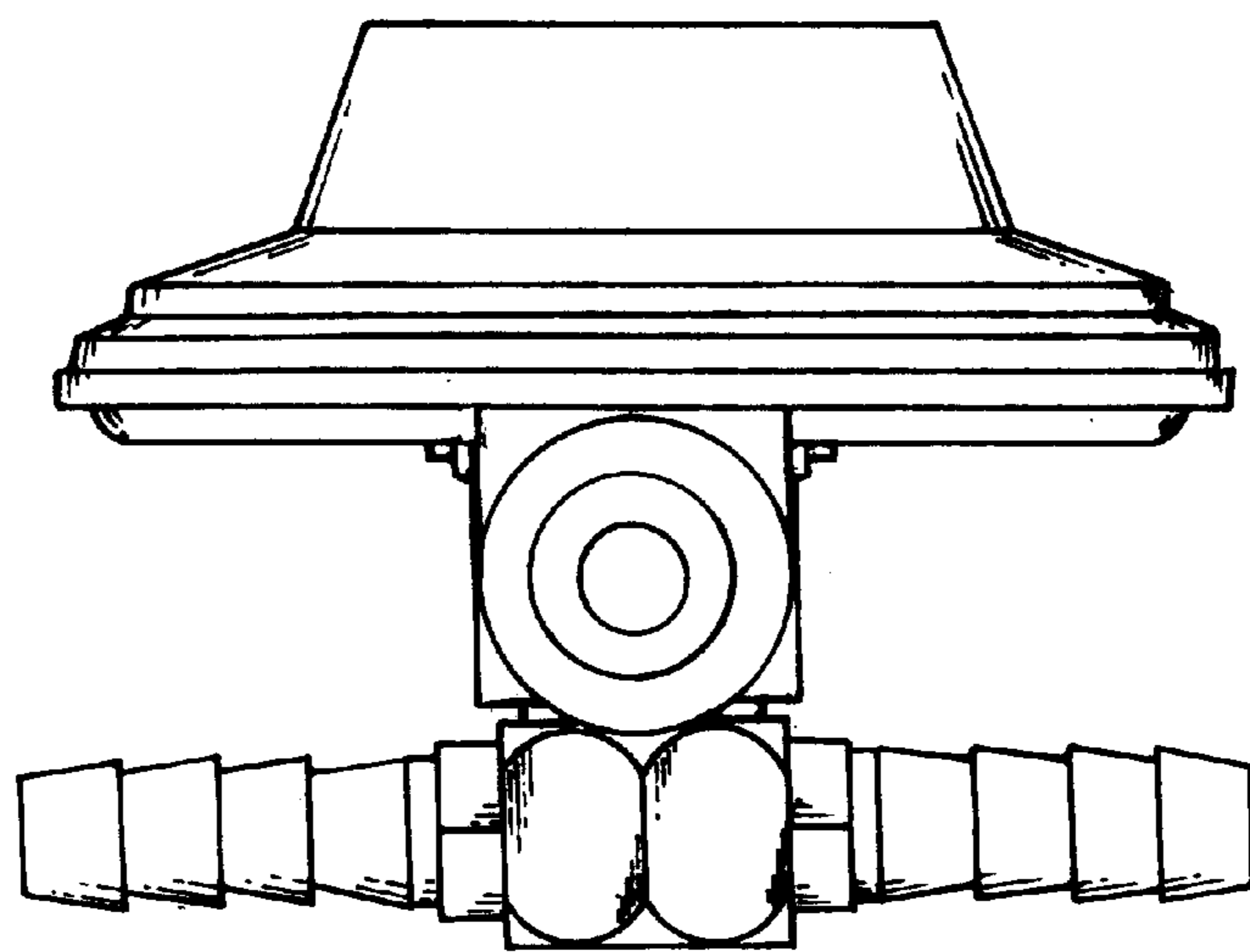


FIG 10

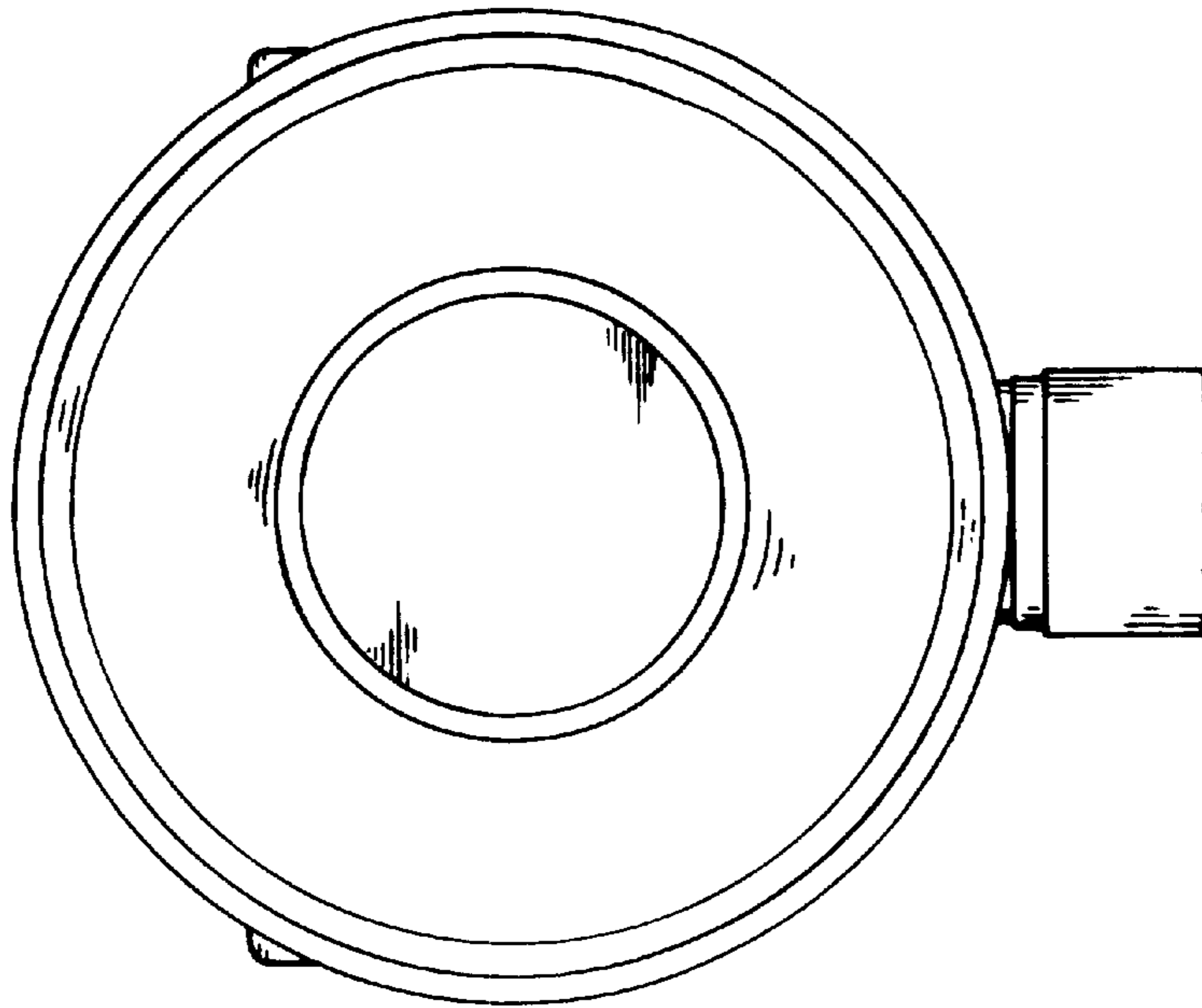


FIG. 11

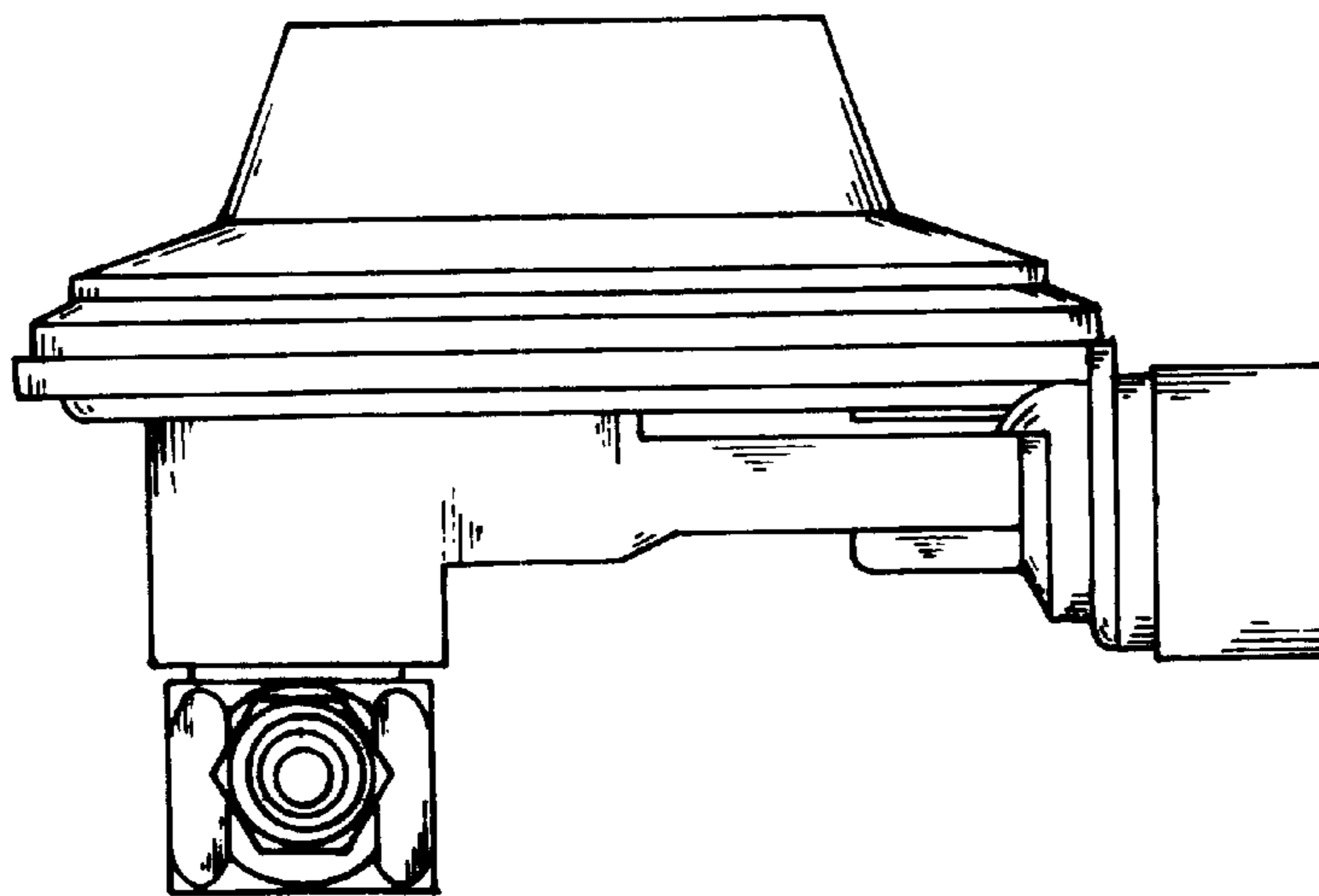


FIG. 12

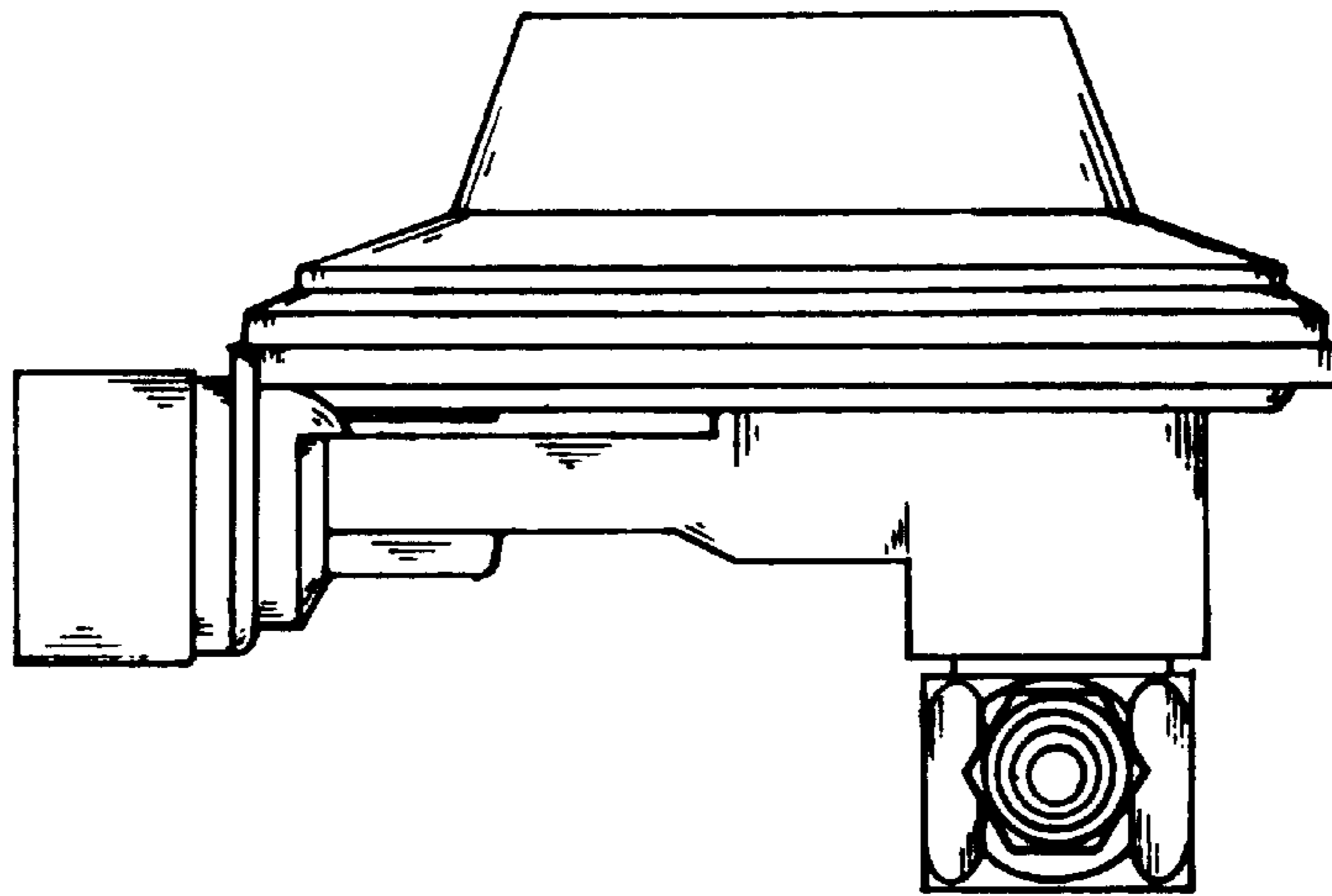


FIG. 13

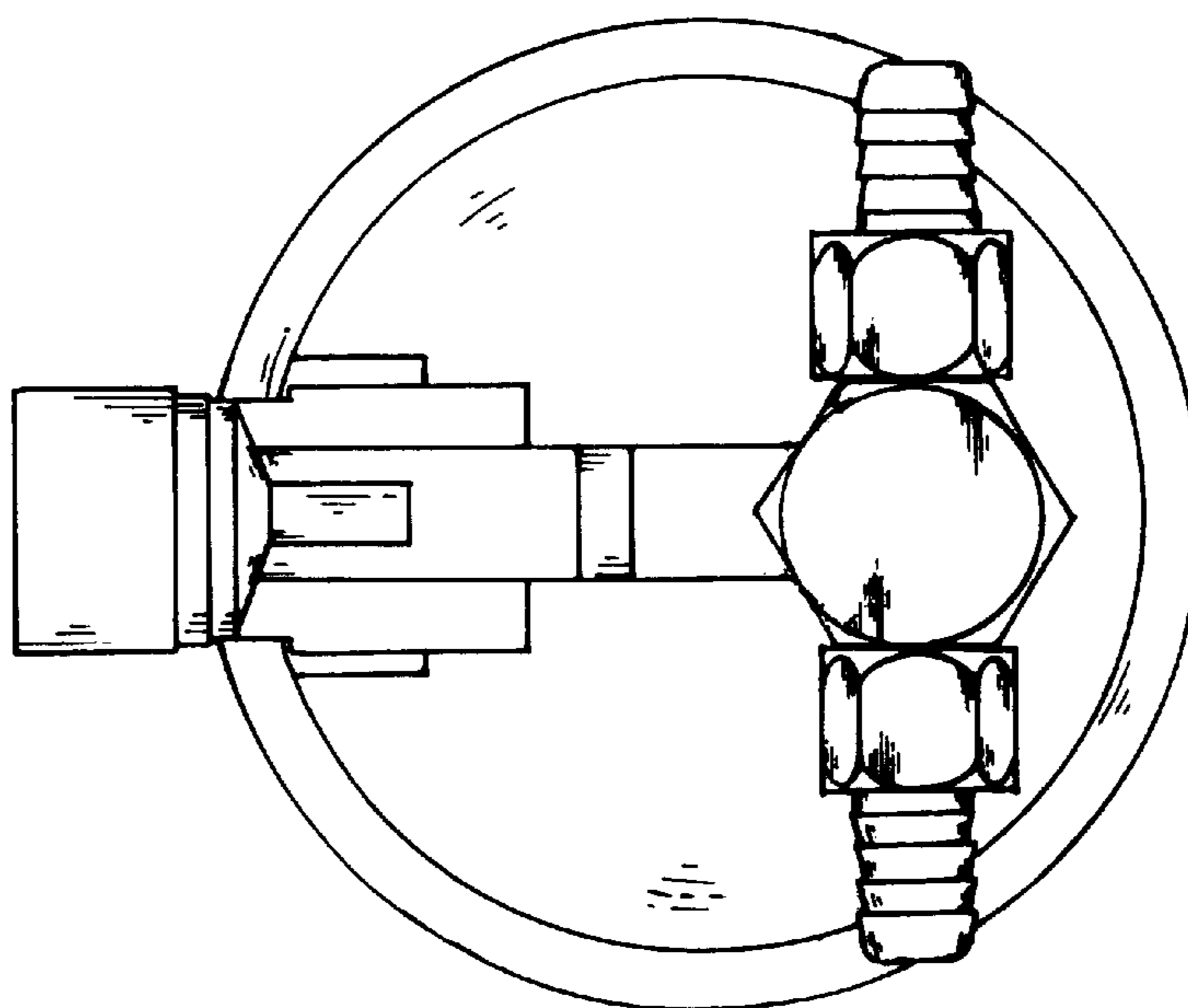


FIG 14