



US00D453199S

(12) **United States Design Patent**
Sawai et al.

(10) **Patent No.:** **US D453,199 S**
(45) **Date of Patent:** **** Jan. 29, 2002**

(54) **ROBOT TOY**

OTHER PUBLICATIONS

(75) Inventors: **Kunihito Sawai; Tatsuzo Ishida;**
Yoshihiro Kuroki; Yuichi Hattori;
Naoto Mori, all of Tokyo (JP)

Official Guide Book "A • SO • BOT", 25 sheets including pp. 1–20, Kodan-sha (Nov. 2000).

* cited by examiner

(73) Assignee: **Sony Corporation**, Tokyo (JP)

Primary Examiner—Lucy Lieberman

(**) Term: **14 Years**

(74) *Attorney, Agent, or Firm*—Rader, Fishman & Grauer, PLLC

(21) Appl. No.: **29/145,083**

(57) **CLAIM**

(22) Filed: **Jul. 17, 2001**

The ornamental design for a robot toy, as shown and described.

(51) **LOC (7) Cl.** **21-01**

(52) **U.S. Cl.** **D21/578**

(58) **Field of Search** D21/578–583,
D21/594, 621, 622, 637; D15/199; 446/268,
376–384, 270, 271, 272, 294, 297–303,
353, 354, 355, 289–292, 279, 280

DESCRIPTION

(56) **References Cited**

U.S. PATENT DOCUMENTS

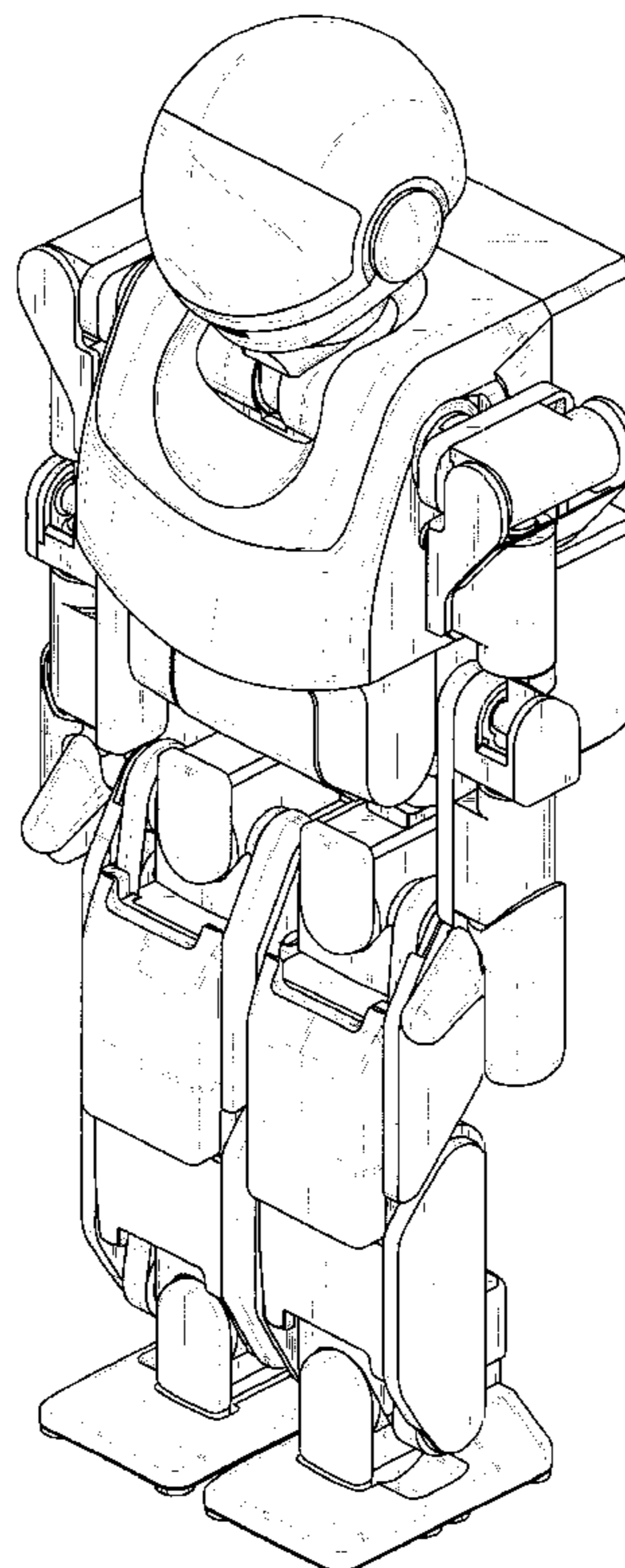
| | | | | | | |
|-----------|---|---|--------|------------------|-------|---------|
| 4,095,367 | A | * | 6/1978 | Ogawa | | 446/290 |
| D288,581 | S | * | 3/1987 | Man | | D21/578 |
| D288,831 | S | * | 3/1987 | Man | | D21/578 |
| 4,740,187 | A | * | 4/1988 | Rasmussen et al. | | 446/268 |
| D371,174 | S | * | 6/1996 | Tsai | | D21/578 |
| 5,872,438 | A | * | 2/1999 | Roston | | |
| D410,476 | S | * | 6/1999 | Gomi et al. | | D15/199 |

FIG. 1 is a front perspective view of a robot toy showing our new design;
FIG. 2 is a rear perspective view thereof;
FIG. 3 is a front elevational view thereof;
FIG. 4 is a rear elevational view thereof;
FIG. 5 is a right side elevational view thereof, a left side elevational view thereof being a mirror image;
FIG. 6 is a top plan view thereof;
FIG. 7 is a bottom plan view thereof;
FIG. 8 is a front view of another embodiment of a robot toy showing our new design; and,
FIG. 9 is a right side elevational view thereof, a left side elevational view thereof being a mirror image.
The portions of the second embodiment that are not disclosed in the drawings are identical to the first embodiment.

FOREIGN PATENT DOCUMENTS

| | | |
|----|---------|---------|
| JP | 1019892 | 8/1998 |
| JP | 1052121 | 10/1999 |

1 Claim, 8 Drawing Sheets



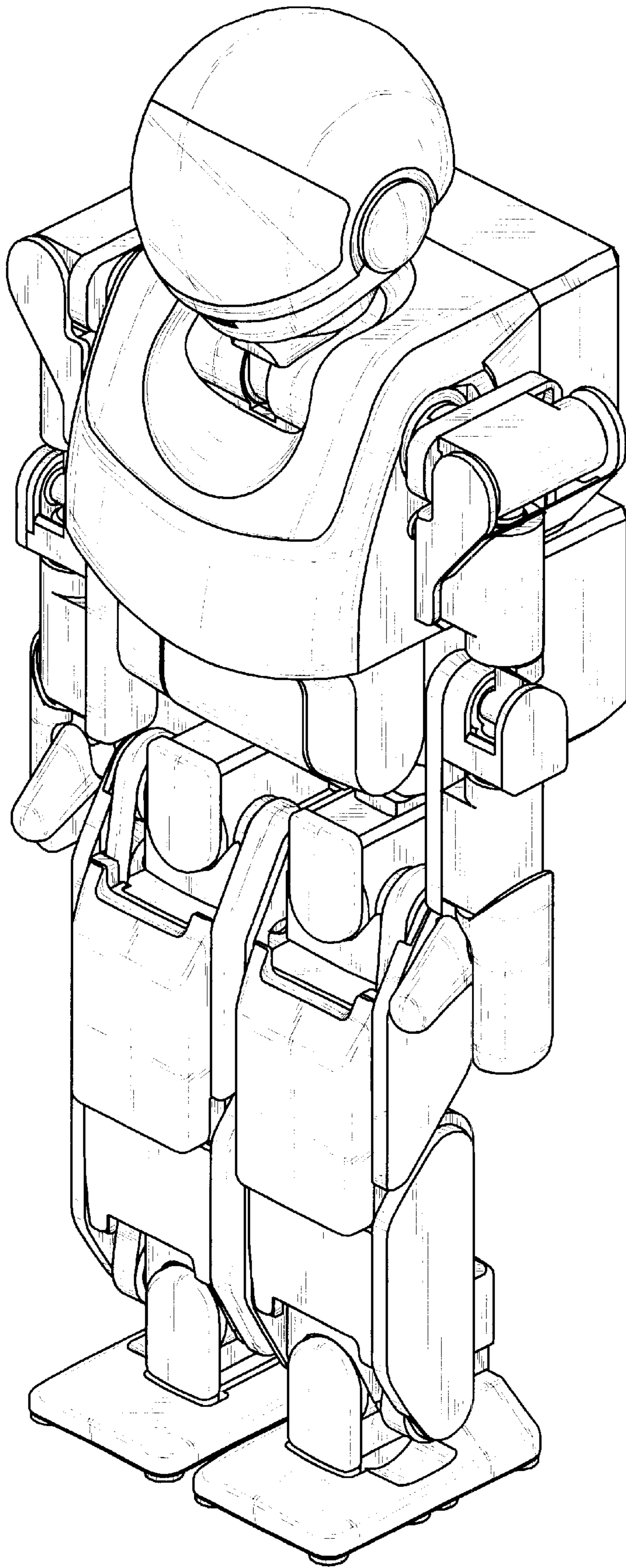


Fig. 1

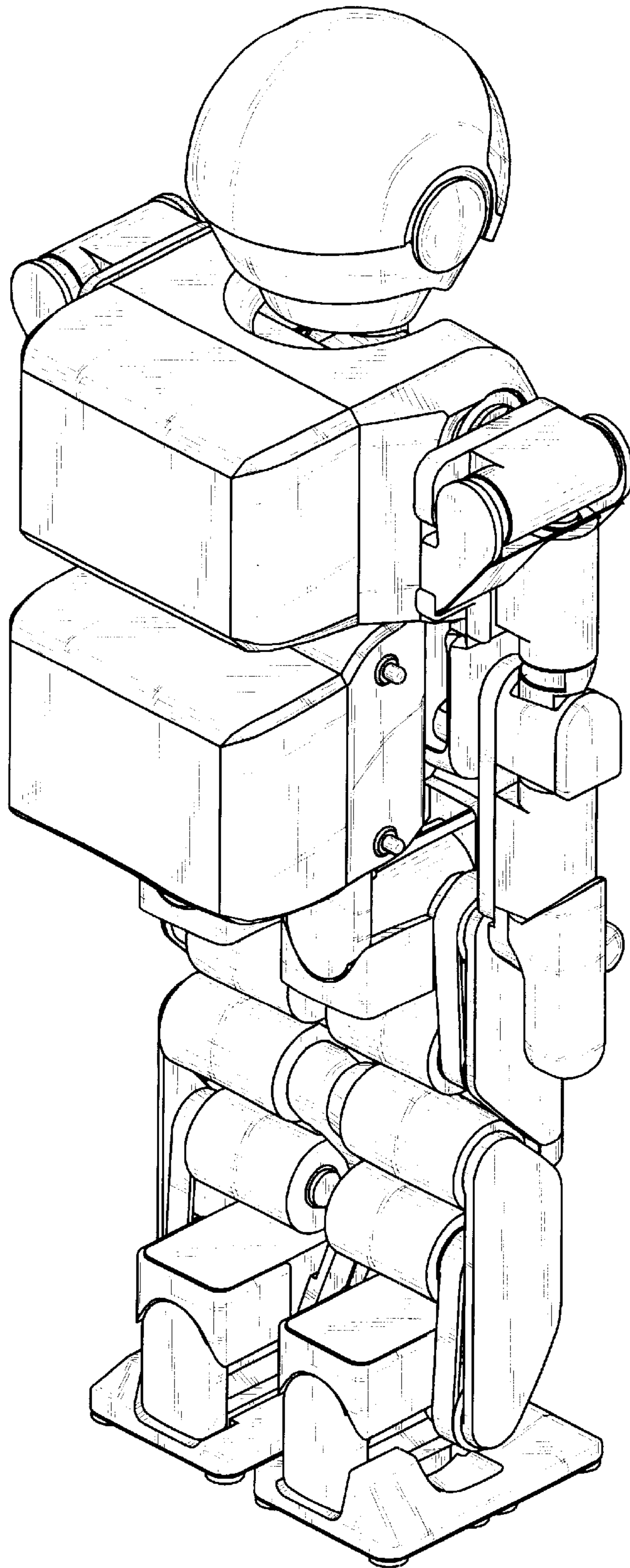


Fig. 2

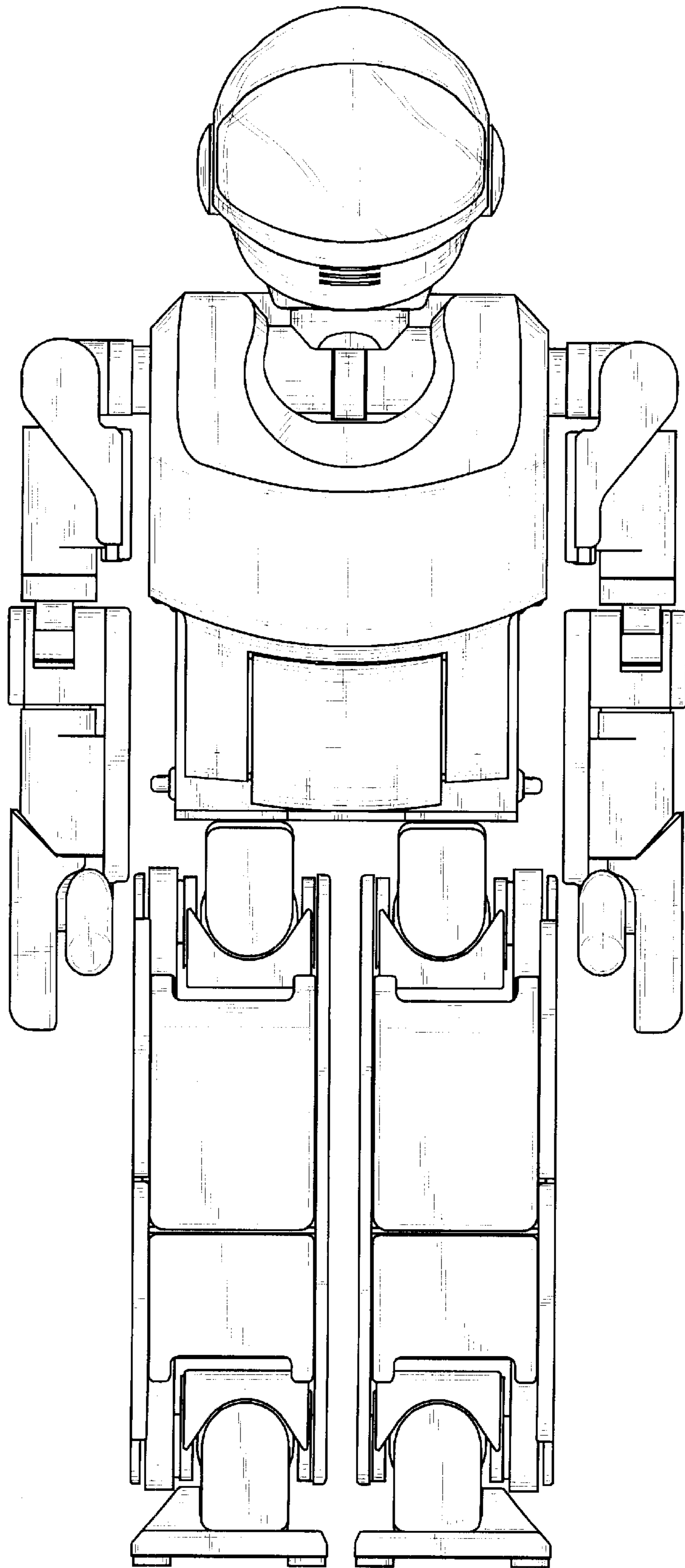


Fig. 3

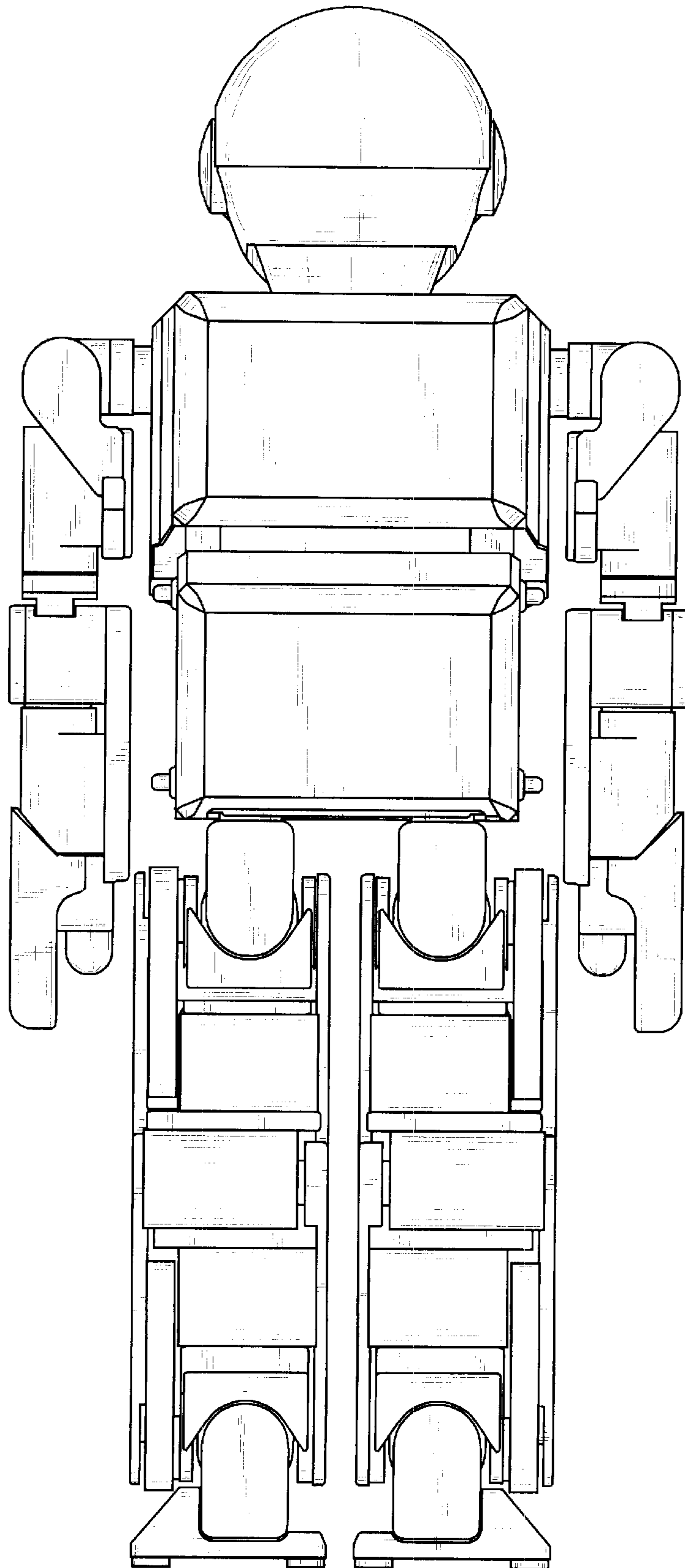


Fig. 4

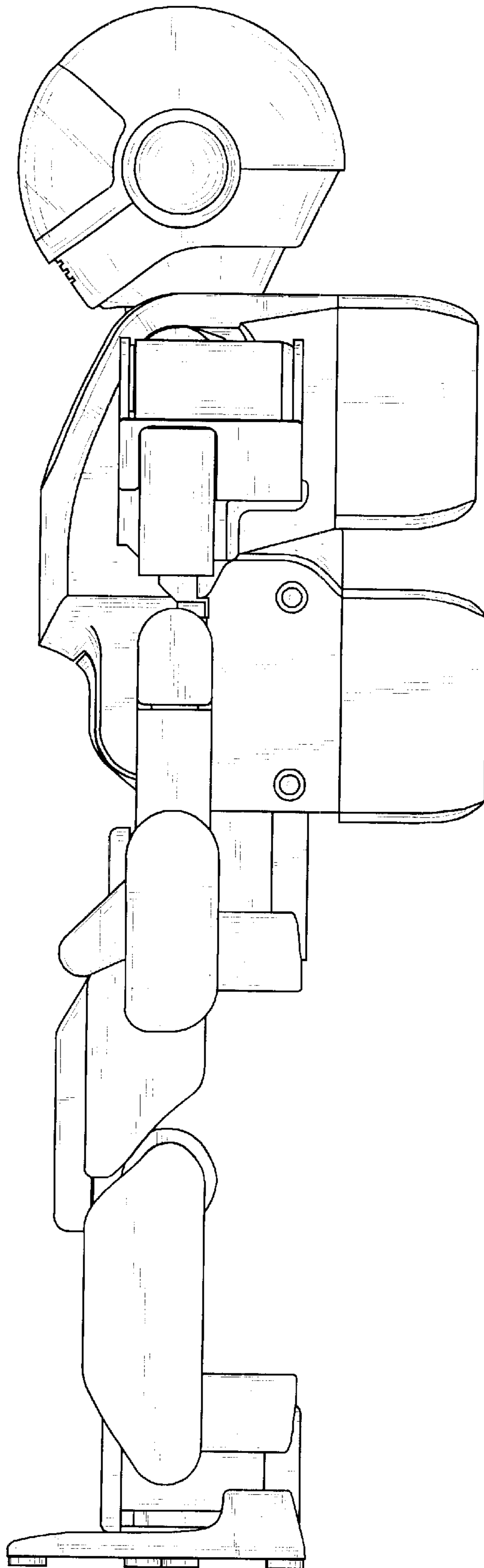


Fig. 5

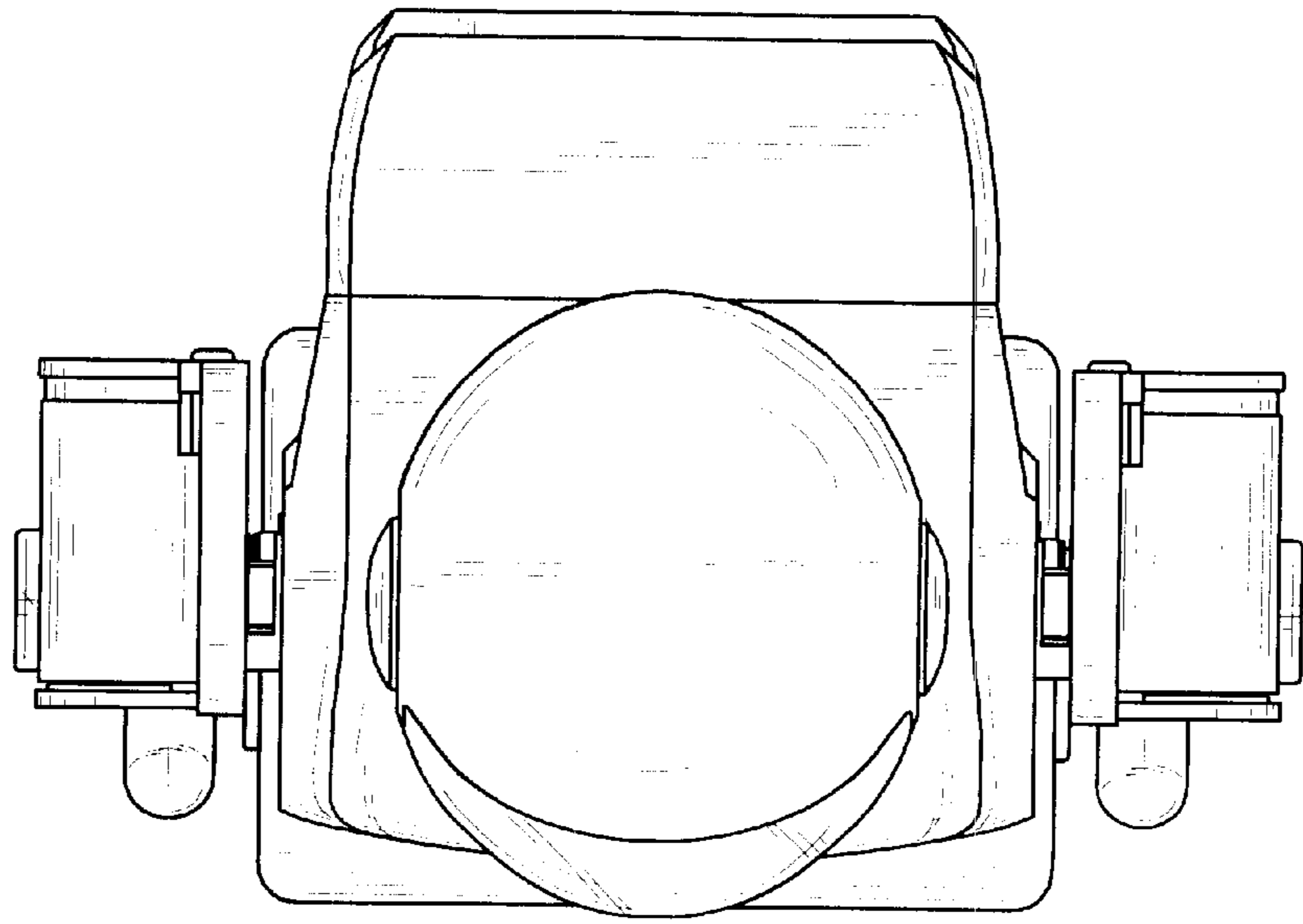


Fig. 6

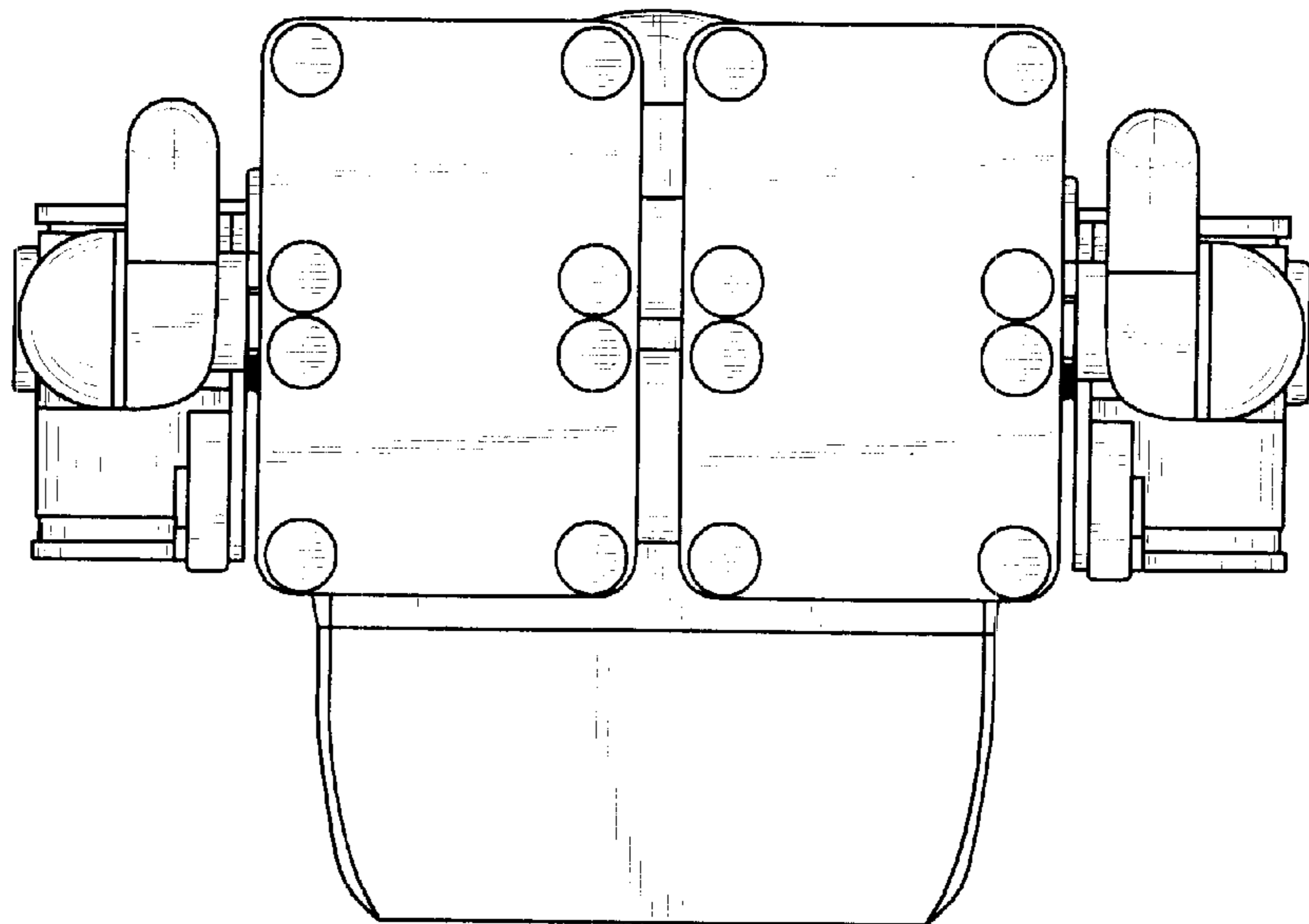


Fig. 7

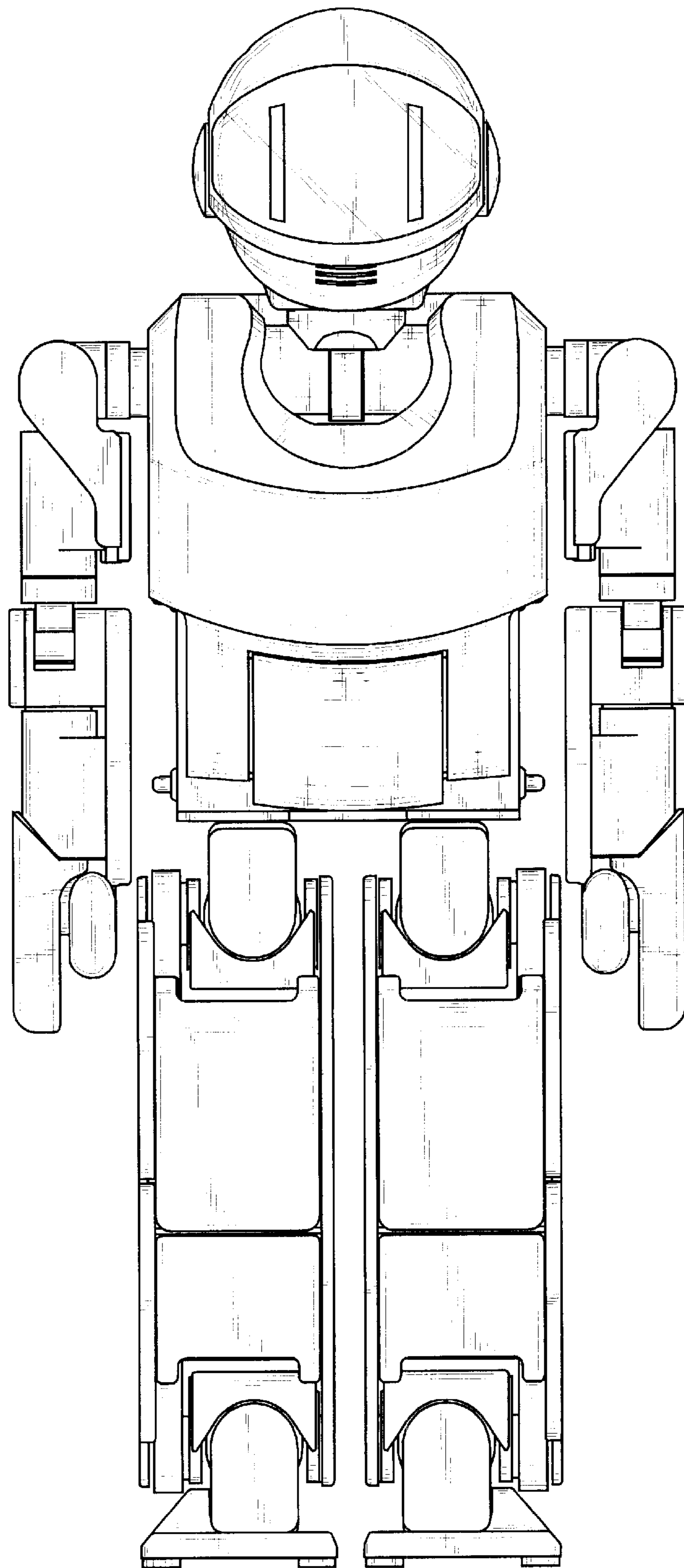


Fig. 8

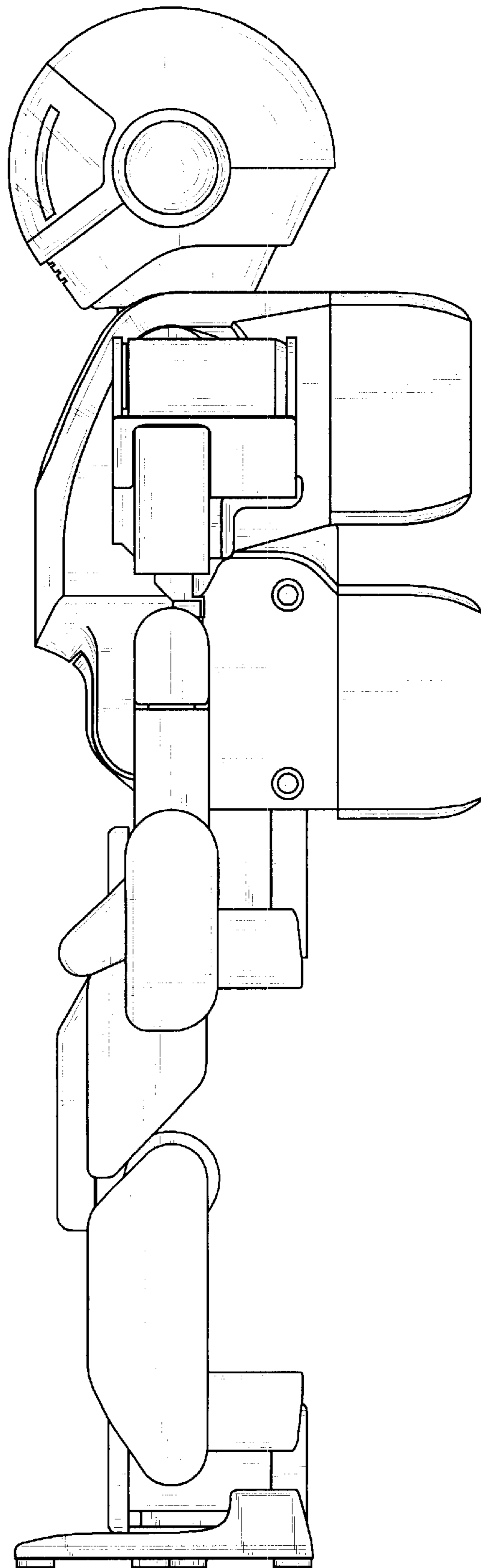


Fig. 9