



US00D453198S

(12) **United States Design Patent**
Dudley

(10) **Patent No.:** **US D453,198 S**
(45) **Date of Patent:** **** Jan. 29, 2002**

(54) **NON-MOTORIZED SCOOTER**

(75) Inventor: **James Dudley**, Sacramento, CA (US)

(73) Assignee: **Kash 'N Gold, Ltd.**, Ronkonkoma, NY (US)

(**) Term: **14 Years**

(21) Appl. No.: **29/135,769**

(22) Filed: **Jan. 18, 2001**

(51) **LOC (7) Cl.** **21-01**

(52) **U.S. Cl.** **D21/423**

(58) **Field of Search** D21/419, 421, D21/423, 424, 426, 435, 533, 760, 765, 771; D12/107, 110-112; 280/87.01, 87.021, 87.041, 87.042, 87.05; 180/181, 216

(56) **References Cited**

U.S. PATENT DOCUMENTS

- 3,992,029 A * 11/1976 Washizawa 280/87.041
- 5,927,733 A * 7/1999 Banda 280/87.041
- 6,120,044 A * 9/2000 Tsai 280/87.041
- D435,873 S * 1/2001 Lee D21/423

- D435,874 S * 1/2001 Cheng D21/423
- D438,911 S * 3/2001 Chen D21/423
- 6,206,387 B1 * 3/2001 Tsai 280/87.041
- 6,217,058 B1 * 4/2001 Wang et al. 280/87.041

* cited by examiner

Primary Examiner—Raphael Barkai

(74) *Attorney, Agent, or Firm*—Cooper & Dunham LLP

(57) **CLAIM**

I claim the ornamental design of a non-motorized scooter, as shown and described.

DESCRIPTION

FIG. 1 is a top plan view of a non-motorized scooter showing my new design;
 FIG. 2 is a front elevational view thereof;
 FIG. 3 is a front perspective view thereof;
 FIG. 4 is a right side elevational view thereof, the side opposite being a mirror image;
 FIG. 5 is a front perspective view thereof in an alternate position; and,
 FIG. 6 is a perspective view thereof in the folded position.

1 Claim, 3 Drawing Sheets

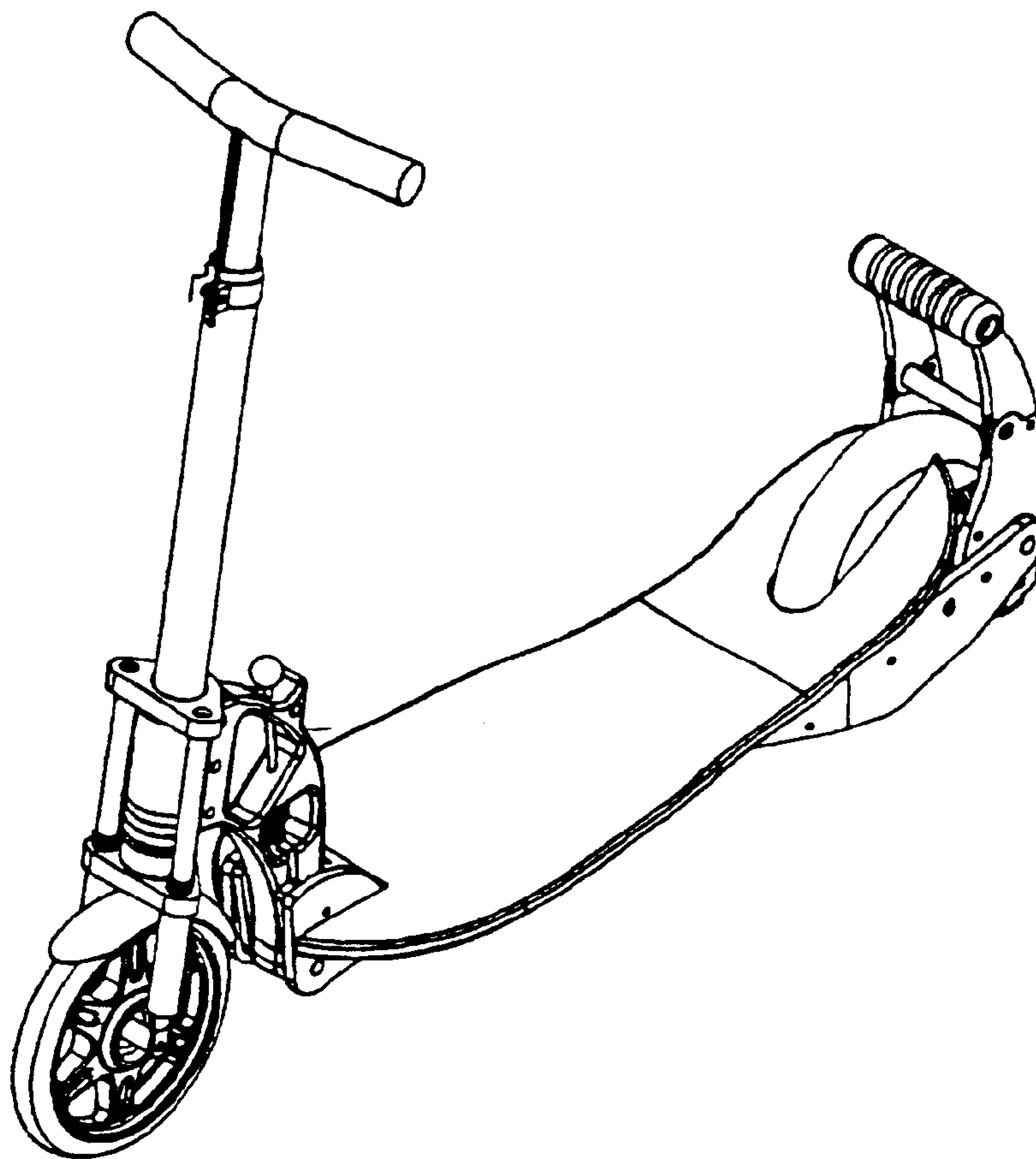


FIGURE 1

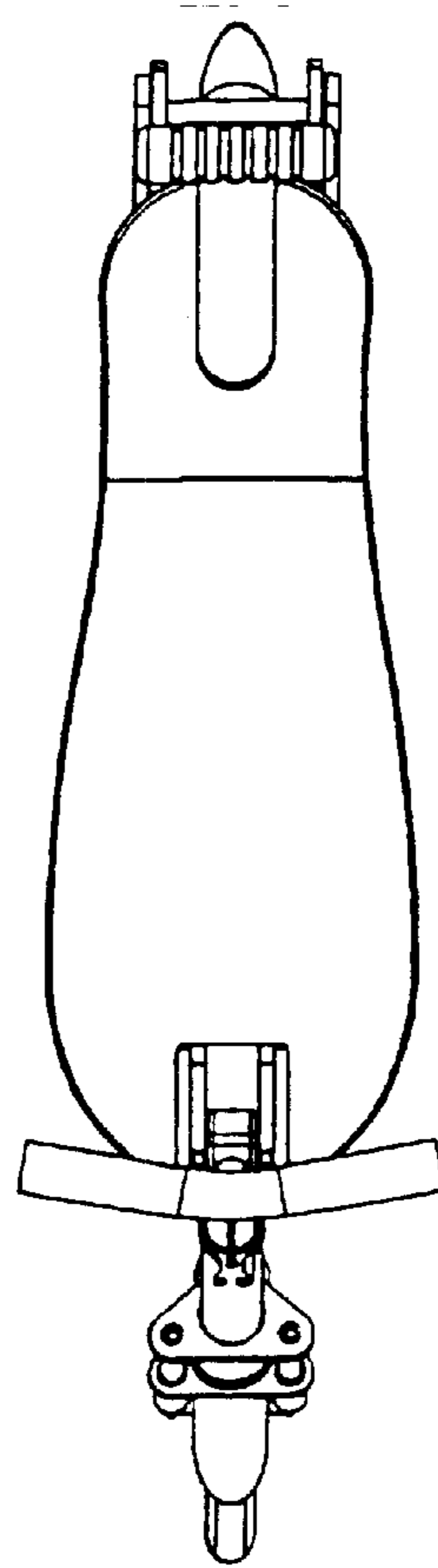


FIGURE 2

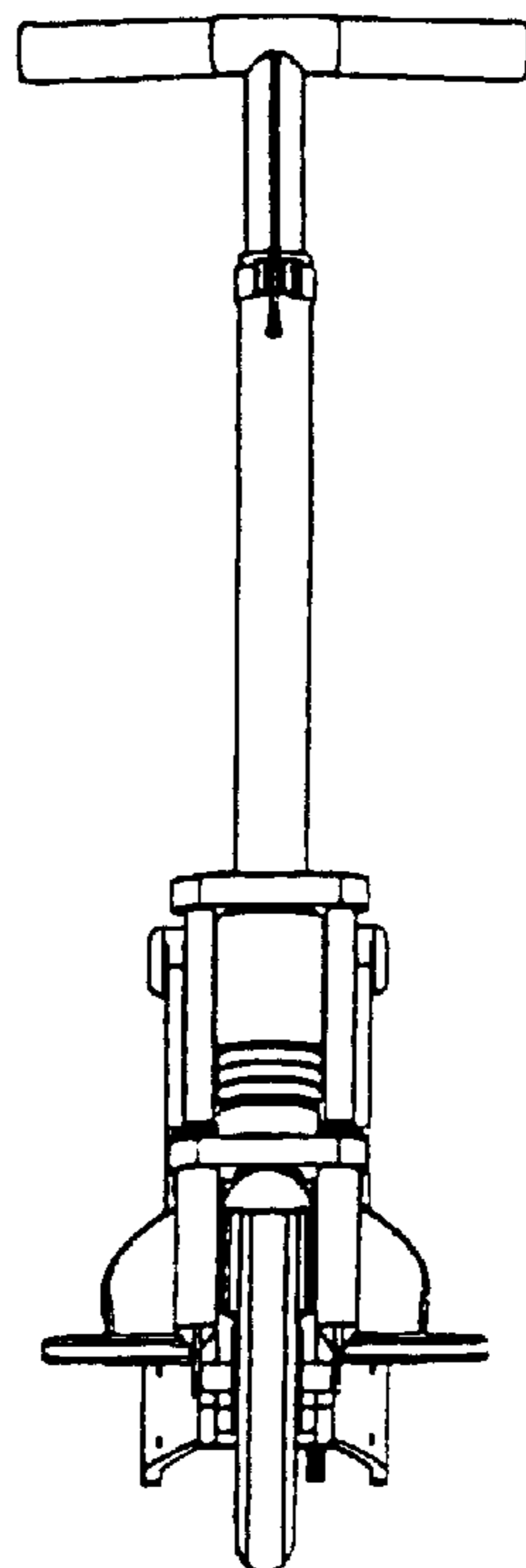


FIGURE 3

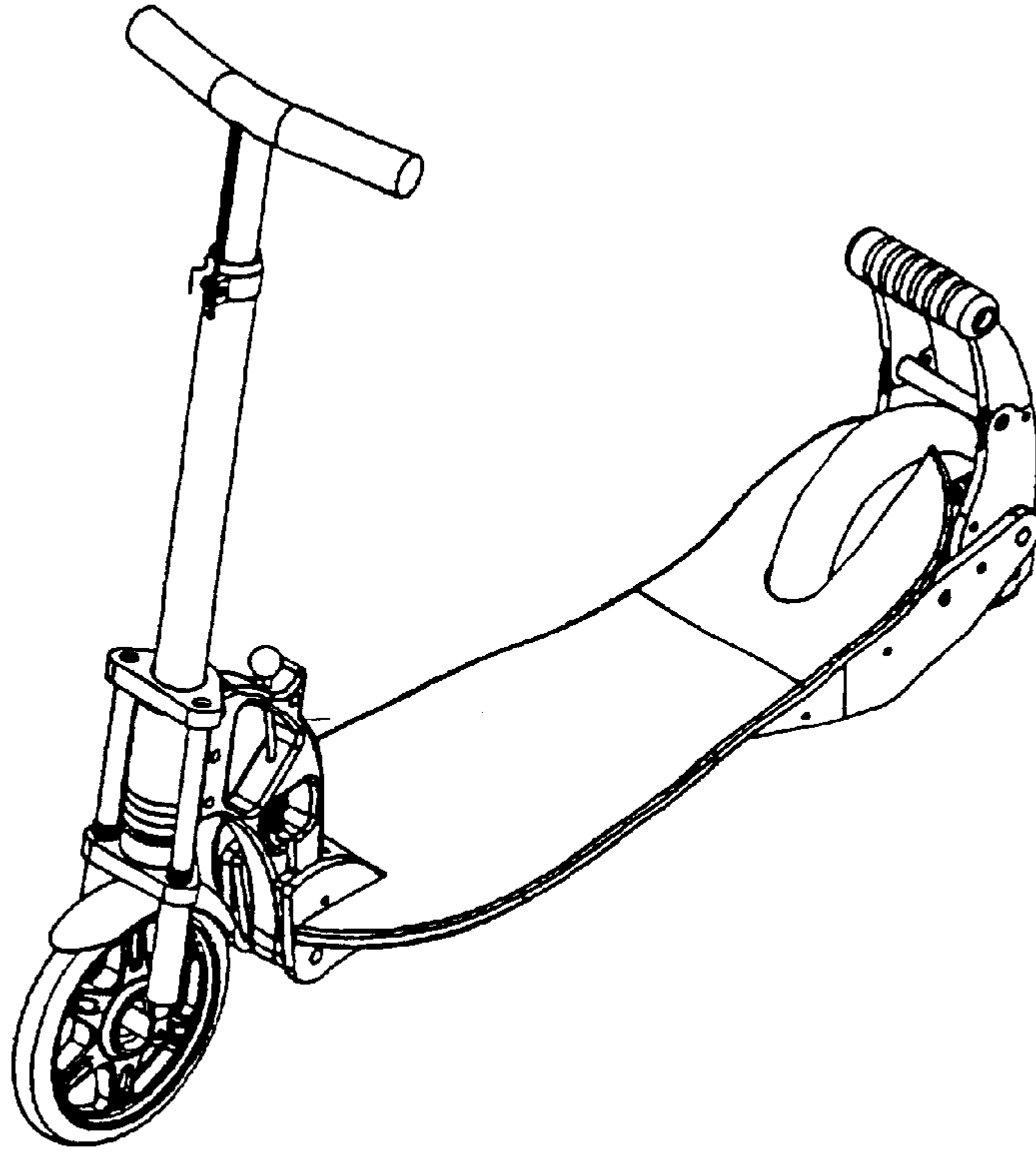


FIGURE 4

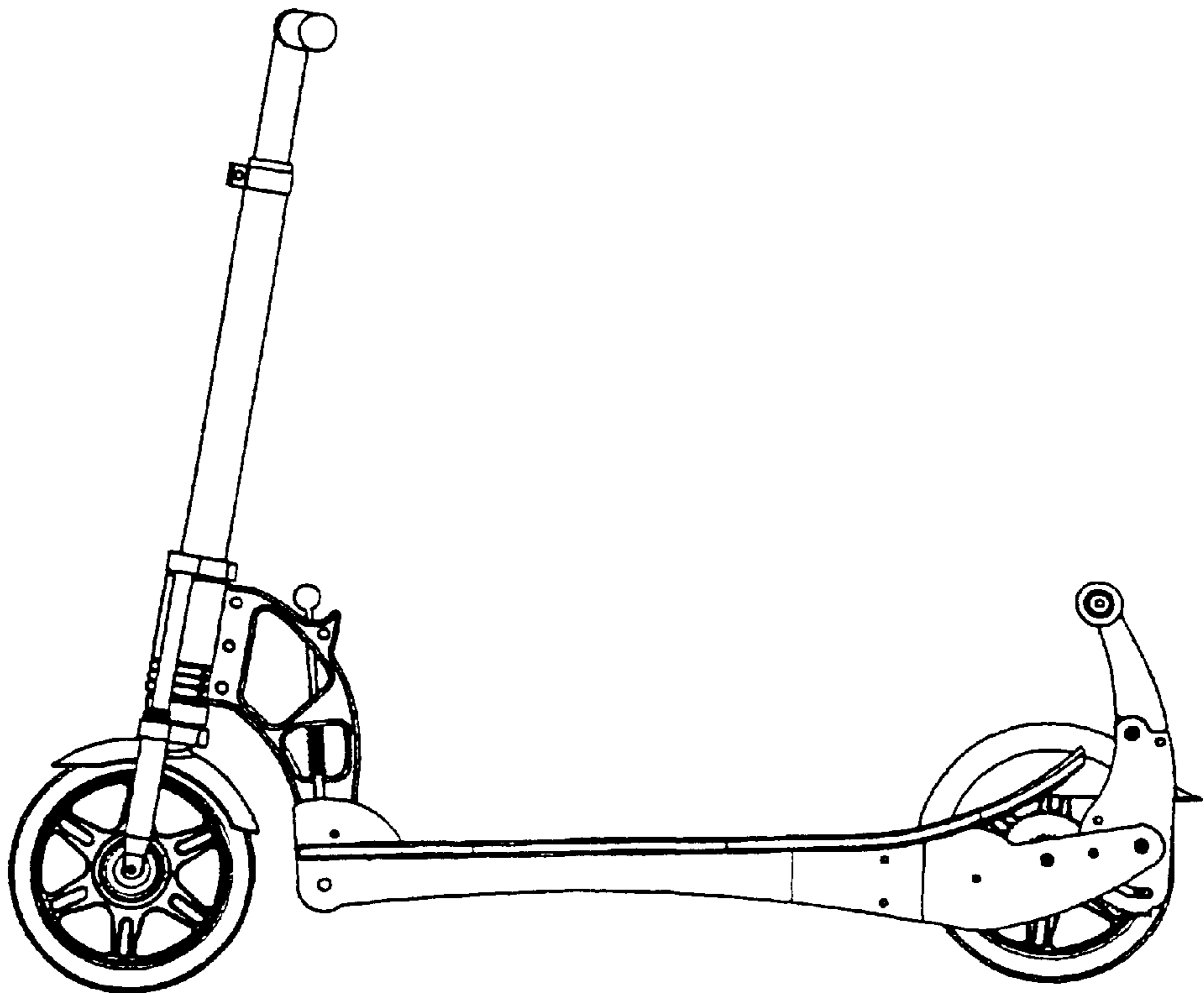


FIGURE 5

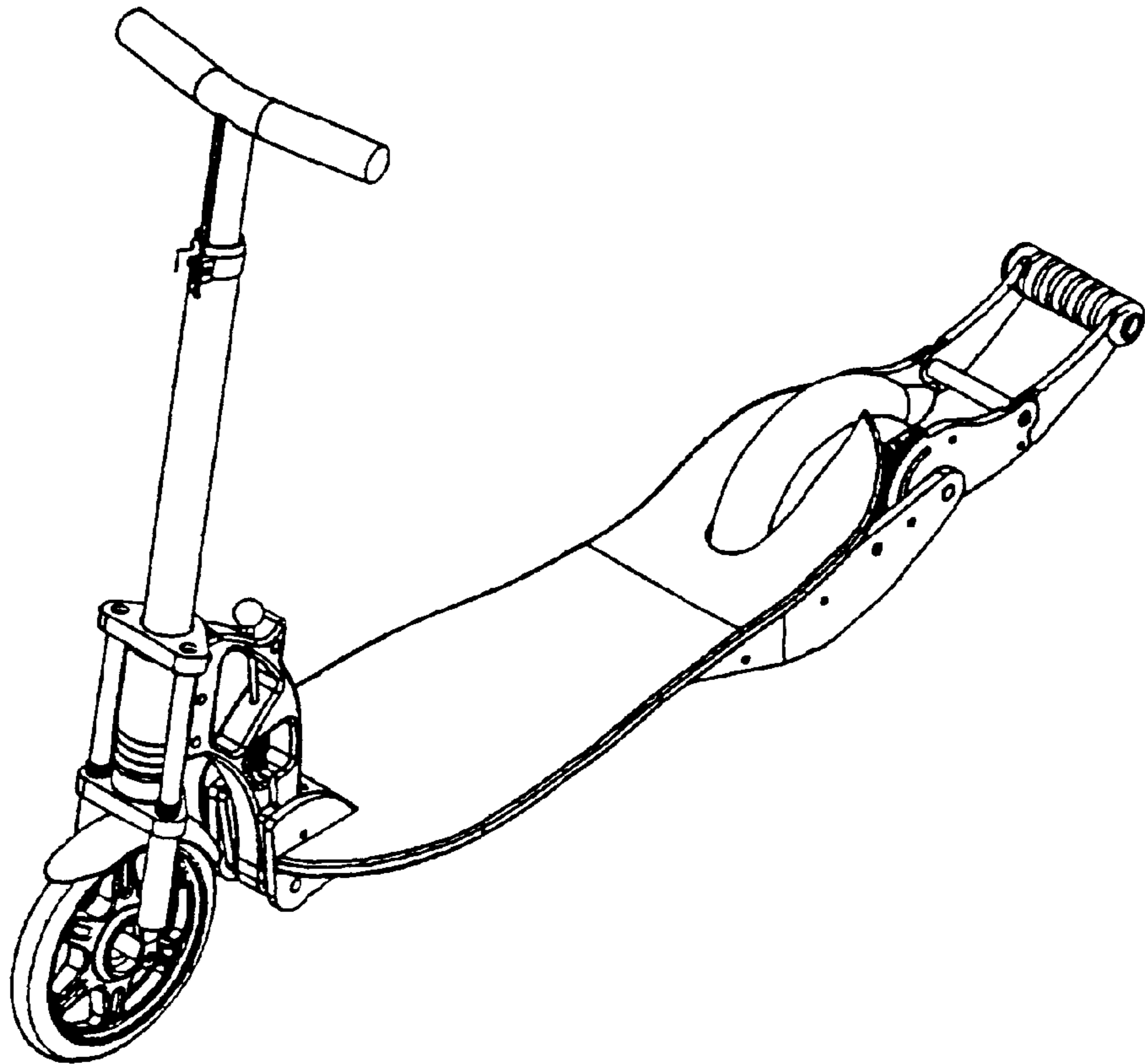


FIGURE 6

