



US00D453193S

(12) **United States Design Patent**
Isaacs et al.

(10) **Patent No.:** **US D453,193 S**

(45) **Date of Patent:** **** Jan. 29, 2002**

(54) **IDENTIFICATION TAG**

(75) Inventors: **Judah Isaacs; Linda Robin Fuchs Isaacs**, both of Far Rockaway, NY (US)

(73) Assignee: **Innovative Premiums, Inc.**, Oceanside, NY (US)

(**) Term: **14 Years**

(21) Appl. No.: **29/142,754**

(22) Filed: **Jun. 1, 2001**

(51) **LOC (7) Cl.** **20-02**

(52) **U.S. Cl.** **D20/22**

(58) **Field of Search** D20/22-28; 40/1, 40/1.5, 1.6, 124.01, 299, 300, 301, 310, 311, 316, 317

(56) **References Cited**

U.S. PATENT DOCUMENTS

D346,827 S	*	5/1994	Wolff	D20/22
D358,615 S	*	5/1995	Cline	D20/22
D390,275 S	*	2/1998	Wolff	D20/22
D390,607 S	*	2/1998	Rashman et al.	D20/22

* cited by examiner

Primary Examiner—Marcus A. Jackson

(74) *Attorney, Agent, or Firm*—Rosenman & Colin LLP

(57) **CLAIM**

The ornamental design for a identification tag, as shown and described.

DESCRIPTION

FIG. 1 is a perspective view of an identification tag in the closed position showing our new design, with the dotted lines showing the environment of use and forming no part of the claimed invention;

FIG. 2 is a top view thereof;

FIG. 3 is a bottom view thereof;

FIG. 4 is a front view thereof;

FIG. 5 is a rear view thereof;

FIG. 6 is a right view thereof;

FIG. 7 is a left view thereof;

FIG. 8 is a perspective view of our identification tag in the open position showing our new design,

FIG. 9 is a front, outer view thereof;

FIG. 10 is a rear, inner view thereof;

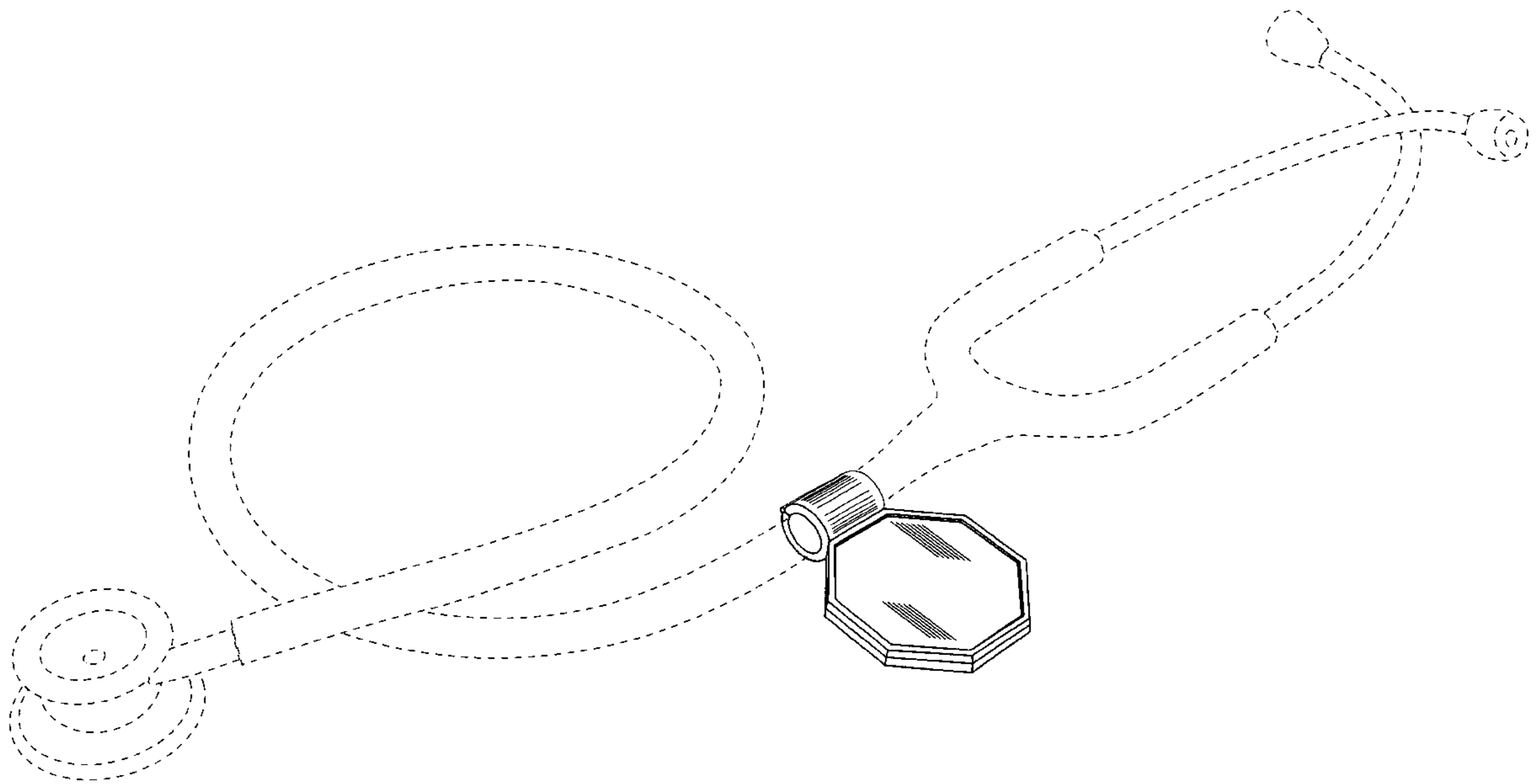
FIG. 11 is a right view thereof;

FIG. 12 is a left view thereof;

FIG. 13 is a top view thereof; and,

FIG. 14 is a bottom view thereof.

1 Claim, 3 Drawing Sheets



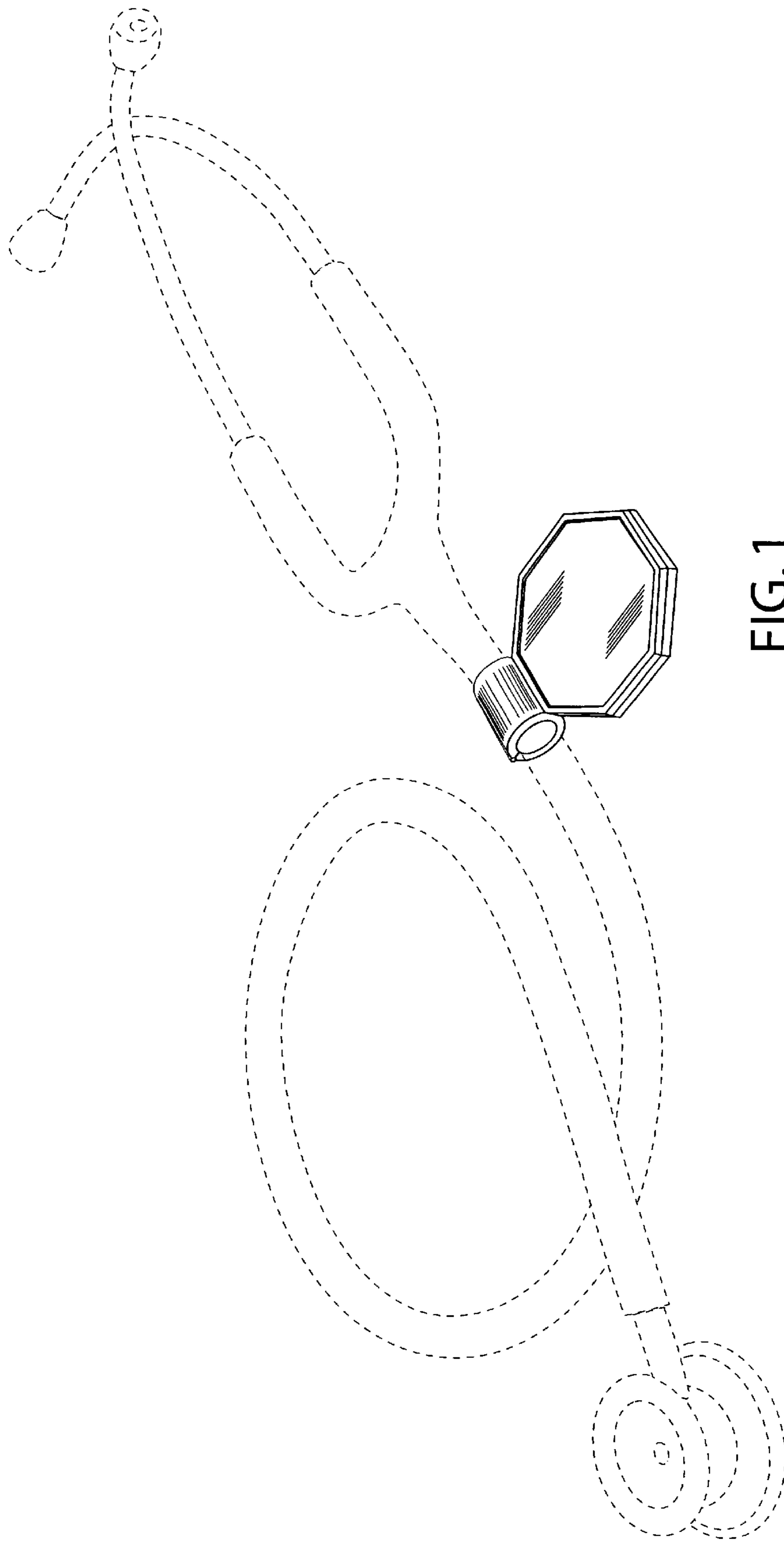


FIG. 1



FIG. 2

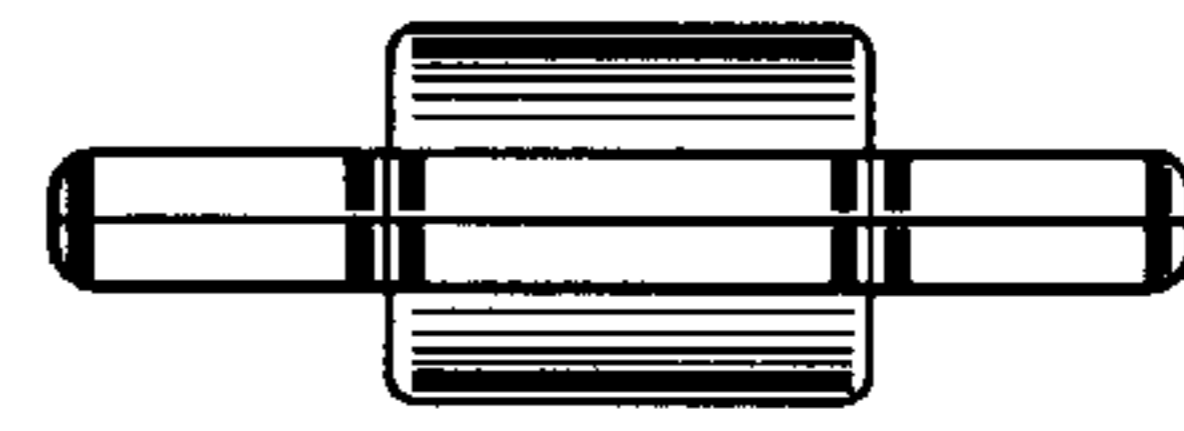


FIG. 3

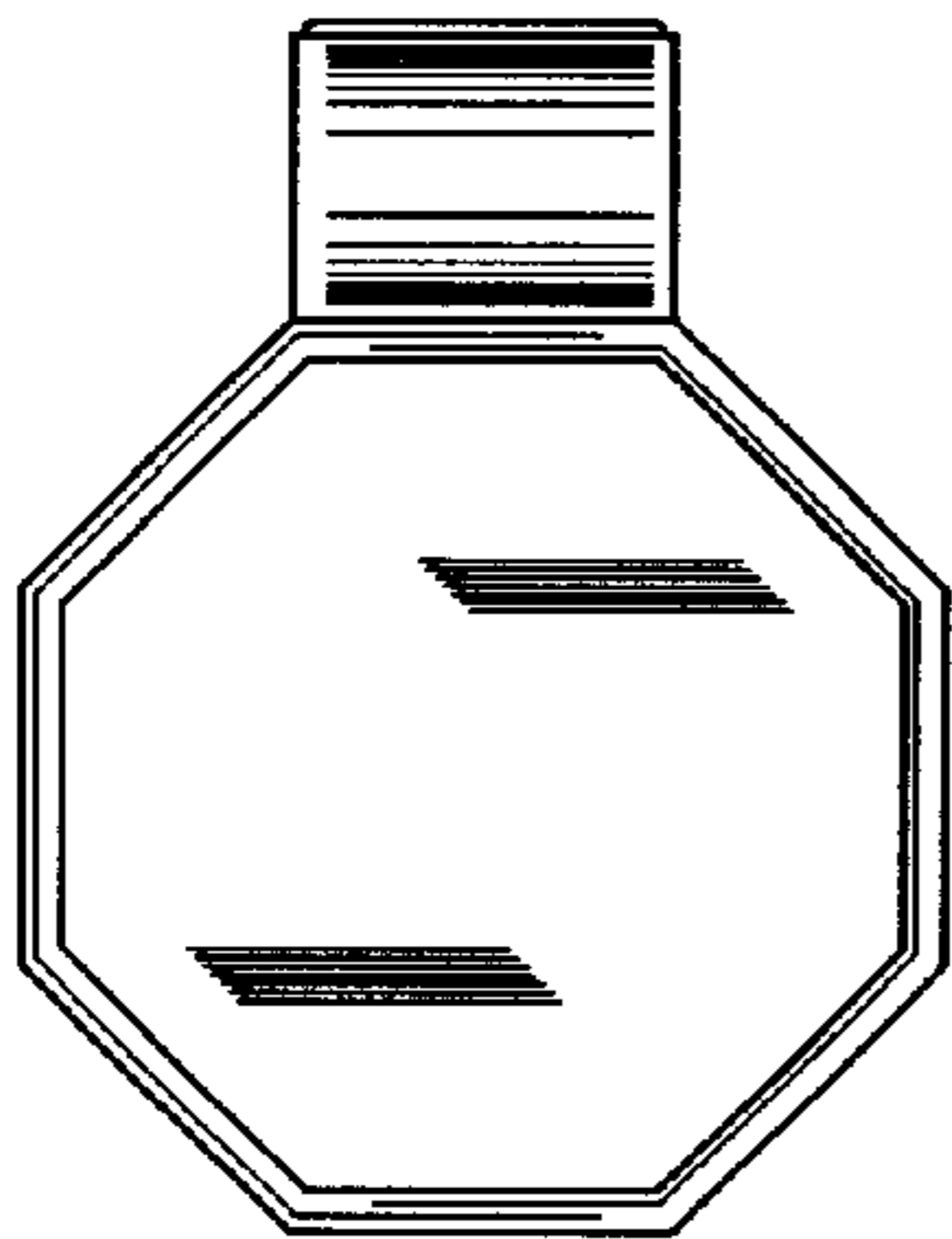


FIG. 4

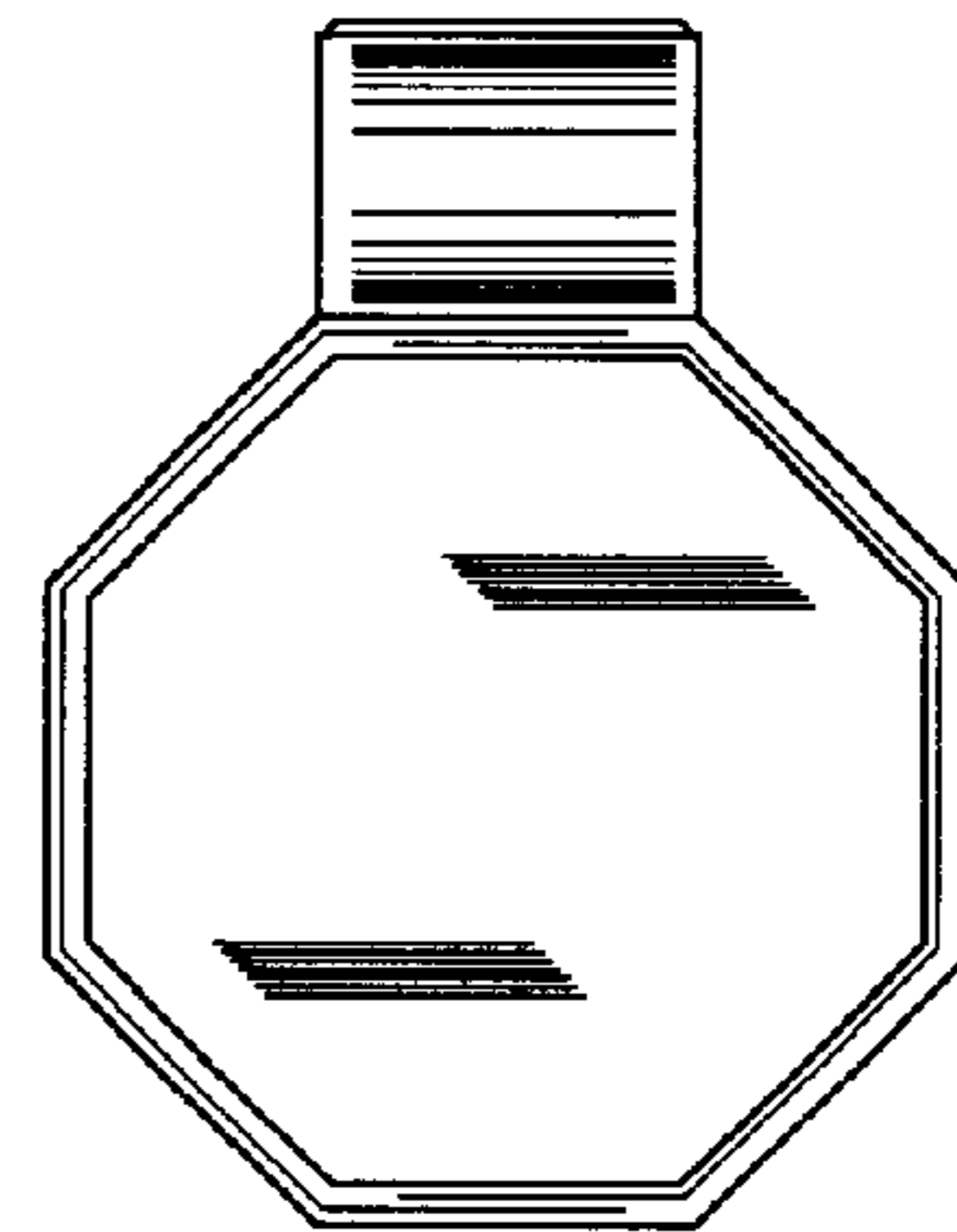


FIG. 5

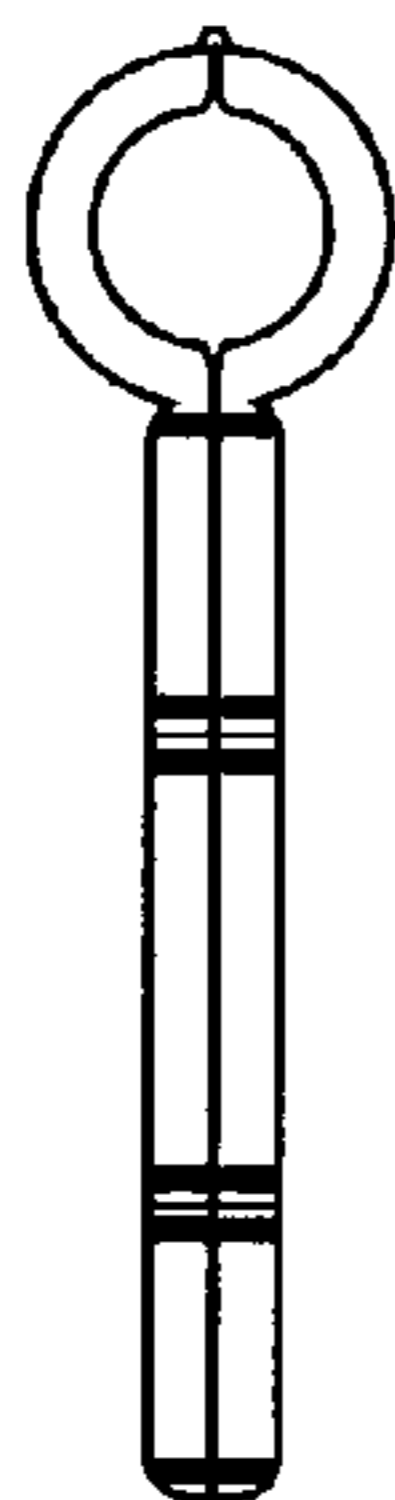


FIG. 6

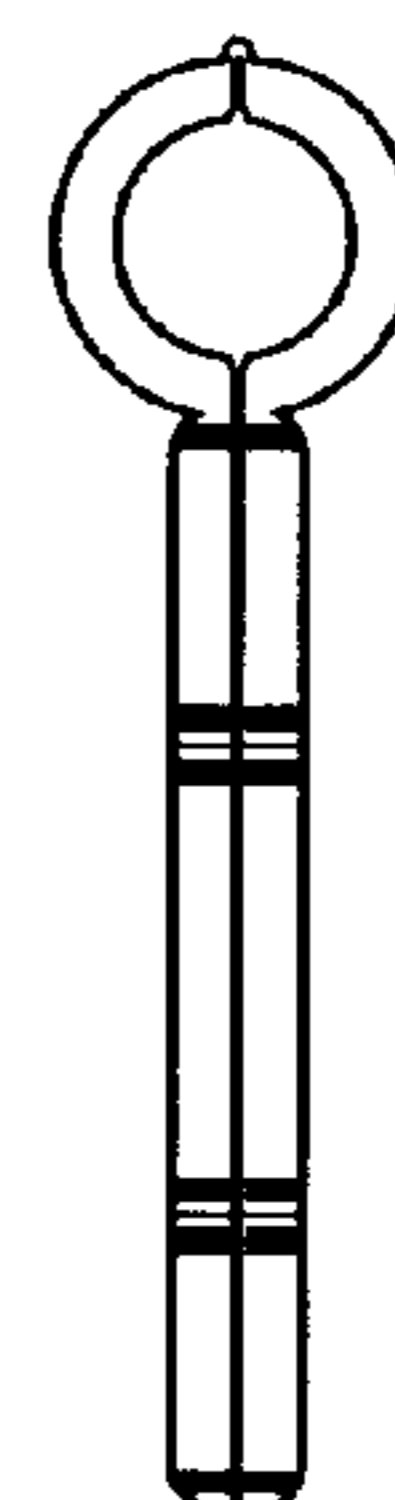


FIG. 7

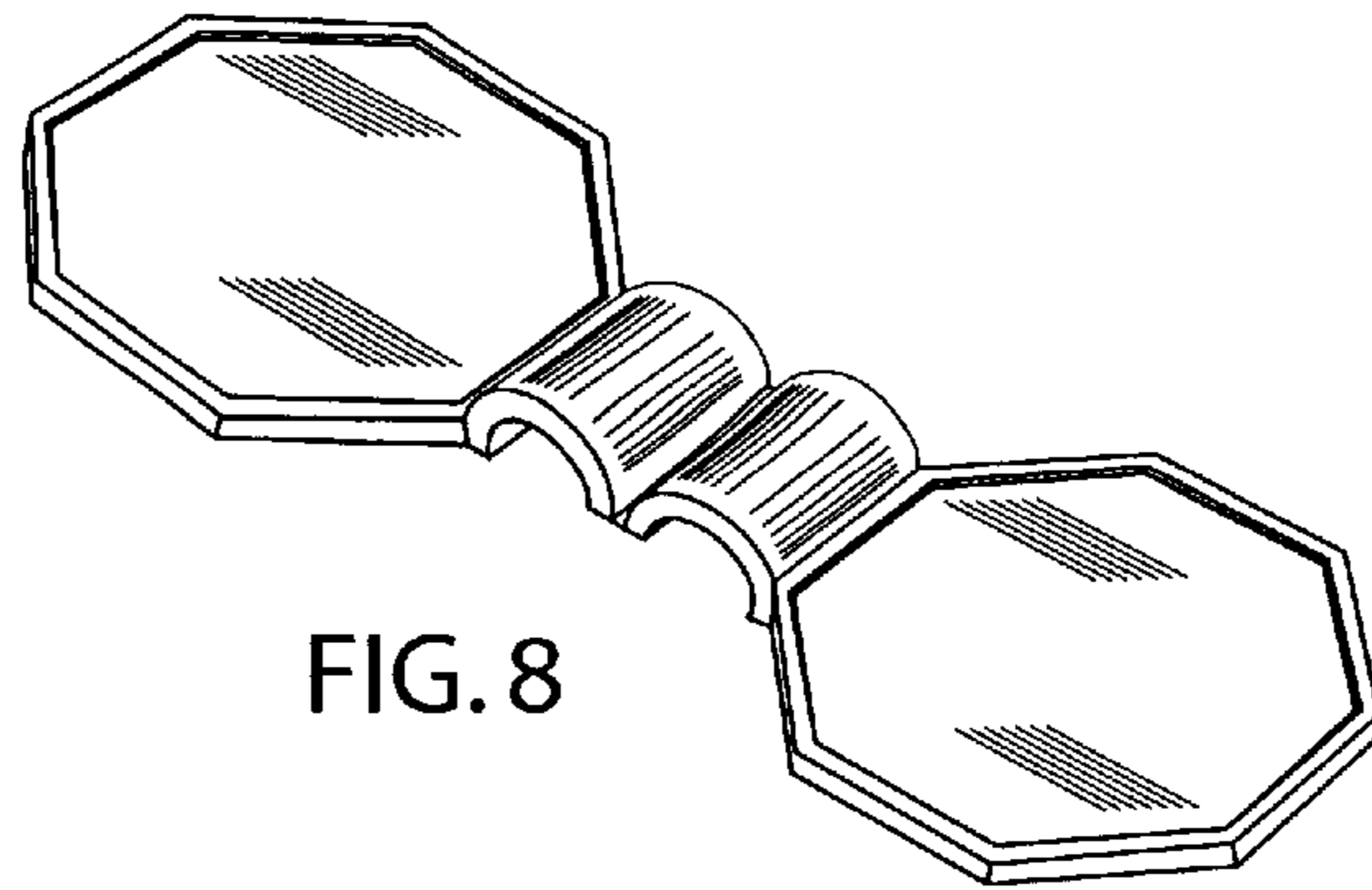


FIG. 8

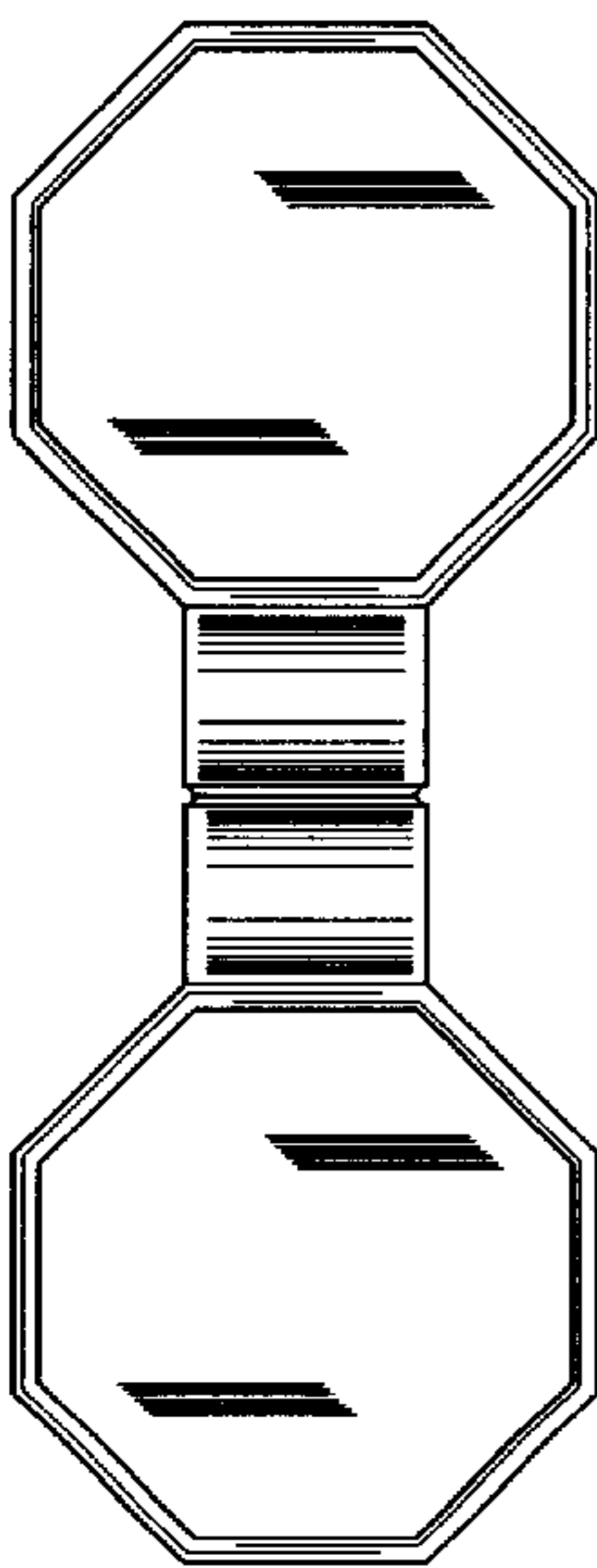


FIG. 9

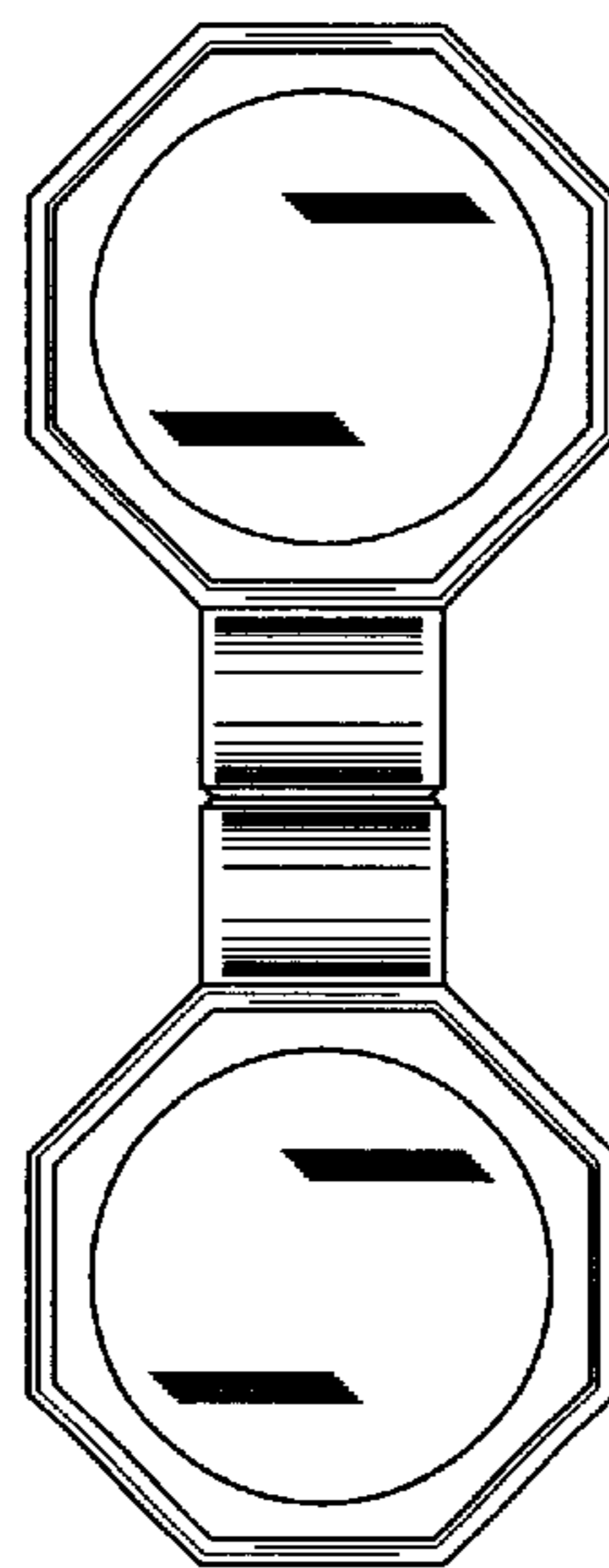


FIG. 10



FIG. 11



FIG. 12

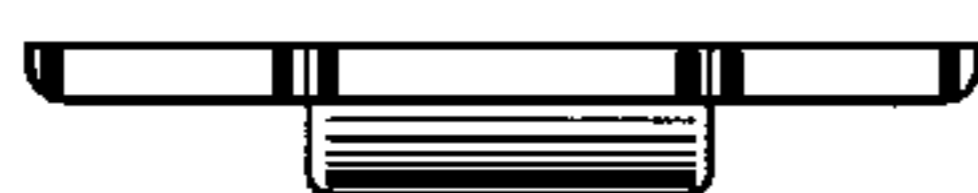


FIG. 13

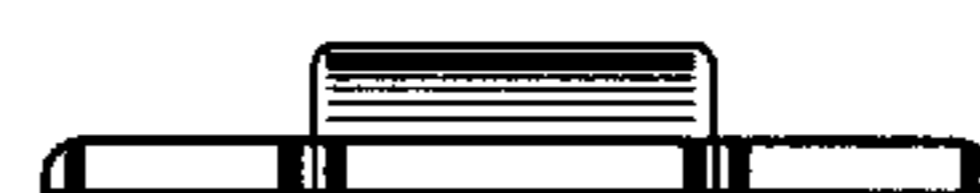


FIG. 14