



US00D453181S

(12) **United States Design Patent**
Shimamura

(10) **Patent No.:** **US D453,181 S**

(45) **Date of Patent:** **** Jan. 29, 2002**

(54) **PHOTOCOPIER**

D415,787 S * 10/1999 Clark, III et al. D18/36
D425,929 S * 5/2000 Imai D18/36

(75) Inventor: **Junichiro Shimamura**, Funabashi (JP)

* cited by examiner

(73) Assignee: **Canon Kabushiki Kaisha**, Tokyo (JP)

Primary Examiner—Caron D. Veynar

(**) Term: **14 Years**

(74) *Attorney, Agent, or Firm*—Fitzpatrick, Cella, Harper & Scinto

(21) Appl. No.: **29/141,659**

(57) **CLAIM**

(22) Filed: **May 11, 2001**

The ornamental design for a photocopier, as shown and described.

(30) **Foreign Application Priority Data**

DESCRIPTION

Nov. 17, 2000 (JP) 2000-032916

(51) **LOC (7) Cl.** **16-03**

FIG. 1 is a front view of a photocopier, showing my new design;

(52) **U.S. Cl.** **D18/38**

FIG. 2 is a rear view thereof;

(58) **Field of Search** D18/36-39, 53-56;
399/1-7, 75, 81, 144, 151, 407, 391-393

FIG. 3 is a top plan view thereof;

FIG. 4 is a bottom plan view thereof;

(56) **References Cited**

FIG. 5 is a left side view thereof;

FIG. 6 is a right side view thereof; and,

FIG. 7 is a perspective view thereof.

U.S. PATENT DOCUMENTS

D408,443 S * 4/1999 Sasaki D18/36

D410,675 S * 6/1999 Ohashi D18/36

1 Claim, 5 Drawing Sheets

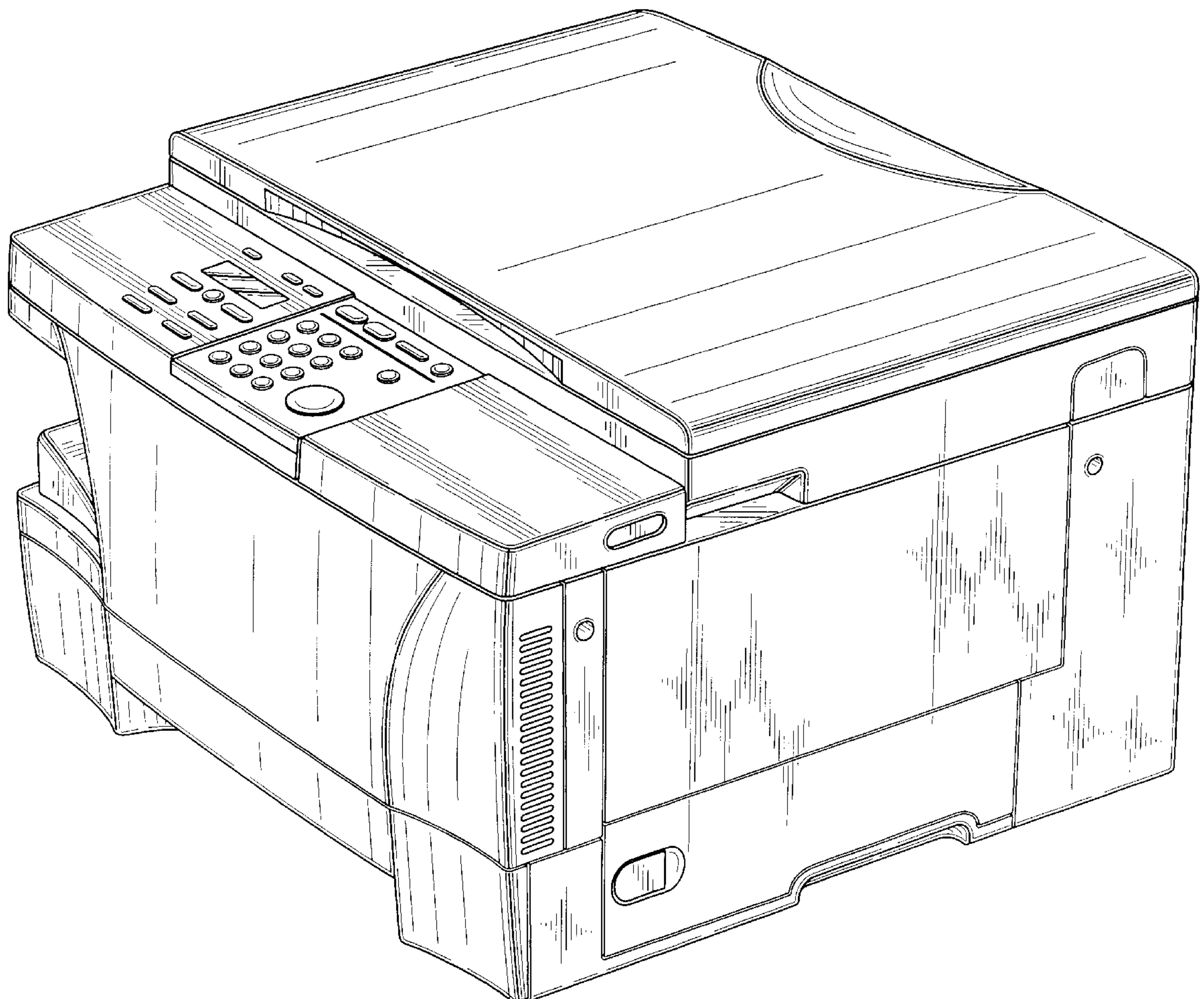


FIG. 1

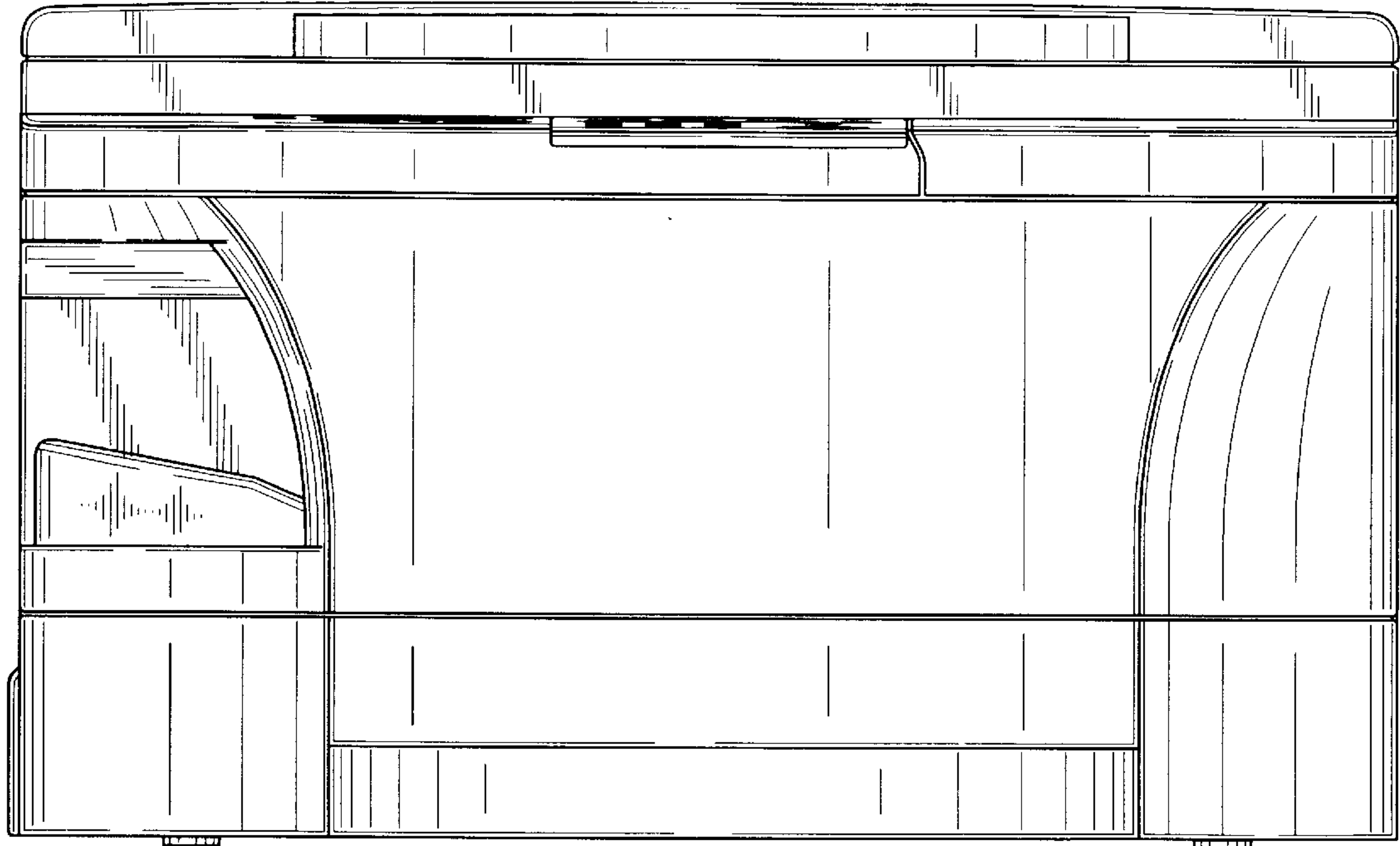


FIG. 2

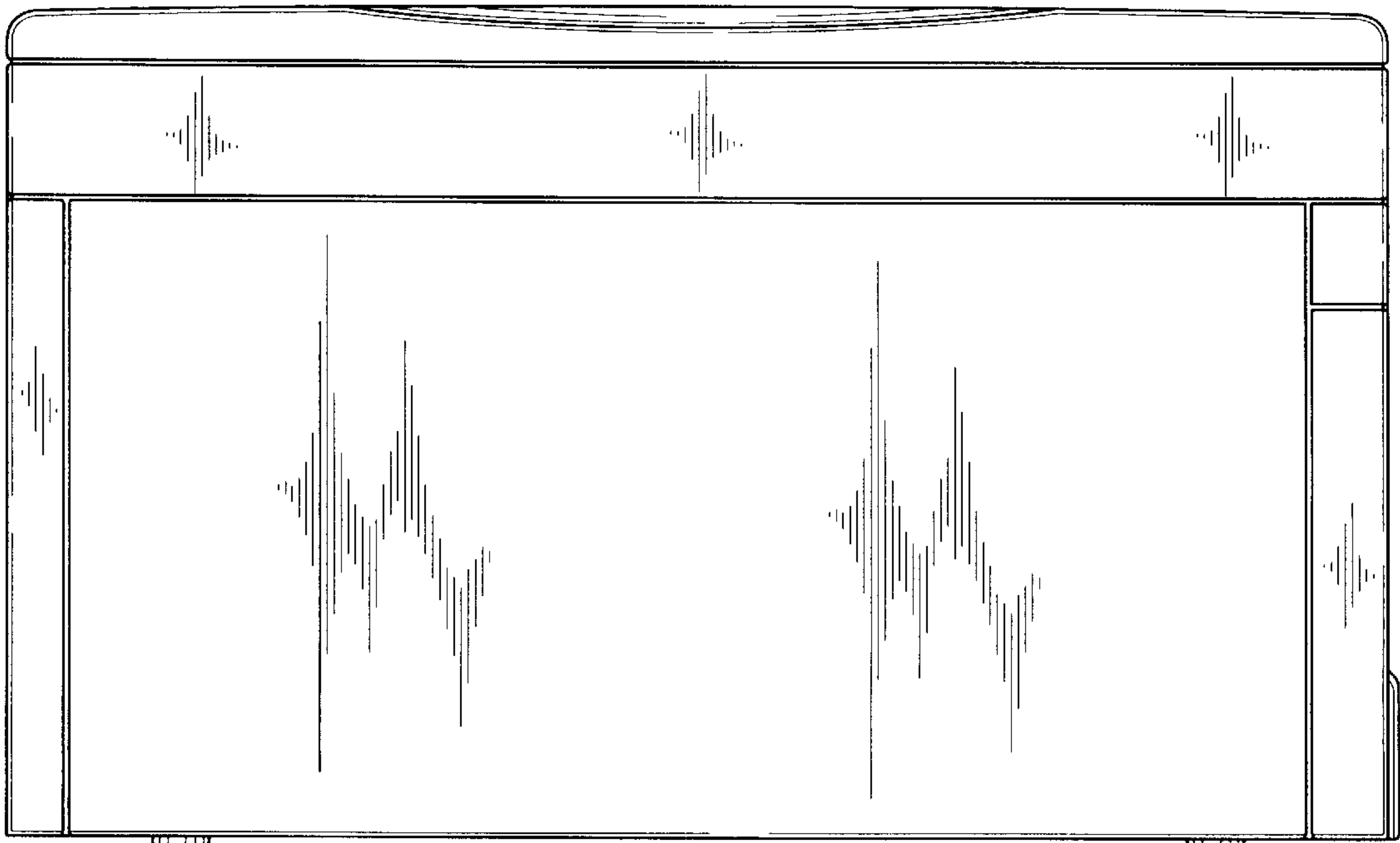


FIG. 3

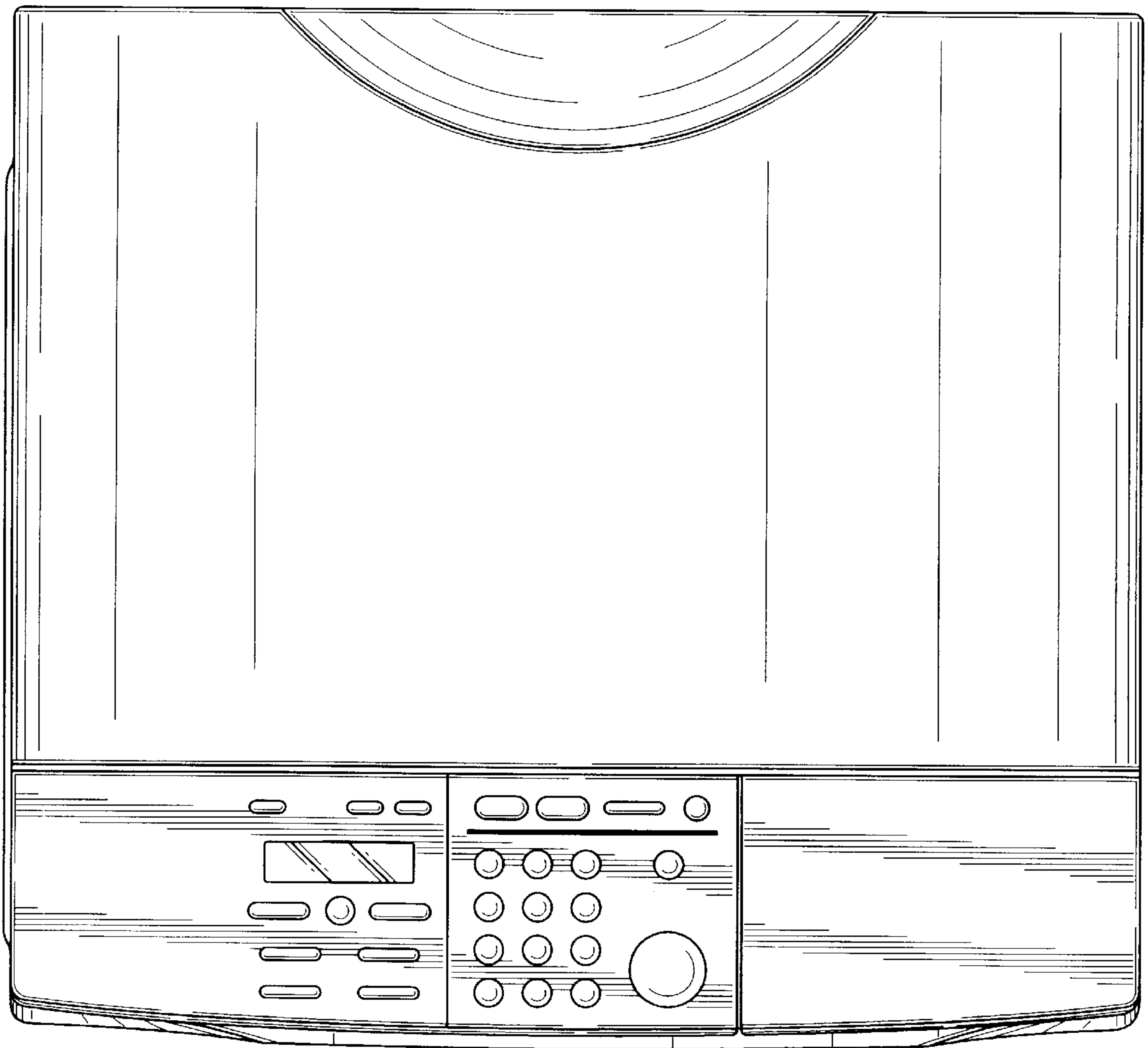


FIG. 4

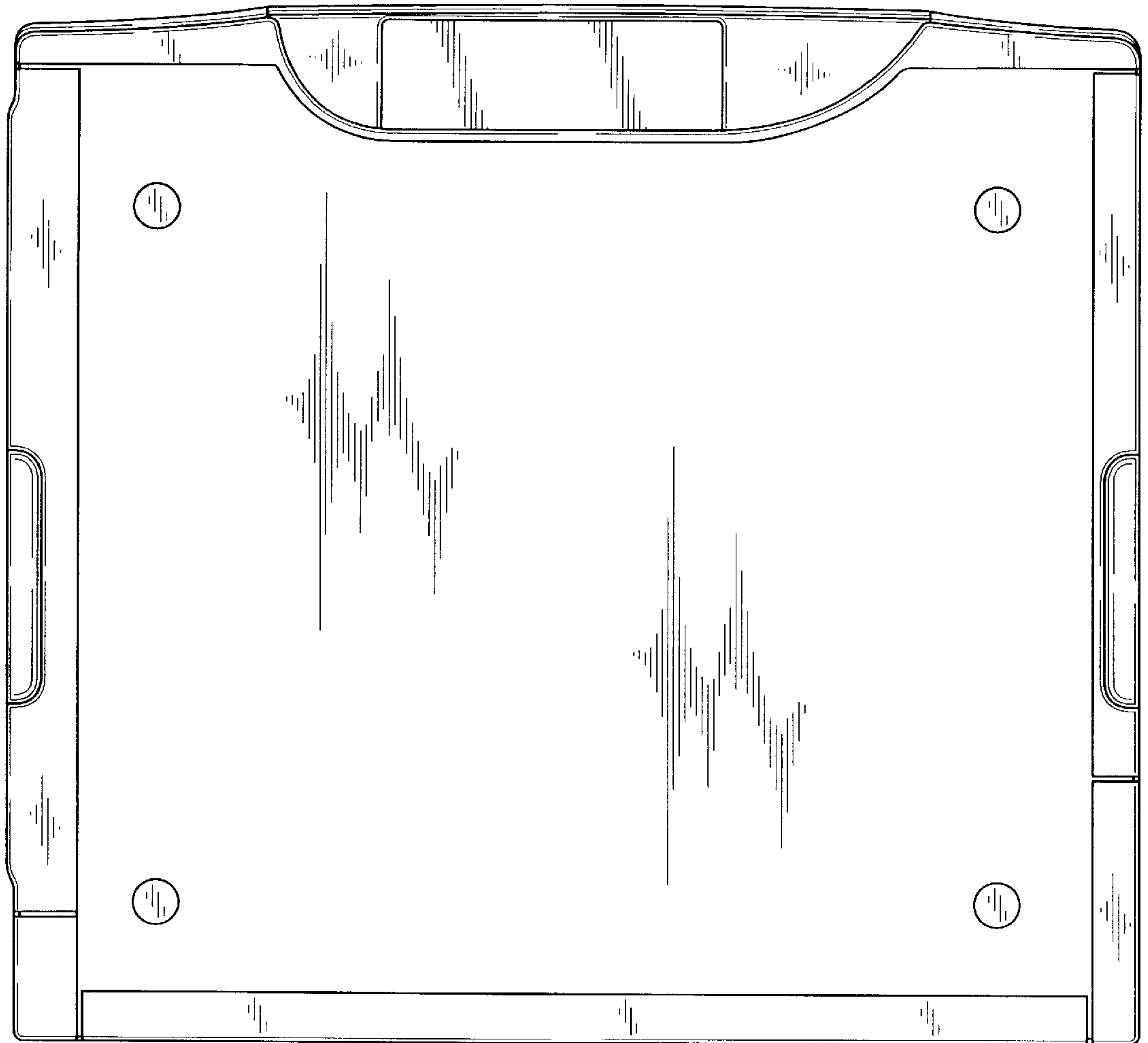


FIG. 5

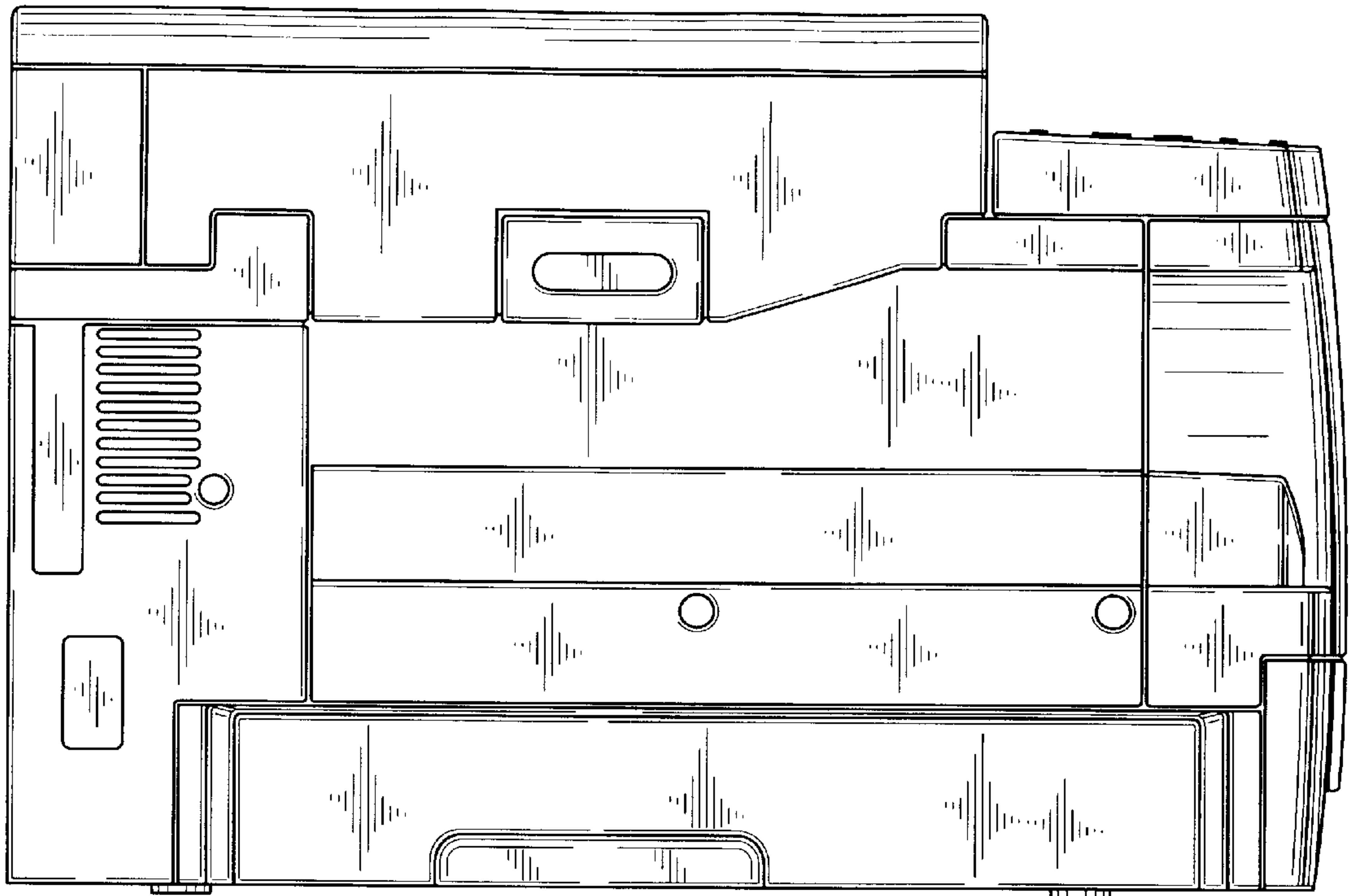
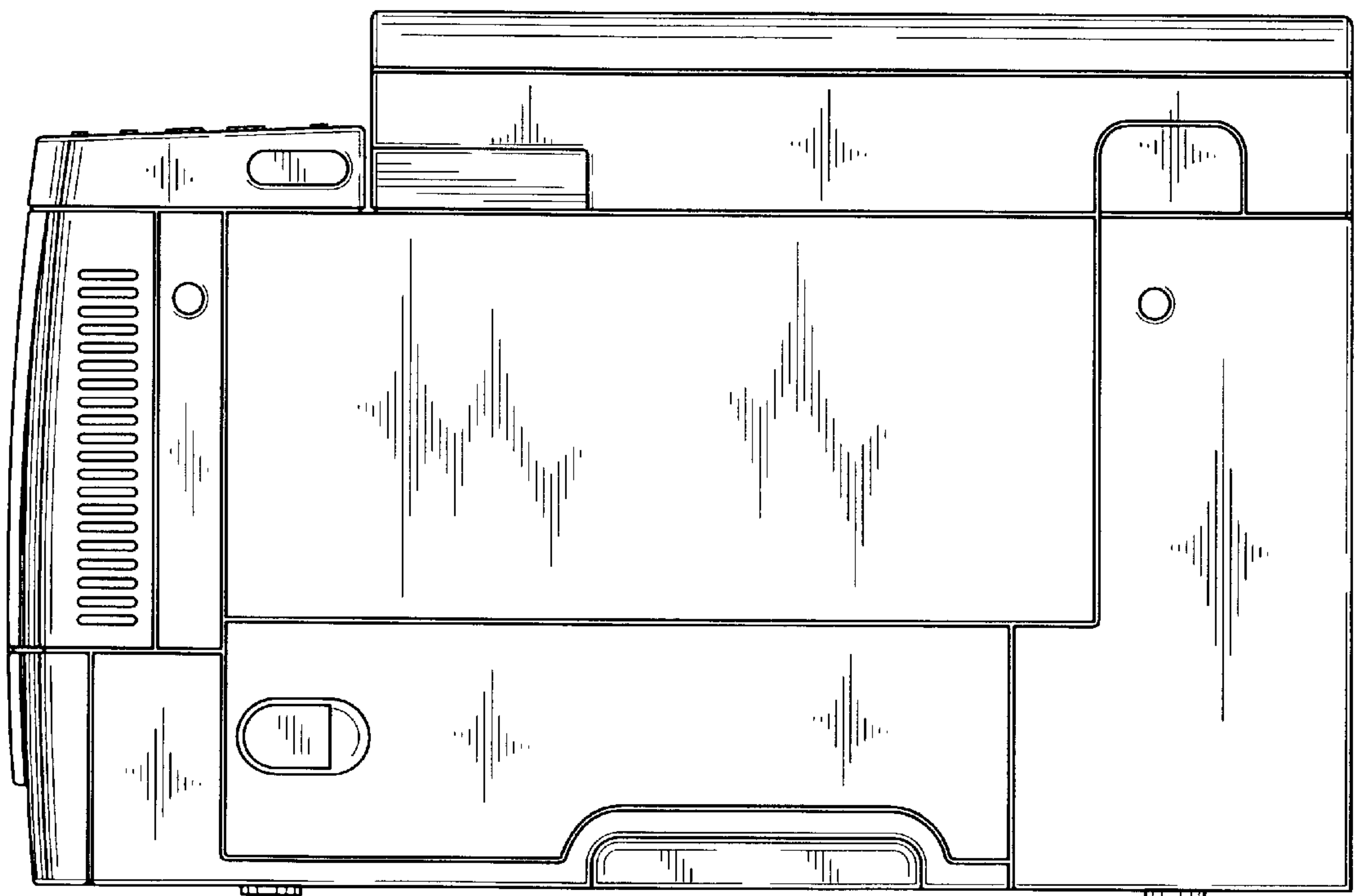


FIG. 6



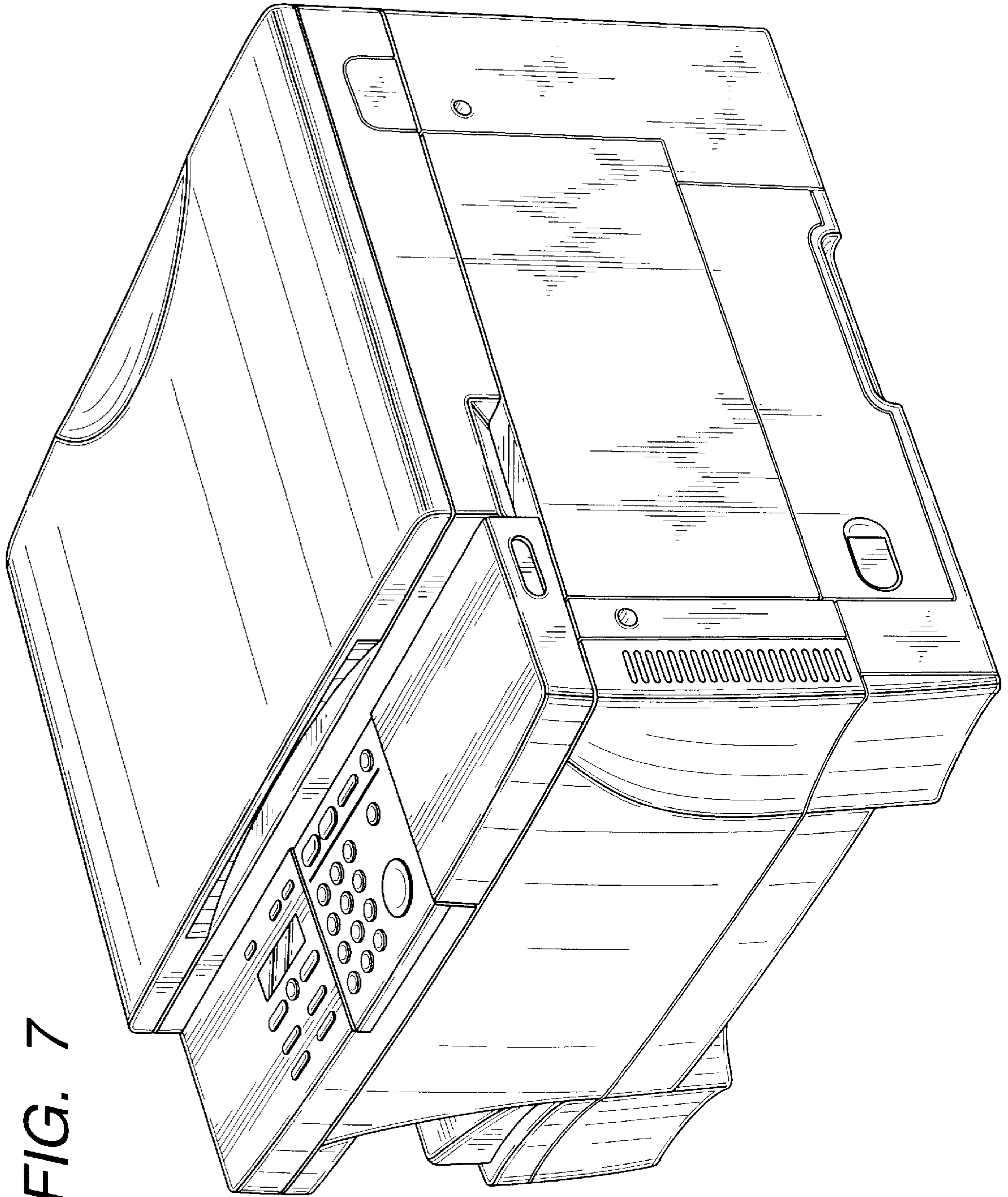


FIG. 7