



US00D453180S

(12) **United States Design Patent**
Matsumoto et al.

(10) **Patent No.:** **US D453,180 S**

(45) **Date of Patent:** **** Jan. 29, 2002**

(54) **INK RIBBON CARTRIDGE FOR LABEL PRINTING MACHINE**

D332,278 S * 1/1993 Miyamoto D18/12
D383,743 S * 9/1997 Suwa et al. D18/56
D425,545 S * 5/2000 Ishida D18/12

(75) Inventors: **Shigeru Matsumoto**, Toyokawa;
Shigeki Kato, Chiryu, both of (JP)

* cited by examiner

(73) Assignee: **Brother Industries, Ltd.**, Nagoya (JP)

Primary Examiner—Caron D. Veynar

(**) Term: **14 Years**

(74) *Attorney, Agent, or Firm*—Oliff & Berridge PLC

(21) Appl. No.: **29/138,629**

(22) Filed: **Mar. 19, 2001**

(57) **CLAIM**

The ornamental design for an ink ribbon cartridge for label printing machine, as shown and described.

(30) **Foreign Application Priority Data**

DESCRIPTION

Sep. 29, 2000 (JP) 12-027617

FIG. 1 is a top view of the ink ribbon cartridge for label printing machine;
FIG. 2 is a bottom view thereof;
FIG. 3 is a front view thereof;
FIG. 4 is a rear view thereof;
FIG. 5 is a left side view thereof;
FIG. 6 is a right side view thereof;
FIG. 7 is a top perspective view thereof from one end; and,
FIG. 8 is a bottom perspective view thereof from an opposite end.

(51) **LOC (7) Cl.** **18-01**

(52) **U.S. Cl.** **D18/12**

(58) **Field of Search** D18/12, 56; D14/471,
D14/481, 483; 400/207, 208, 234

(56) **References Cited**

1 Claim, 4 Drawing Sheets

U.S. PATENT DOCUMENTS

D331,771 S * 12/1992 Yoshihara D18/12

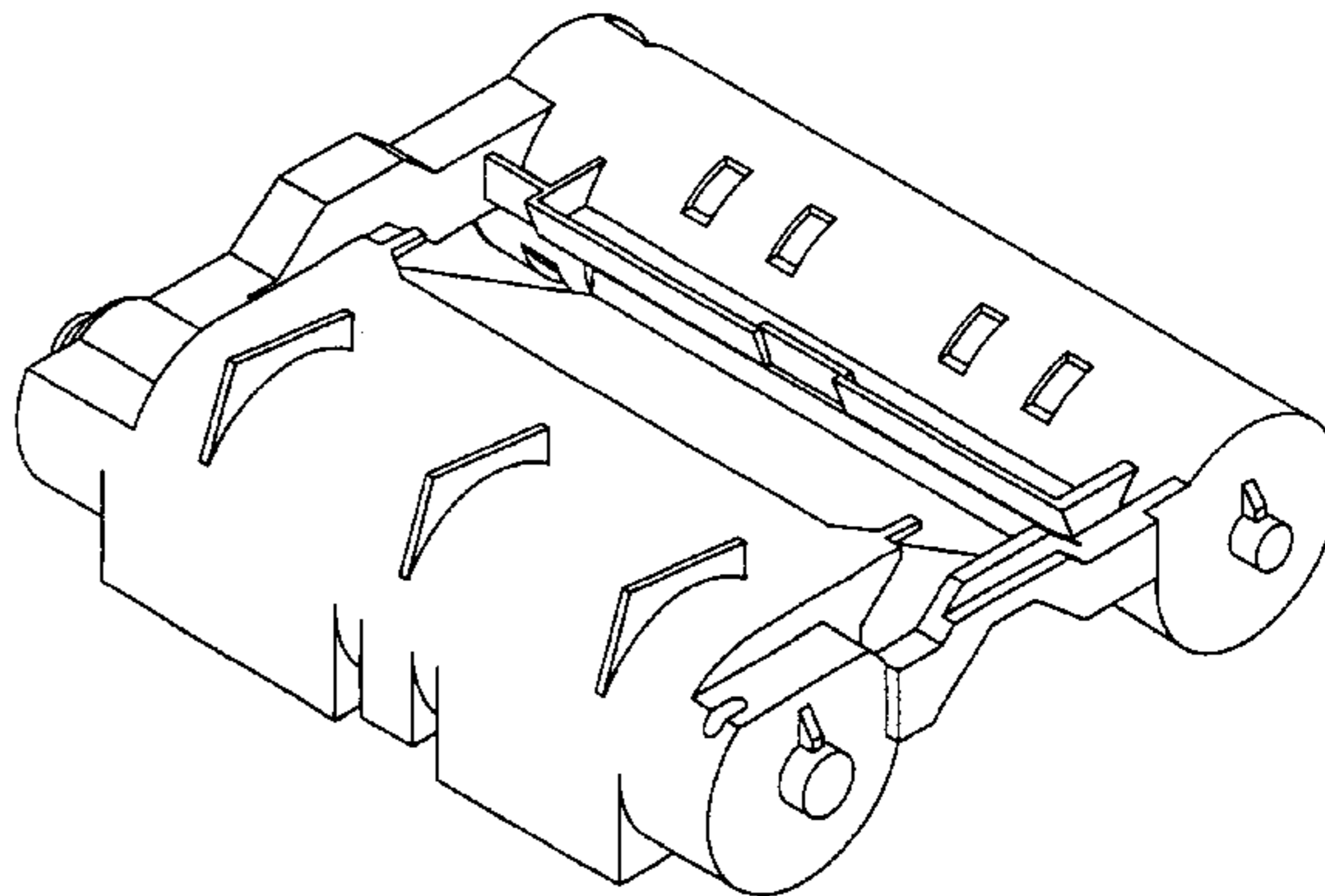
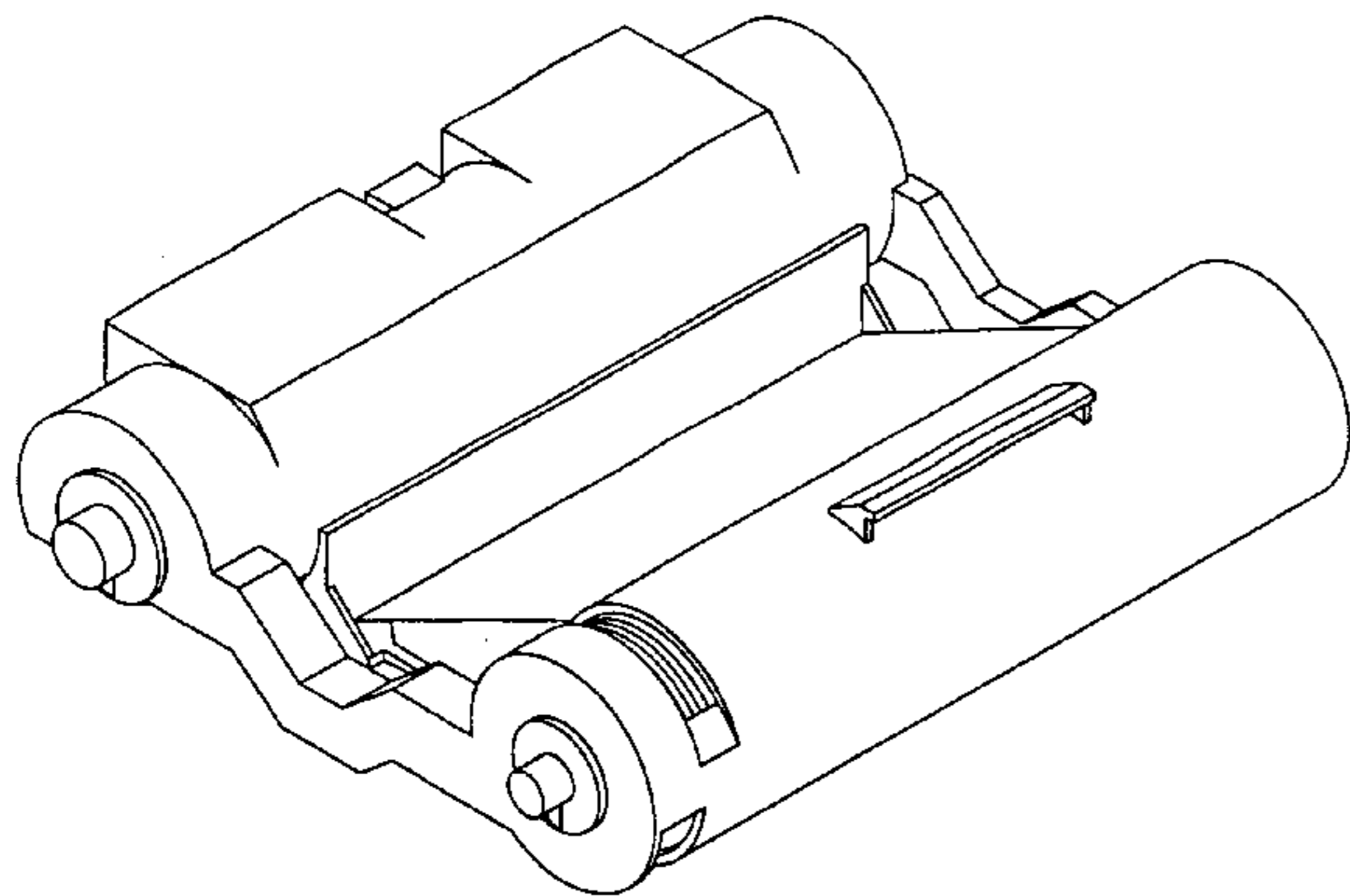


Fig. 1

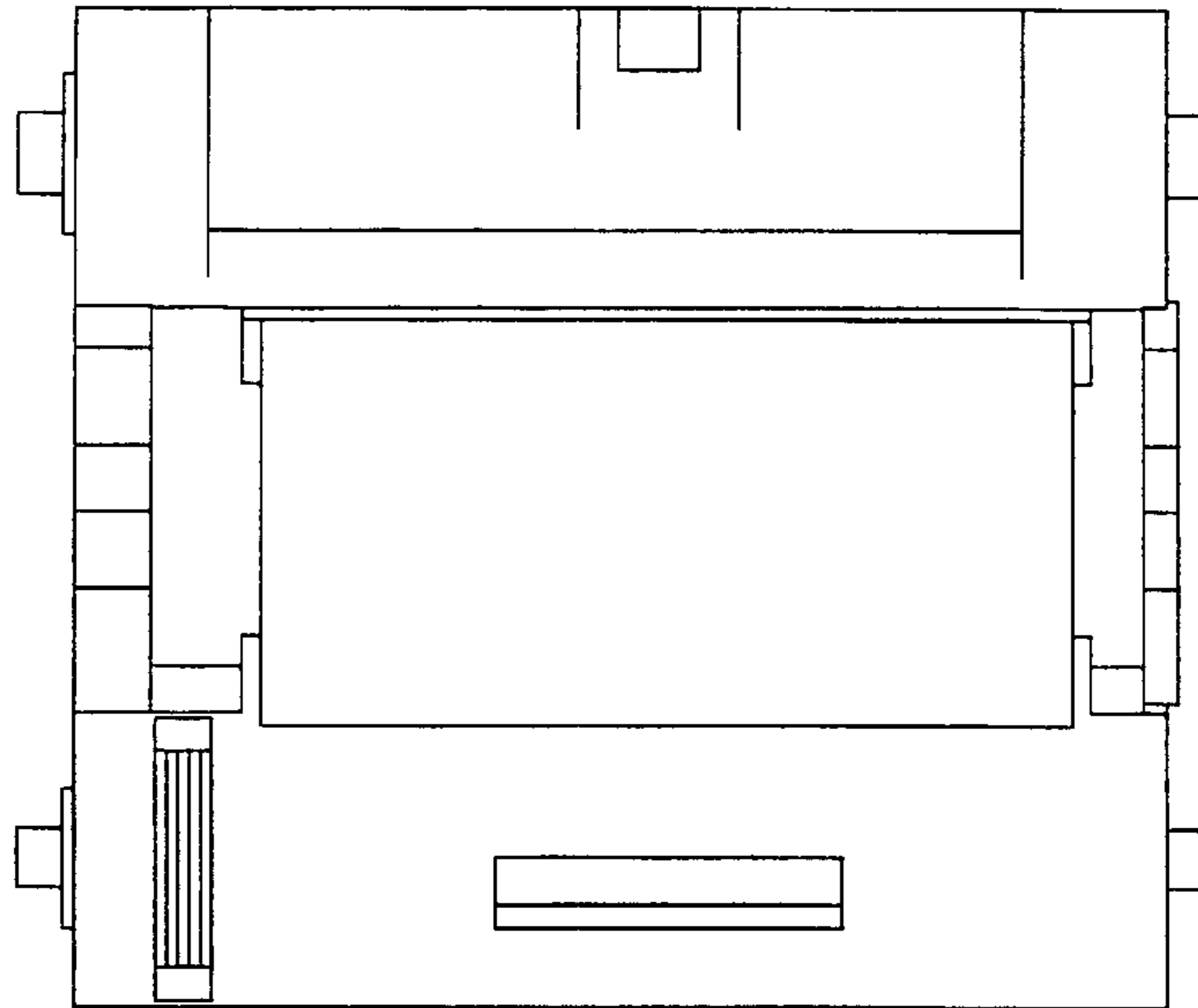


Fig. 2

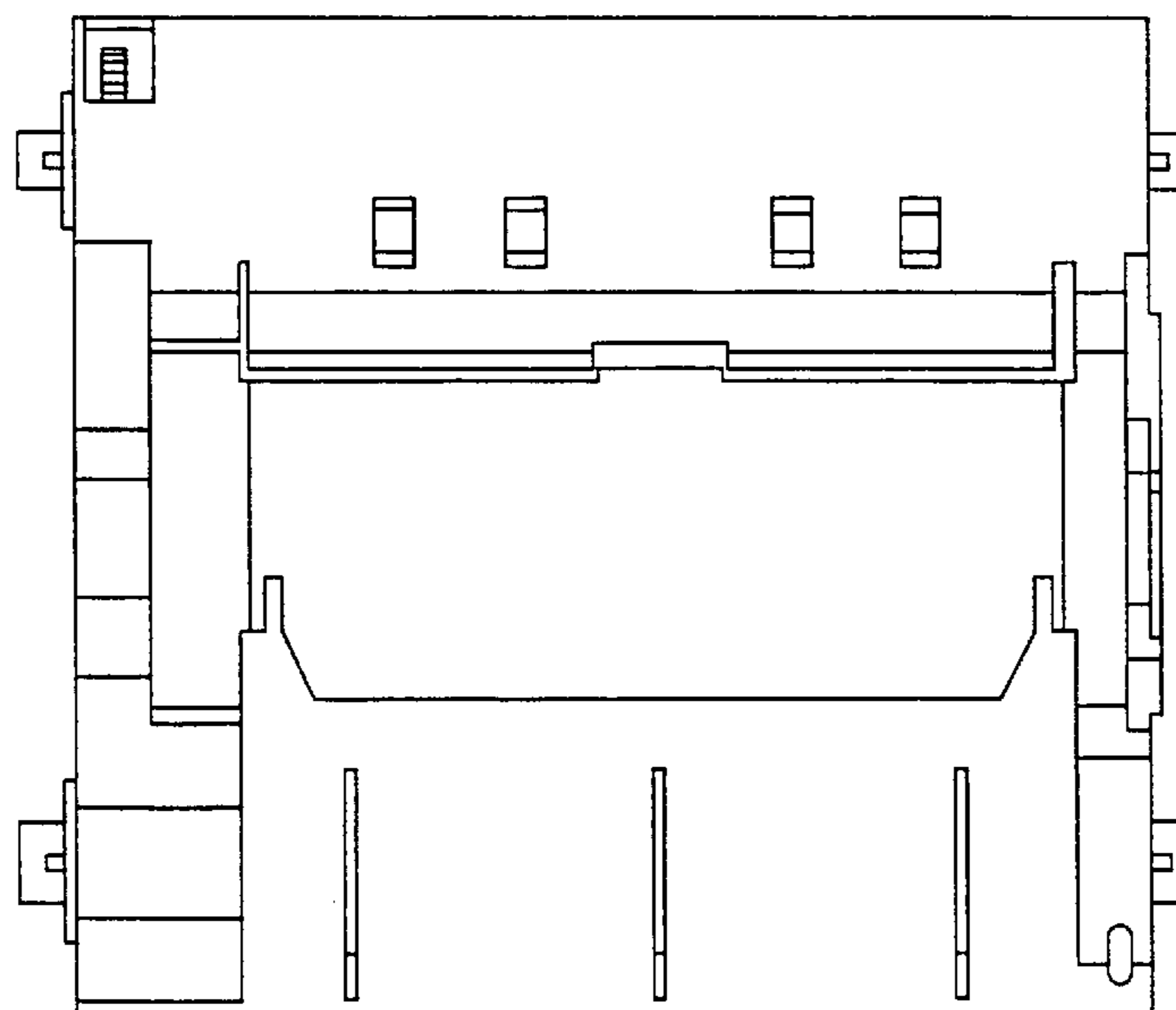


Fig. 3

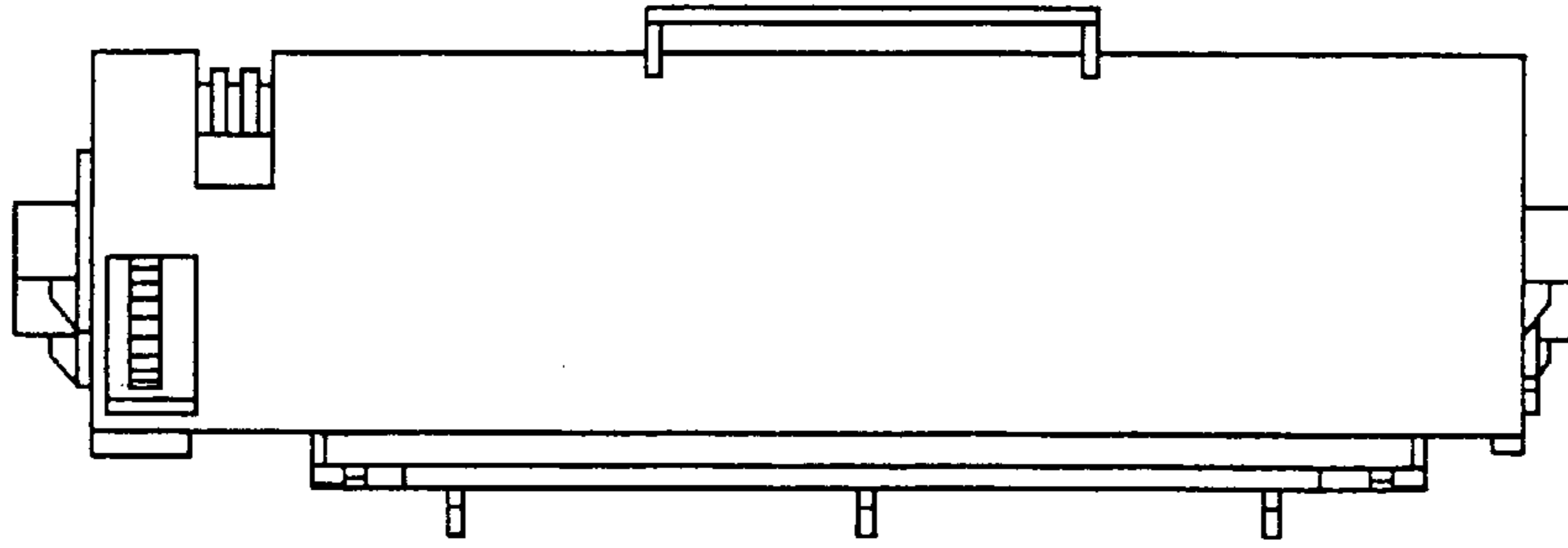


Fig. 4

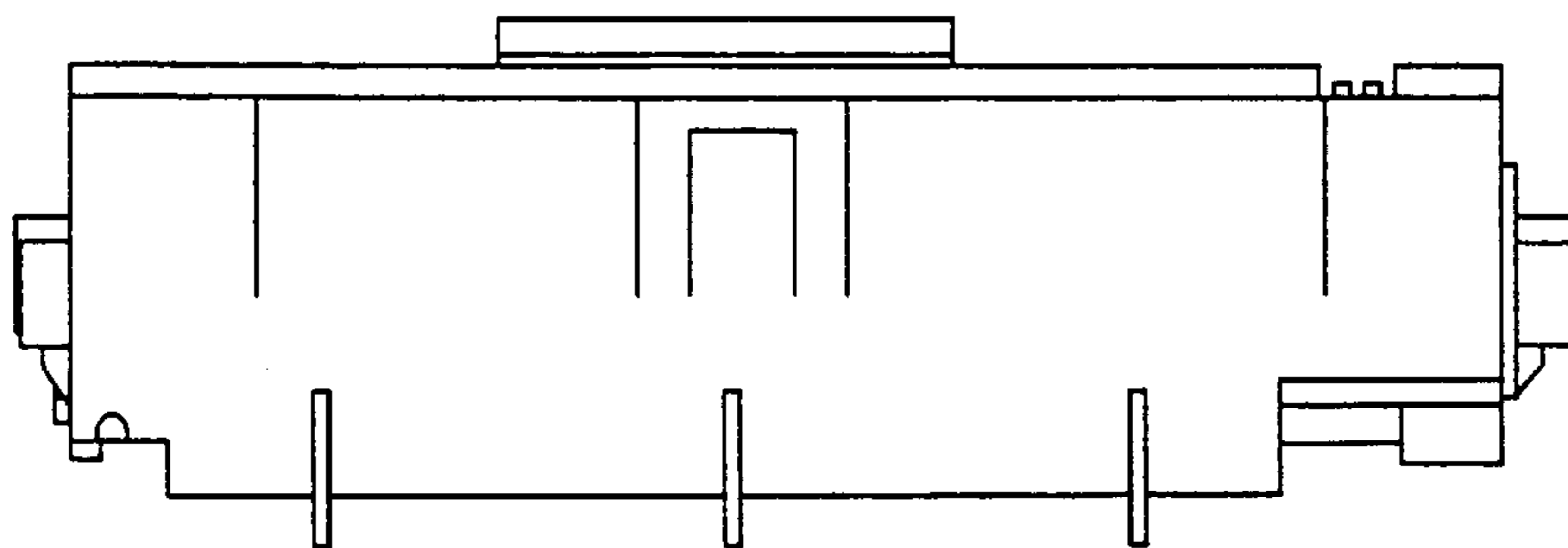


Fig. 5

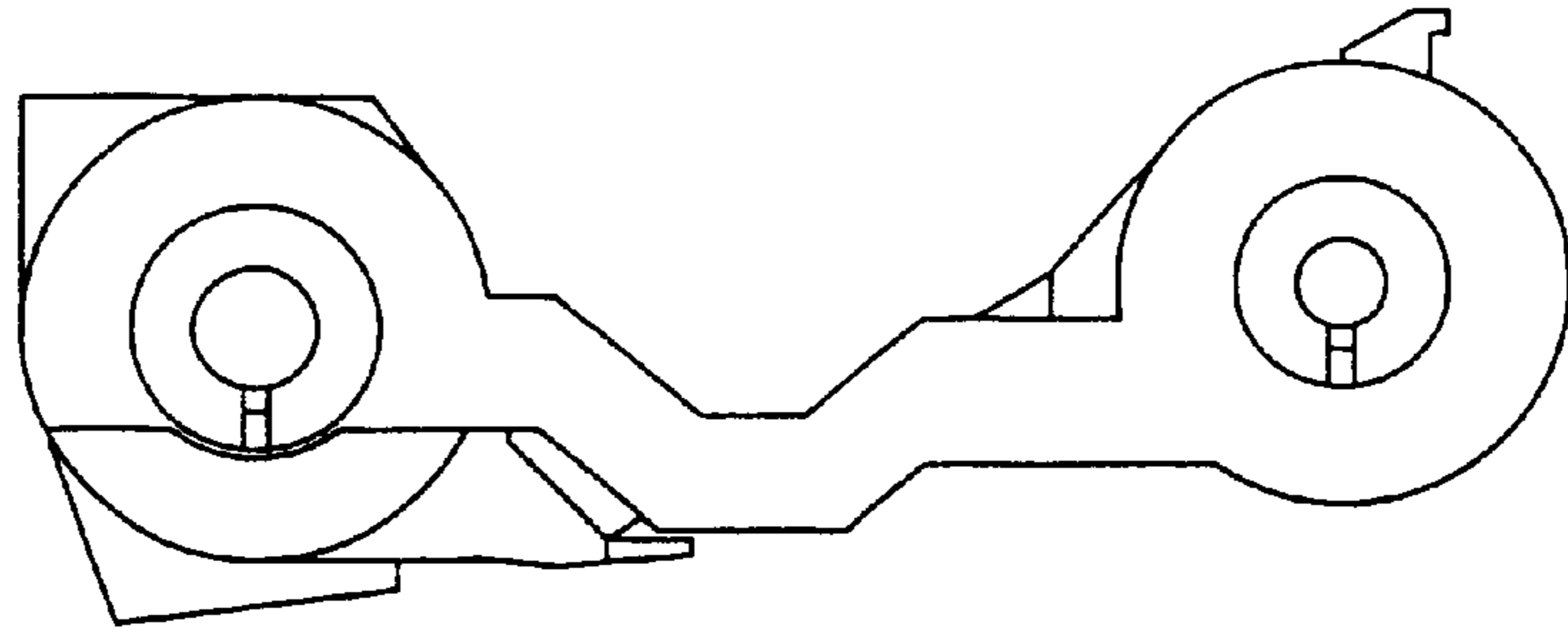


Fig. 6

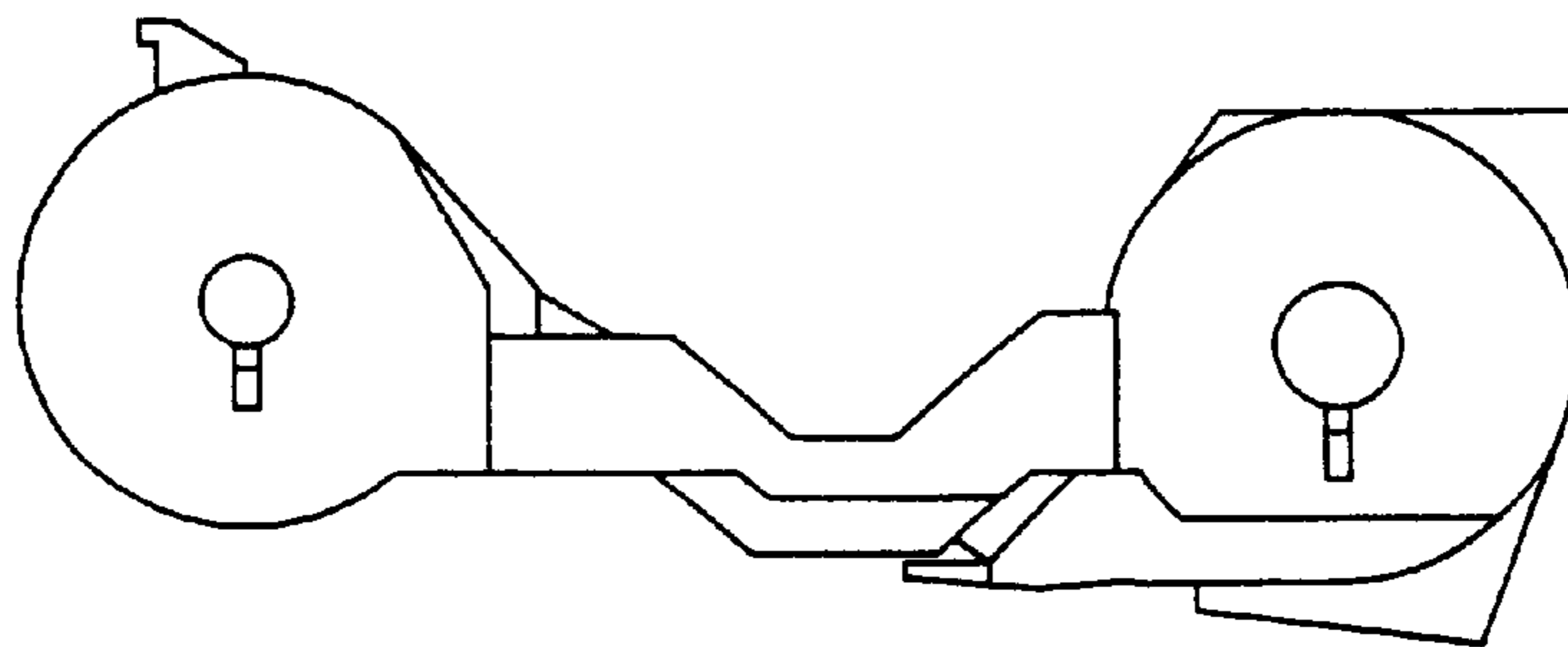


Fig. 7

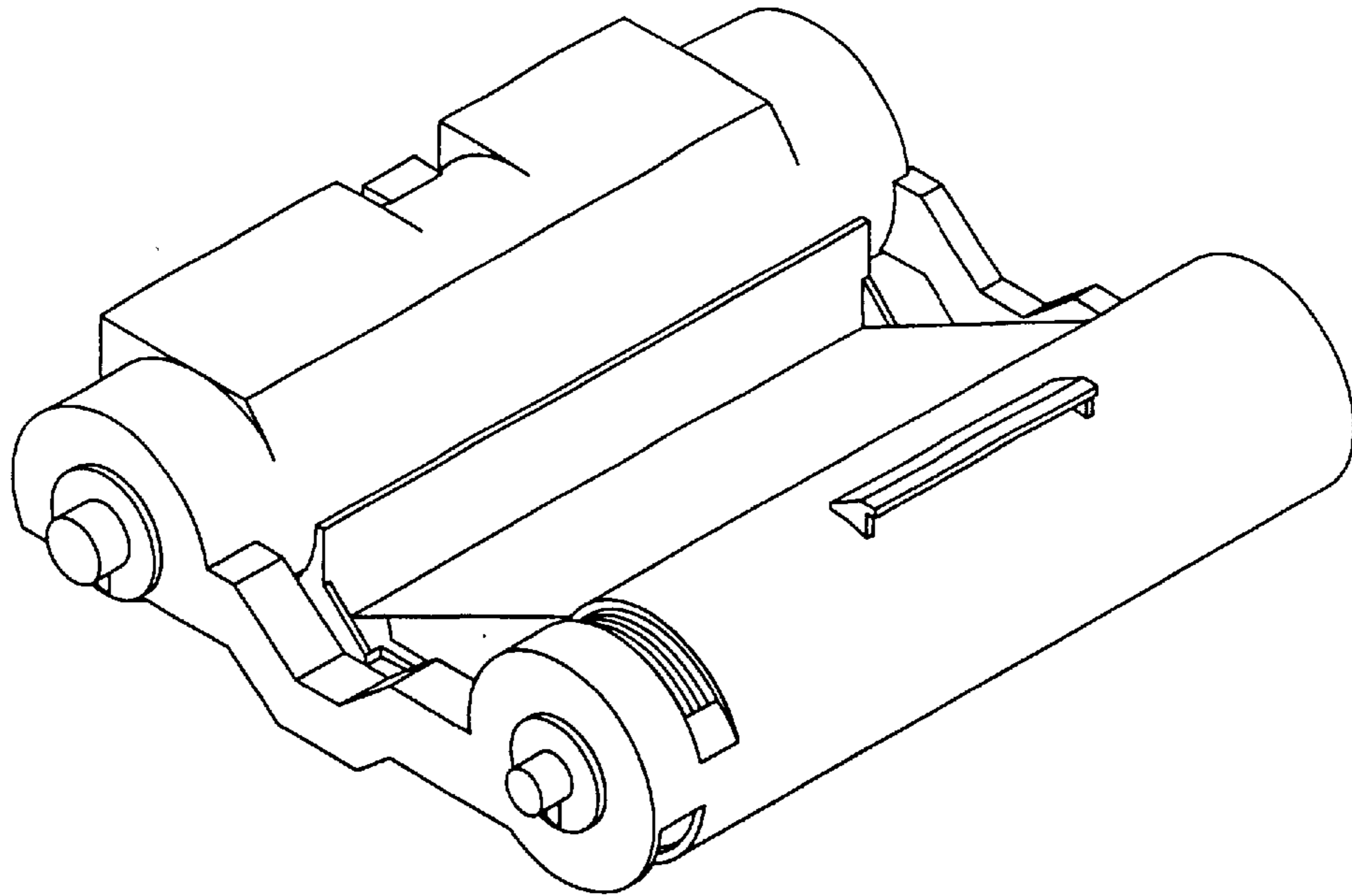


Fig. 8

