



US00D453179S

(12) **United States Design Patent**  
Neri et al.

(10) **Patent No.:** **US D453,179 S**

(45) **Date of Patent:** **\*\* Jan. 29, 2002**

(54) **PRINTER CASSETTE**

(75) Inventors: **Joel Neri**, Youngstown; **Susan Hammill**, West Seneca; **Jennifer Johnson**, Middleport; **Diane Kelly**, Cambria, all of NY (US); **John Krivda**, Ewing; **Karl Duerr**, Basking Ridge, both of NJ (US)

(73) Assignee: **IIMAK**, Amherst, NY (US)

(\*\*) Term: **14 Years**

4,733,980 A	3/1988	Tosa
4,750,008 A	6/1988	Matsuura
4,756,635 A	7/1988	Frerichs
4,758,845 A	7/1988	Tsushima et al.
4,768,410 A	9/1988	Wood
4,780,010 A	10/1988	Behrens et al.
4,789,260 A	12/1988	Kobayashi et al.
4,789,873 A	12/1988	Matsuura
4,813,796 A	3/1989	Kittel
4,820,125 A	4/1989	Keiter et al.

(List continued on next page.)

(21) Appl. No.: **29/127,041**

(22) Filed: **Jul. 27, 2000**

(51) **LOC (7) Cl.** ..... **18-01**

(52) **U.S. Cl.** ..... **D18/12**

(58) **Field of Search** ..... D18/12, 40, 56;  
D14/471, 481, 483, 484; 400/208, 234

**FOREIGN PATENT DOCUMENTS**

CA	2 108 516	7/1994
EP	0 672 531	9/1995
EP	0 672 532	9/1995
EP	0 732 440	9/1996
EP	0 852 182	7/1998
EP	0 852 184	7/1998
EP	0 852 185	7/1998
EP	0 852 183	9/1998

(56) **References Cited**

**U.S. PATENT DOCUMENTS**

3,857,525 A	12/1974	Gerber et al.
3,971,036 A	7/1976	Gerber et al.
4,160,605 A	7/1979	Neubaum
4,231,667 A	11/1980	Behrendt et al.
4,325,645 A	4/1982	Miyajima et al.
4,427,313 A	1/1984	Giolitti
4,431,324 A	2/1984	Keiter et al.
4,440,514 A	4/1984	Keiter et al.
4,531,849 A	7/1985	Dobashi
4,565,128 A	1/1986	Moriyama et al.
4,577,198 A	3/1986	Hibino et al.
4,577,200 A	3/1986	Rix et al.
4,641,150 A	2/1987	Matsuura et al.
4,644,371 A	2/1987	Matsuura et al.
4,651,162 A	3/1987	Nakamura et al.
4,653,939 A	3/1987	Hibino
4,654,673 A	3/1987	Yanata et al.
4,654,674 A	3/1987	Hibino et al.
4,708,901 A	11/1987	Wood
4,718,783 A	1/1988	Tsushima et al.
4,725,155 A	2/1988	Kittel et al.

**OTHER PUBLICATIONS**

“Owner’s Manual for IntelliFAX 1350M, 1450MC, 1550MC, MFC, 1850 MC and 1950MC” (1993).

*Primary Examiner*—Caron D. Veynar

(74) *Attorney, Agent, or Firm*—Nixon Peabody LLP

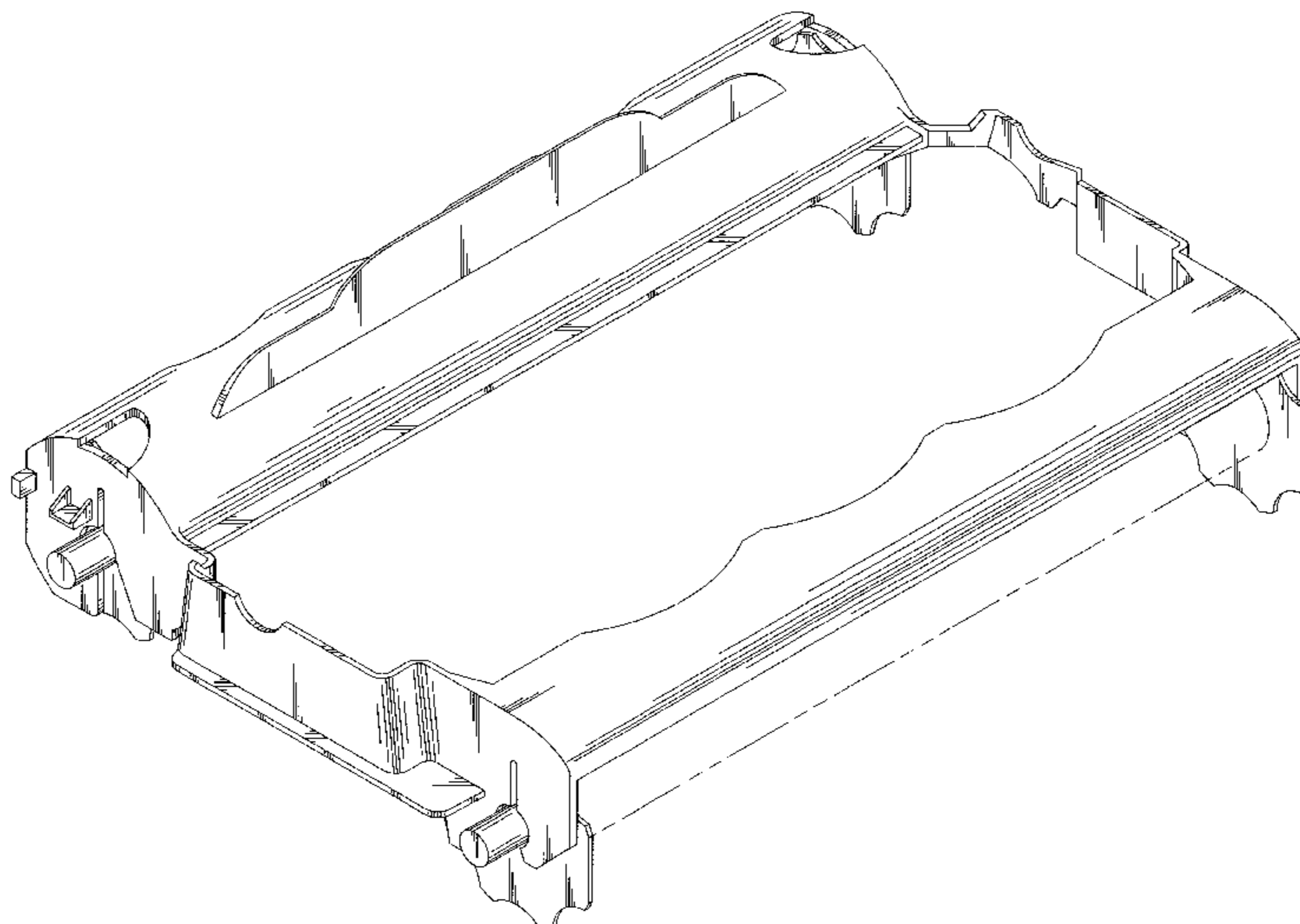
(57) **CLAIM**

The ornamental design for a printer cassette, as shown.

**DESCRIPTION**

FIG. 1 is a top view of a printer cassette of our design; FIG. 2 is a front view of the printer cassette; FIG. 3 is a right side view of the printer cassette; FIG. 4 is a left side view of the printer cassette; FIG. 5 is a bottom view of the printer cassette; FIG. 6 is a perspective view of the printer cassette; and, FIG. 7 is a back view of the printer cassette. The broken lines shown in FIGS. 2 and 5–7 are for illustrative purposes only and form no part of the claimed design.

**1 Claim, 6 Drawing Sheets**

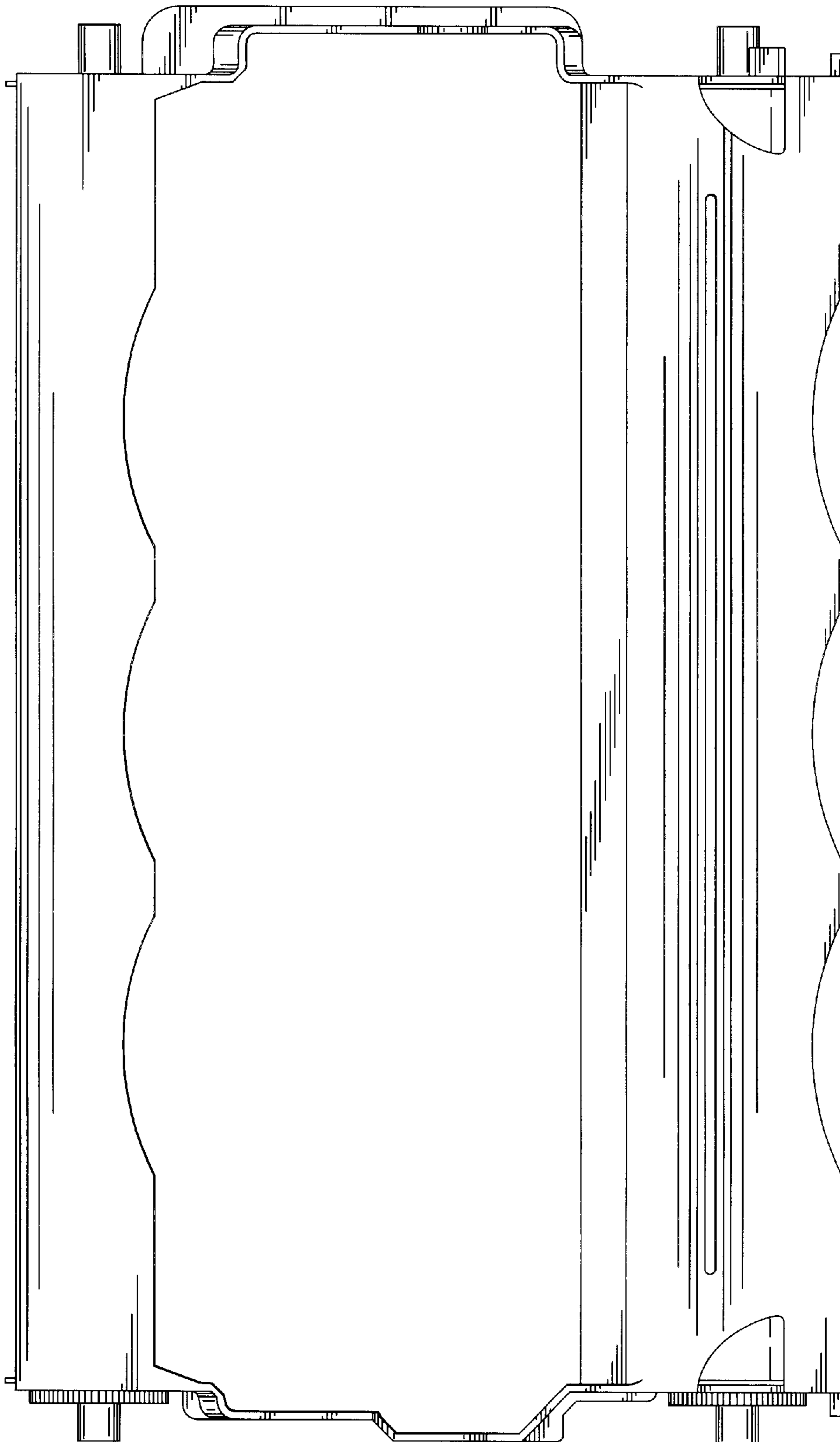


# US D453,179 S

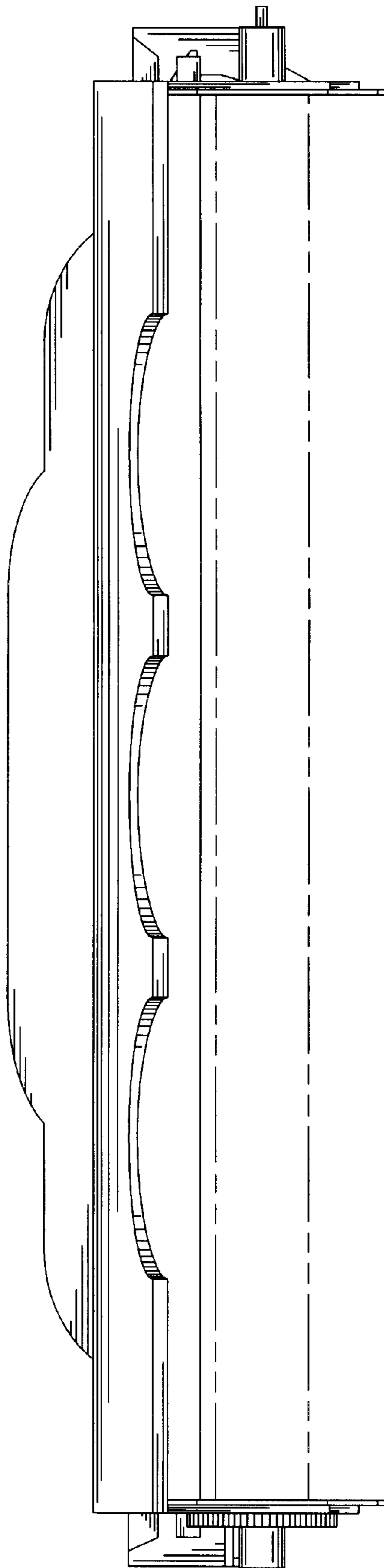
Page 2

U.S. PATENT DOCUMENTS					
4,834,276 A	5/1989	Logan	D356,819 S	*	3/1995 Stempien ..... D18/56
4,842,427 A	6/1989	Kloppenburger	5,399,035 A		3/1995 Nakae
4,854,755 A	8/1989	Lange et al.	D358,165 S		5/1995 Ehara
4,856,921 A	8/1989	Hatakeyama	5,418,552 A		5/1995 Maruyama
4,859,097 A	8/1989	Frerichs	5,419,643 A		5/1995 Matsuura
4,861,177 A	8/1989	Heins et al.	5,421,261 A		6/1995 Stempien
4,867,363 A	9/1989	Wood et al.	5,429,443 A		7/1995 Kobayashi et al.
4,884,907 A	12/1989	Yasumi	5,430,904 A		7/1995 Ono et al.
4,895,287 A	1/1990	Wood et al.	5,443,680 A		8/1995 Gerber
4,910,871 A	3/1990	Logan	5,451,996 A		9/1995 Awai et al.
4,913,572 A	4/1990	Behrens et al.	D364,644 S		11/1995 Watanabe et al.
4,917,513 A	4/1990	Takanashi et al.	5,466,076 A		11/1995 Kobayashi et al.
4,924,242 A	5/1990	Fukawa	5,466,501 A		11/1995 Logan et al.
4,978,240 A	12/1990	Katsuno	5,476,330 A		12/1995 Inoue et al.
4,989,316 A	2/1991	Logan et al.	D366,281 S		1/1996 Sakanishi et al.
4,990,007 A	2/1991	Schmidt et al.	5,480,242 A		1/1996 Gunderson
5,007,752 A	4/1991	Yasumi et al.	5,494,362 A		2/1996 Kobayashi et al.
5,026,584 A	6/1991	Logan	5,495,803 A		3/1996 Gerber et al.
5,030,967 A	7/1991	Inoue et al.	5,499,877 A		3/1996 Sakanishi et al.
5,064,301 A	11/1991	Nakamura et al.	5,500,669 A		3/1996 Yamashita et al.
5,100,250 A	3/1992	Suzuki et al.	5,510,821 A		4/1996 Jones et al.
5,110,228 A	5/1992	Yokomizo	5,513,919 A		5/1996 Hevenor
D327,495 S	* 6/1992	Nagai ..... D18/56	5,516,219 A		5/1996 Leonard et al.
D328,092 S	7/1992	Inoue et al.	5,521,480 A		5/1996 Yeo
5,143,576 A	9/1992	Logan	5,537,135 A		7/1996 Hevenor et al.
5,156,089 A	10/1992	McCue et al.	5,538,351 A		7/1996 Miyano
D331,771 S	* 12/1992	Yoshihara ..... D18/12	5,539,533 A		7/1996 Kato
5,189,951 A	3/1993	Webster et al.	5,551,786 A		9/1996 Webster et al.
5,213,656 A	5/1993	Lis et al.	5,555,009 A		9/1996 Hevenor et al.
5,236,267 A	8/1993	Masumura et al.	5,567,065 A		10/1996 Cai et al.
5,247,315 A	9/1993	Phelan et al.	D383,743 S	* 9/1997	Suwa et al. .... D18/56
D342,276 S	12/1993	Tsushima	5,775,821 A		7/1998 Kato
5,277,736 A	1/1994	Logan	D397,142 S	* 8/1998	Hammill et al. .... D18/12 X
5,288,358 A	2/1994	Logan	5,807,001 A		9/1998 Hammill et al.
5,304,410 A	4/1994	Webster	5,897,256 A		4/1999 Kameyama
5,309,365 A	5/1994	Sullivan et al.	5,913,621 A		6/1999 Kameyama et al.
5,315,690 A	5/1994	Gordon et al.	5,961,229 A		10/1999 Kameyama
5,344,680 A	9/1994	Logan et al.	5,984,546 A		11/1999 Kameyama
5,376,951 A	12/1994	Inoue et al.	D420,696 S	* 2/2000	Yung et al. .... D18/12
5,376,953 A	12/1994	Voelker	D425,545 S	* 5/2000	Ishida ..... D18/12
D355,436 S	* 2/1995	Suwa ..... D18/12			

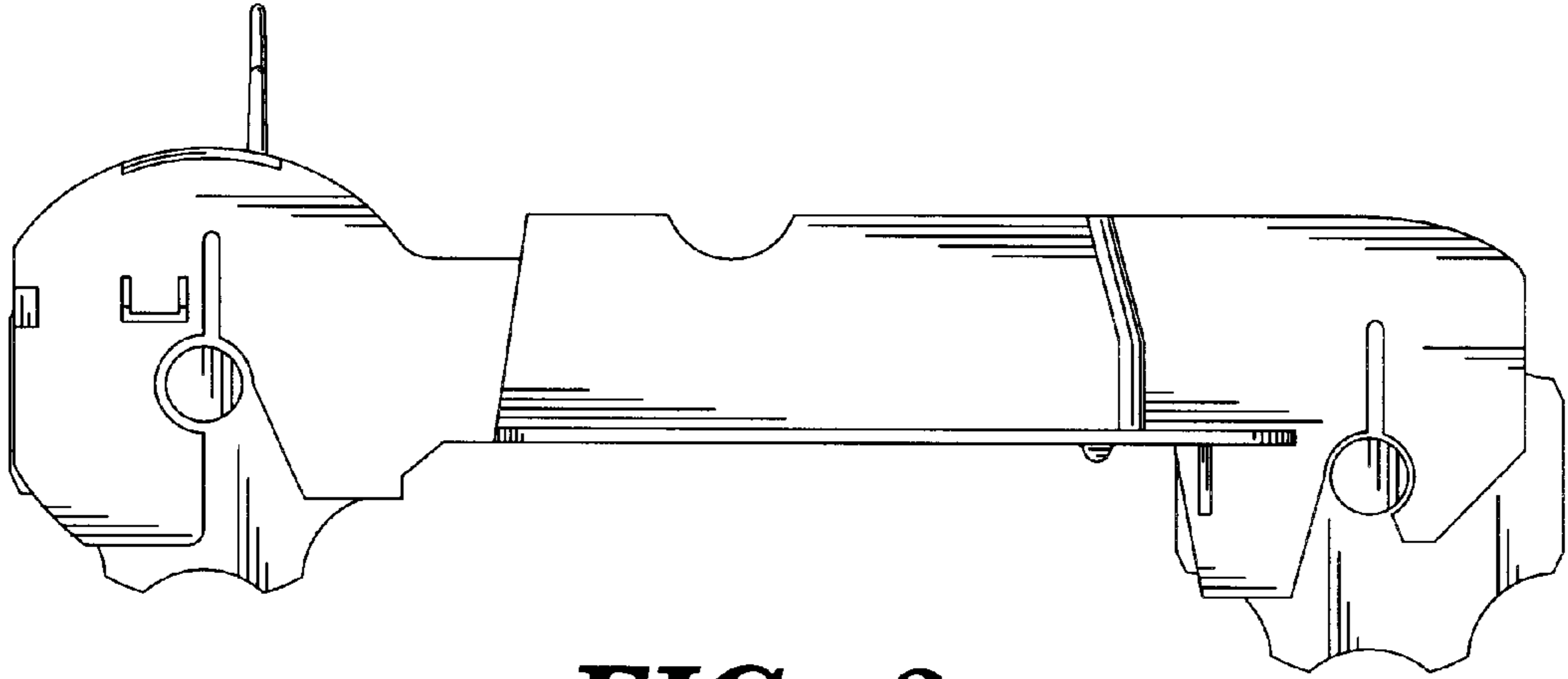
\* cited by examiner



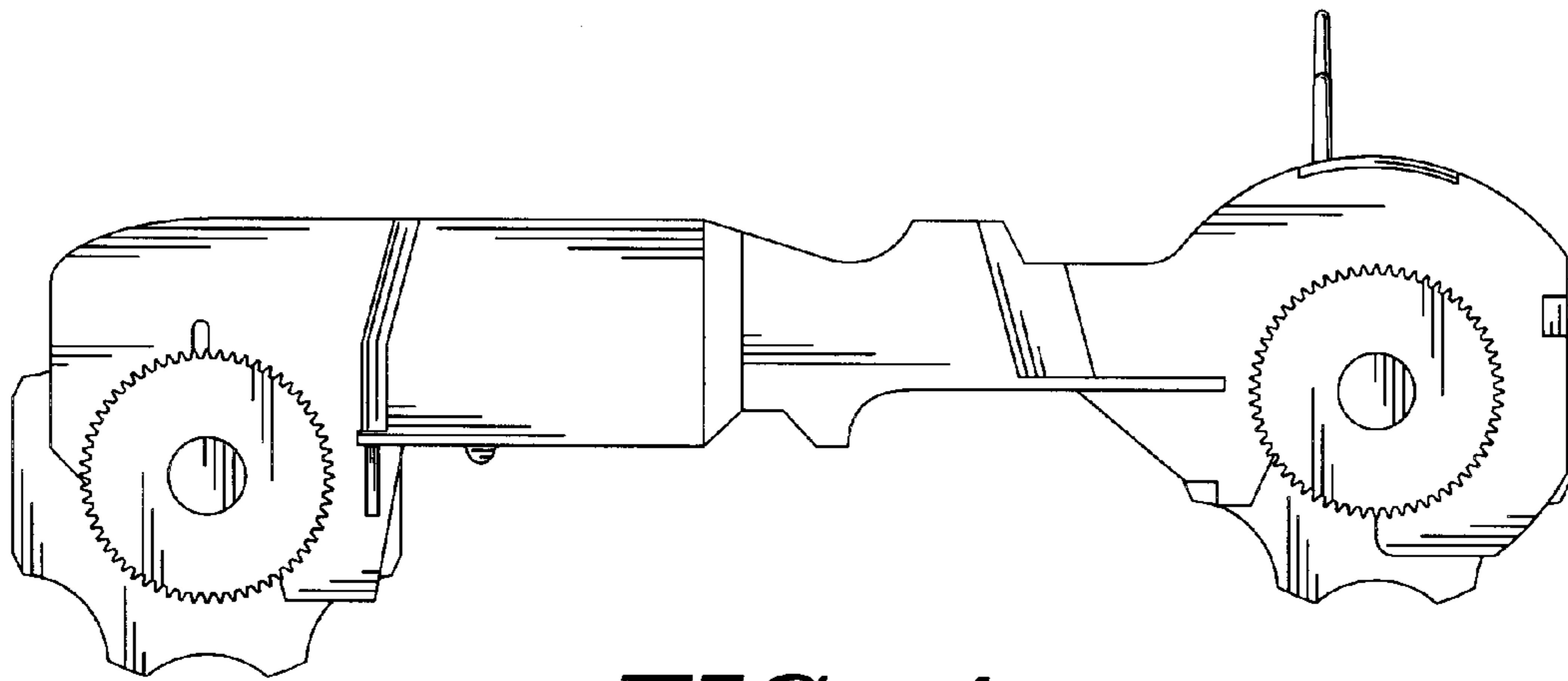
**FIG. 1**



**FIG. 2**



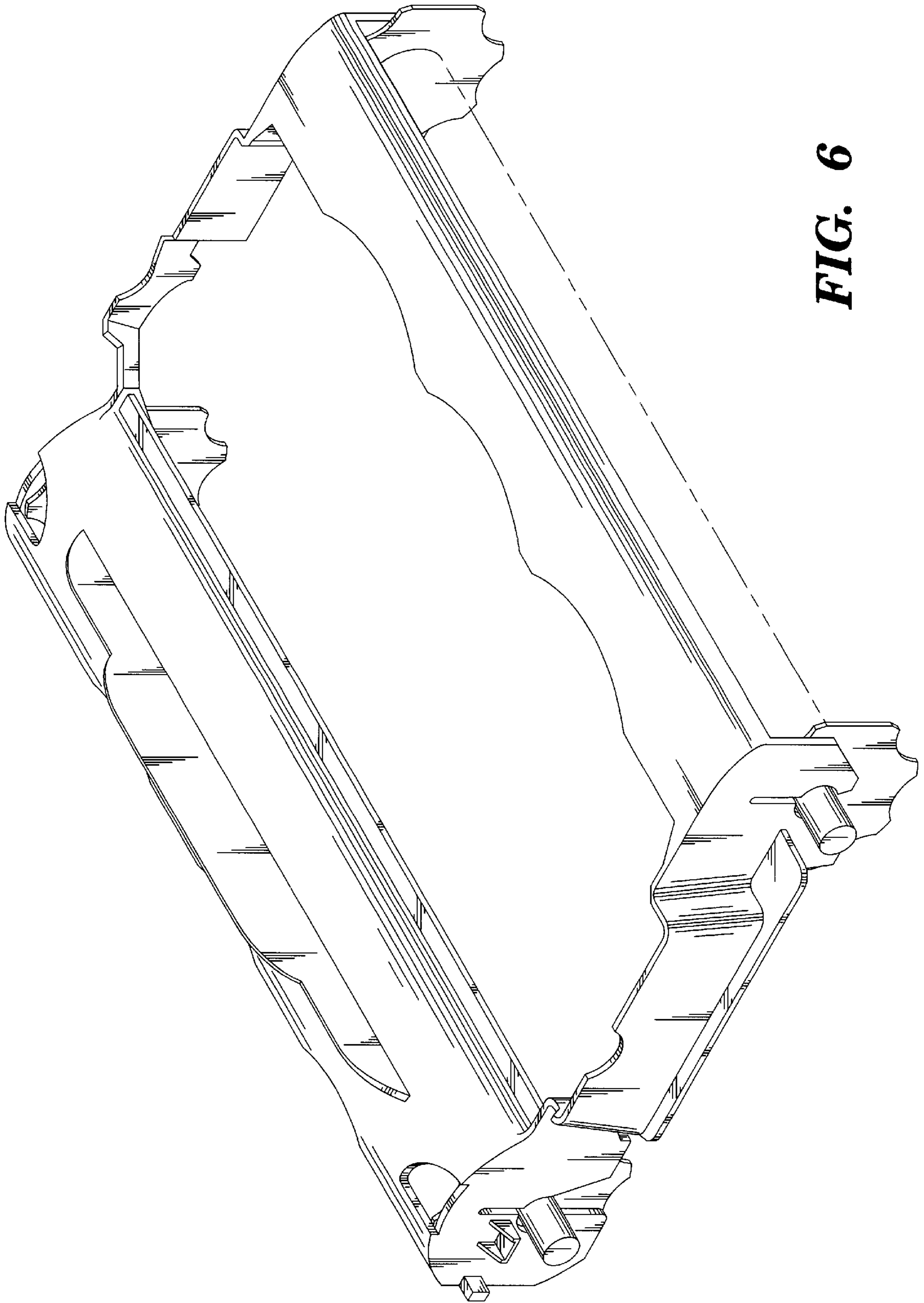
**FIG. 3**



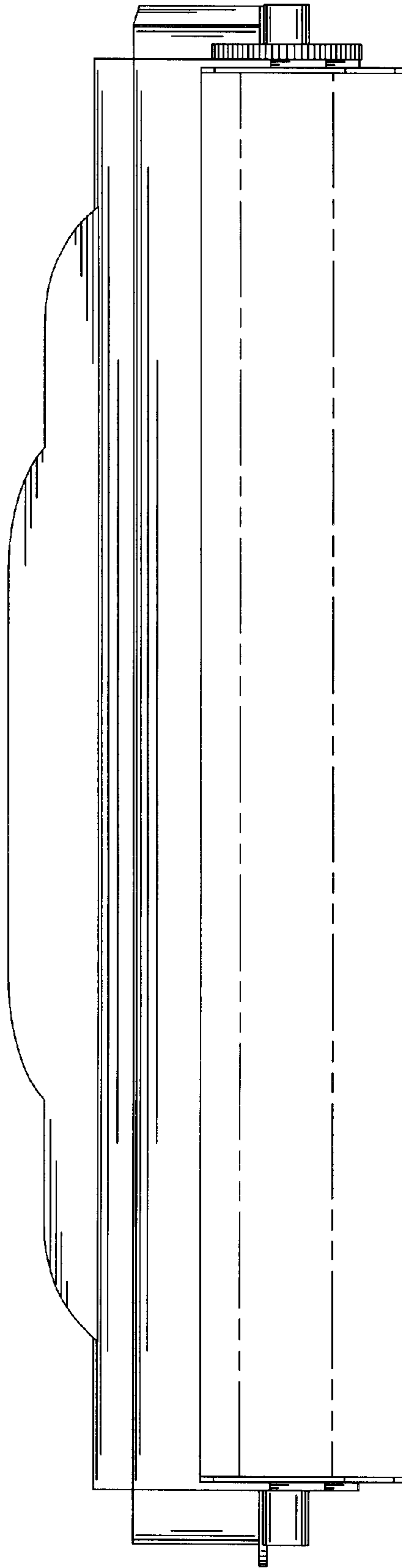
**FIG. 4**



**FIG. 5**



**FIG. 6**



**FIG. 7**