



US00D453177S

(12) **United States Design Patent**  
**Uehara**

(10) **Patent No.:** **US D453,177 S**

(45) **Date of Patent:** **\*\* Jan. 29, 2002**

(54) **WATERPROOF HOUSING FOR VIDEO CAMERA**

D445,438 S \* 7/2001 Kubota ..... D16/202

**OTHER PUBLICATIONS**

(75) Inventor: **Mitsuhiro Uehara**, Tokyo (JP)

Home page Digital Camera,(PT-007, PT-005 & PT-006), 8 sheets, Olympus , Feb. 16, 2000.

(73) Assignee: **Sony Corporation**, Tokyo (JP)

\* cited by examiner

(\*\*) Term: **14 Years**

*Primary Examiner*—Adir Aronovich

(21) Appl. No.: **29/140,988**

(74) *Attorney, Agent, or Firm*—Rader, Fishman & Grauer, PLLC

(22) Filed: **Apr. 30, 2001**

(57) **CLAIM**

(51) **LOC (7) Cl.** ..... **16-01**

The ornamental design for a waterproof housing for video camera, as shown and described.

(52) **U.S. Cl.** ..... **D16/204**; D16/202

(58) **Field of Search** ..... D3/267; D16/200-206,  
D16/208, 209, 217, 218; 206/316.1, 316.2;  
396/25-29, 535-541

**DESCRIPTION**

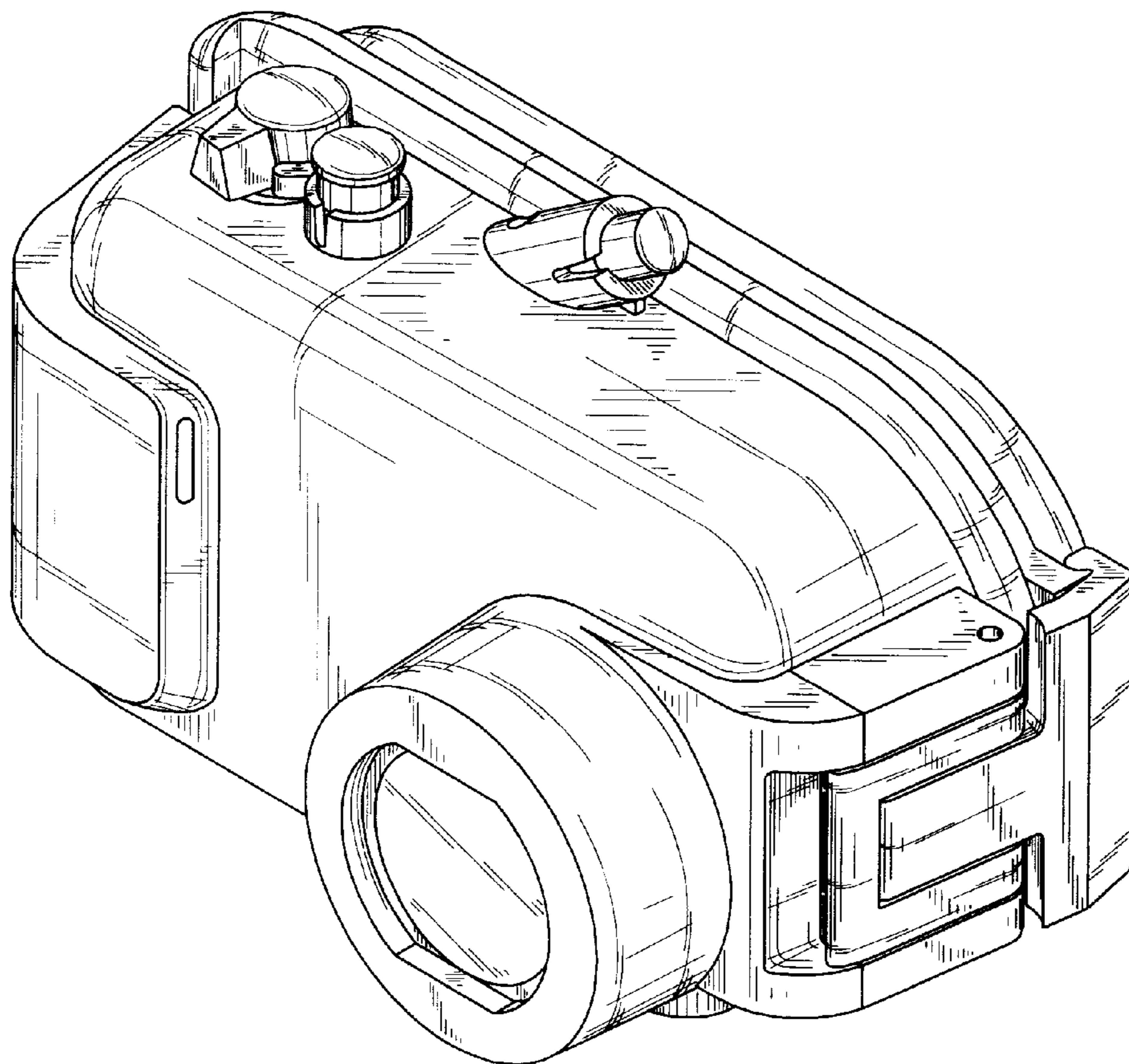
(56) **References Cited**

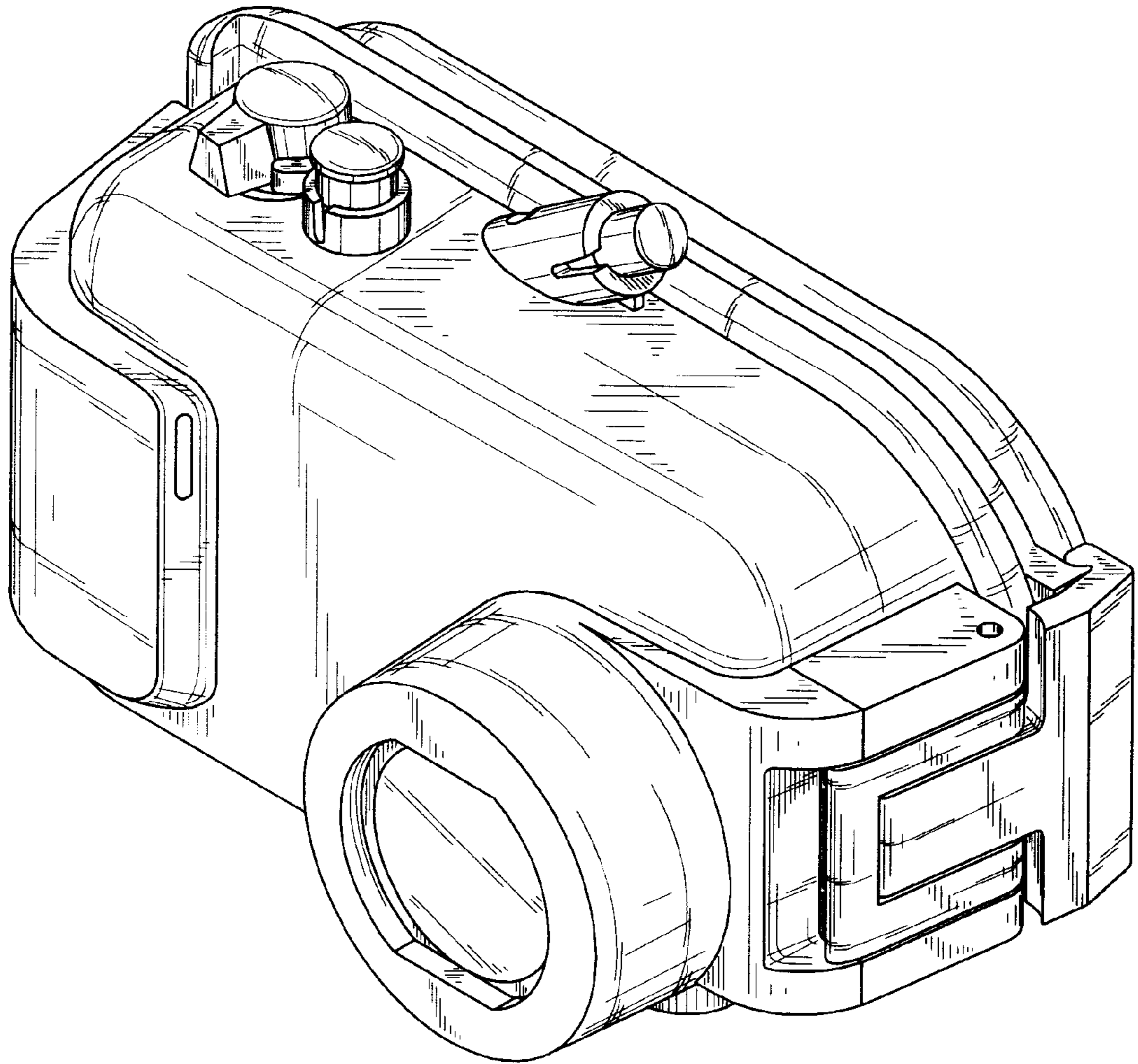
**U.S. PATENT DOCUMENTS**

4,980,707 A	*	12/1990	Gell, Jr. ....	396/26
D418,851 S	*	1/2000	Goto et al. ....	D16/202
D419,296 S	*	1/2000	Shinano ....	D3/267
D424,085 S	*	5/2000	Naito ....	D16/202
D438,222 S	*	2/2001	Funato ....	D16/202
D438,880 S	*	3/2001	Katayama ....	D16/204

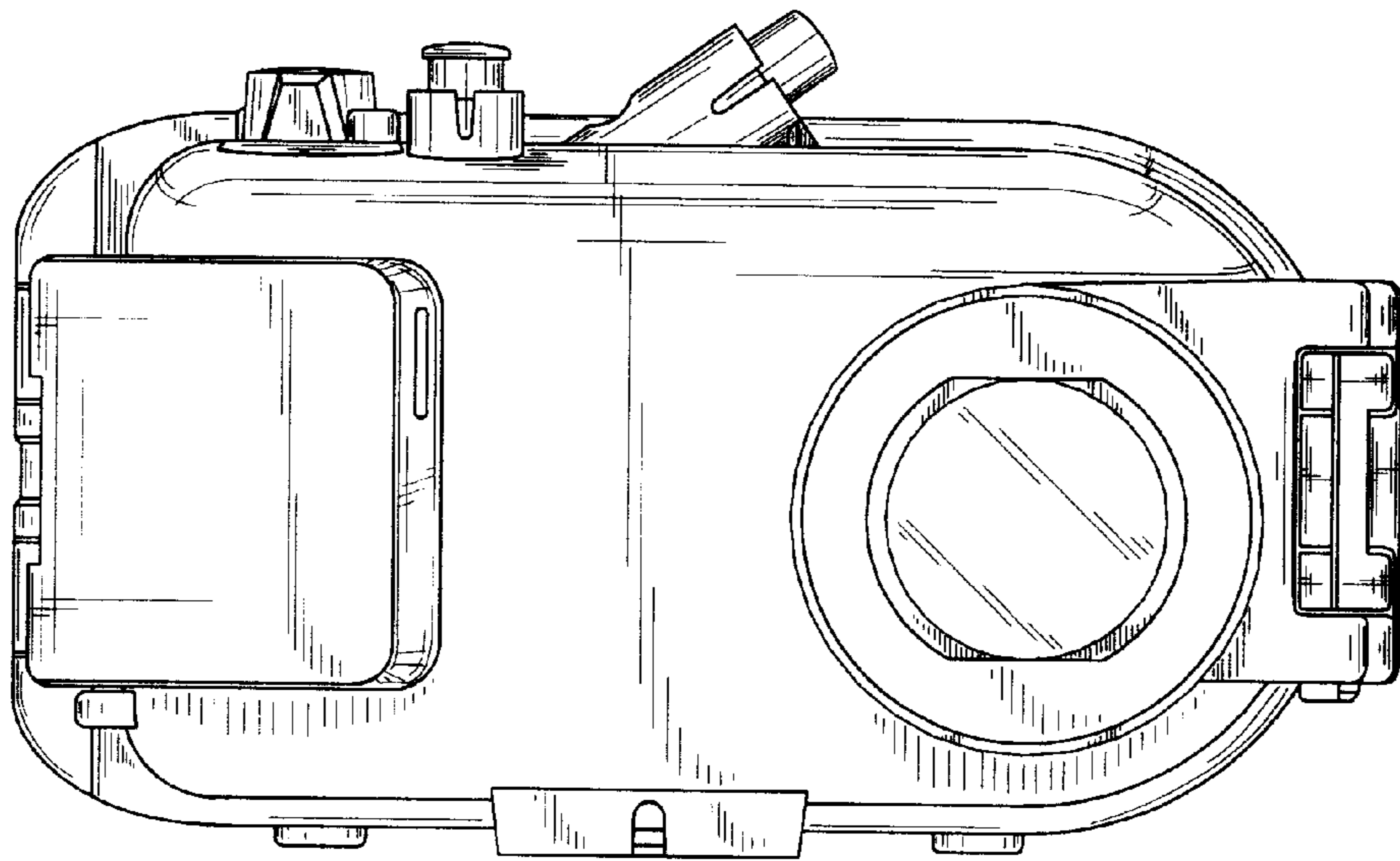
FIG. 1 is a perspective view of a waterproof housing for video camera showing my new design;  
FIG. 2 is a front elevational view thereof;  
FIG. 3 is a rear elevational view thereof;  
FIG. 4 is a left side elevational view thereof;  
FIG. 5 is a right side elevational view thereof;  
FIG. 6 is a top plan view thereof; and,  
FIG. 7 is a bottom plan view thereof.

**1 Claim, 4 Drawing Sheets**

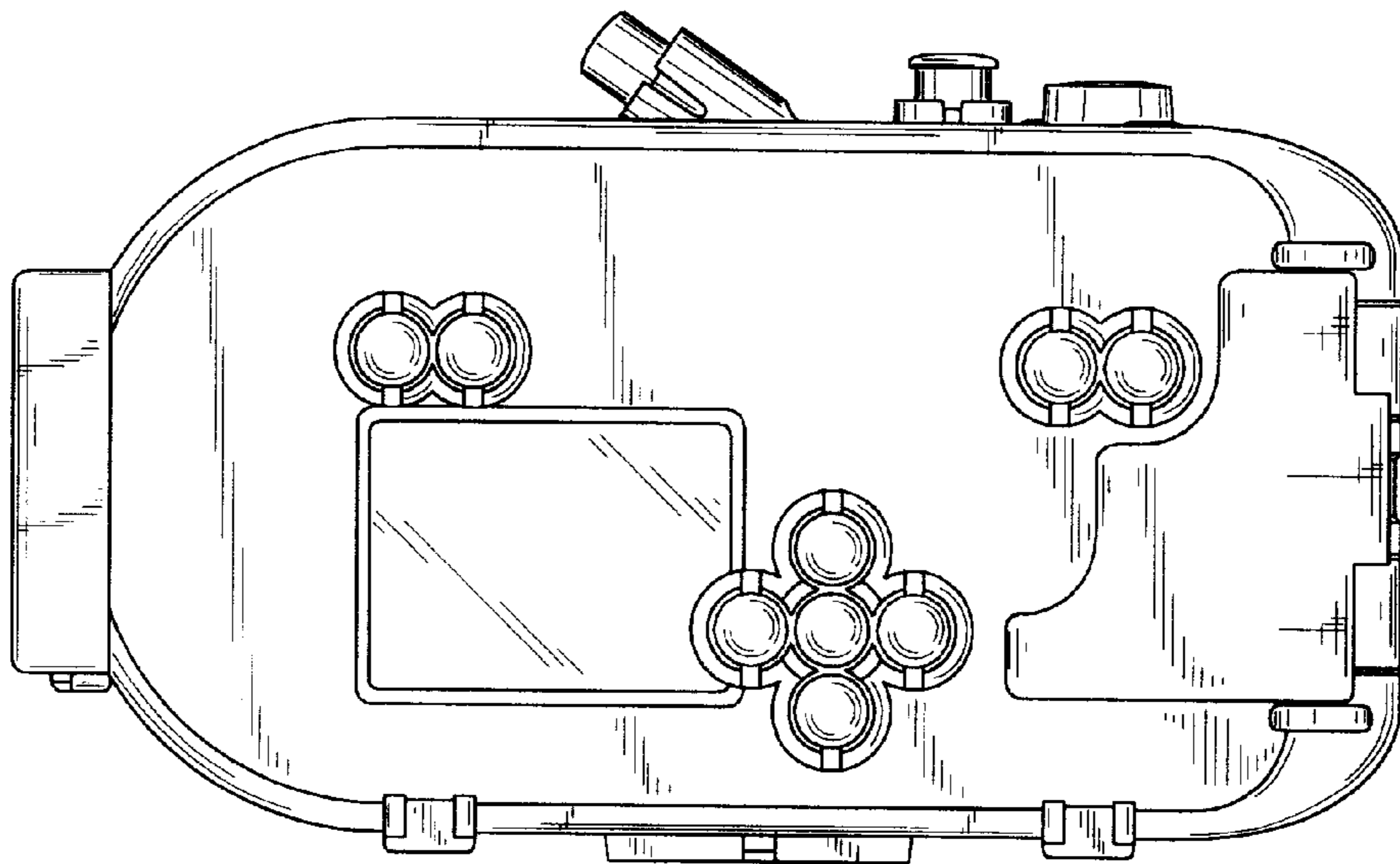




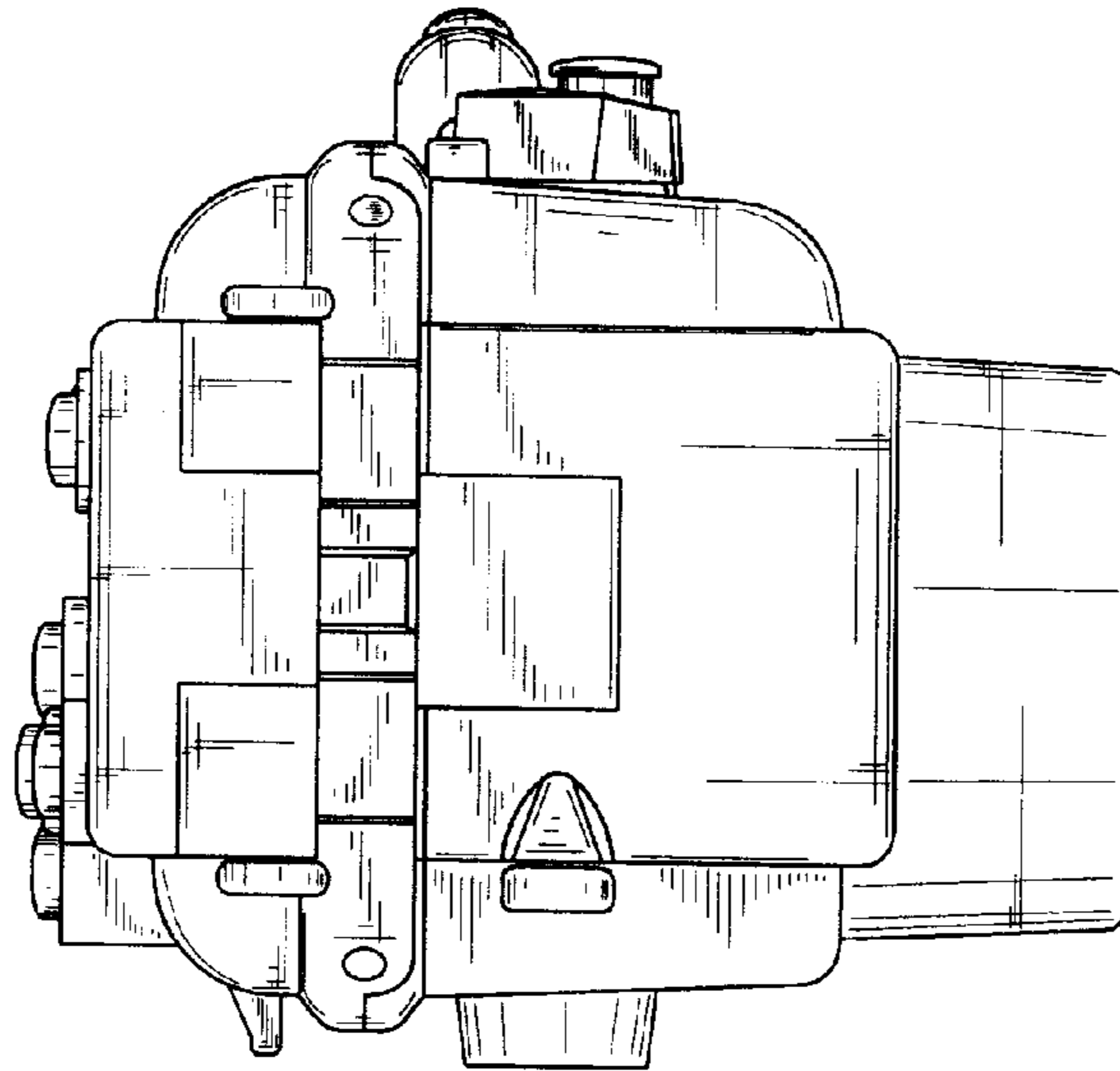
**Fig. 1**



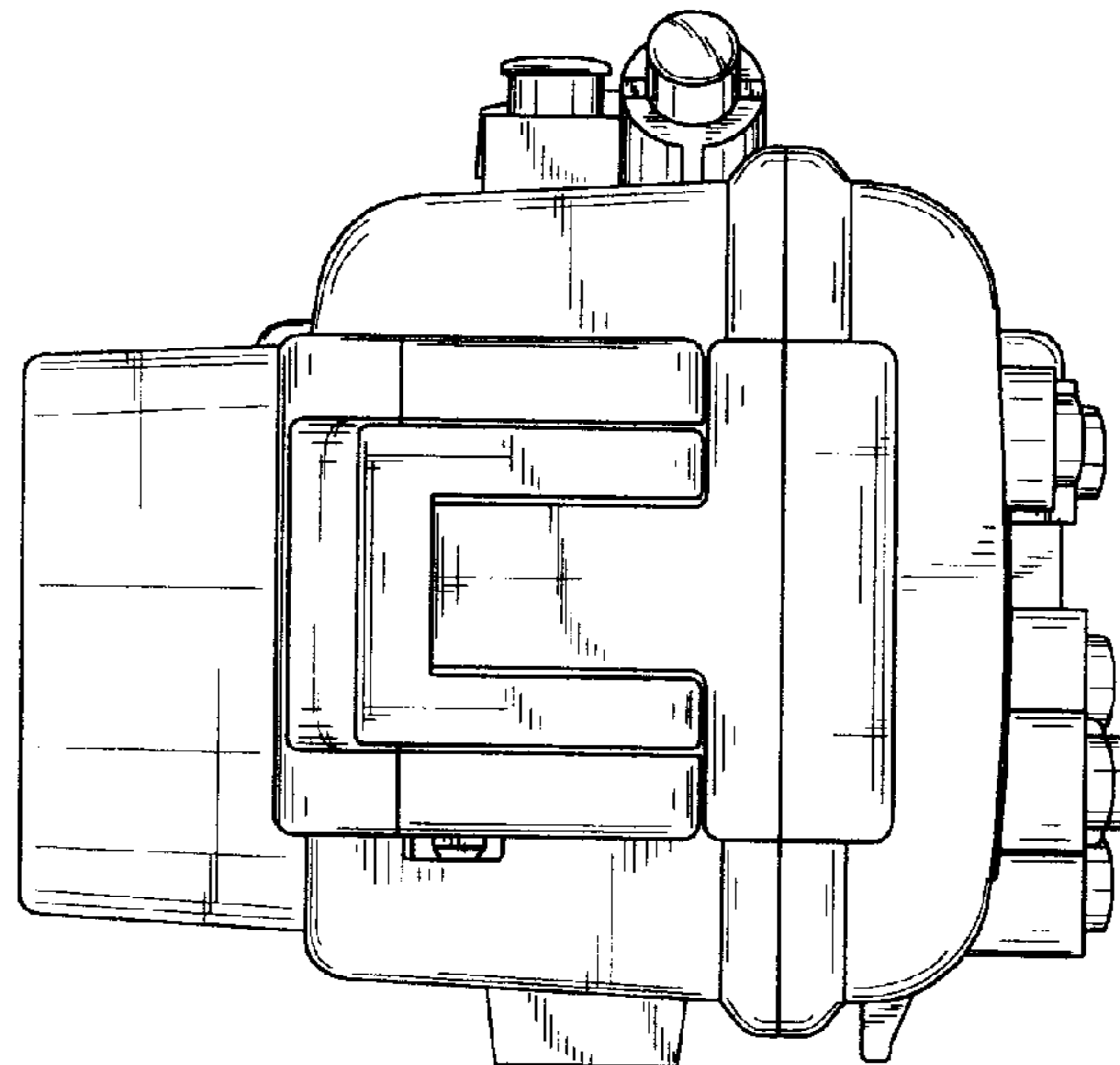
**Fig. 2**



**Fig. 3**

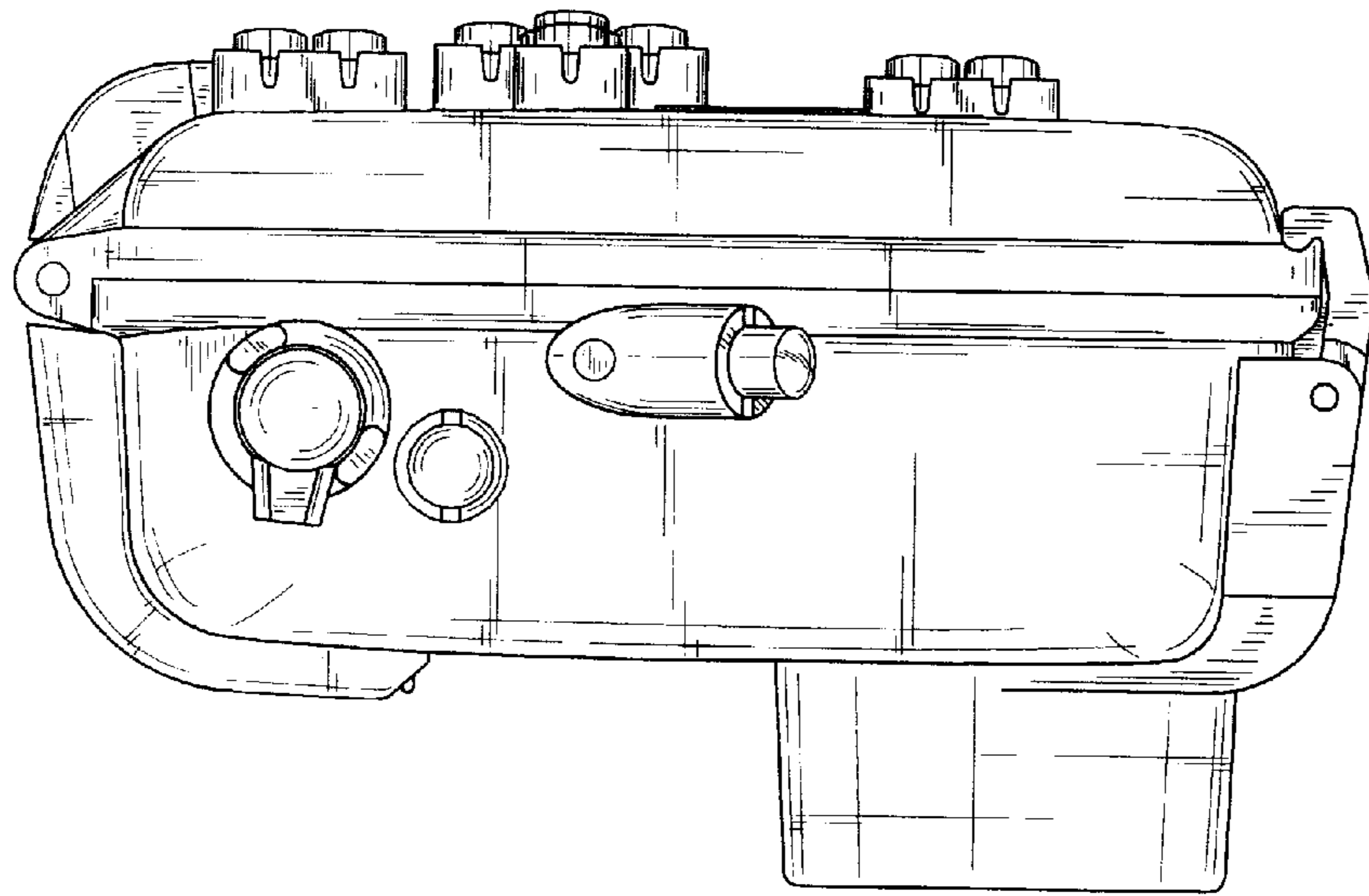


**Fig. 4**

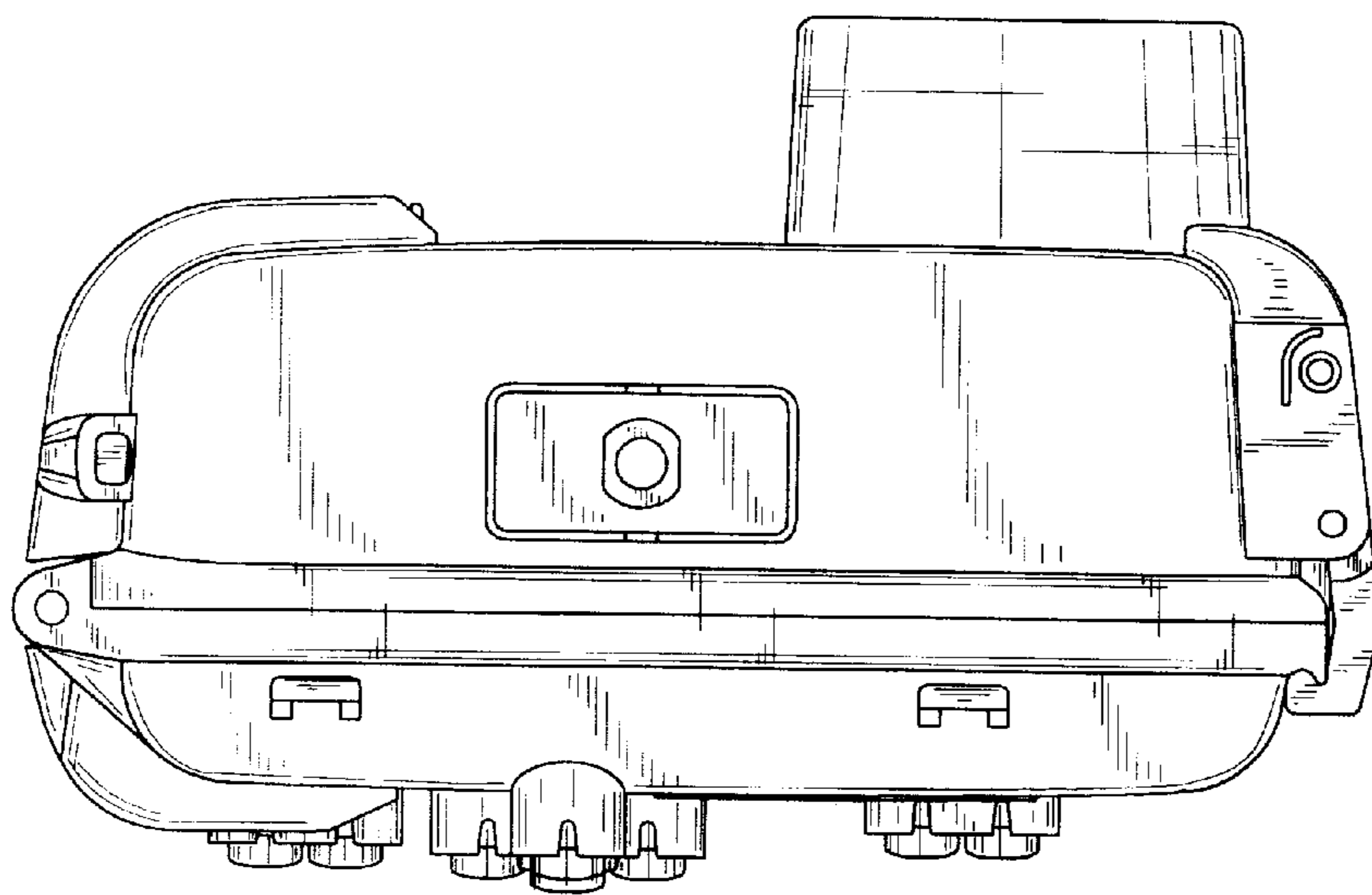


**Fig. 5**





**Fig. 6**



**Fig. 7**