



US00D453175S

(12) **United States Design Patent**  
**Liang**

(10) **Patent No.:** **US D453,175 S**

(45) **Date of Patent:** **\*\* Jan. 29, 2002**

(54) **MONEY CHECKER**

D394,667 S \* 5/1998 Romano ..... D16/135  
5,943,173 A \* 8/1999 Waterhouse ..... 359/802

(75) Inventor: **Louis H. Liang**, Los Altos, CA (US)

\* cited by examiner

(73) Assignee: **Angstrom Technologies, Inc.**, Erlanger, KY (US)

*Primary Examiner*—Paula A. Mortimer

(74) *Attorney, Agent, or Firm*—Theodore R. Touw

(\*\*) Term: **14 Years**

(57) **CLAIM**

(21) Appl. No.: **29/143,230**

The ornamental design for a money checker, as shown and described.

(22) Filed: **Jun. 7, 2001**

**DESCRIPTION**

(51) **LOC (7) Cl.** ..... **16-06**

(52) **U.S. Cl.** ..... **D16/135; D18/12.1**

(58) **Field of Search** ..... D18/3.1, 3.2, 3.3,  
D18/12.1, 12.2, 12.3; D10/97; D16/130,  
131, 135; 359/368, 642, 803, 819, 798;  
235/379; 382/135; 453/3, 10

FIG. 1 is a perspective view of a money checker showing the design;

FIG. 2 is a top plan view thereof;

FIG. 3 is a front elevational view thereof;

FIG. 4 is a left side elevational view thereof;

FIG. 5 is a right side elevational view thereof;

FIG. 6 is a rear elevational view thereof; and,

FIG. 7 is a bottom plan view thereof.

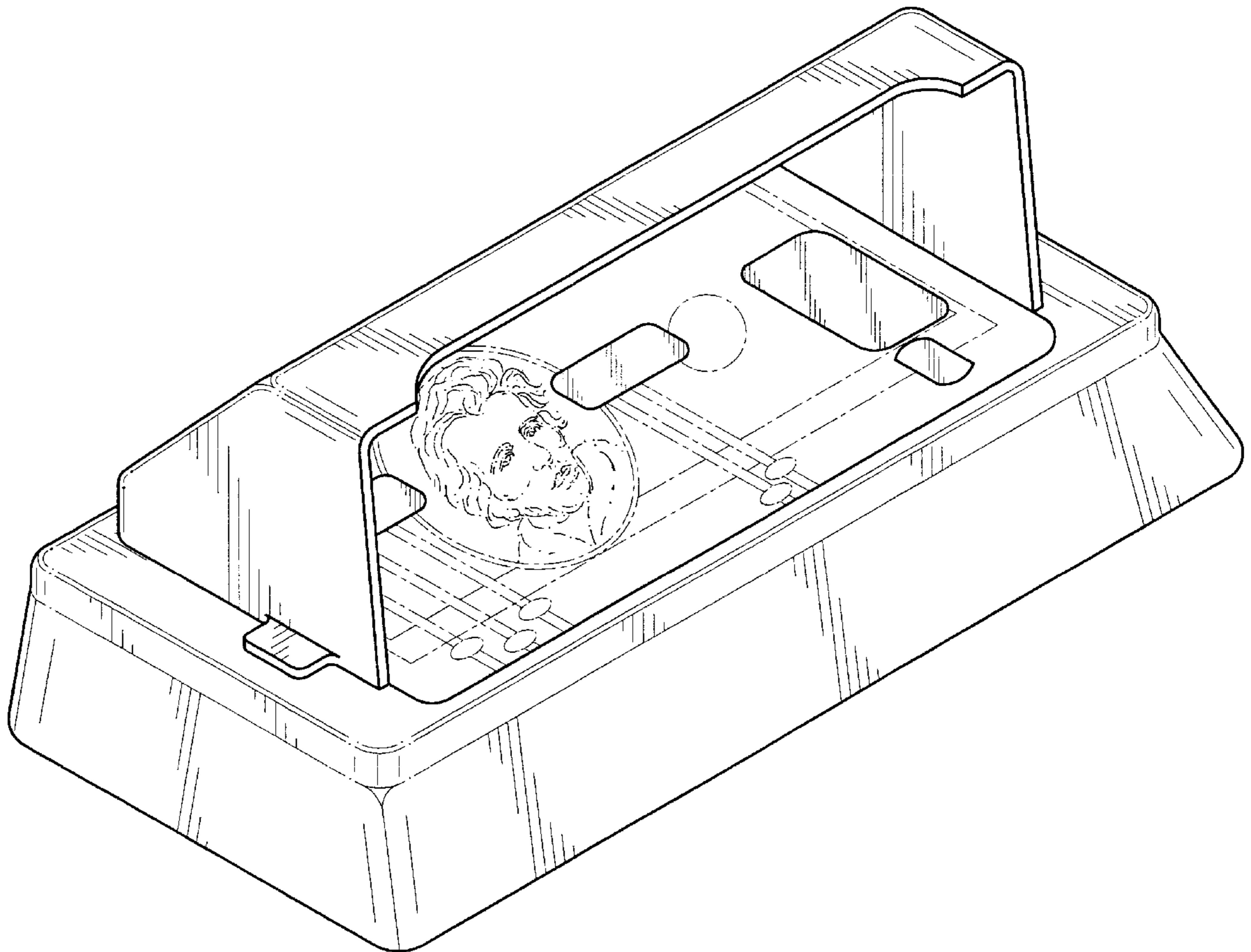
The broken line showing on FIGS. 1 and 2 is for illustrative purposes only and forms no part of the claimed design.

(56) **References Cited**

**U.S. PATENT DOCUMENTS**

2,150,916 A \* 3/1939 Forgea ..... 359/802  
D168,546 S \* 1/1953 Iglar et al. .... D16/135  
D298,634 S \* 11/1988 Yuen ..... D16/135

**1 Claim, 4 Drawing Sheets**



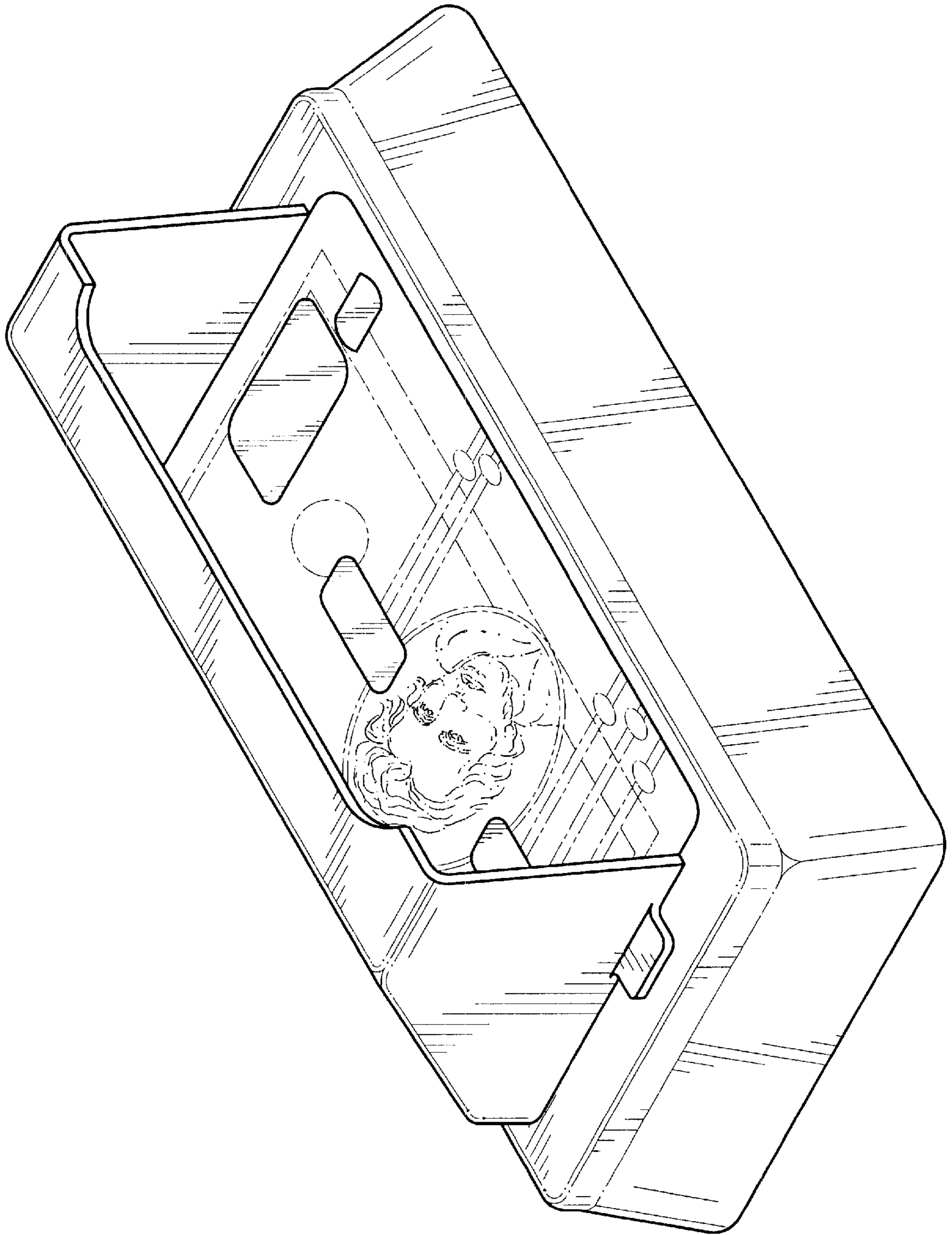
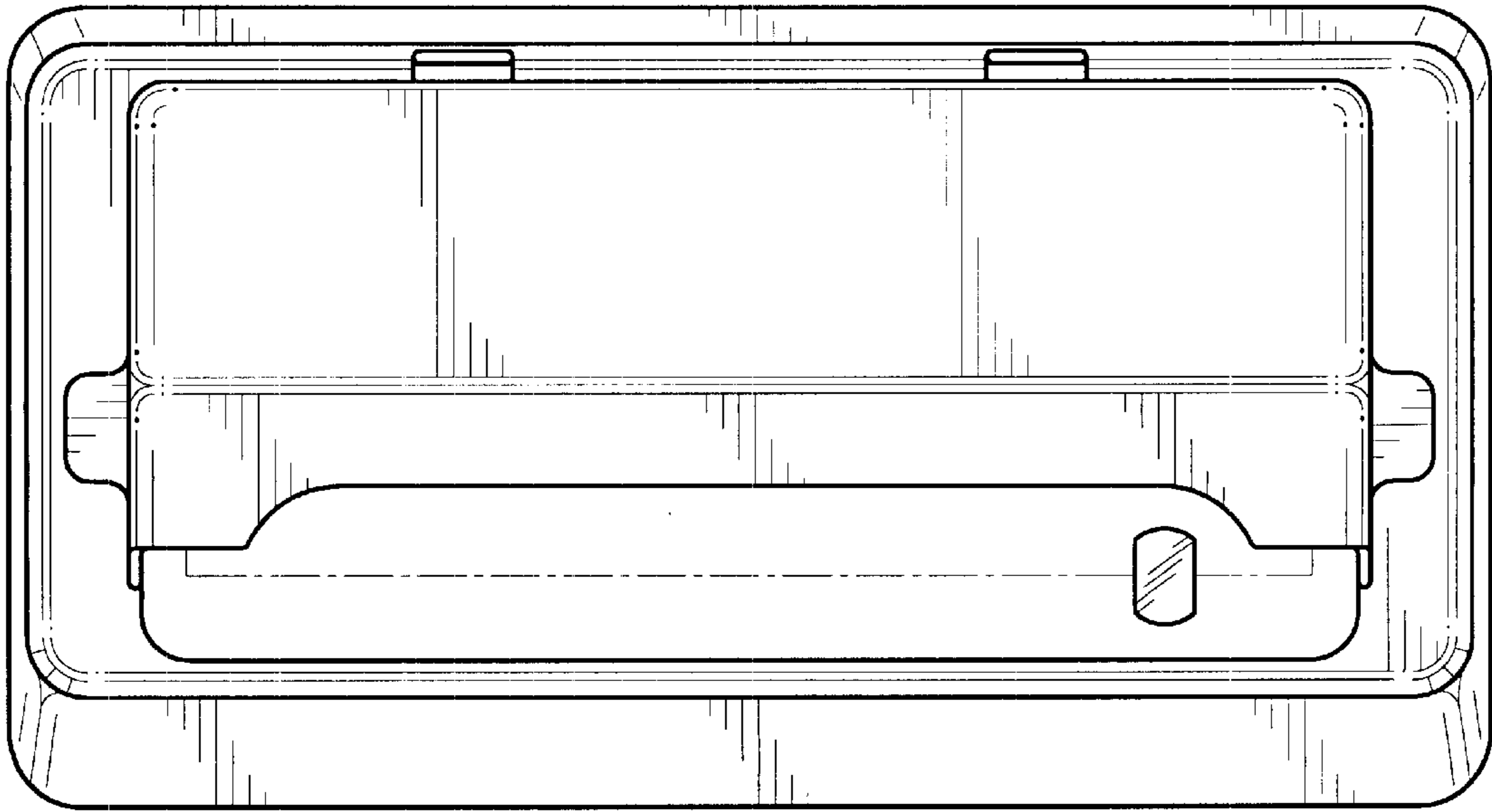


FIG. 1

*FIG. 2*



*FIG. 3*

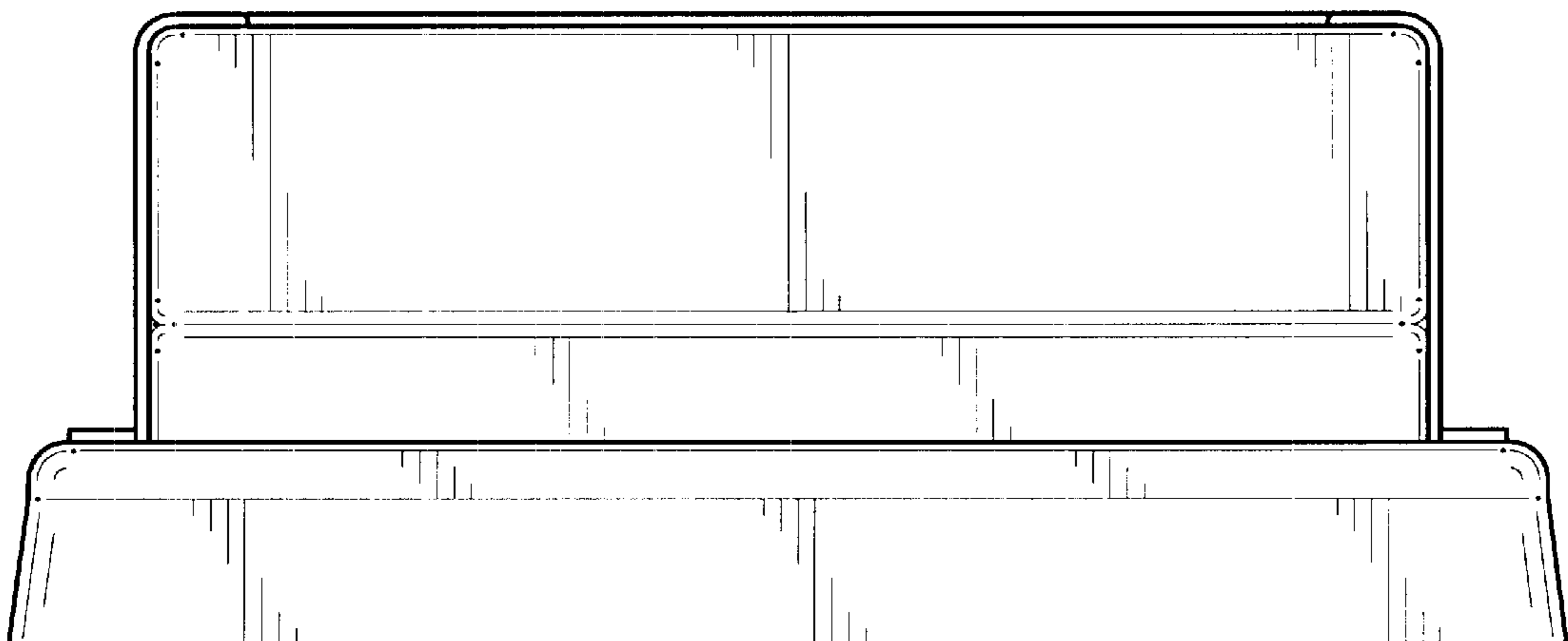


FIG. 5

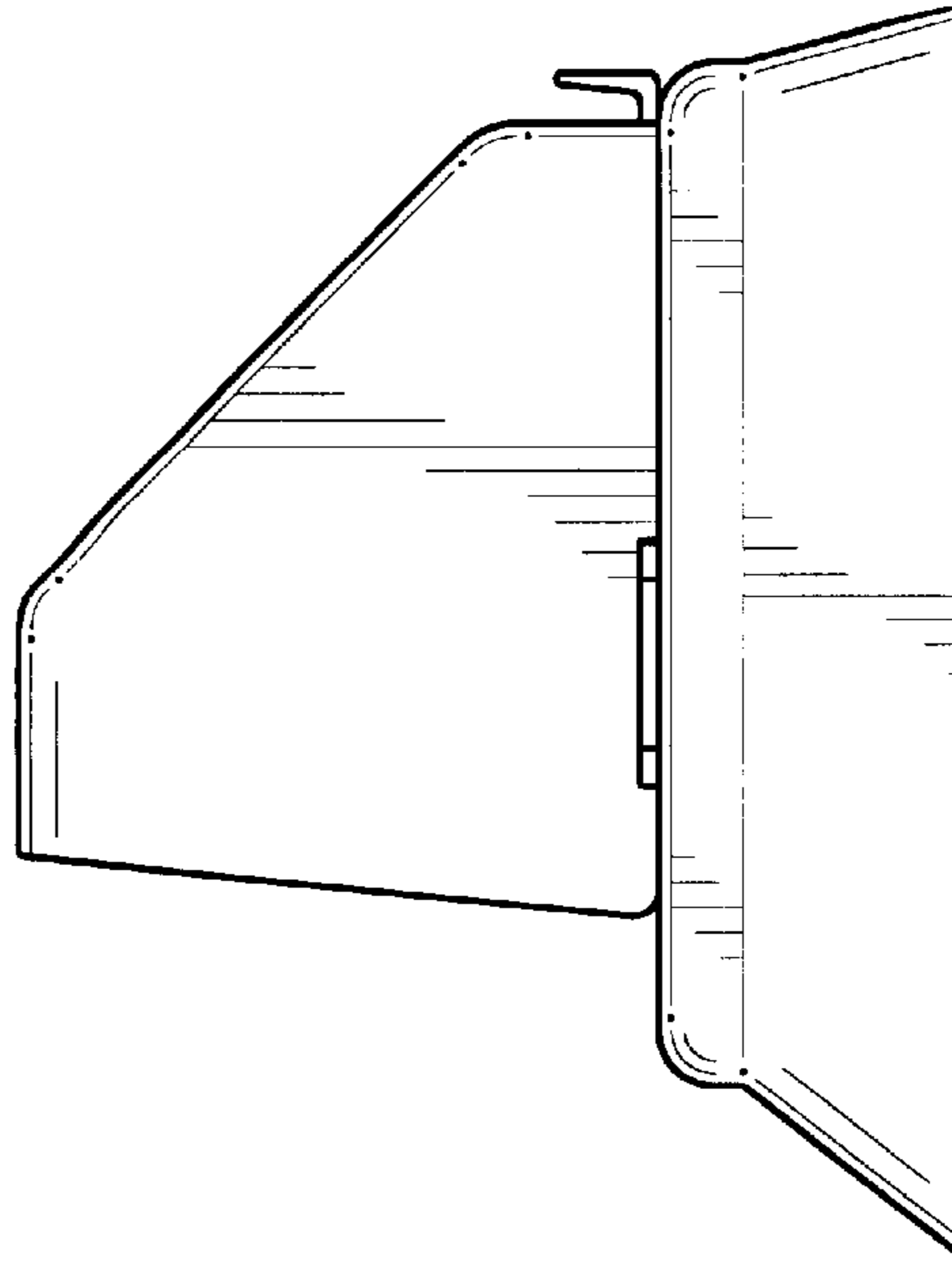
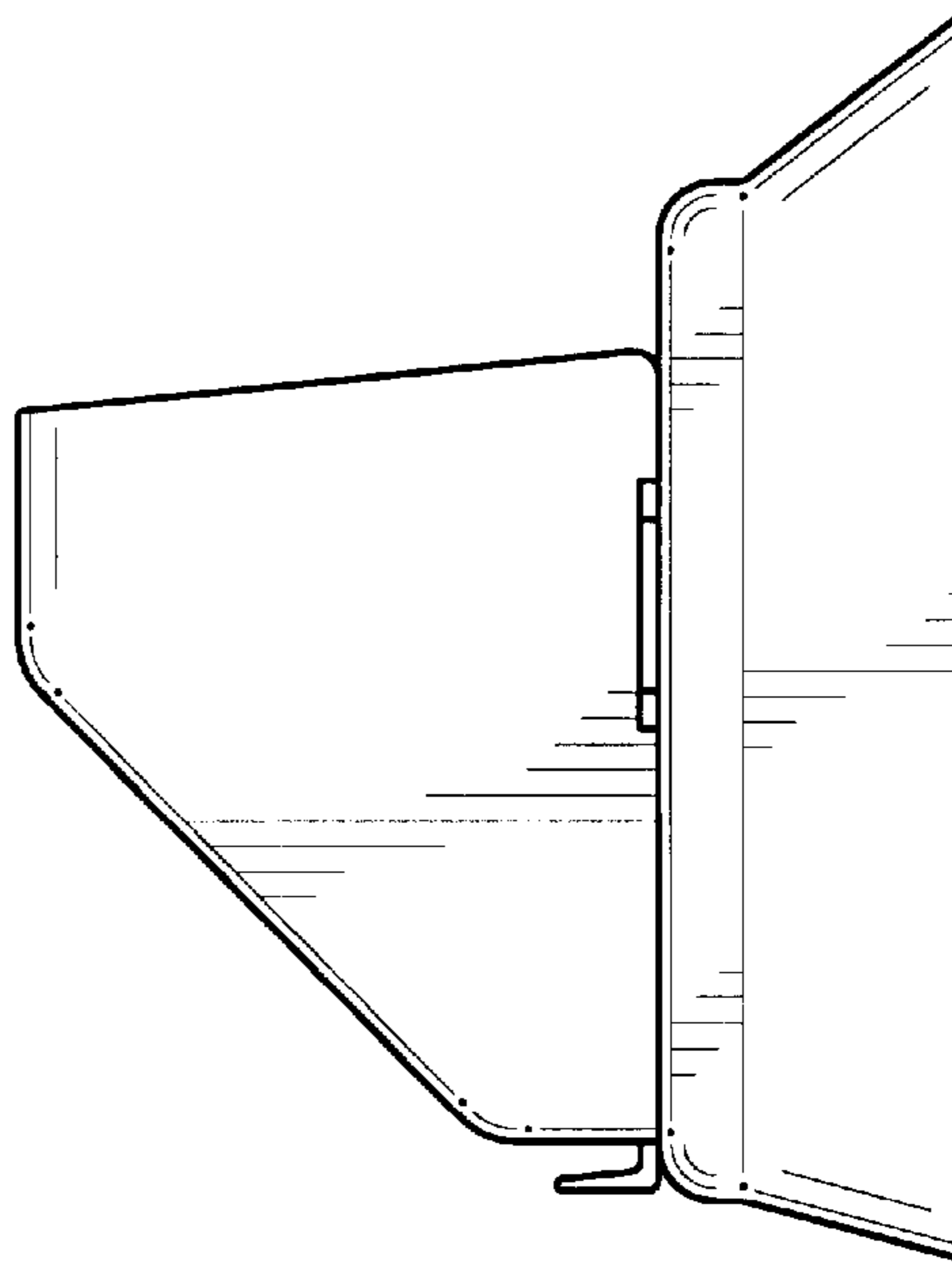
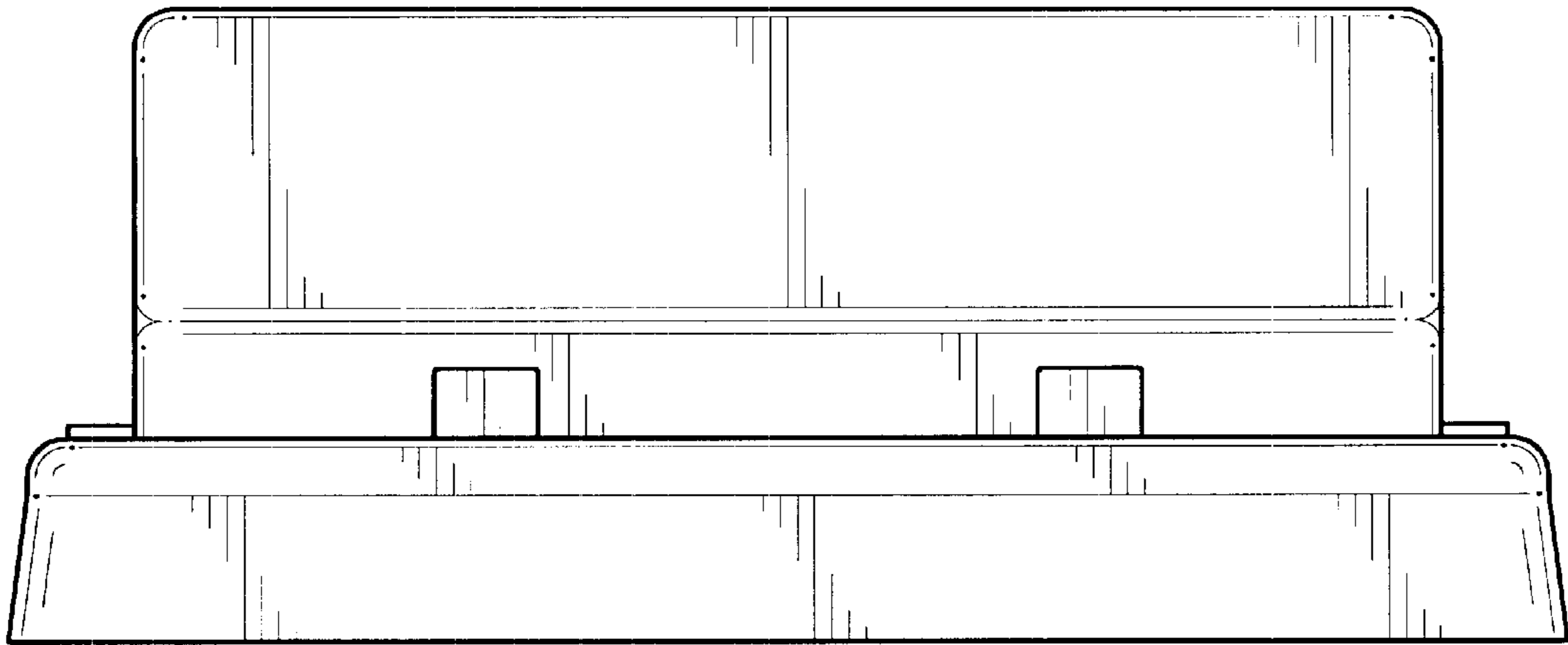


FIG. 4



*FIG. 6*



*FIG. 7*

