



US00D453174S

(12) **United States Design Patent**
Koinuma

(10) **Patent No.:** **US D453,174 S**

(45) **Date of Patent:** **** Jan. 29, 2002**

(54) **BINOCULARS**

(75) **Inventor:** **Masahiro Koinuma, Saitama (JP)**

(73) **Assignee:** **Asahi Kogaku Kogyo Kabushiki Kaisha, Tokyo (JP)**

(**) **Term:** **14 Years**

(21) **Appl. No.:** **29/144,114**

(22) **Filed:** **Jun. 27, 2001**

(30) **Foreign Application Priority Data**

Dec. 27, 2000 (JP) 2000-037287

(51) **LOC (7) Cl.** **16-06**

(52) **U.S. Cl.** **D16/133**

(58) **Field of Search** D16/130, 133;
359/407, 408, 409, 410, 411, 412, 417,
418, 421, 422, 425, 426

(56) **References Cited**

U.S. PATENT DOCUMENTS

3,076,382 A * 2/1963 Dowling et al. 359/412
3,257,901 A * 6/1966 Dowling et al. 359/417
D310,230 S * 8/1990 Huston D16/130
D311,013 S * 10/1990 Wakayama et al. D16/133
D387,785 S 12/1997 Matsushita
D395,905 S 7/1998 Hamamura

5,896,209 A * 4/1999 Funatsu 359/417

D409,212 S * 5/1999 Omino D16/133

D411,214 S * 6/1999 Hamamura D16/133

D418,849 S * 1/2000 Becker et al. D16/133

D439,260 S 3/2001 Matsushita

* cited by examiner

Primary Examiner—Paula A. Mortimer

(74) *Attorney, Agent, or Firm*—Sughrue Mion, PLLC

(57) **CLAIM**

The ornamental design for a binoculars, as shown and described.

DESCRIPTION

FIG. 1 is a perspective view of the top, front and left side of binoculars showing my new design;

FIG. 2 is a front elevational view thereof;

FIG. 3 is a top plan view thereof;

FIG. 4 is a bottom plan thereof;

FIG. 5 is a right side elevational view thereof;

FIG. 6 is a left side elevational view thereof;

FIG. 7 is a rear elevational view thereof;

FIG. 8 is a perspective view similar to FIG. 1 with the lens casings spaced apart and the eye pieces extended;

FIG. 9 is a front elevational view thereof;

FIG. 10 is a top plan view thereof; and,

FIG. 11 is a right side elevational view thereof.

1 Claim, 5 Drawing Sheets

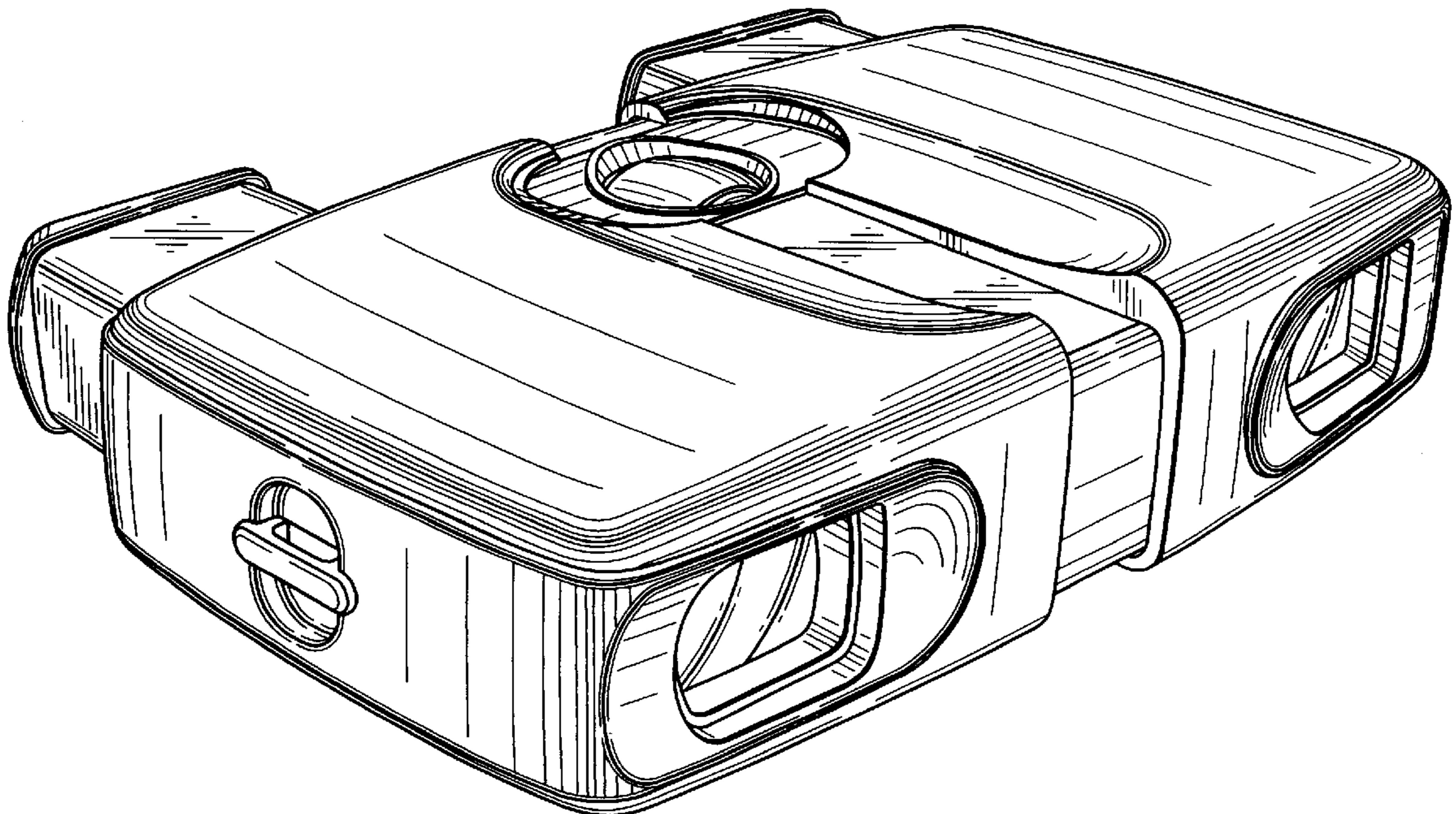


FIG. 1

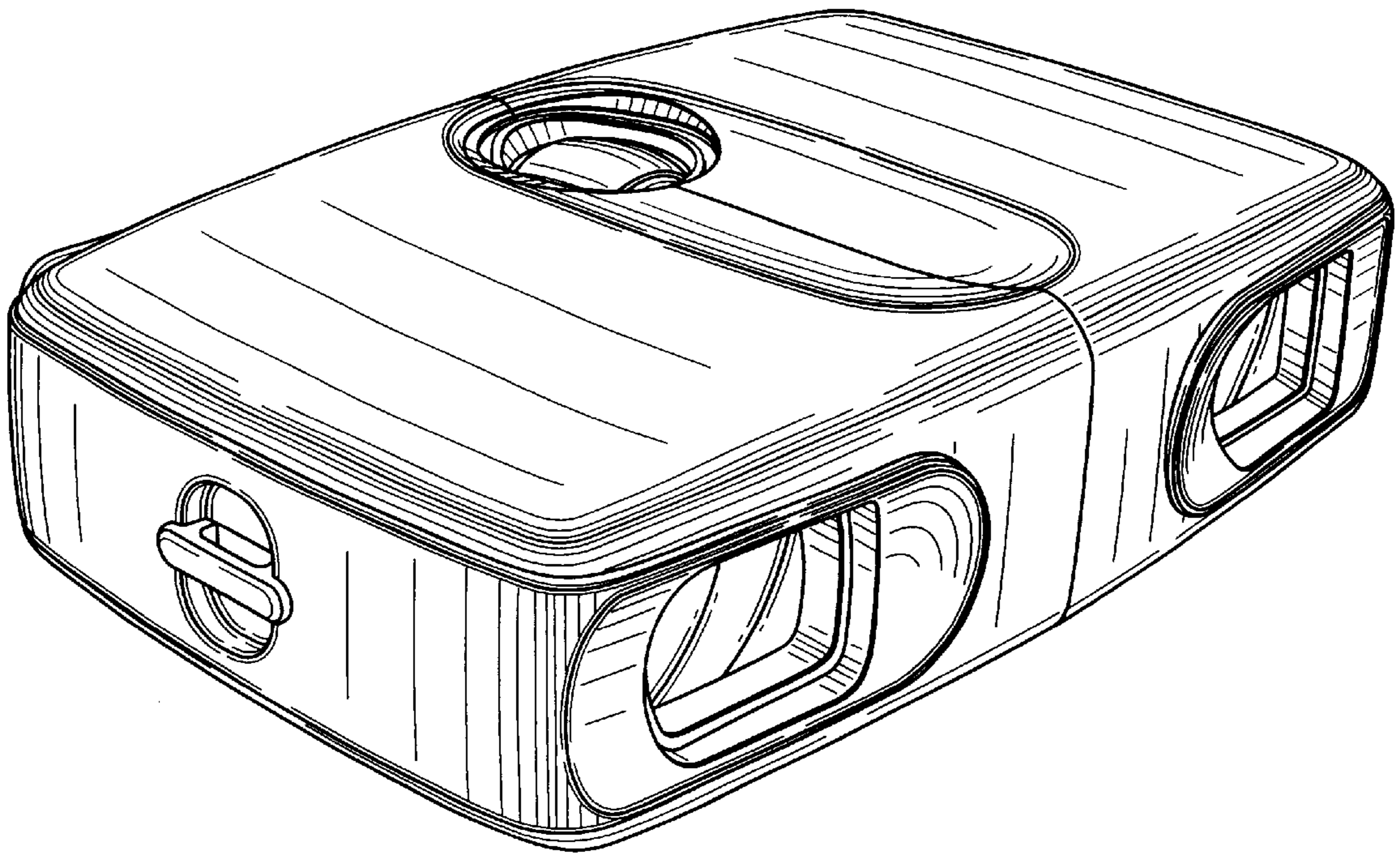


FIG. 2

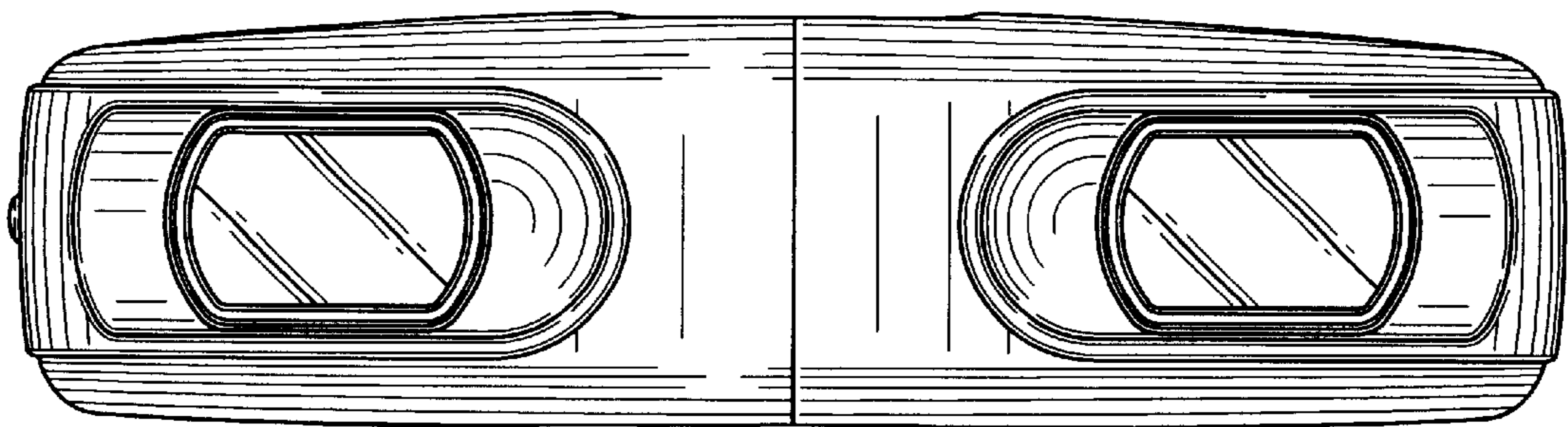


FIG. 3

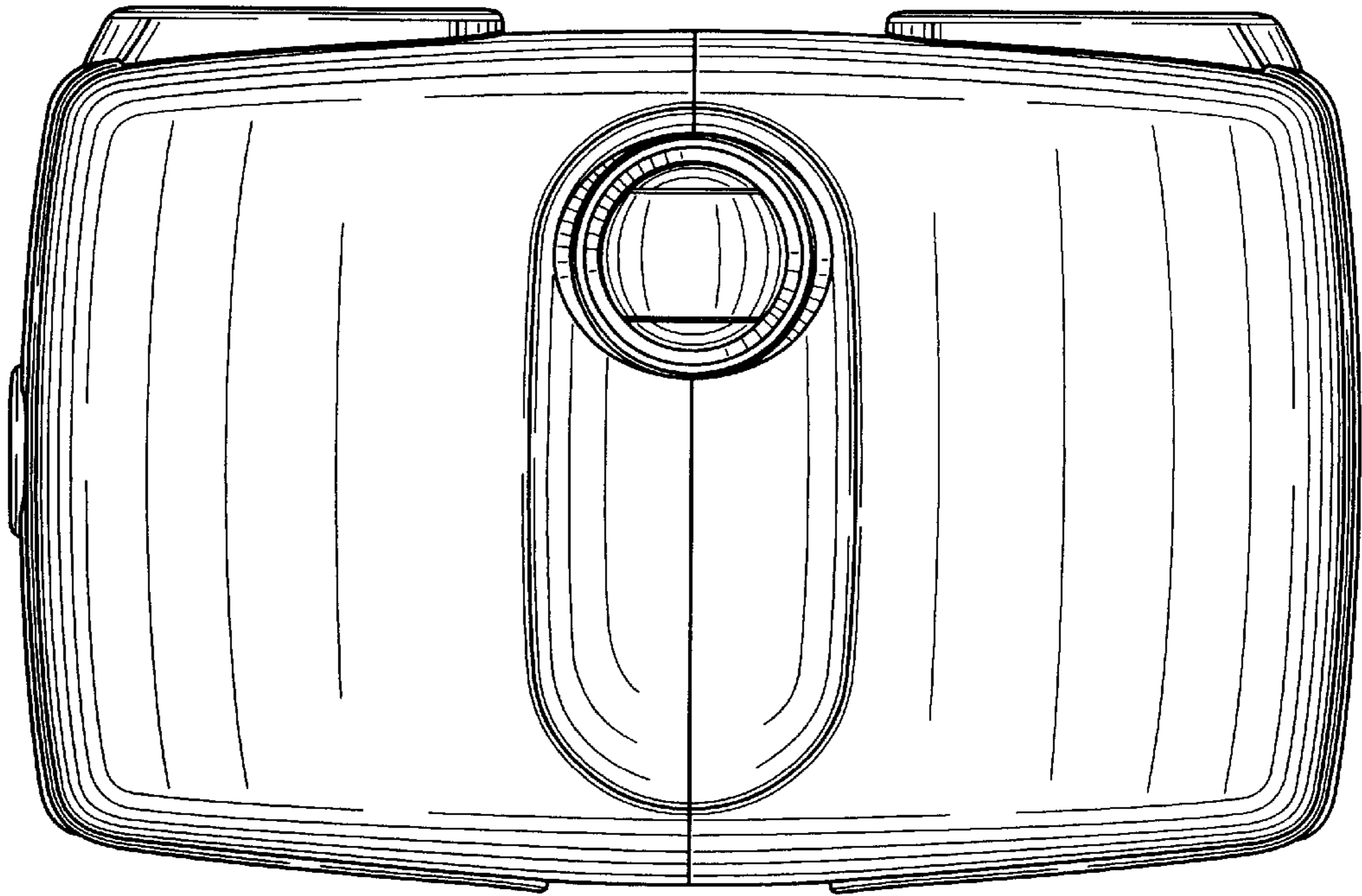


FIG. 4

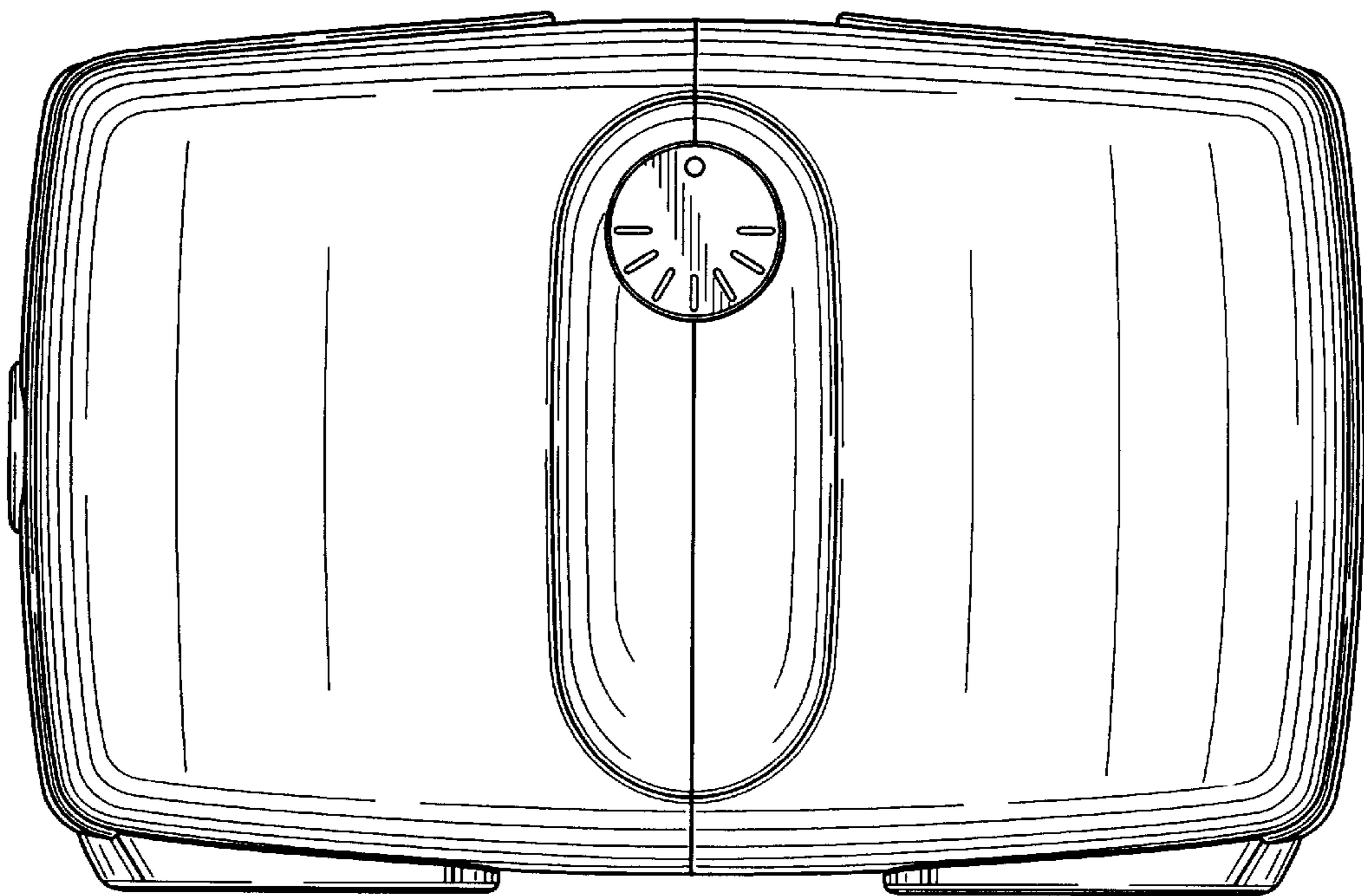


FIG. 5

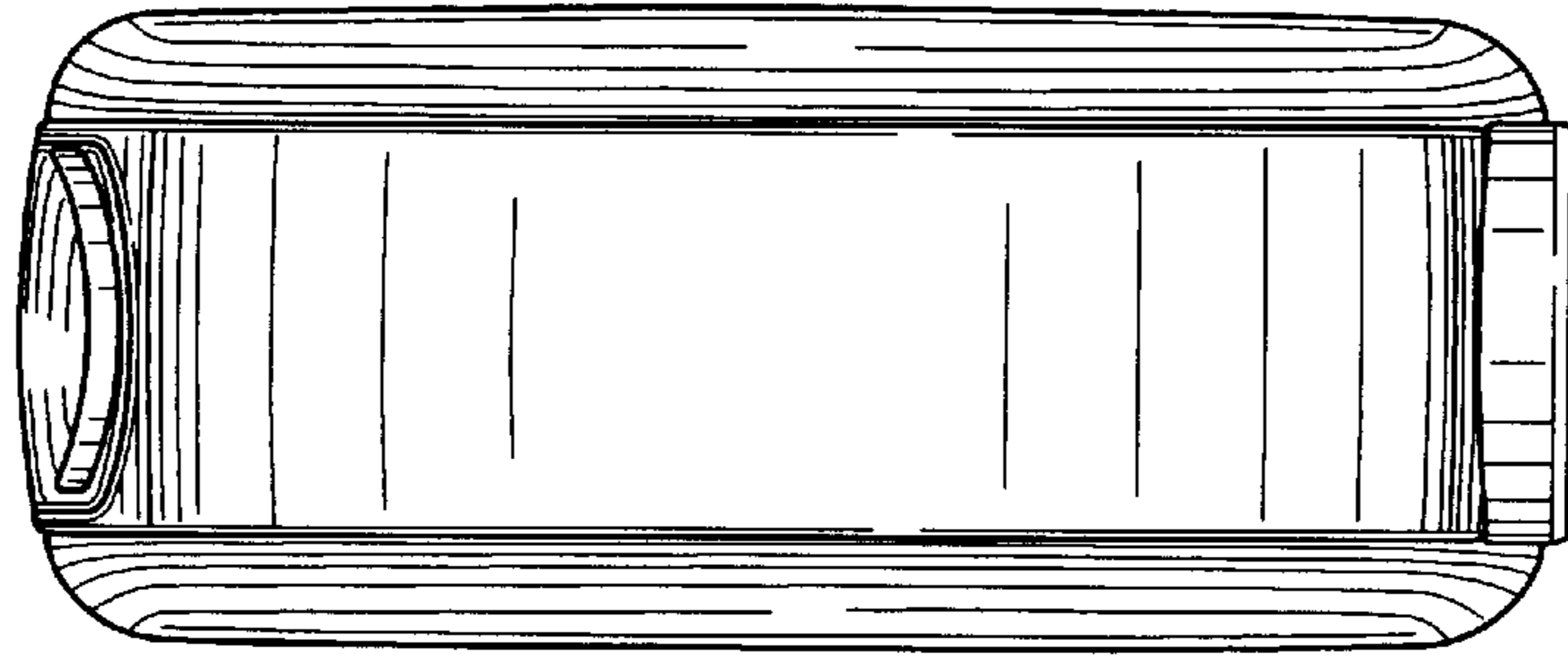


FIG. 6

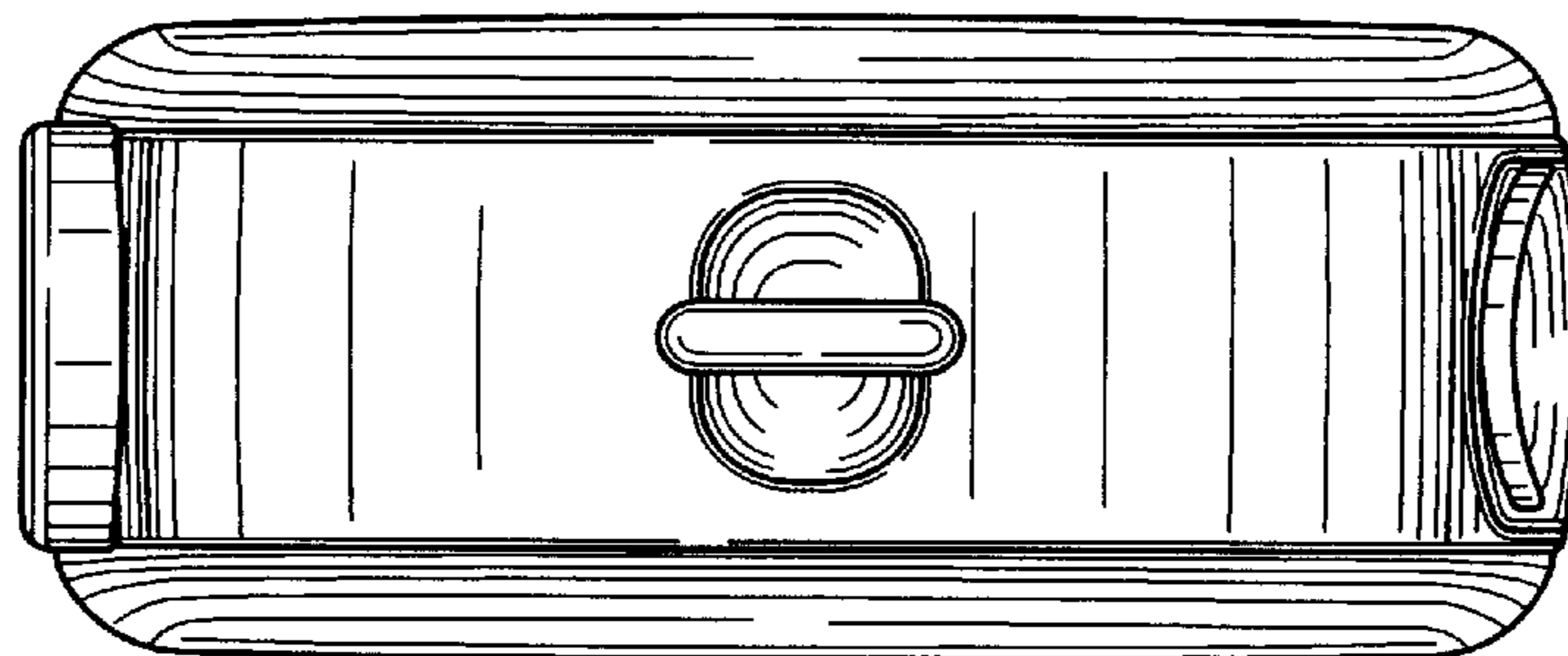


FIG. 7

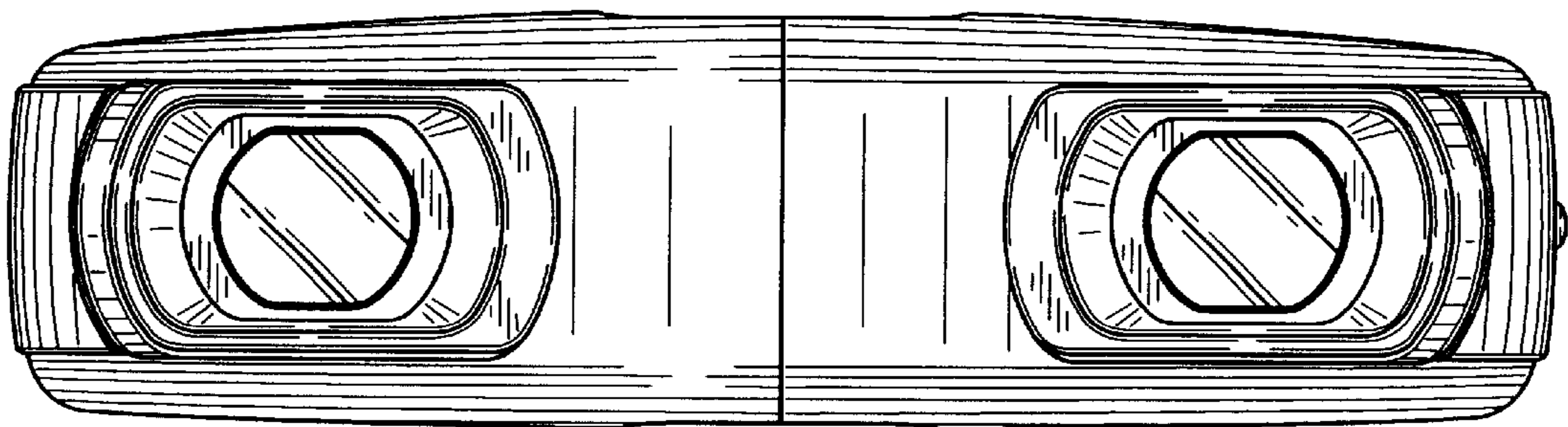


FIG. 8

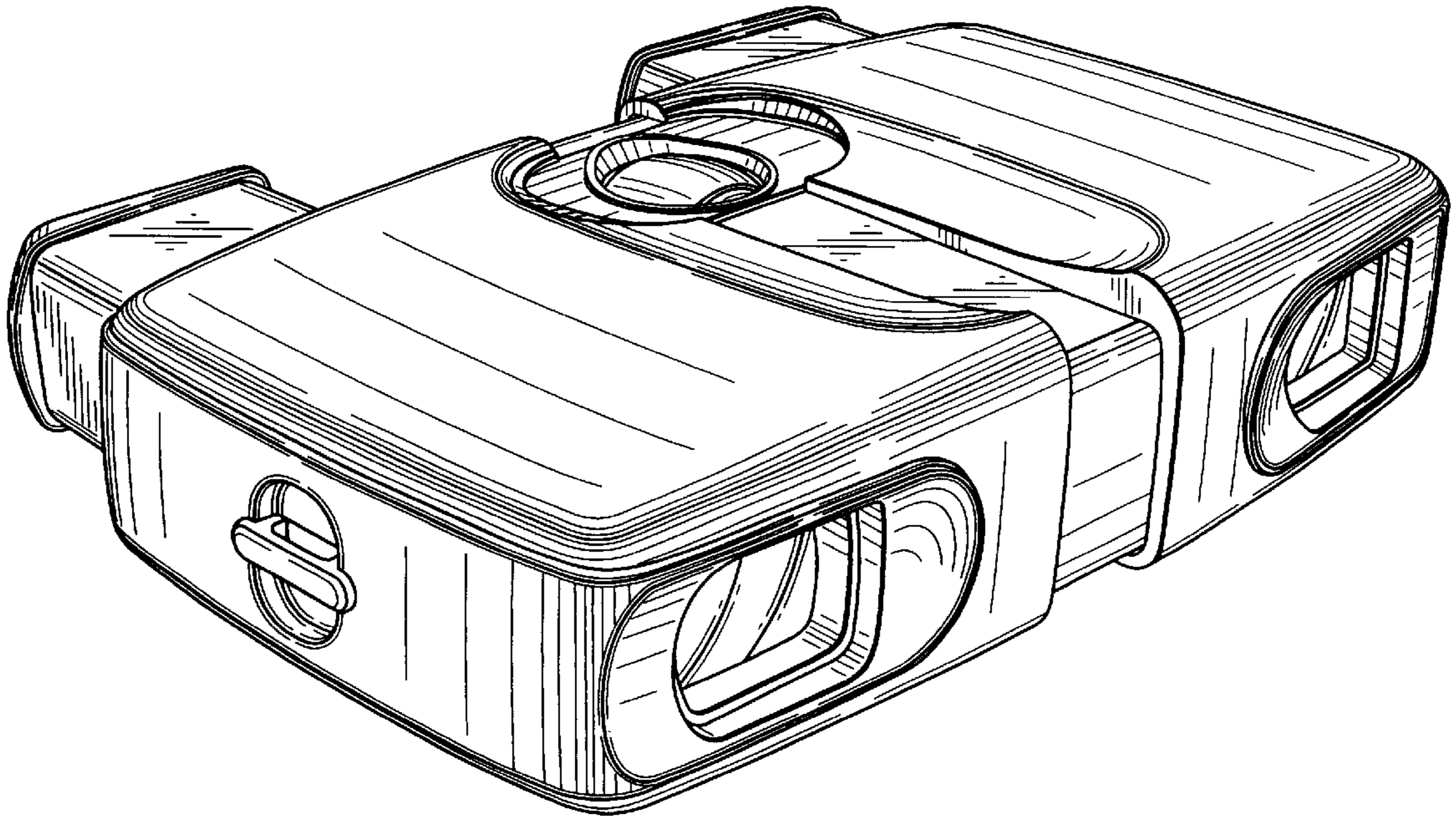


FIG. 9

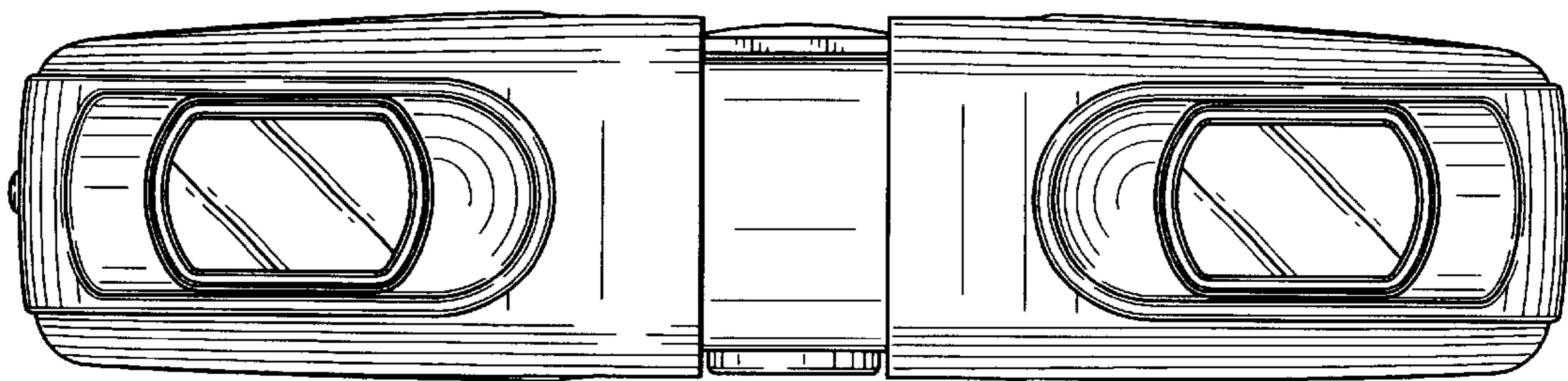


FIG. 10

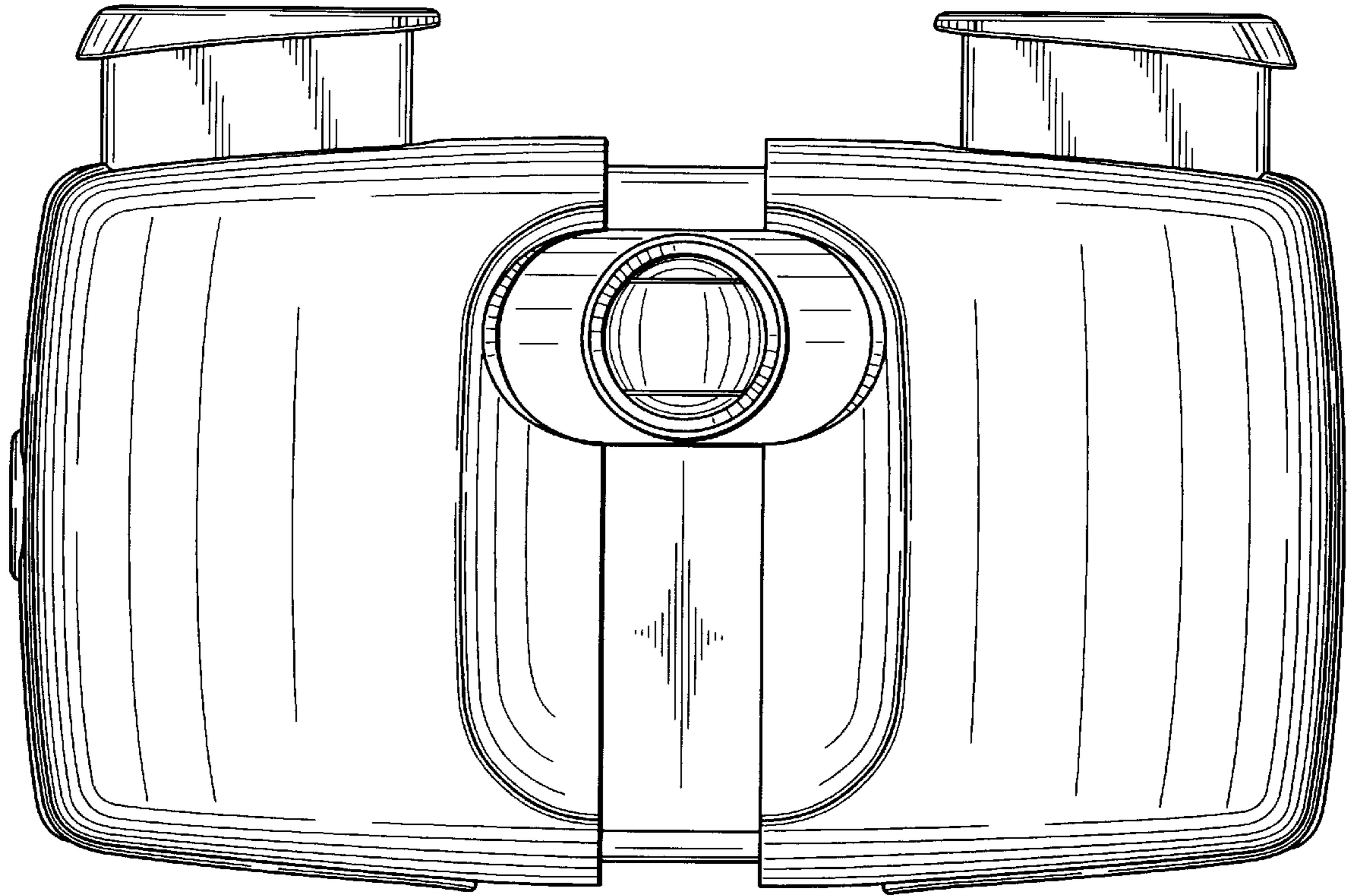


FIG. 11

