



US00D453172S

(12) **United States Design Patent**
Cheng

(10) **Patent No.:** **US D453,172 S**

(45) **Date of Patent:** **** Jan. 29, 2002**

(54) **LAMINATING MACHINE**

D441,775 S * 5/2001 Cheng D15/146

(75) **Inventor:** **James Cheng, Chia Yi Hsien (TW)**

* cited by examiner

(73) **Assignee:** **Homedal Industrial Corporation (TW)**

Primary Examiner—Antoine Duval Davis
(74) *Attorney, Agent, or Firm*—Larson & Taylor, PLC

(**) **Term:** **14 Years**

(57) **CLAIM**

The ornamental design for a laminating machine, as shown.

(21) **Appl. No.:** **29/139,783**

(22) **Filed:** **Apr. 6, 2001**

DESCRIPTION

(51) **LOC (7) Cl.** **15-09**

(52) **U.S. Cl.** **D15/146**

(58) **Field of Search** D15/145, 146;
100/155 R, 160, 176; 156/555, 560, 582,
583.1

FIG. 1 is a perspective view of the laminating machine showing my new design;

FIG. 2 is a left side elevational view thereof;

FIG. 3 is a front elevational view thereof;

FIG. 4 is a top plan view thereof;

FIG. 5 is a right side elevational view thereof;

FIG. 6 is a rear elevational view thereof; and,

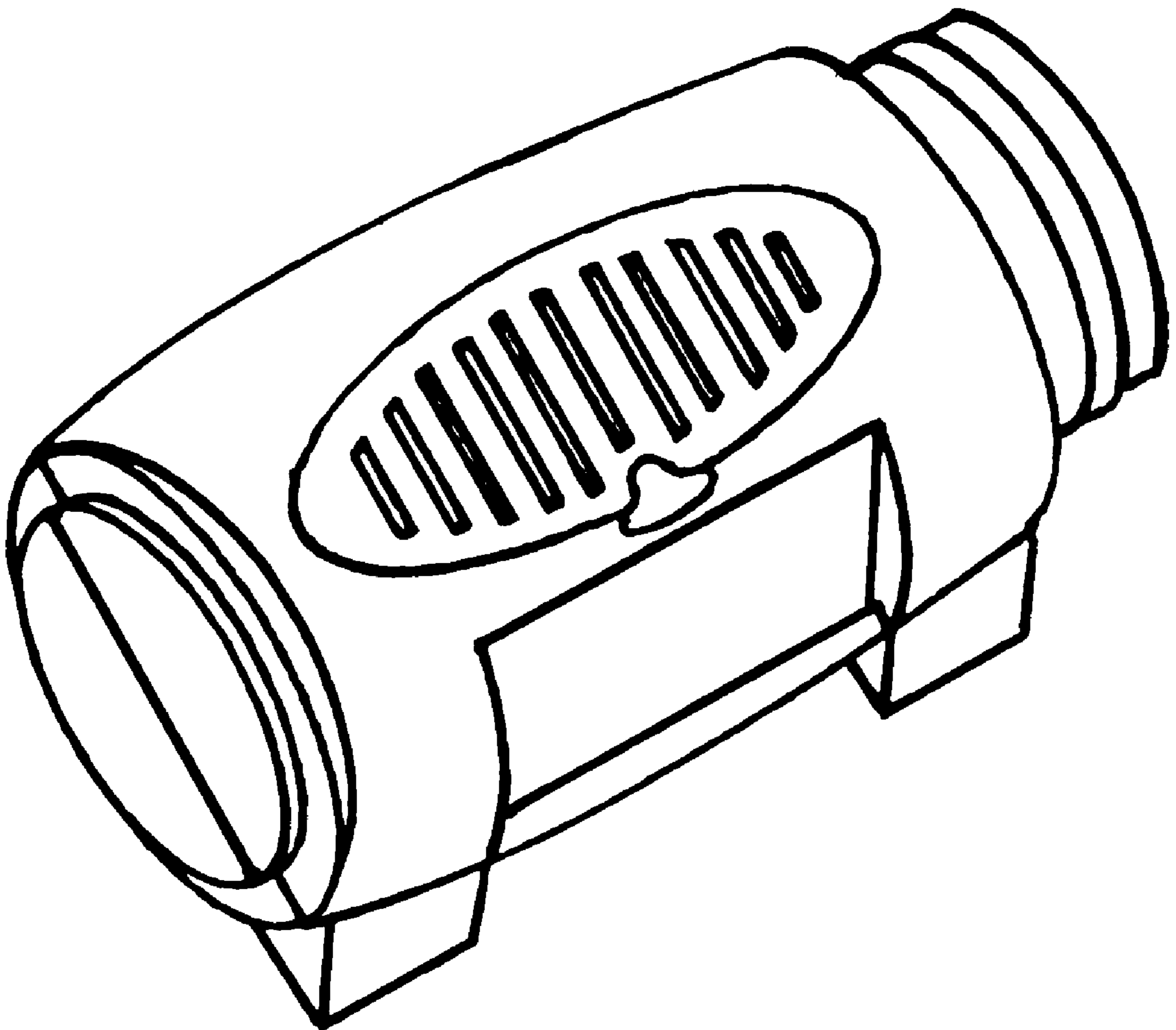
FIG. 7 is a bottom plan view thereof.

(56) **References Cited**

U.S. PATENT DOCUMENTS

6,131,636 A * 10/2000 Anderson et al. 156/555

1 Claim, 4 Drawing Sheets



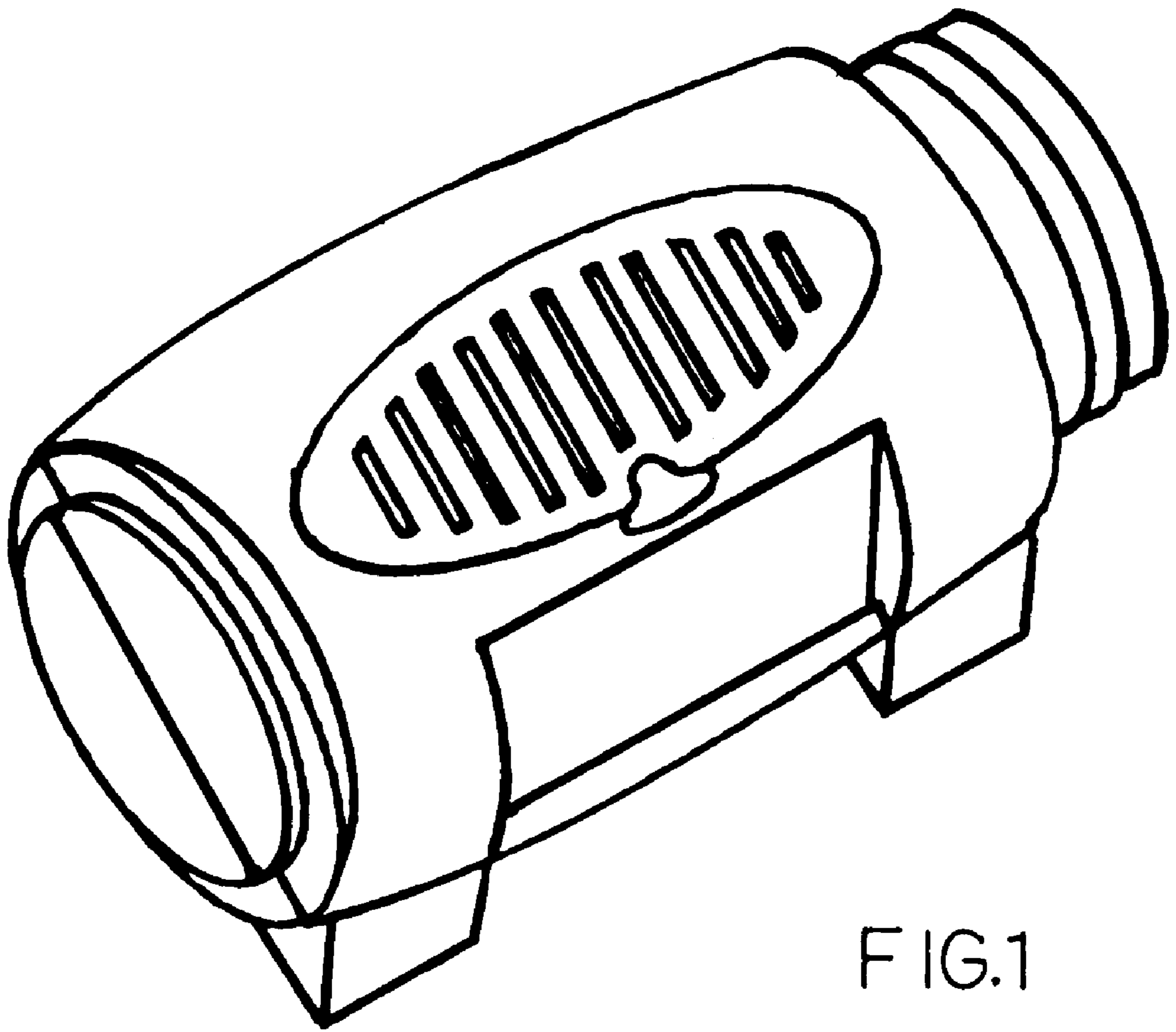


FIG.1

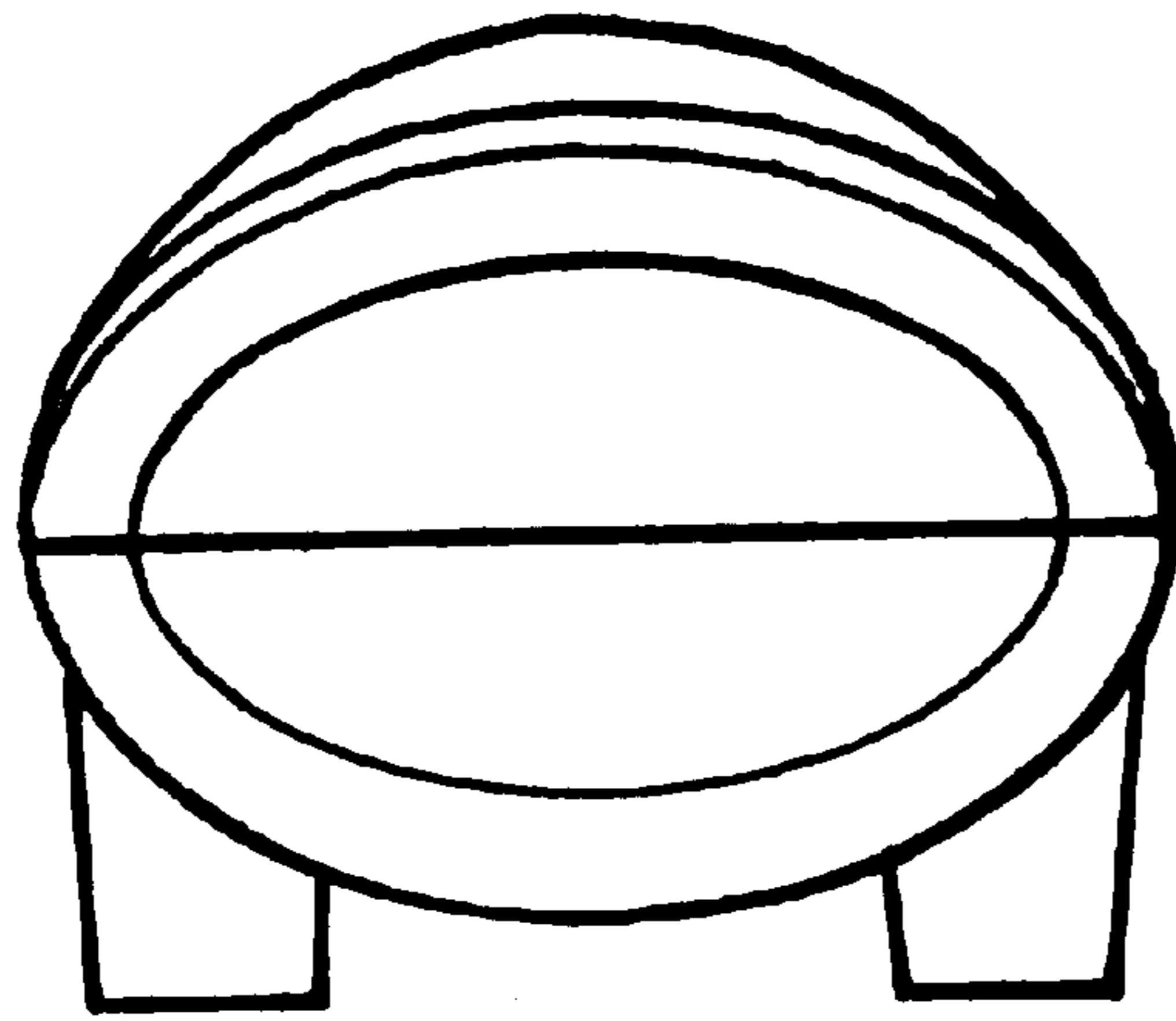


FIG. 2

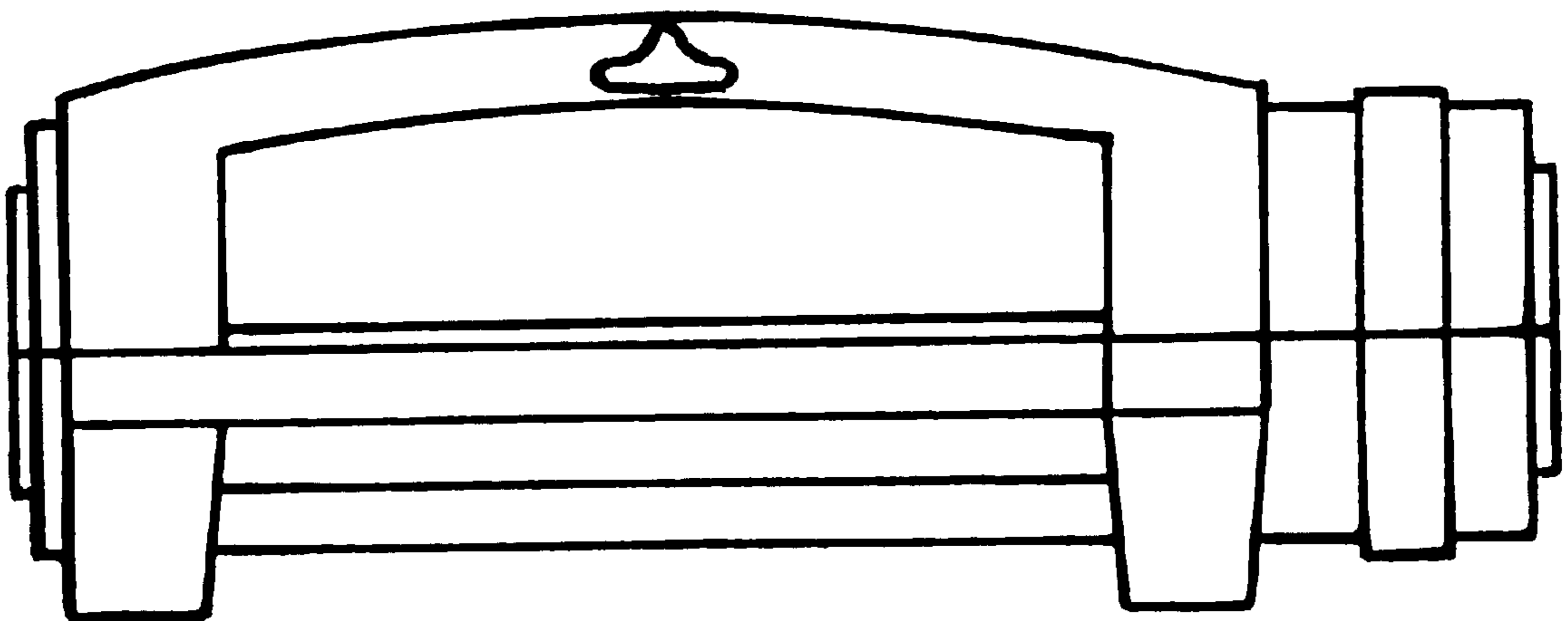


FIG. 3

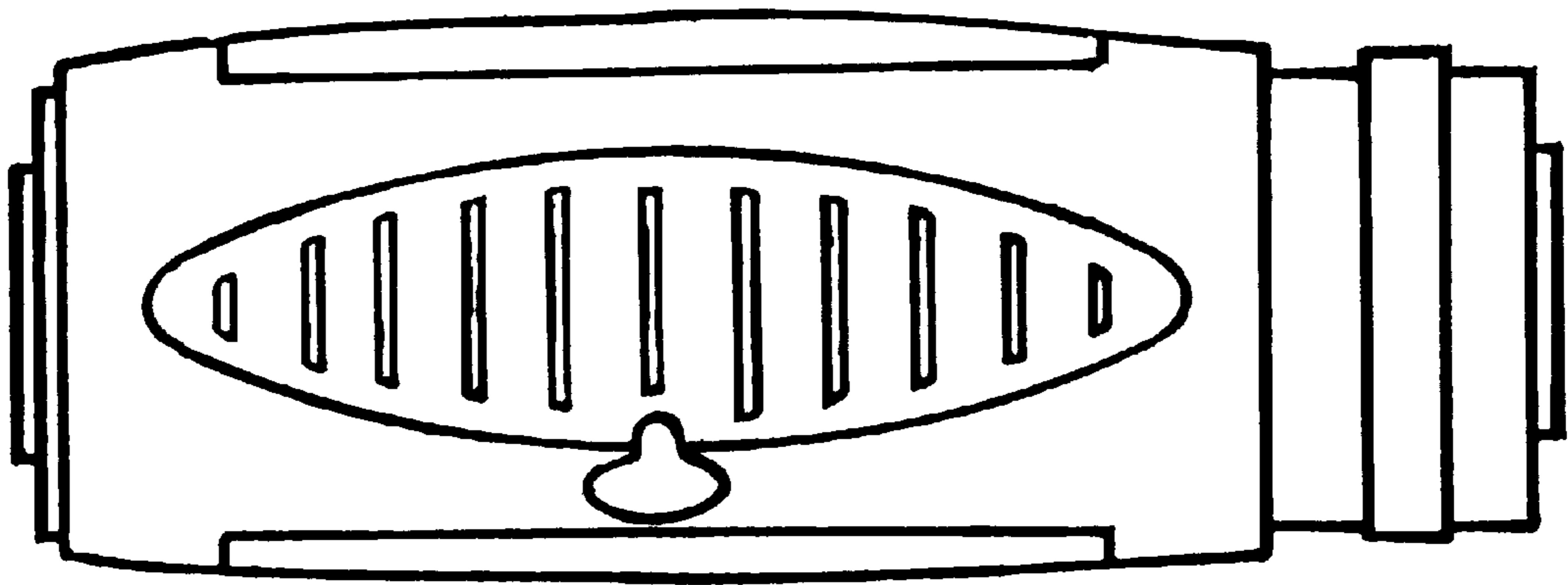


FIG. 4

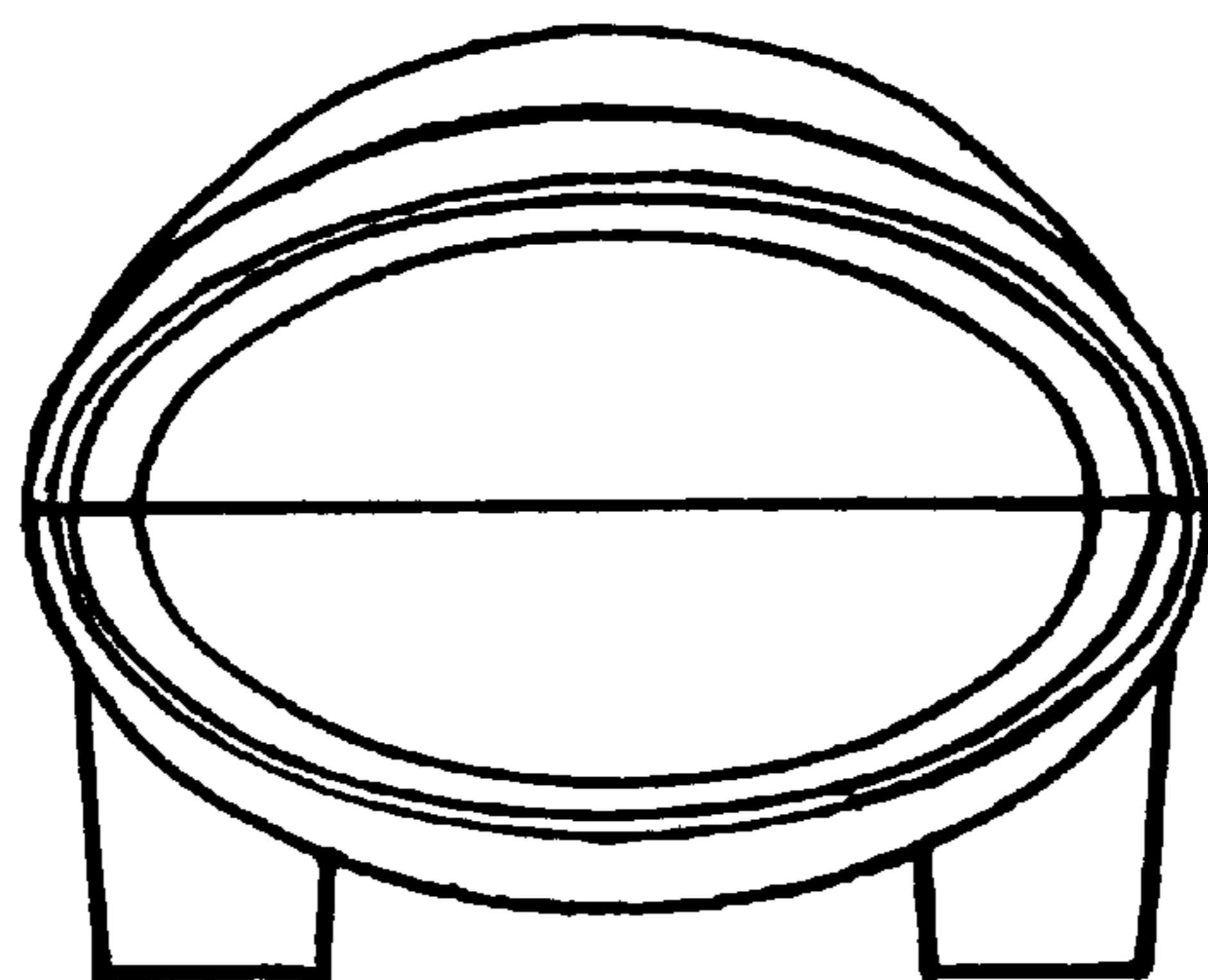


FIG. 5

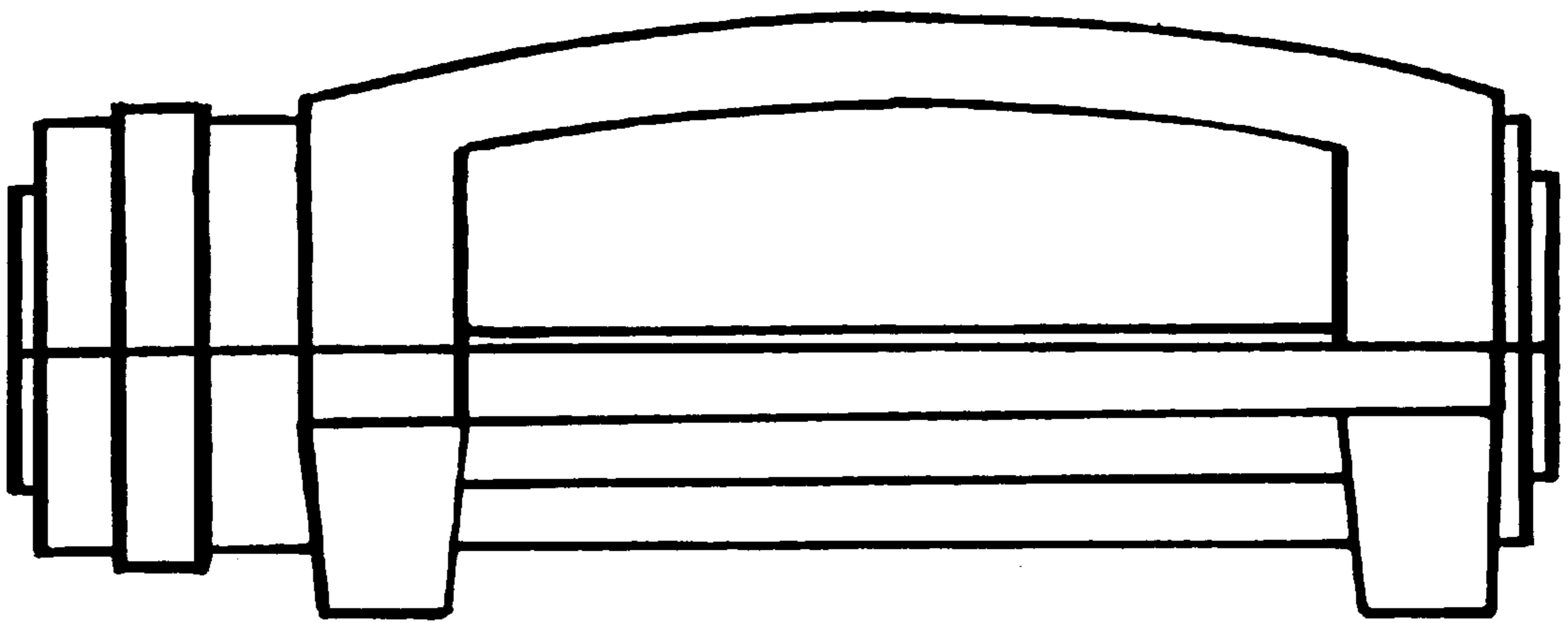


FIG. 6

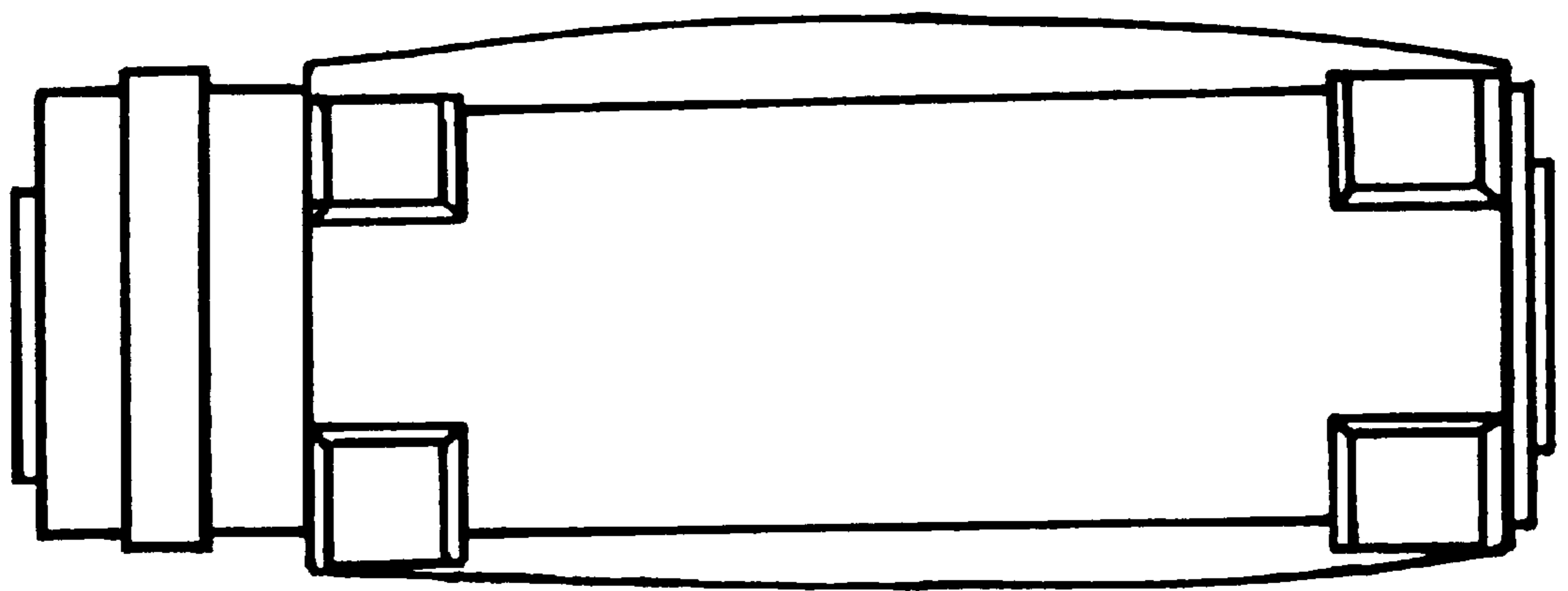


FIG. 7