



US00D453170S

(12) **United States Design Patent** (10) **Patent No.:** **US D453,170 S**  
**Smith et al.** (45) **Date of Patent:** **\*\* Jan. 29, 2002**

(54) **TUB FOR A TILE SAW**

(75) Inventors: **John Charles Smith**, Jackson; **Michael Chad Hollis**, Medina; **Leslie Daily Gist**, Jackson, all of TN (US)

(73) Assignee: **Porter-Cable/Delta**, Jackson, TN (US)

(\*\*) Term: **14 Years**

(21) Appl. No.: **29/138,023**

(22) Filed: **Mar. 5, 2001**

**Related U.S. Application Data**

(63) Continuation-in-part of application No. 09/714,134, filed on Nov. 17, 2000.

(51) **LOC (7) Cl.** ..... **15-09**

(52) **U.S. Cl.** ..... **D15/141; D15/133**

(58) **Field of Search** ..... D15/133; 83/471.2, 83/437.1, 372, 698.11, 886; 125/12, 13.01, 13.03, 35; 451/11, 393, 411, 455

(56) **References Cited**

**U.S. PATENT DOCUMENTS**

5,676,124 A	10/1997	Lee	125/13.01
RE35,666 E	11/1997	Smith	125/13.01
6,000,387 A	12/1999	Lee	125/13.01
6,080,041 A	6/2000	Greenland	451/11
6,119,676 A	9/2000	Greenland	125/35
D442,977 S	* 5/2001	Howard	D15/133

**FOREIGN PATENT DOCUMENTS**

EP	1 000 720 A2	5/2000
JP	11-123611	5/1999

**OTHER PUBLICATIONS**

U.S. application No. 09/714,134 from John Charles Smith, et al., filed Nov. 17, 2000.

Advertisement featuring VX2.1 Tile Saw from Pearl Abrasive Co. no date.

Advertisement featuring MK Diamond Products' MK-370, MK-101, MK-770, MK-1080, MK-660, and MK-880 tile saws, 1999.

MK 370 Tile Saw Owner's Manual Parts Listing & Operating Instructions, Manual Part No. 156760, Revision Jul. 1998.

Pearl Abrasive Co. VX Tile Saw Stand Instruction Sheet, Revision Feb. 1999.

Advertisement featuring MK Diamond Products' Tools & Accessories including the MK-ATS Stand, 1998.

\* cited by examiner

*Primary Examiner*—Antoine Duval Davis

(74) *Attorney, Agent, or Firm*—Hunton & Williams

(57) **CLAIM**

The ornamental design for a tub for a tile saw, as shown and described.

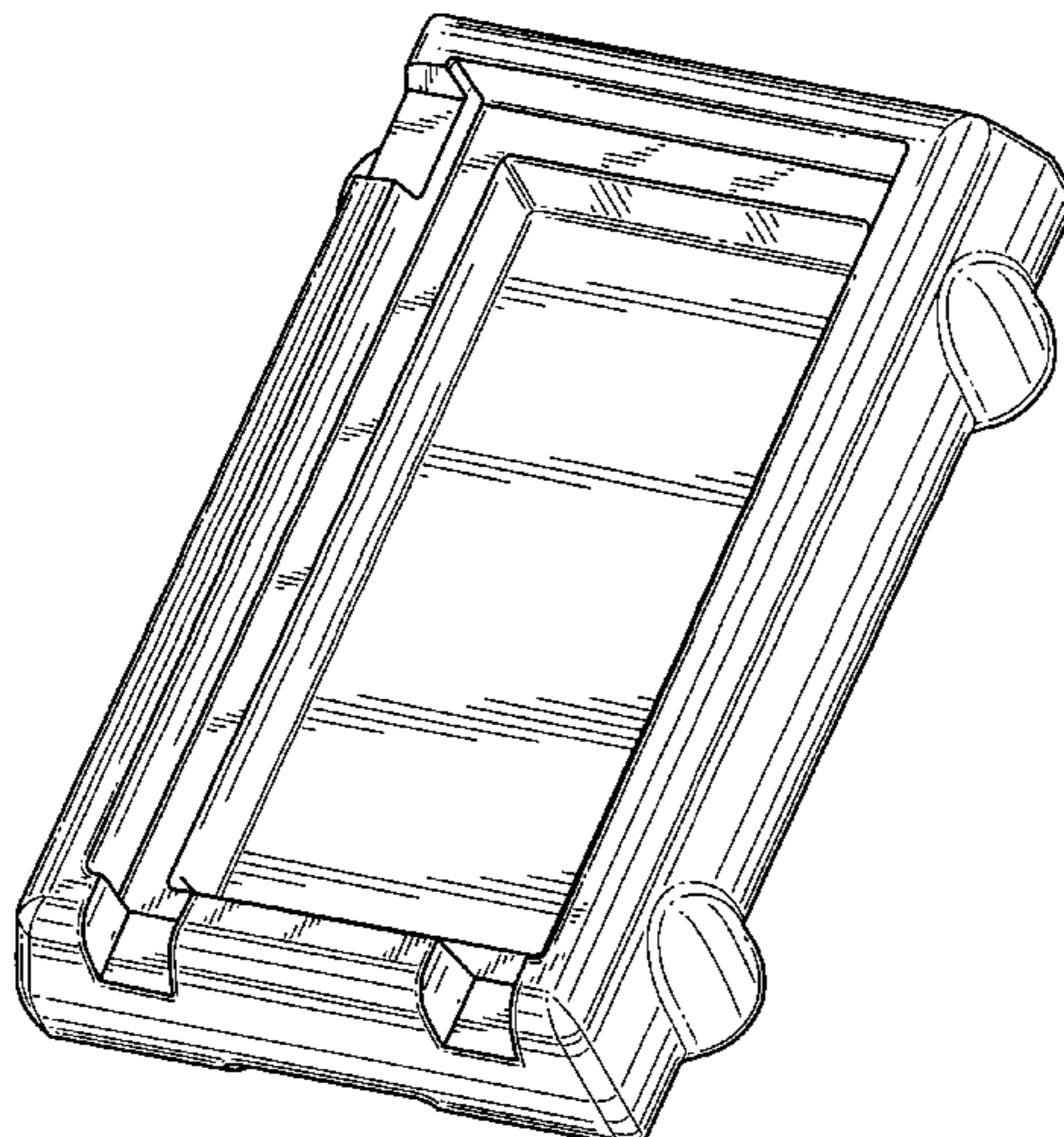
**DESCRIPTION**

This application is related by subject matter to application Ser. No. 29/138,021 entitled "Table for a Tile Saw," and application Ser. No. 29/138,020 entitled "Arm for a Tile Saw."

FIG. 1 is an isometric view of the tub for a tile saw; FIG. 2 is a top view of the tub for a tile saw of FIG. 1; FIG. 3 is a left-side view of the tub for a tile saw of FIG. 1; FIG. 4 is a right-side view of the tub for a tile saw of FIG. 1; FIG. 5 is a front view of the tub for a tile saw of FIG. 1; FIG. 6 is a back view of the tub for a tile saw of FIG. 1; and, FIG. 7 is another isometric view of the tub for a tile saw of FIG. 1 shown in its environment.

The bottom of the tub is not shown and forms no part of the claimed design. The broken line illustration of environmental structure in FIG. 7 is for illustrative purposes only and forms no part of the claimed design.

**1 Claim, 6 Drawing Sheets**



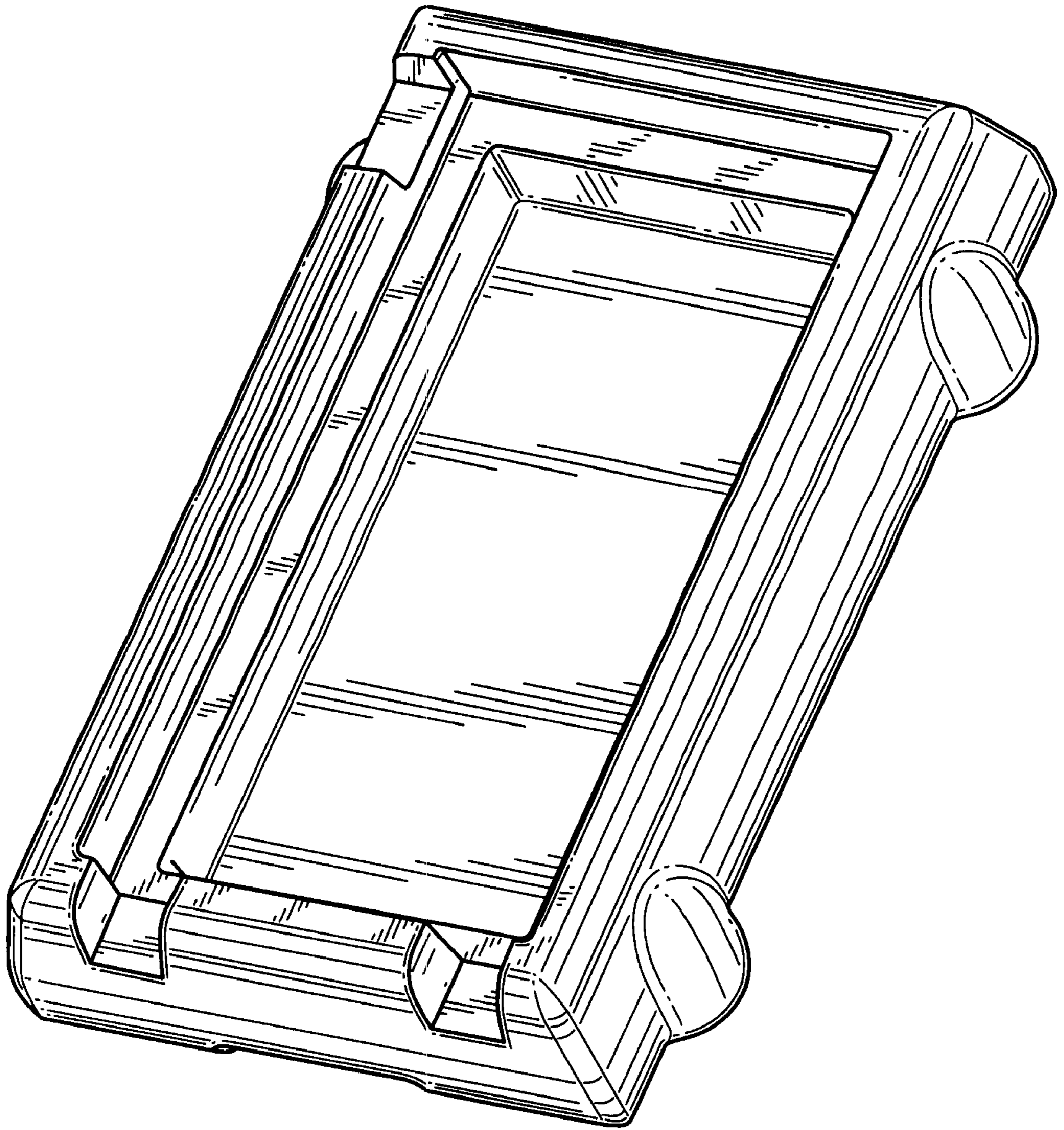


FIG. 1

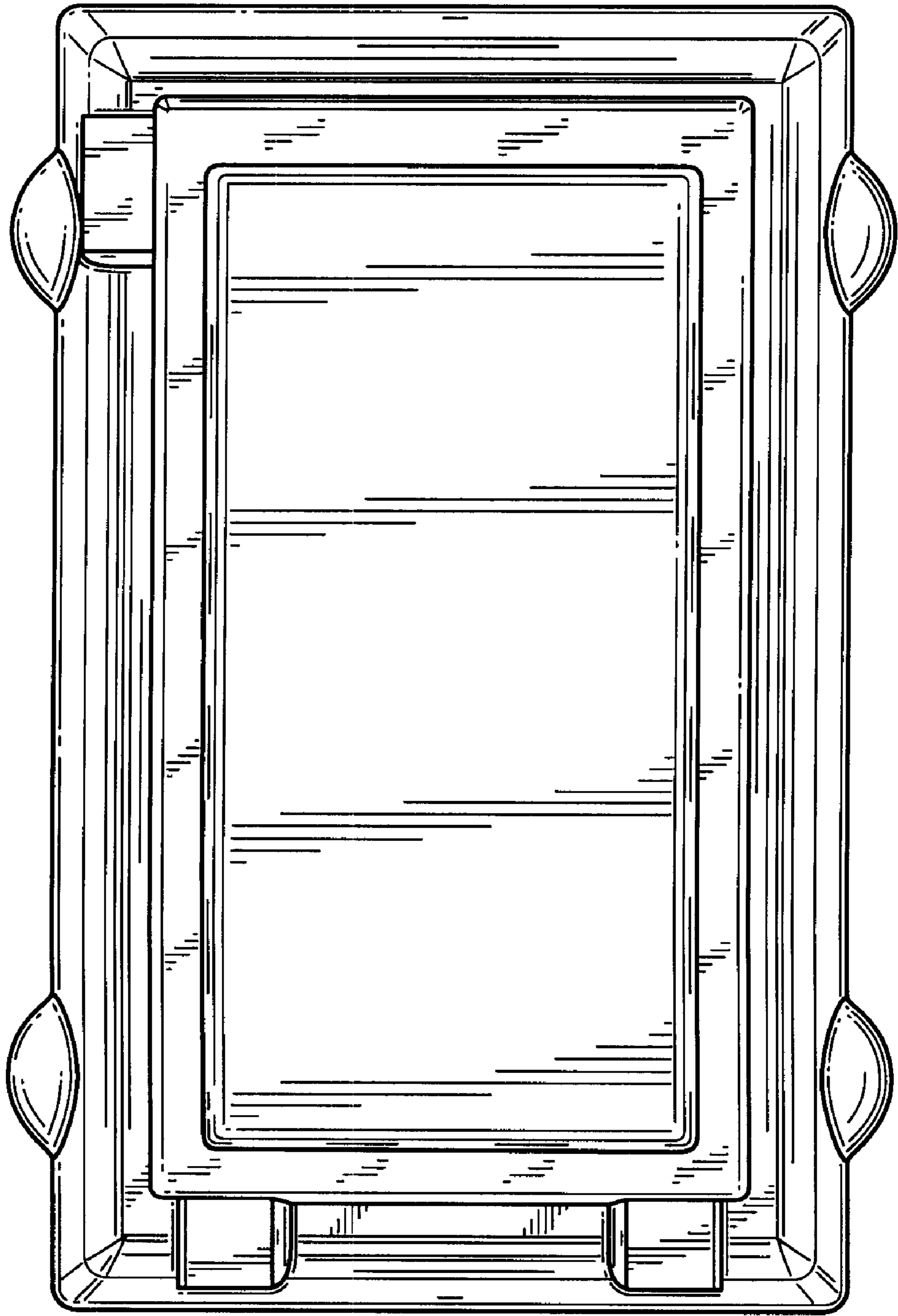


FIG. 2

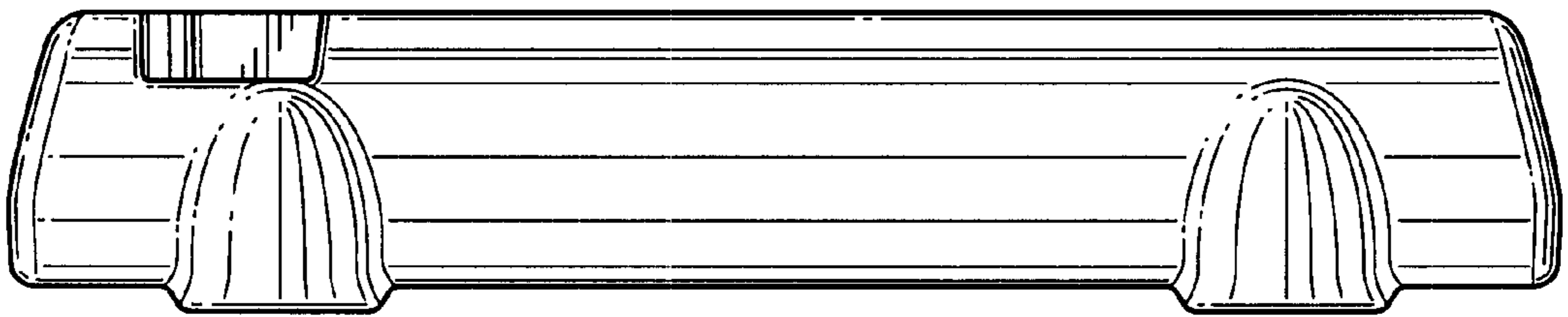


FIG. 3

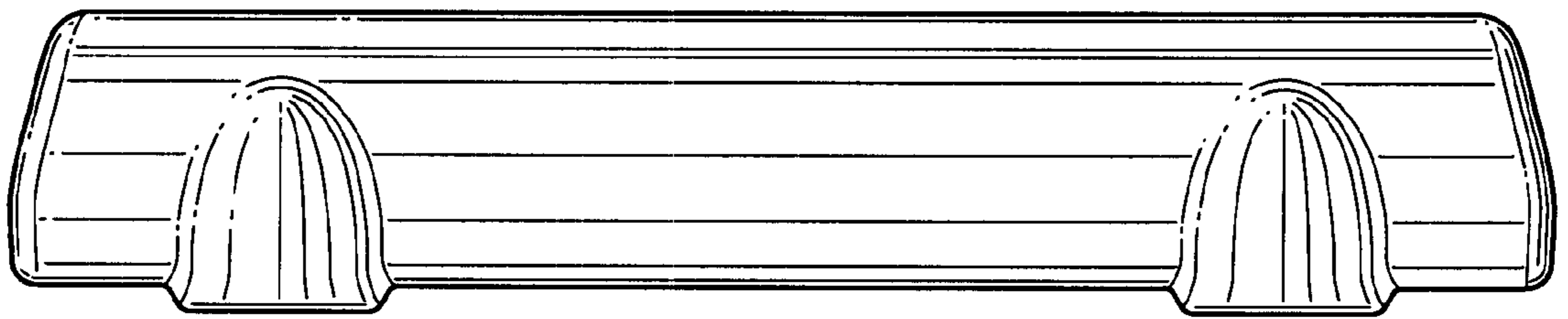


FIG. 4

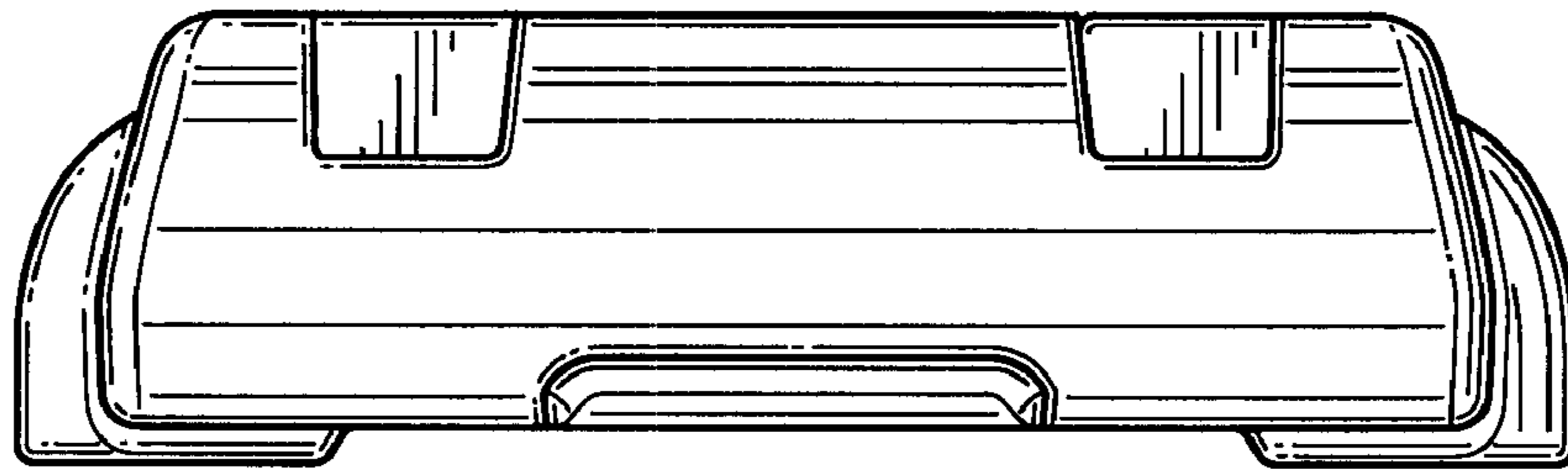


FIG. 5

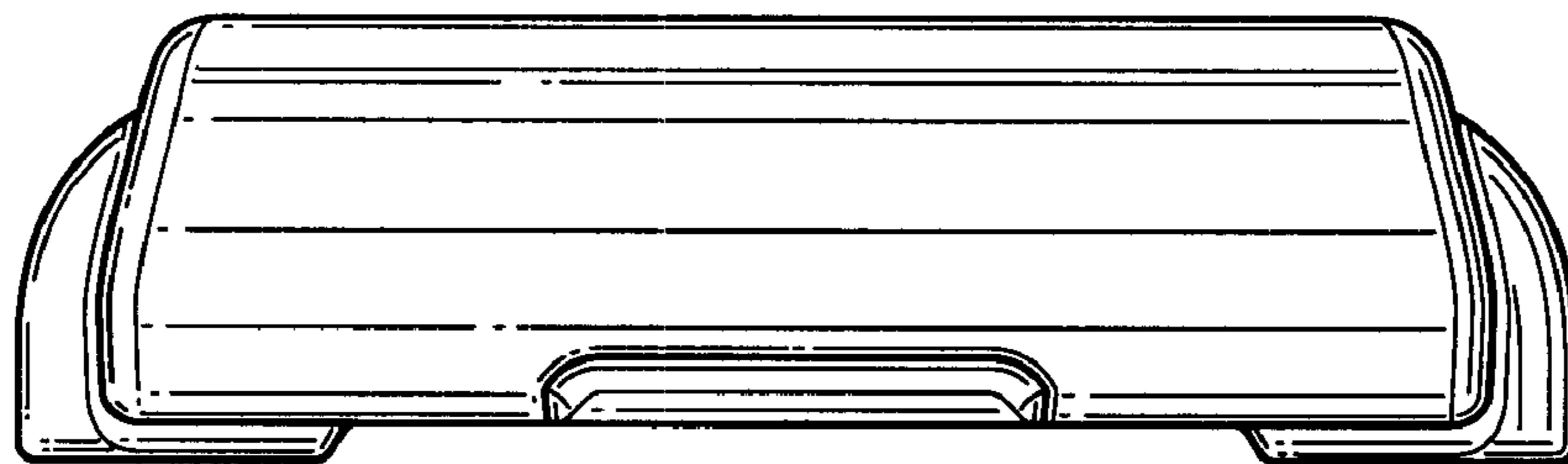


FIG. 6

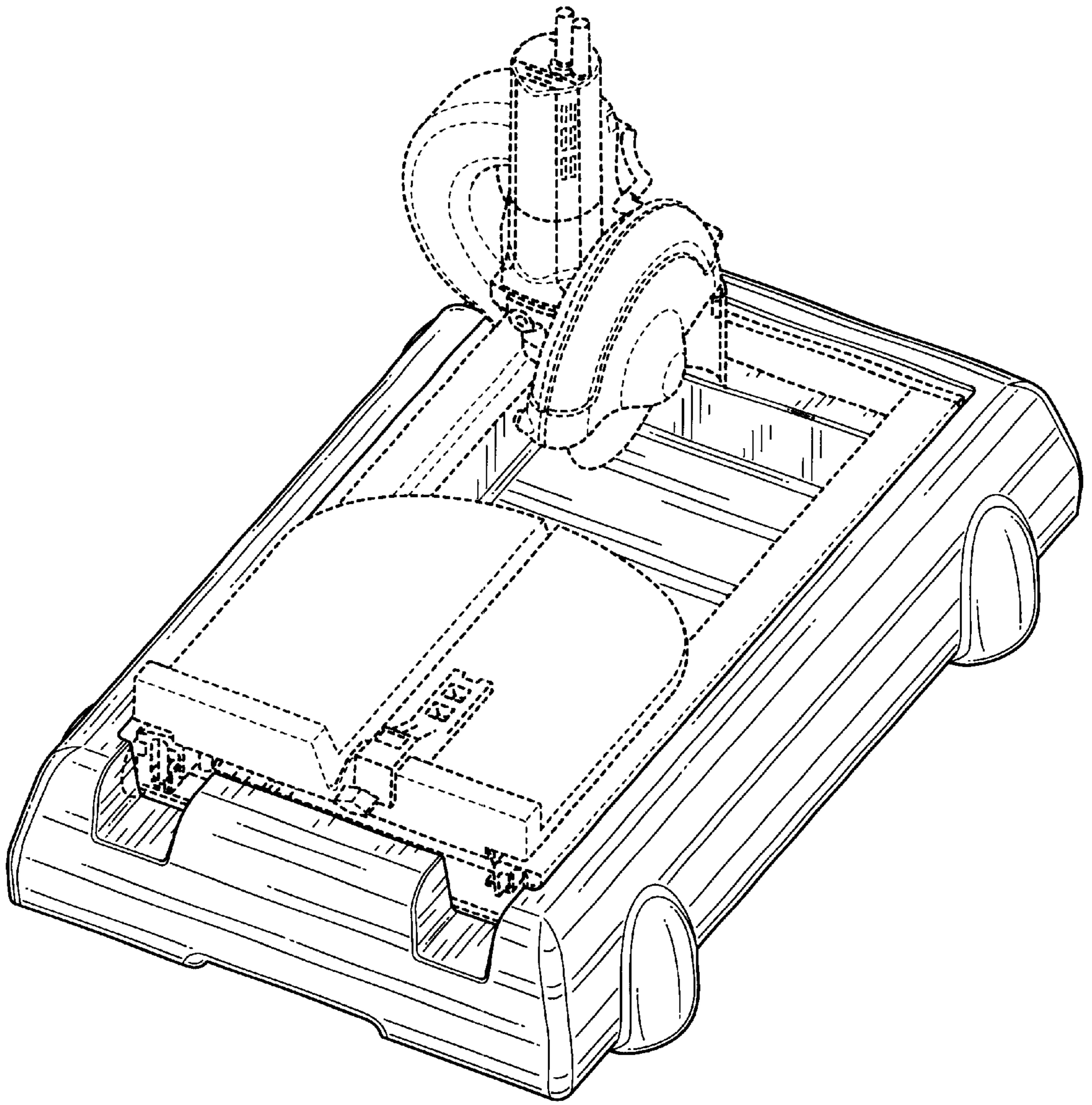


FIG. 7