



US00D453169S

(12) **United States Design Patent**
Ma et al.

(10) **Patent No.:** **US D453,169 S**

(45) **Date of Patent:** **** Jan. 29, 2002**

(54) **WINE CELLAR WITH LONG HANDLE**

(75) Inventors: **Jian Ma; Biao Li; Kegang Huang;**
Qing Yao, all of Qingdao (CN)

(73) Assignee: **Haier Group Corporation**, Qingdao
(CN)

(**) Term: **14 Years**

(21) Appl. No.: **29/137,897**

(22) Filed: **Mar. 2, 2001**

(30) **Foreign Application Priority Data**

Feb. 16, 2001 (CN) 01316558

(51) **LOC (7) Cl.** **15-07**

(52) **U.S. Cl.** **D15/81**

(58) **Field of Search** D15/79, 81, 88;
62/250, 457, 445, 125, 127, 246, 371, 444;
D6/470-472; 312/114, 116, 128, 236

(56) **References Cited**

U.S. PATENT DOCUMENTS

2,610,473 A * 9/1952 Chovanec 62/250

D325,918 S * 5/1992 Llyod D15/81

D372,036 S * 7/1996 Timura D15/81

D449,467 S * 10/2001 Bedard D6/470

* cited by examiner

Primary Examiner—Mitchell Siegel

(74) *Attorney, Agent, or Firm*—Nixon & Vanderhye PC;
Frank P. Presta

(57) **CLAIM**

The ornamental design for a wine cellar with long handle, as shown and described.

DESCRIPTION

FIG. 1 is a perspective view of the design;

FIG. 2 is a front elevational view of the design;

FIG. 3 is a rear elevational view of the design;

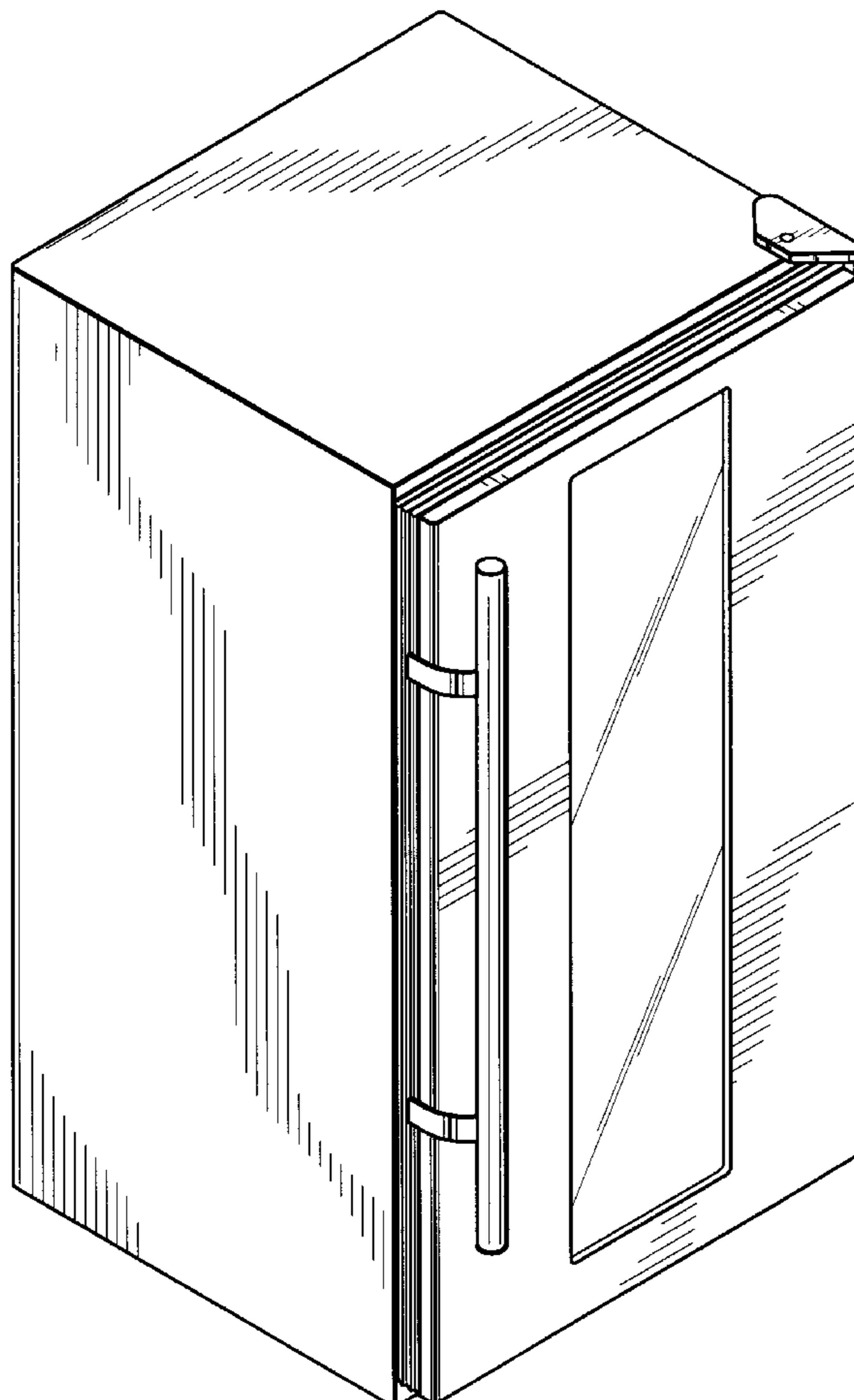
FIG. 4 is an elevational view of one side of the design;

FIG. 5 is an elevational view of the opposite side of the design;

FIG. 6 is a plan view of the top of the design; and,

FIG. 7 is a plan view of the bottom of the design.

1 Claim, 4 Drawing Sheets



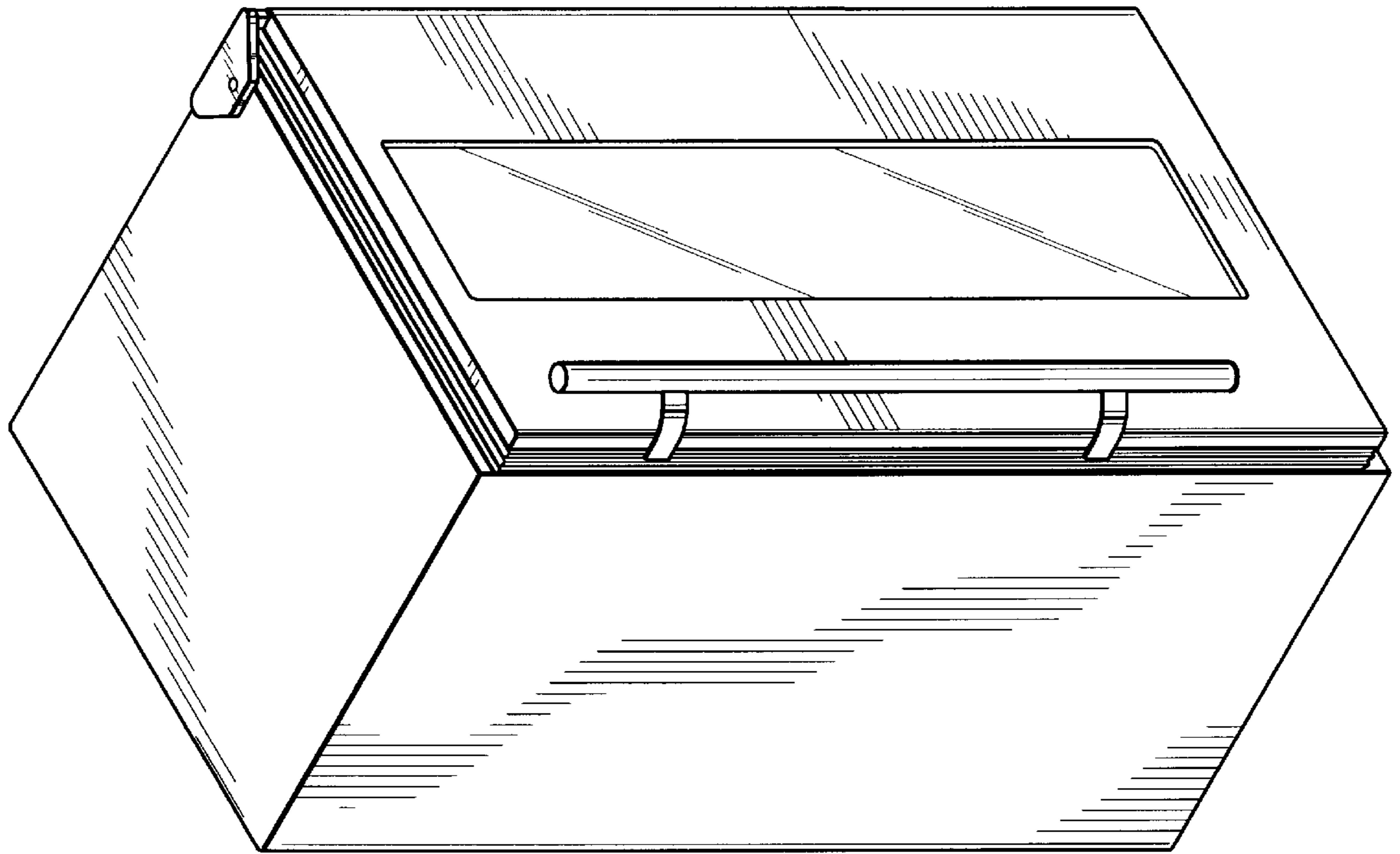


Fig. 1

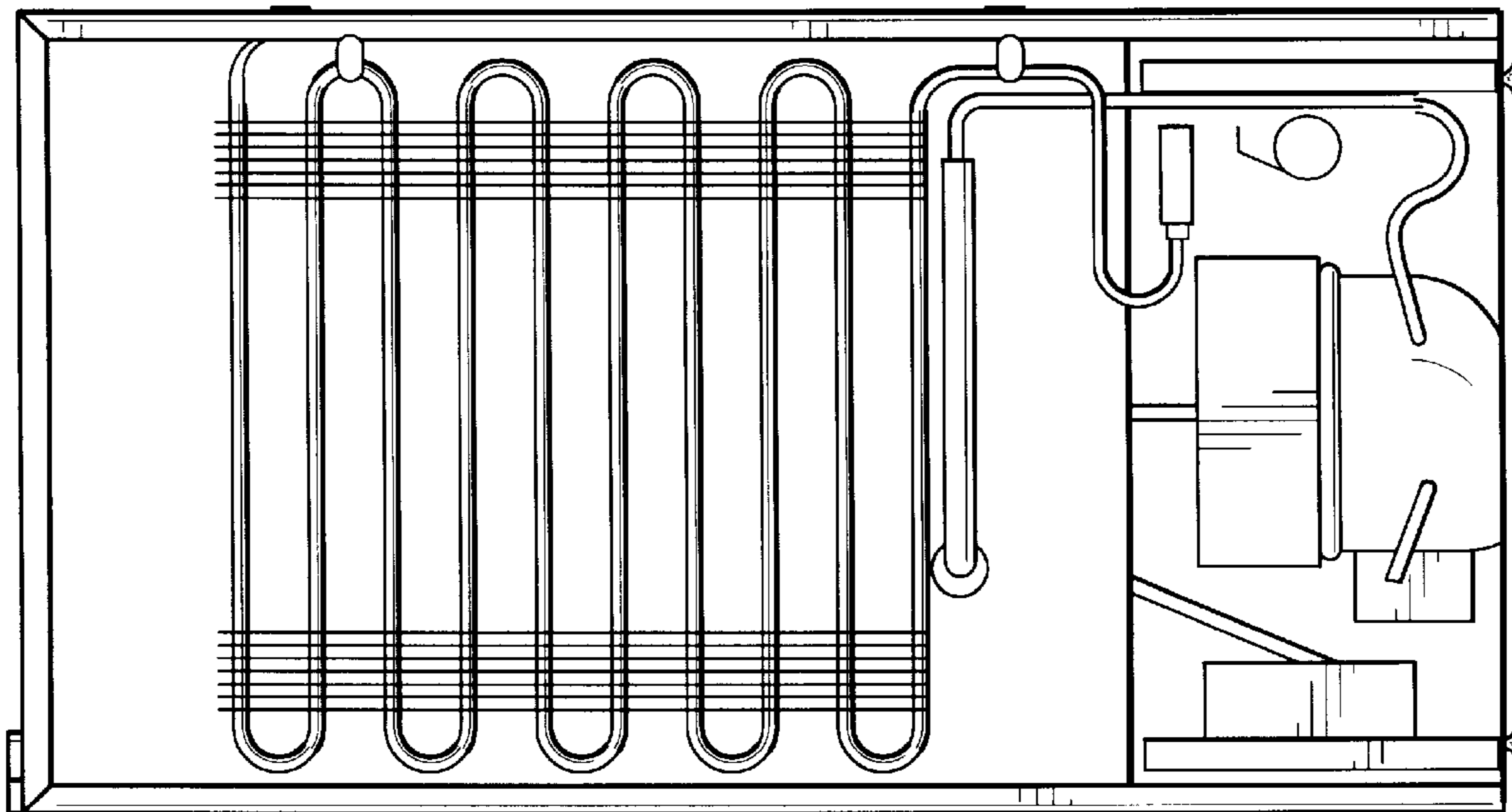


Fig.3

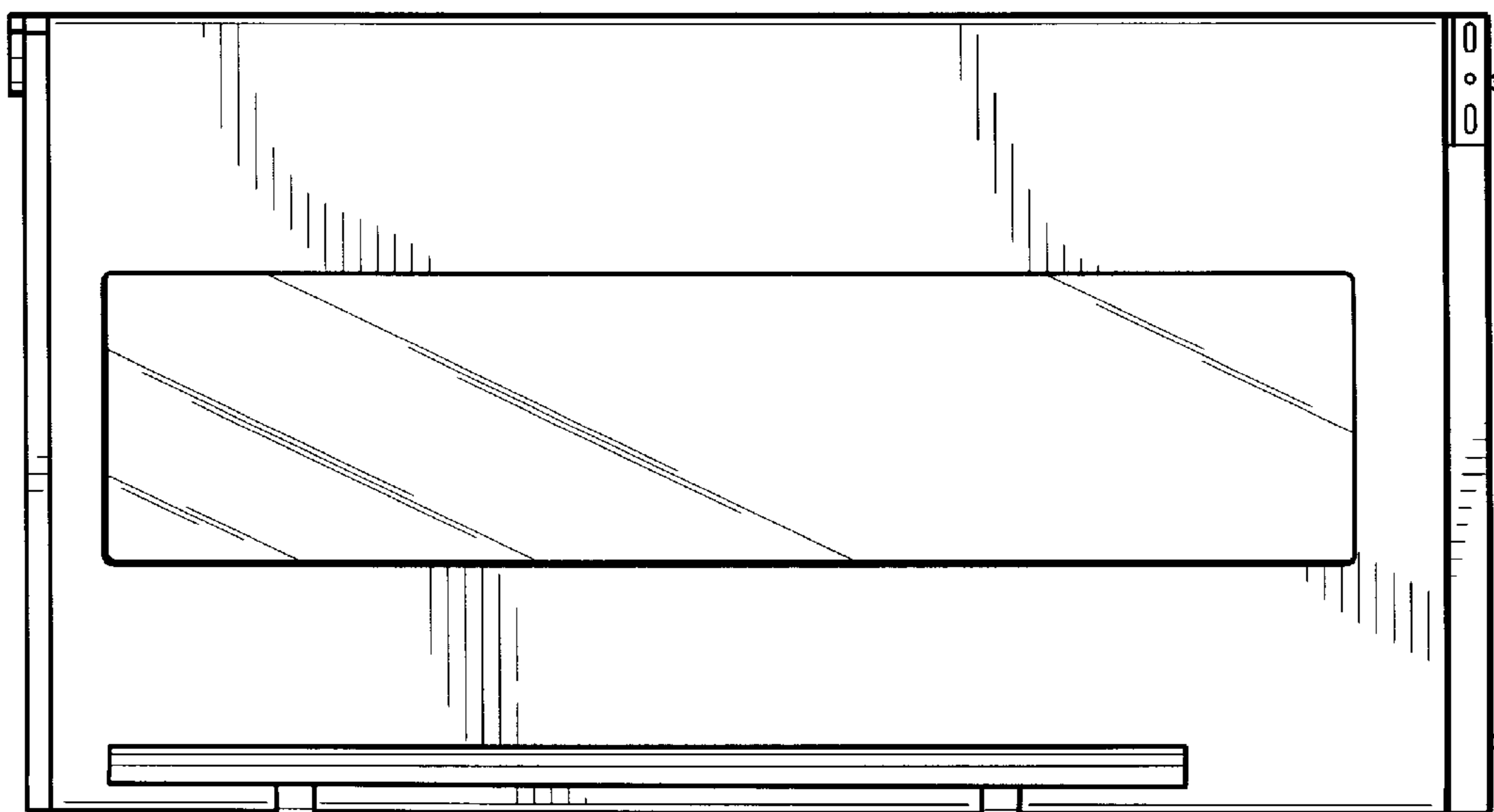


Fig.2

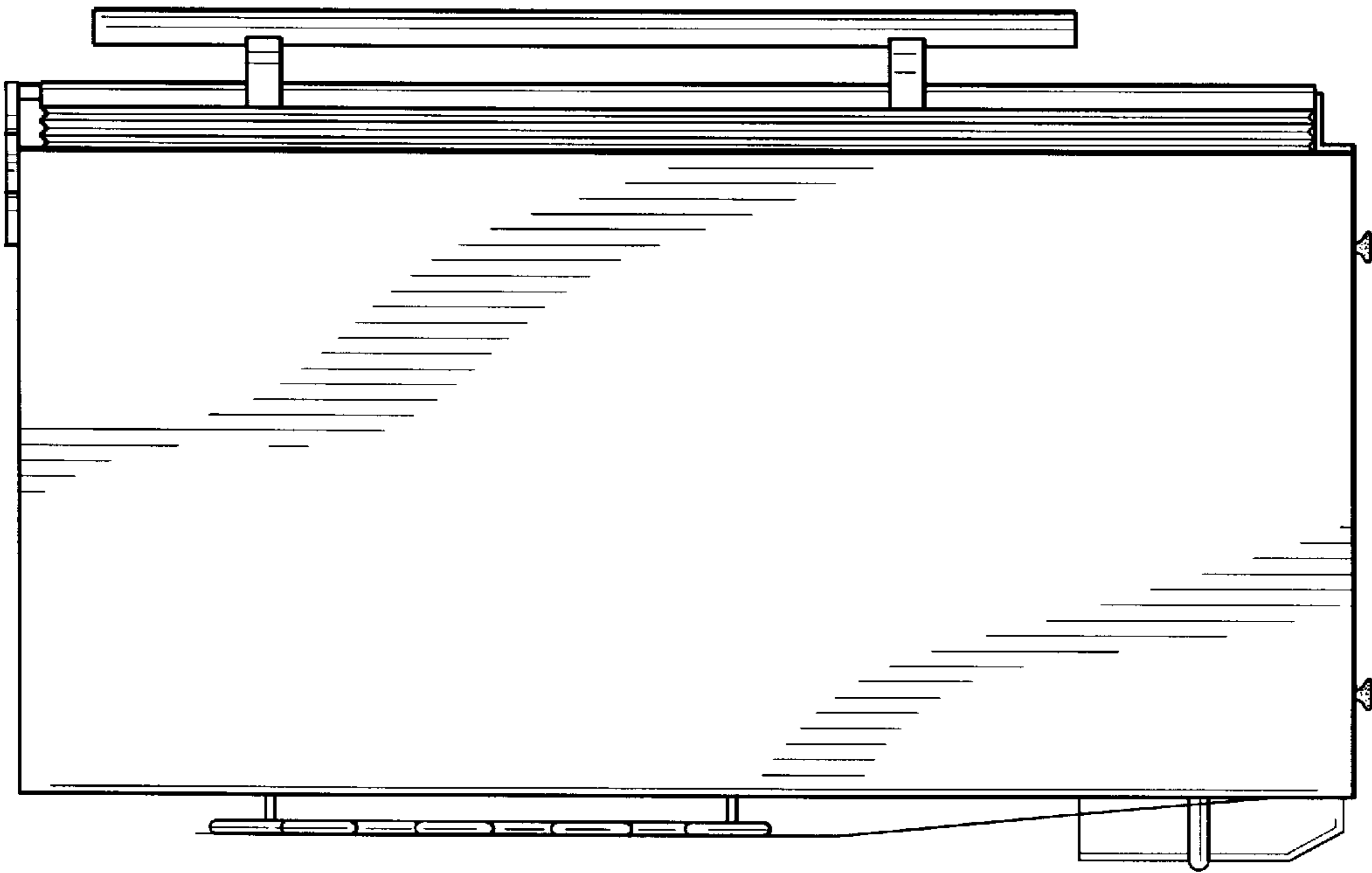


Fig.5

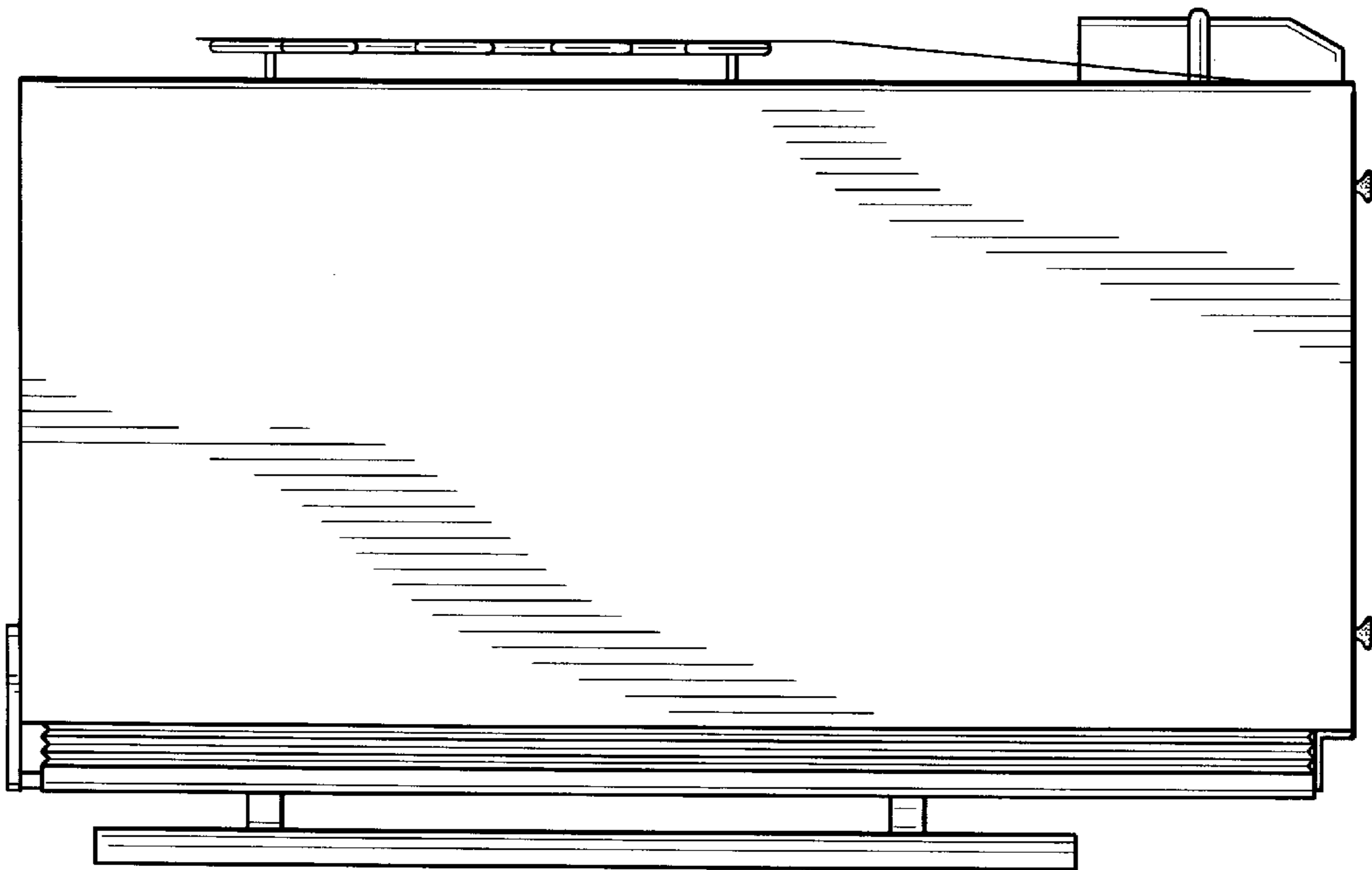


Fig.4

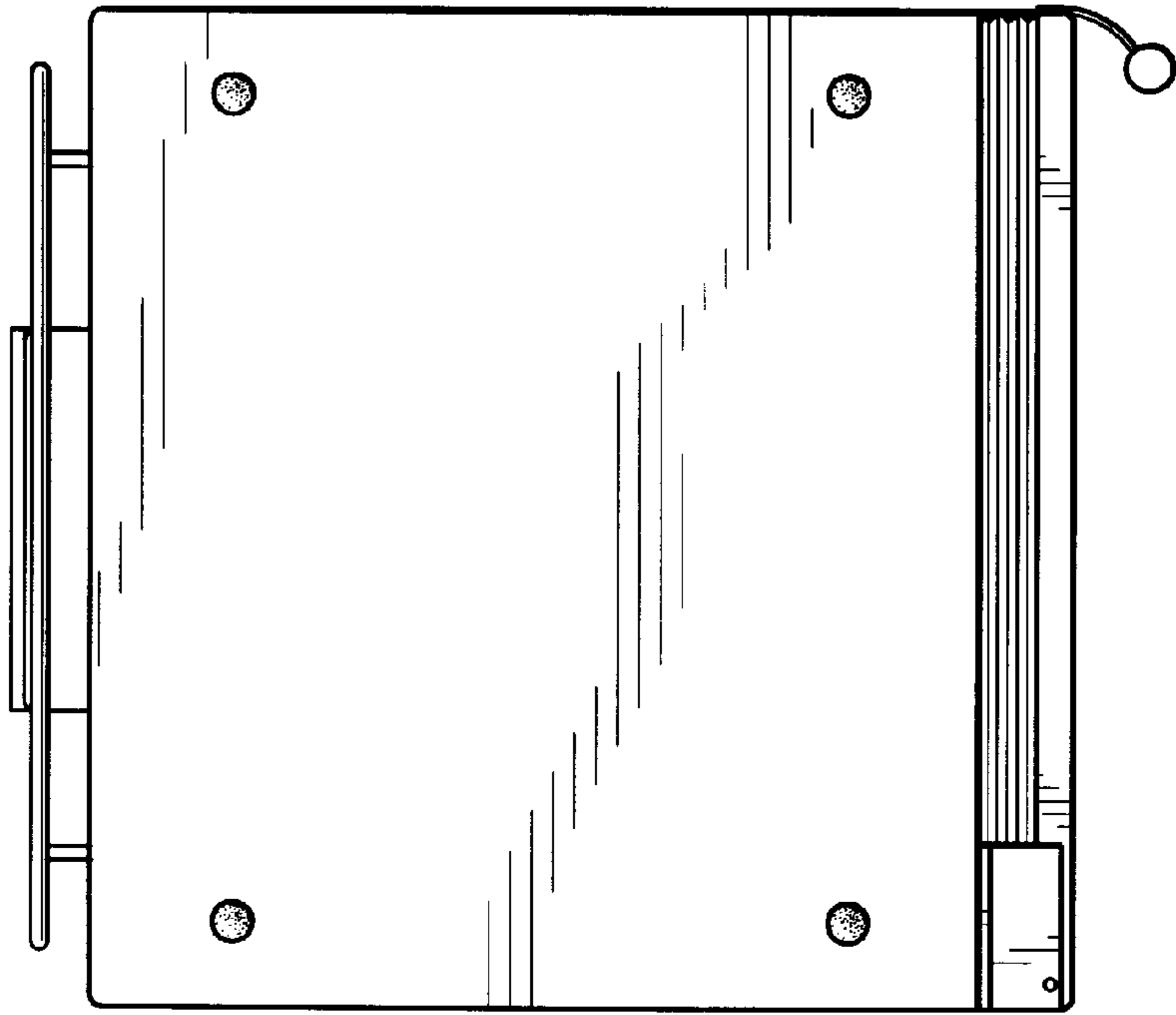


Fig. 6

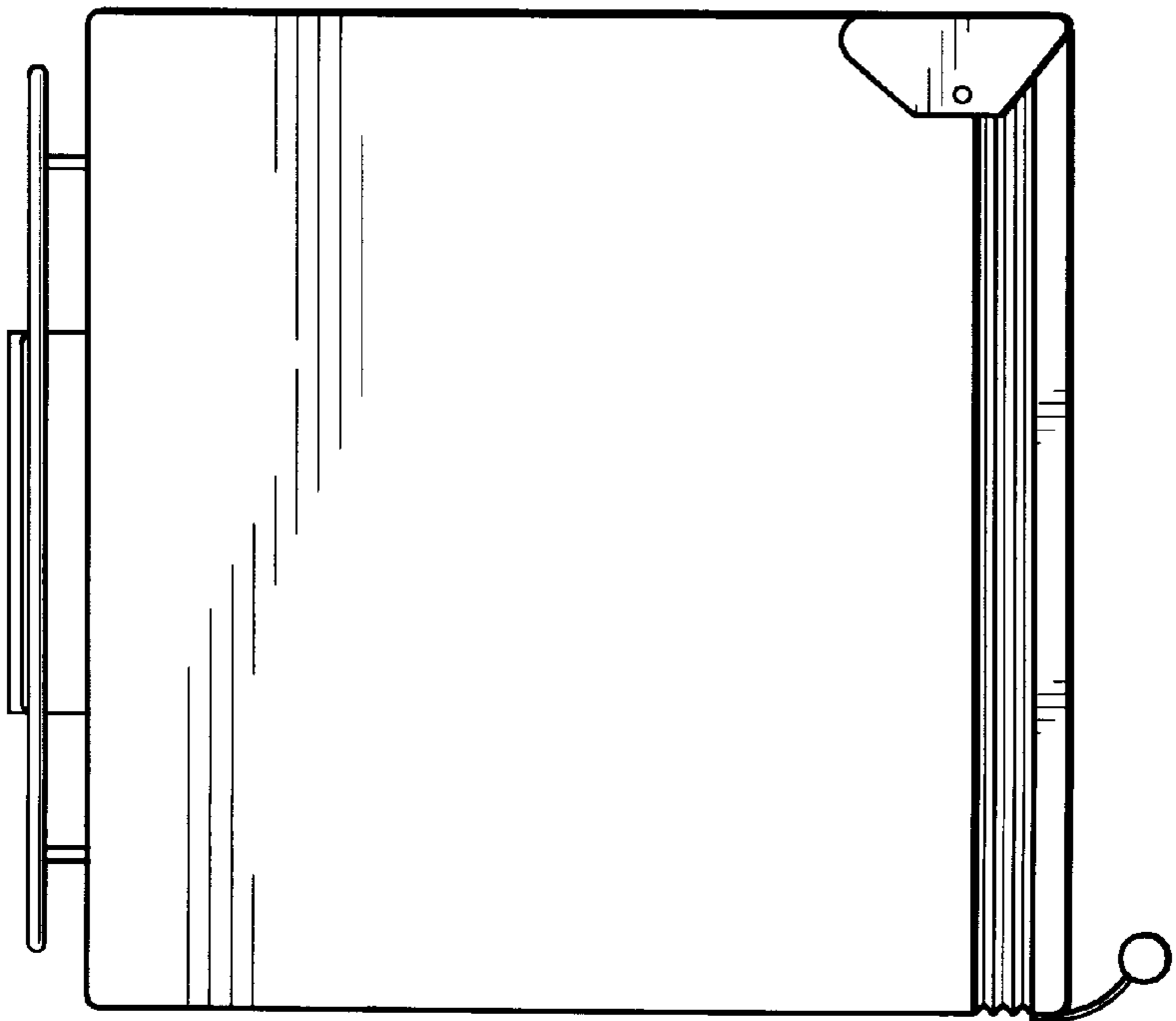


Fig. 7