



US00D453165S

(12) **United States Design Patent**  
**Takahashi et al.**

(10) **Patent No.:** **US D453,165 S**  
(45) **Date of Patent:** **\*\* Jan. 29, 2002**

- (54) **FACSIMILE MACHINE**
- (75) Inventors: **Shin Takahashi; Akira Haranaka,**  
both of Nara-ken (JP)
- (73) Assignee: **Sharp Kabushiki Kaisha, Osaka (JP)**
- (\*\*) Term: **14 Years**
- (21) Appl. No.: **29/144,098**
- (22) Filed: **Jun. 27, 2001**
- (30) **Foreign Application Priority Data**  
Dec. 27, 2000 (JP) ..... 2000-037212
- (51) **LOC (7) Cl.** ..... **16-03**
- (52) **U.S. Cl.** ..... **D14/468**
- (58) **Field of Search** ..... D14/462-471;  
358/400, 401, 402, 296, 474, 475, 487

- D385,266 S \* 10/1997 Matsushima ..... D14/468
- D407,083 S 3/1999 Yamamizu
- D411,531 S 6/1999 Hatanaka
- 6,040,919 A \* 3/2000 Iwata et al. .... 358/400
- D428,419 S 7/2000 Nakamura
- D434,045 S 11/2000 Nakamura
- D434,046 S 11/2000 Nakamura
- D438,869 S 3/2001 Nakamura
- D442,604 S 5/2001 Nakamura
- D443,620 S 6/2001 Nakamura et al.

\* cited by examiner

*Primary Examiner*—Prabhakar Deshmukh  
(74) *Attorney, Agent, or Firm*—Nixon & Vanderhye

(57) **CLAIM**

The ornamental design for a “facsimile machine”, as shown and described.

**DESCRIPTION**

FIG. 1 is a top, front and right side perspective view of a facsimile machine according to our design;  
FIG. 2 is a front elevational view thereof;  
FIG. 3 is a rear elevational view thereof;  
FIG. 4 is a top plan view thereof;  
FIG. 5 is a bottom plan view thereof;  
FIG. 6 is a right side elevational view thereof; and,  
FIG. 7 is a left side elevational view thereof.

**1 Claim, 7 Drawing Sheets**

- (56) **References Cited**  
**U.S. PATENT DOCUMENTS**
- 4,872,061 A \* 10/1989 Uchiyama ..... 358/400
- 4,914,281 A \* 4/1990 Benton et al. .... 235/492
- D322,608 S \* 12/1991 Makidera ..... D14/468
- 5,183,431 A \* 2/1993 Todokoro ..... 358/400
- D345,155 S \* 3/1994 Hiroki et al. .... D14/468
- D357,677 S 4/1995 Sawada et al.
- D376,793 S 12/1996 Satoh et al.
- D383,742 S 9/1997 Sawada et al.

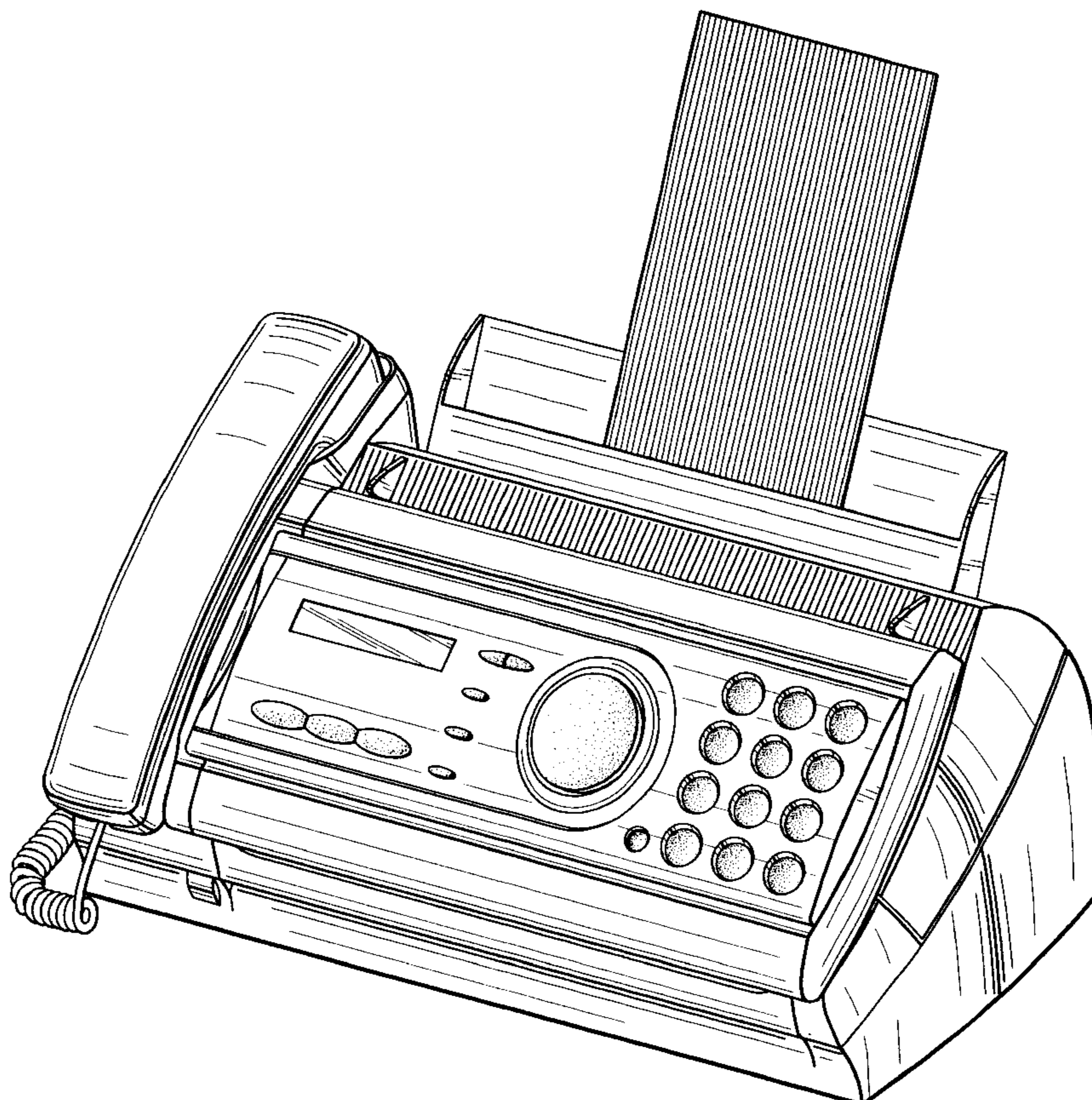
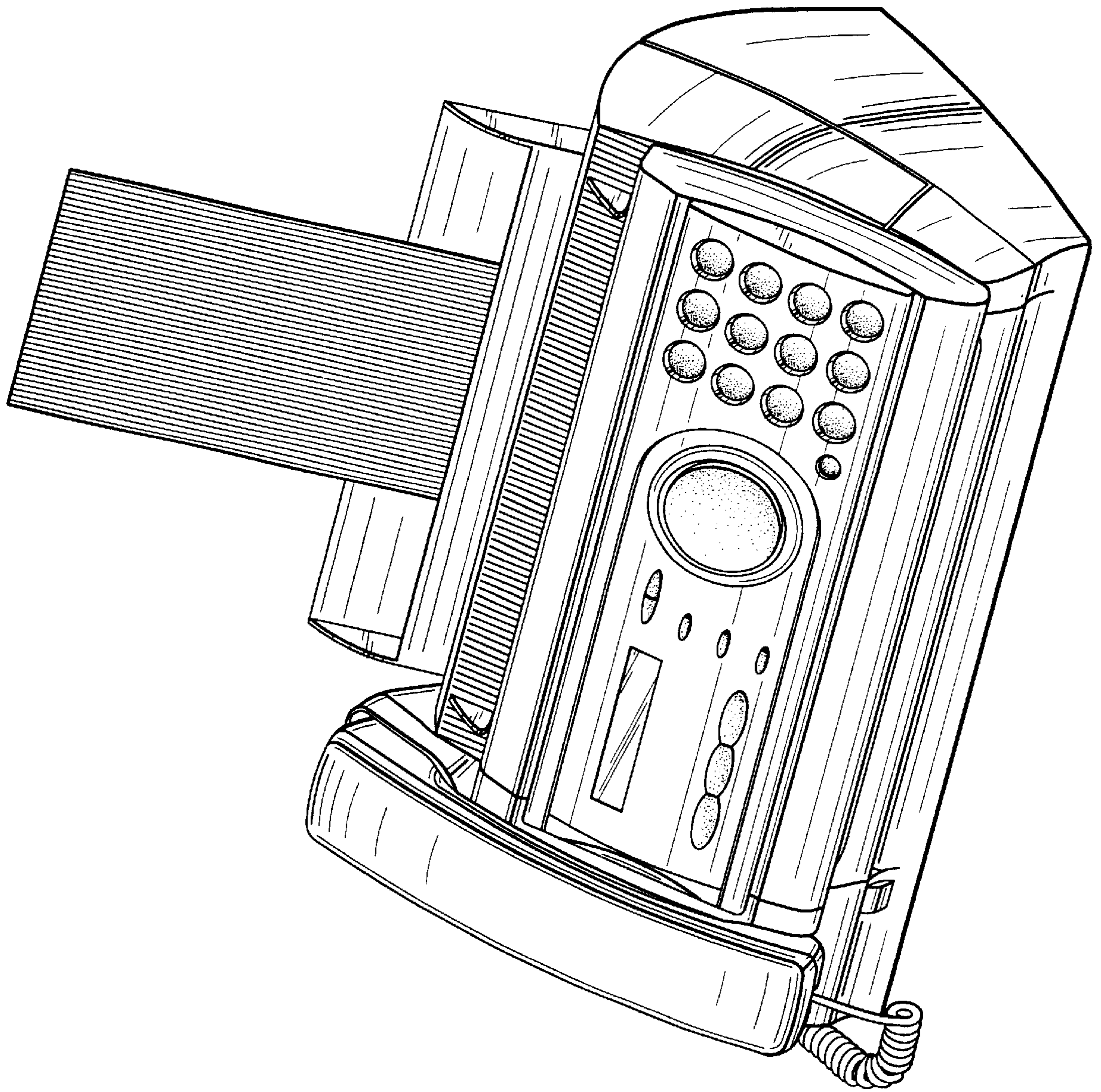


Fig.1



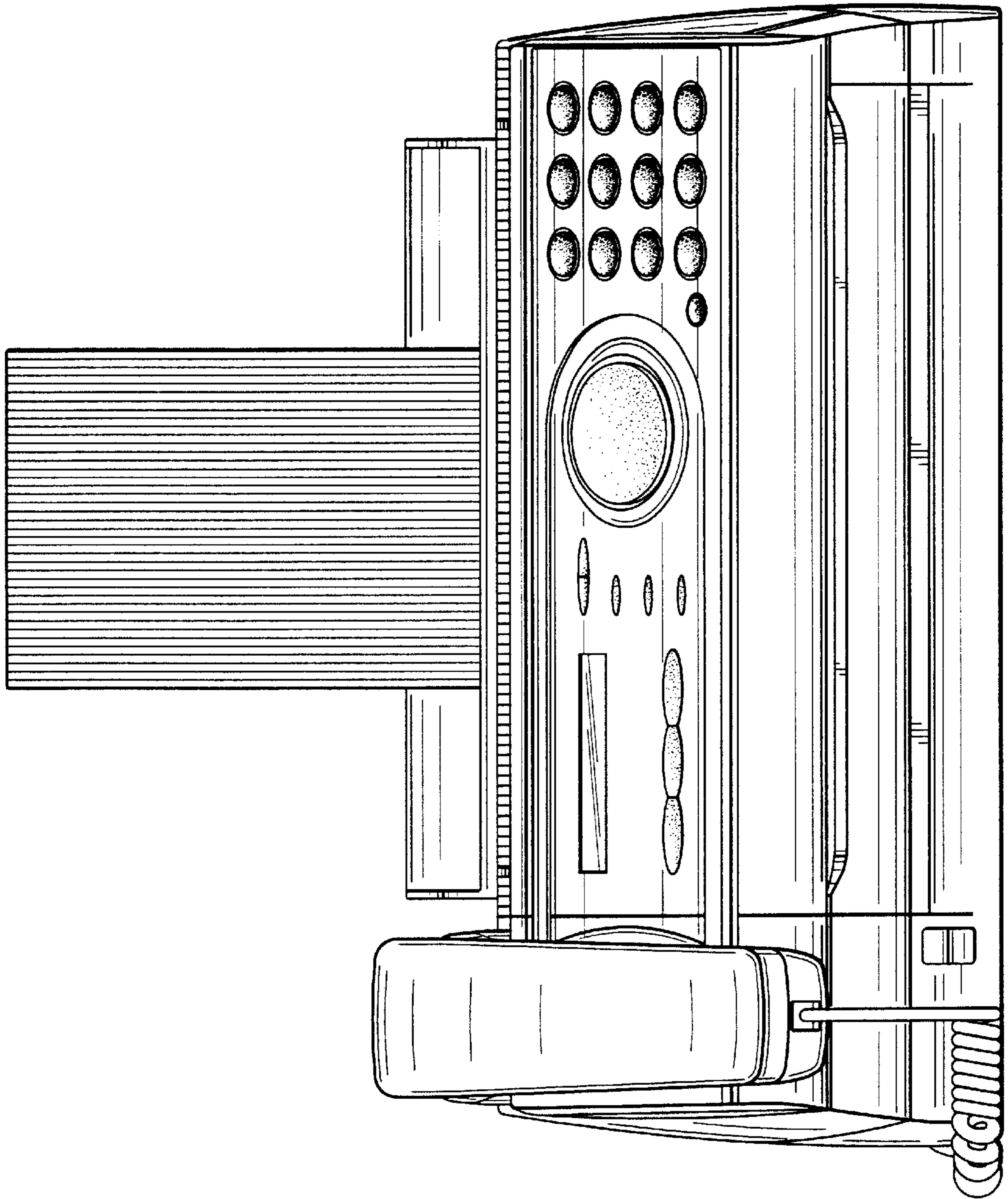


Fig.2

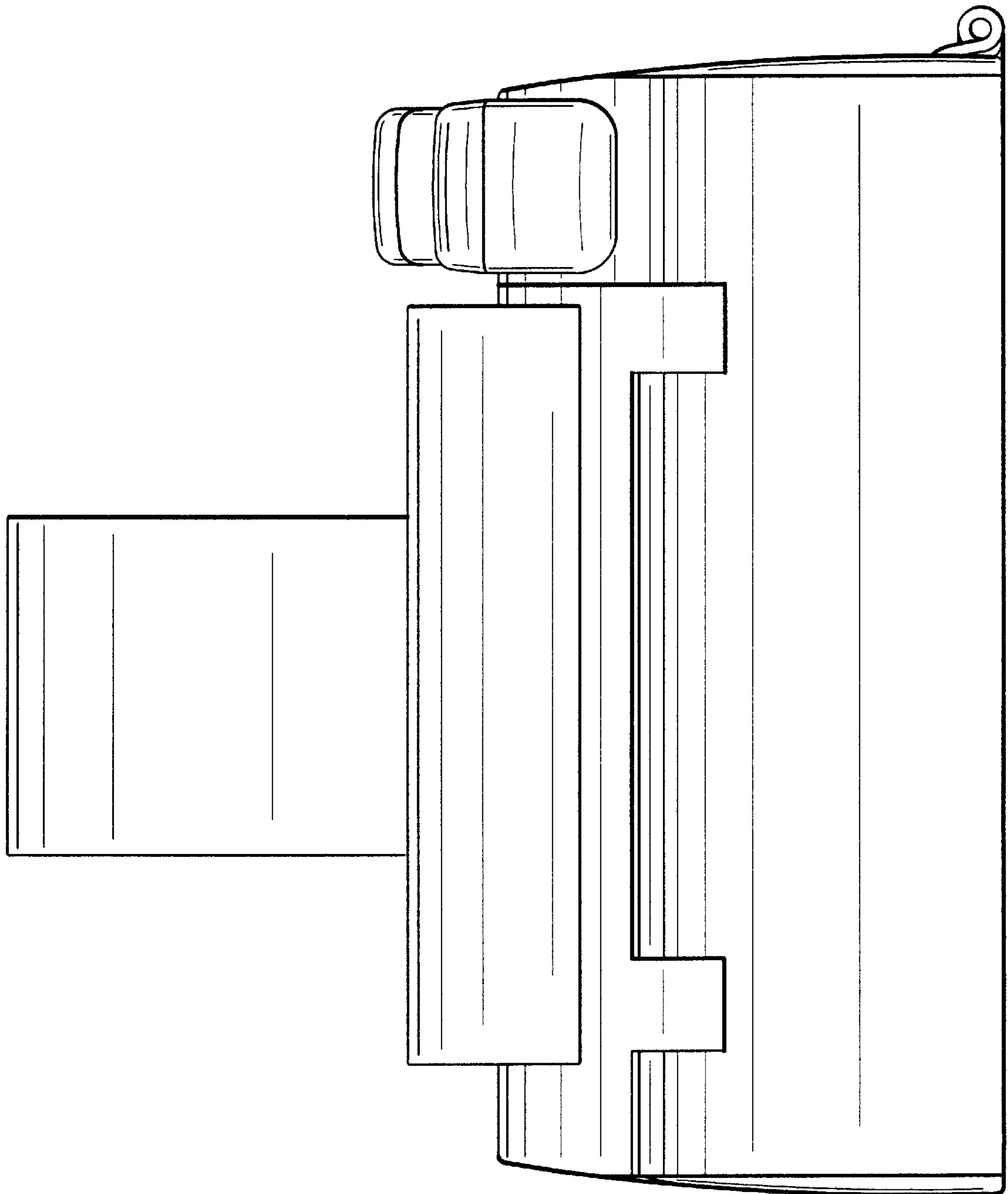


Fig. 3

Fig.4

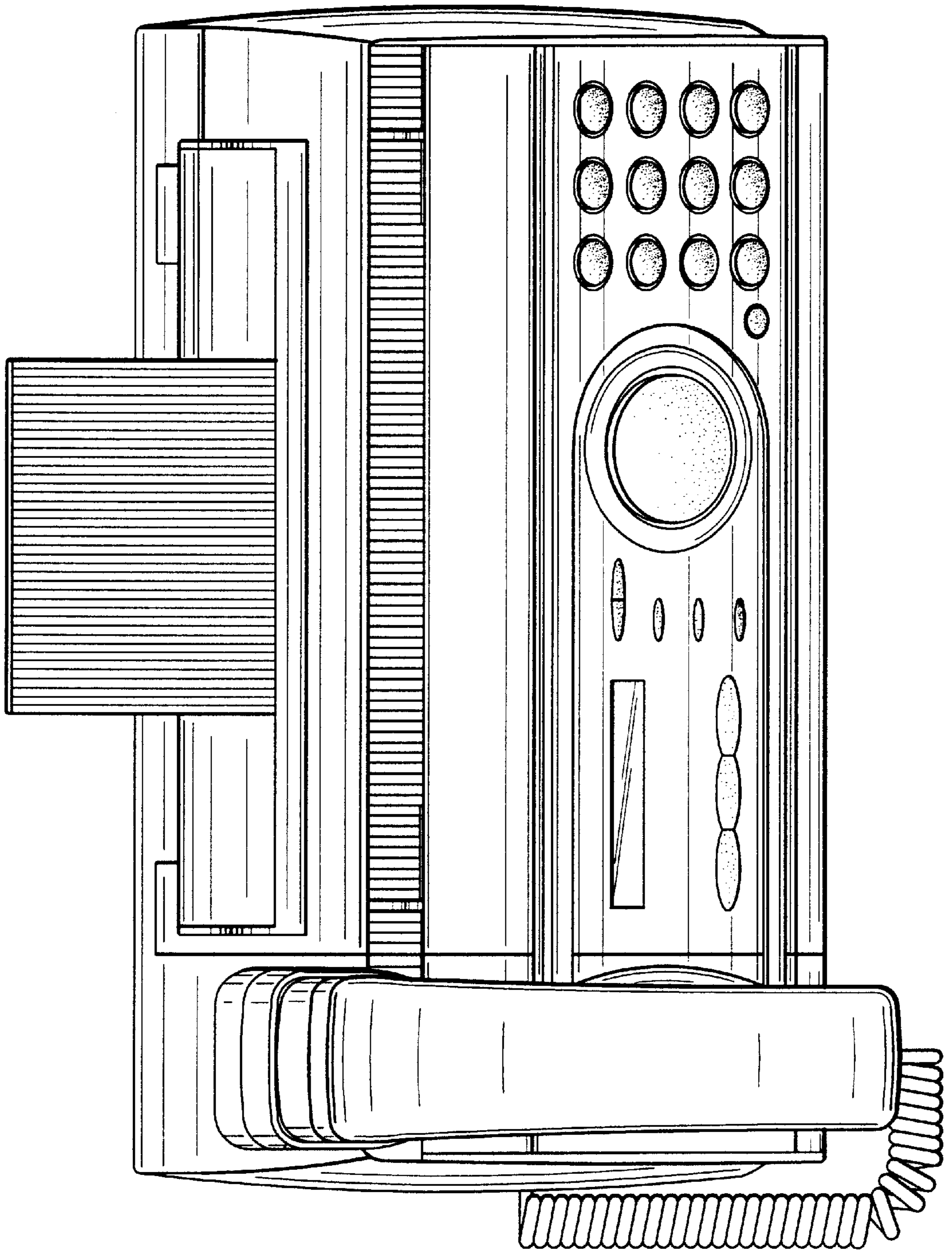
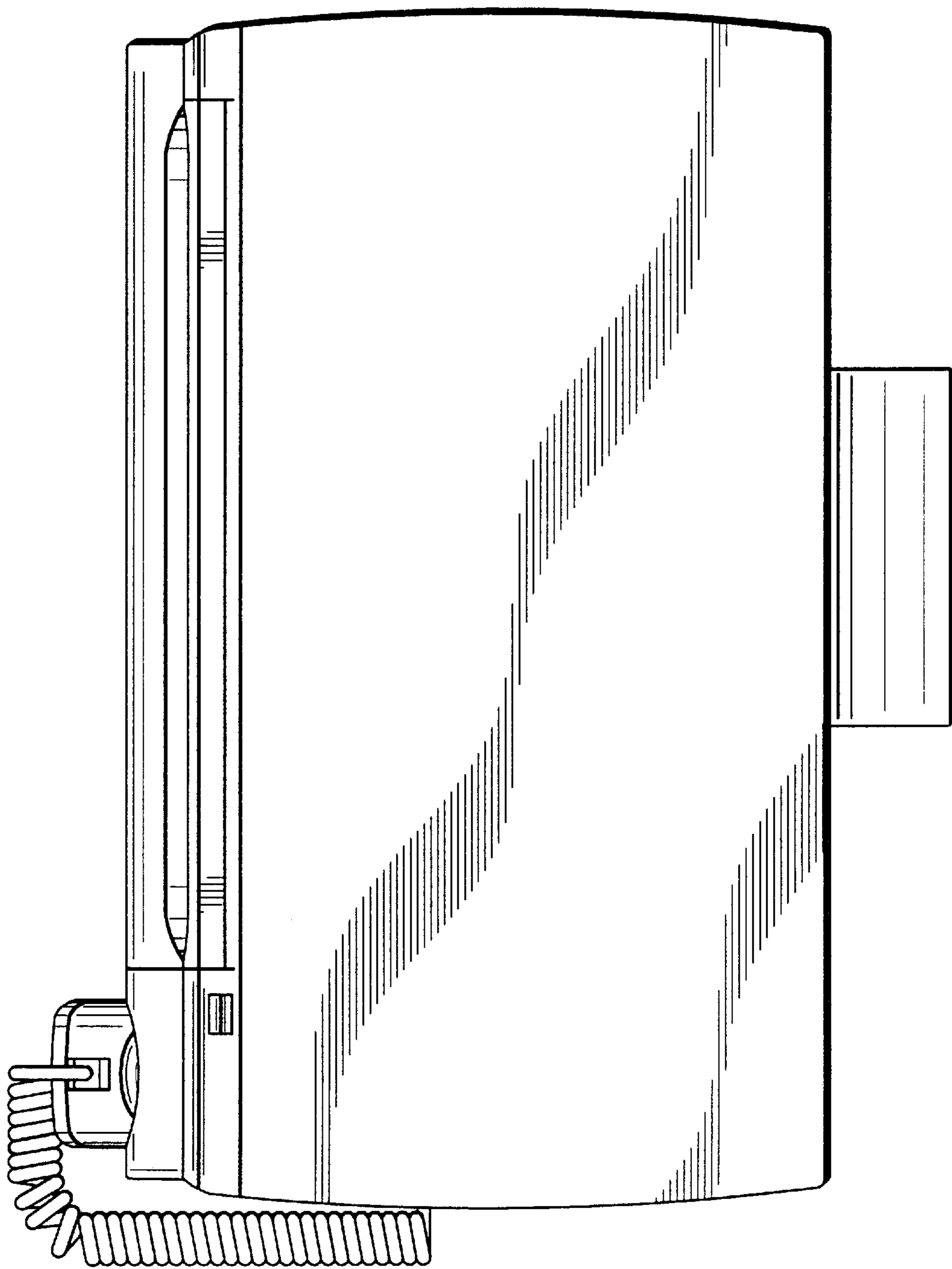


Fig. 5



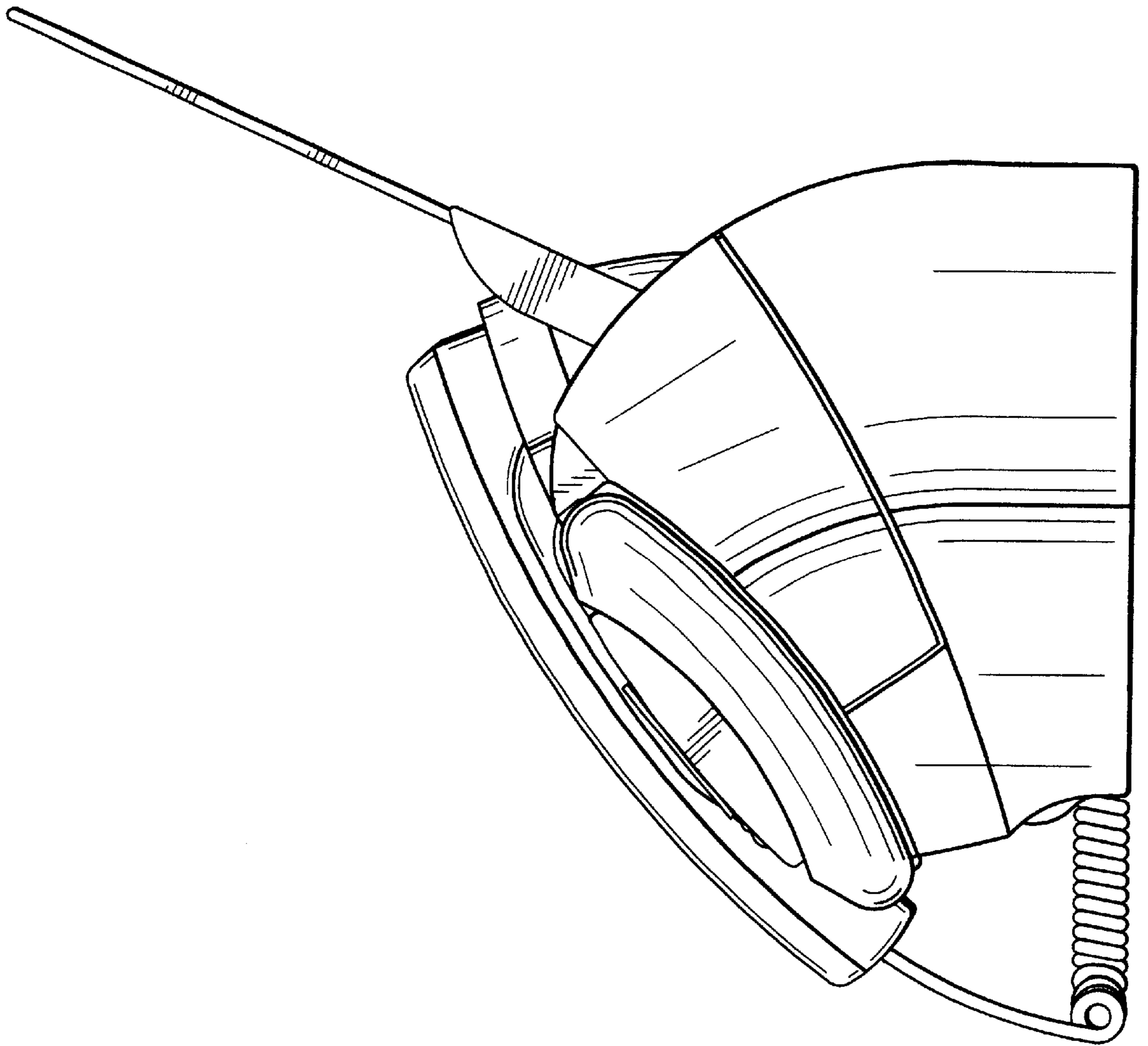


Fig.6

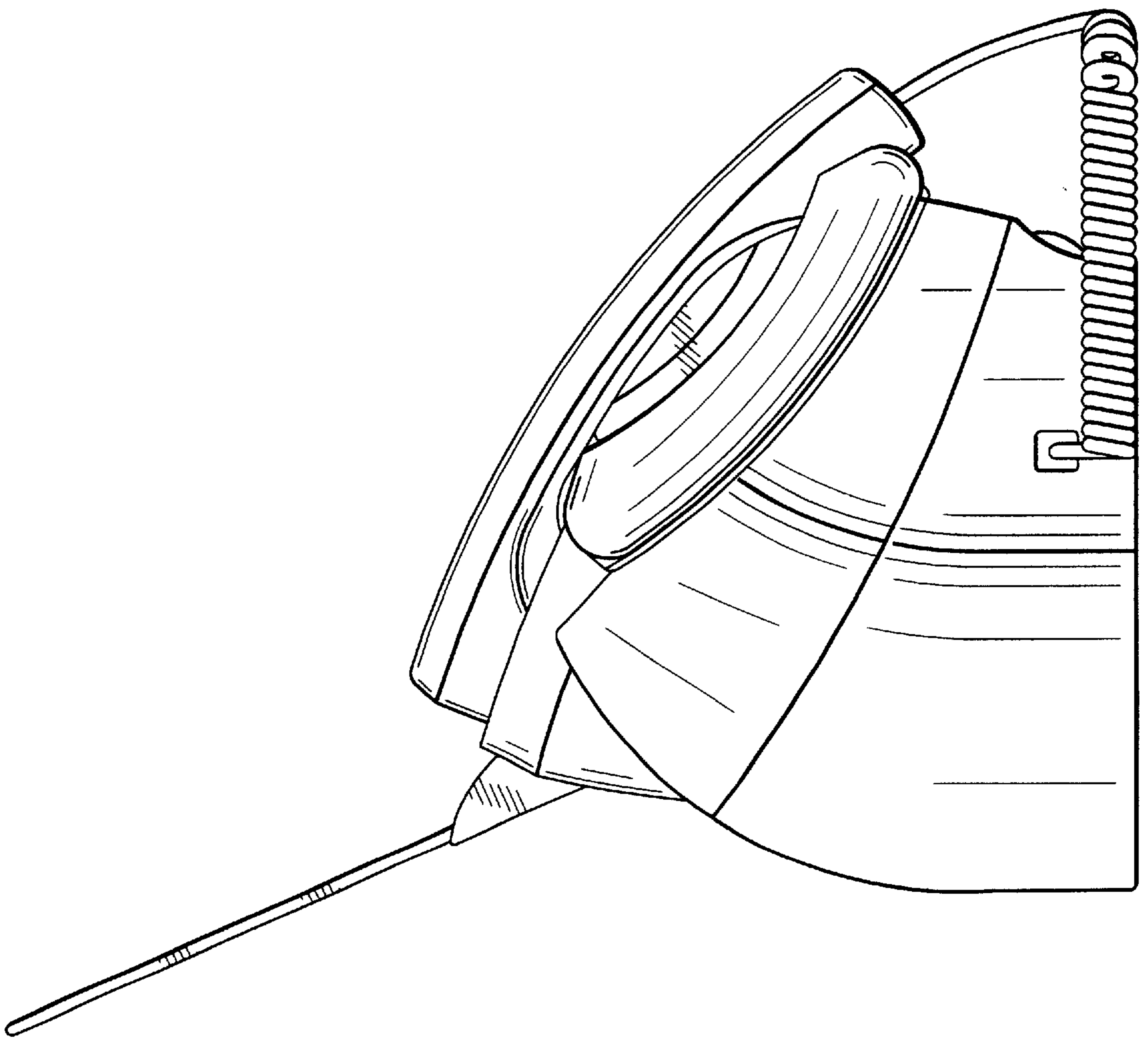


Fig. 7