



US00D453161S

(12) **United States Design Patent**
Pentz

(10) **Patent No.:** **US D453,161 S**

(45) **Date of Patent:** **** Jan. 29, 2002**

(54) **DATA CARD**

(75) Inventor: **Jamily Pentz**, Tega Cay, SC (US)

(73) Assignee: **Bank of America Corporation**,
Charlotte, NC (US)

(**) Term: **14 Years**

(21) Appl. No.: **29/141,688**

(22) Filed: **May 11, 2001**

(51) **LOC (7) Cl.** **14-02**

(52) **U.S. Cl.** **D14/436; D19/10**

(58) **Field of Search** **D14/432, 435,**
D14/436; 283/106, 107, 108, 75, 900, 904;
D19/9, 10

(56) **References Cited**

U.S. PATENT DOCUMENTS

3,230,650	A	1/1966	Orkin	
4,079,883	A	3/1978	Calder	
4,338,805	A	7/1982	Nygren	
4,443,027	A	4/1984	McNeely et al.	
4,682,794	A *	7/1987	Margolin	283/82
4,711,996	A *	12/1987	Drexler	235/468
4,914,281	A	4/1990	Benton et al.	

(List continued on next page.)

FOREIGN PATENT DOCUMENTS

WO WO 93/11510 A1 6/1993

OTHER PUBLICATIONS

Identification cards—Physical characteristics, ISO/IEC, 7810: 1995(E).

Identification cards—Recording technique—Part 2: Magnetic stripe—Low coercivity, ISO/IEC, 7811-2: 2001(E).

Identification cards—Recording technique—Part 3: Location of embossed characters on ID-1 cards, ISO/IEC, 7811-3: 1995(E).

(List continued on next page.)

Primary Examiner—Kay H. Chin

(74) *Attorney, Agent, or Firm*—Michael A. Springs;
Covington & Burling

(57) **CLAIM**

The ornamental design for a data card, as shown and described.

DESCRIPTION

FIG. 1 is a perspective view of a data card showing my new design;

FIG. 2 is a top plan view thereof;

FIG. 3 is a front elevational view thereof;

FIG. 4 is a left elevational view thereof;

FIG. 5 is a right elevational view thereof;

FIG. 6 is a rear elevational view thereof;

FIG. 7 is a bottom plan view thereof;

FIG. 8 is a perspective view of a second embodiment of a data card;

FIG. 9 is a top plan view thereof;

FIG. 10 is a front elevational view thereof;

FIG. 11 is a rear elevational view thereof;

FIG. 12 is a left elevational view thereof;

FIG. 13 is a right elevational view thereof;

FIG. 14 is a bottom plan view thereof;

FIG. 15 is a perspective view of a third embodiment of a data card;

FIG. 16 is a top plan view thereof;

FIG. 17 is a front elevational view thereof;

FIG. 18 is a left elevational view thereof;

FIG. 19 is a right elevational view thereof;

FIG. 20 is a rear elevational view thereof;

FIG. 21 is a bottom plan view thereof;

FIG. 22 is a perspective view of a fourth embodiment of a data card showing my new design;

FIG. 23 is a top plan view thereof;

FIG. 24 is a front elevational view thereof;

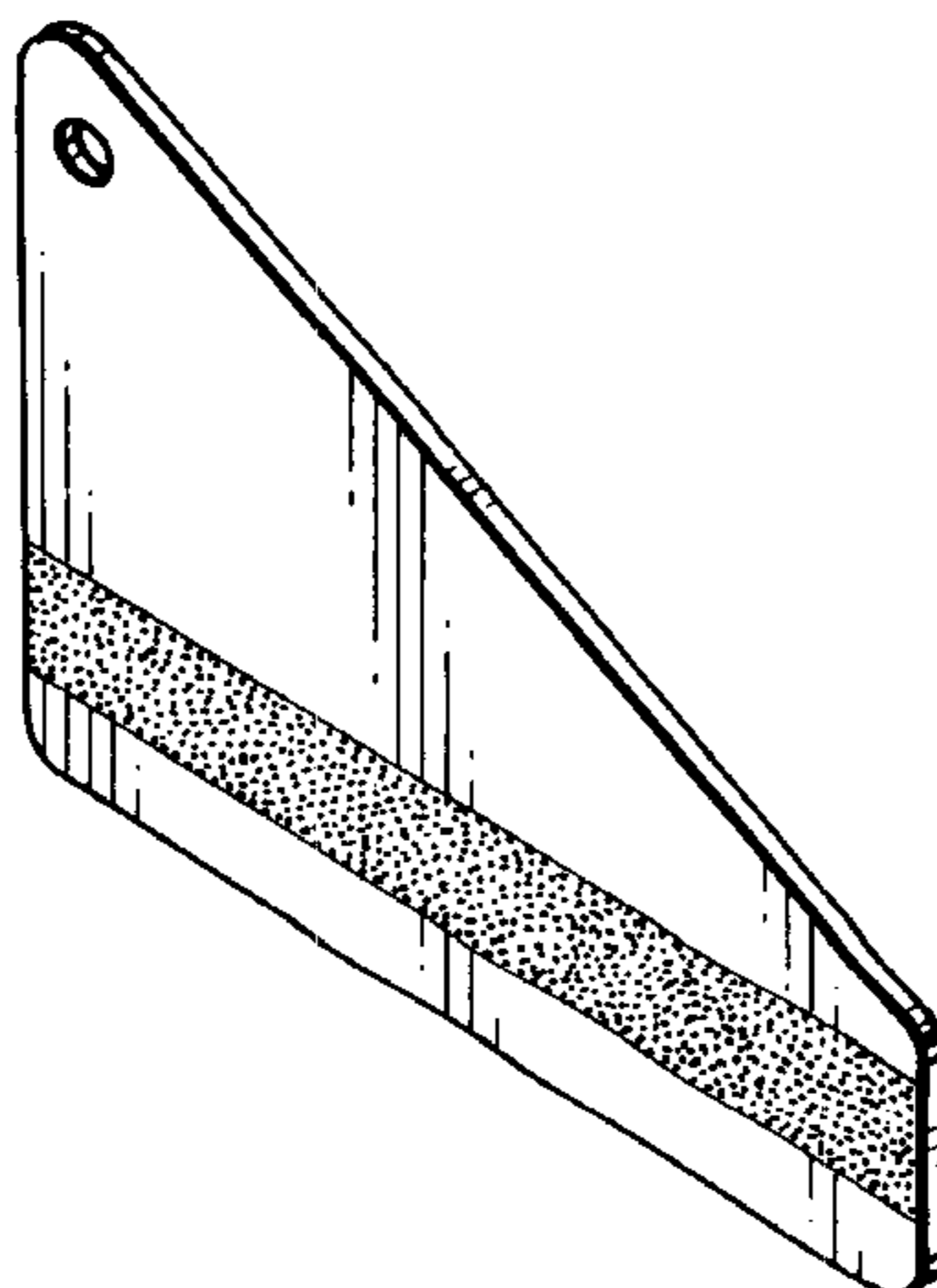
FIG. 25 is a left elevational view thereof;

FIG. 26 is a right elevational view thereof;

FIG. 27 is a rear elevational view thereof; and,

FIG. 28 is a bottom plan view thereof.

1 Claim, 4 Drawing Sheets



U.S. PATENT DOCUMENTS

5,061,845 A 10/1991 Pinnavaia
5,090,736 A * 2/1992 Minkus 283/77
5,096,228 A 3/1992 Rinderknecht
5,250,341 A 10/1993 Kobayashi et al.
5,255,941 A * 10/1993 Solomon 283/82
5,700,037 A 12/1997 Keller
5,844,230 A 12/1998 Lalonde
D406,861 S * 3/1999 Leedy, Jr. D19/10
D420,658 S * 2/2000 Eyler D14/436
6,196,594 B1 * 3/2001 Keller 283/82

OTHER PUBLICATIONS

Identification cards—Recording technique—Part 4: Location of read-only magnetic tracks—Tracks 1 and 2, ISO/IEC, 7811-4: 1995(E).
Identification cards—Recording technique—Part 5: Location of read-write magnetic track—Track 3, ISO/IEC, 7811-5: 1995(E).
Identification cards—Recording technique—Part 6: Magnetic stripe—High coercivity, ISO/IEC, 7811-6: 2001(E).
Photocopy of a Metro farecard.
Photocopy of grocery discount card (2 pages).
* cited by examiner

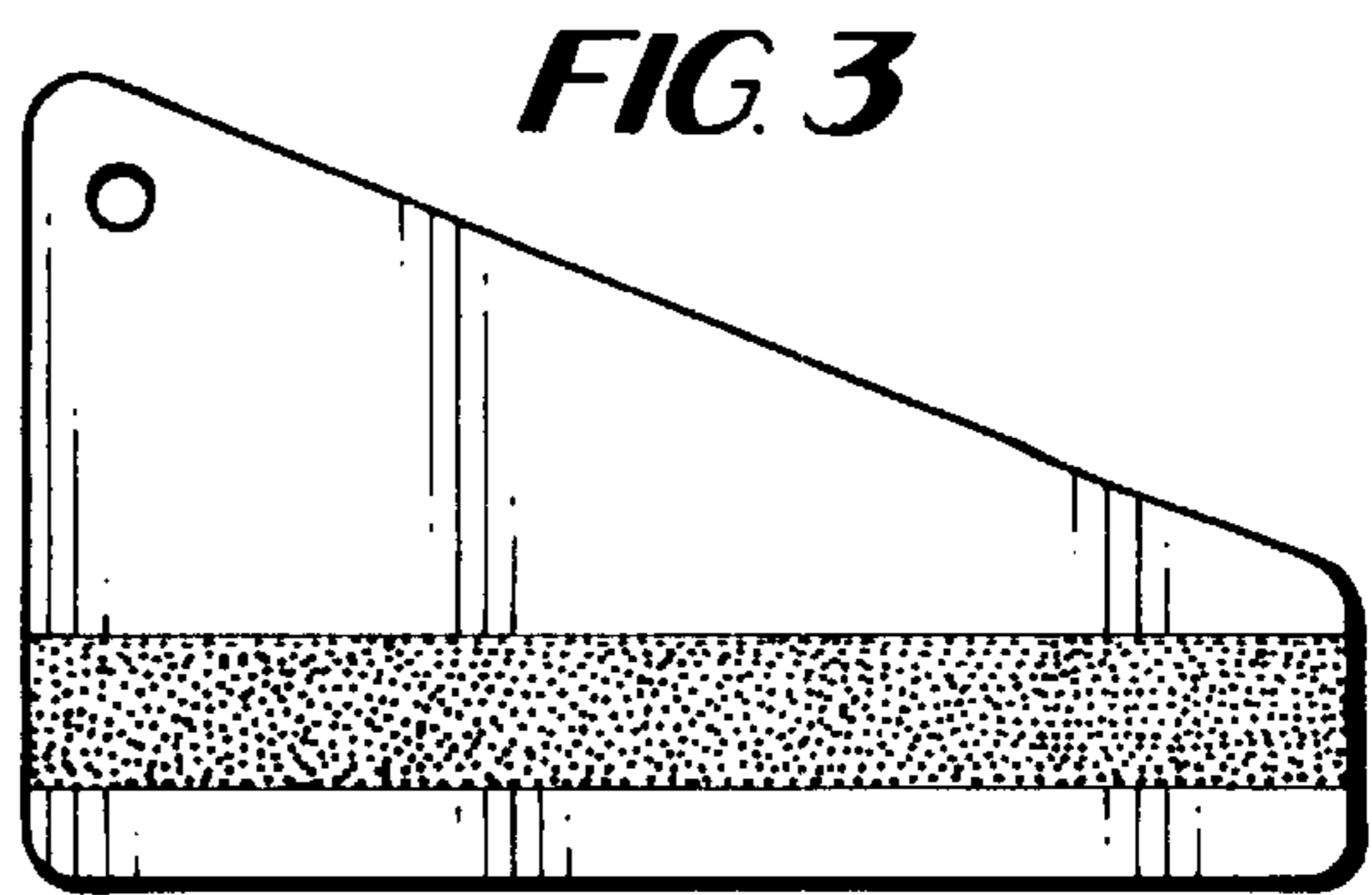
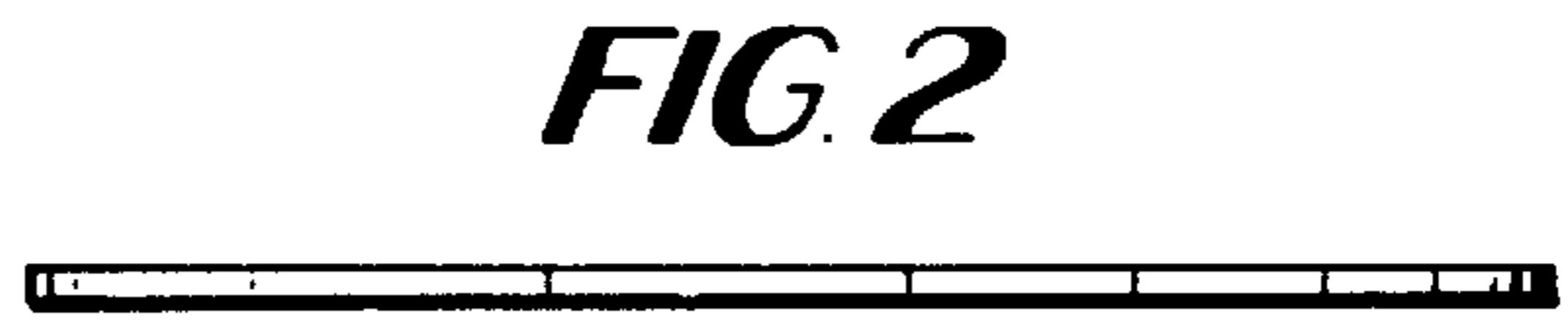
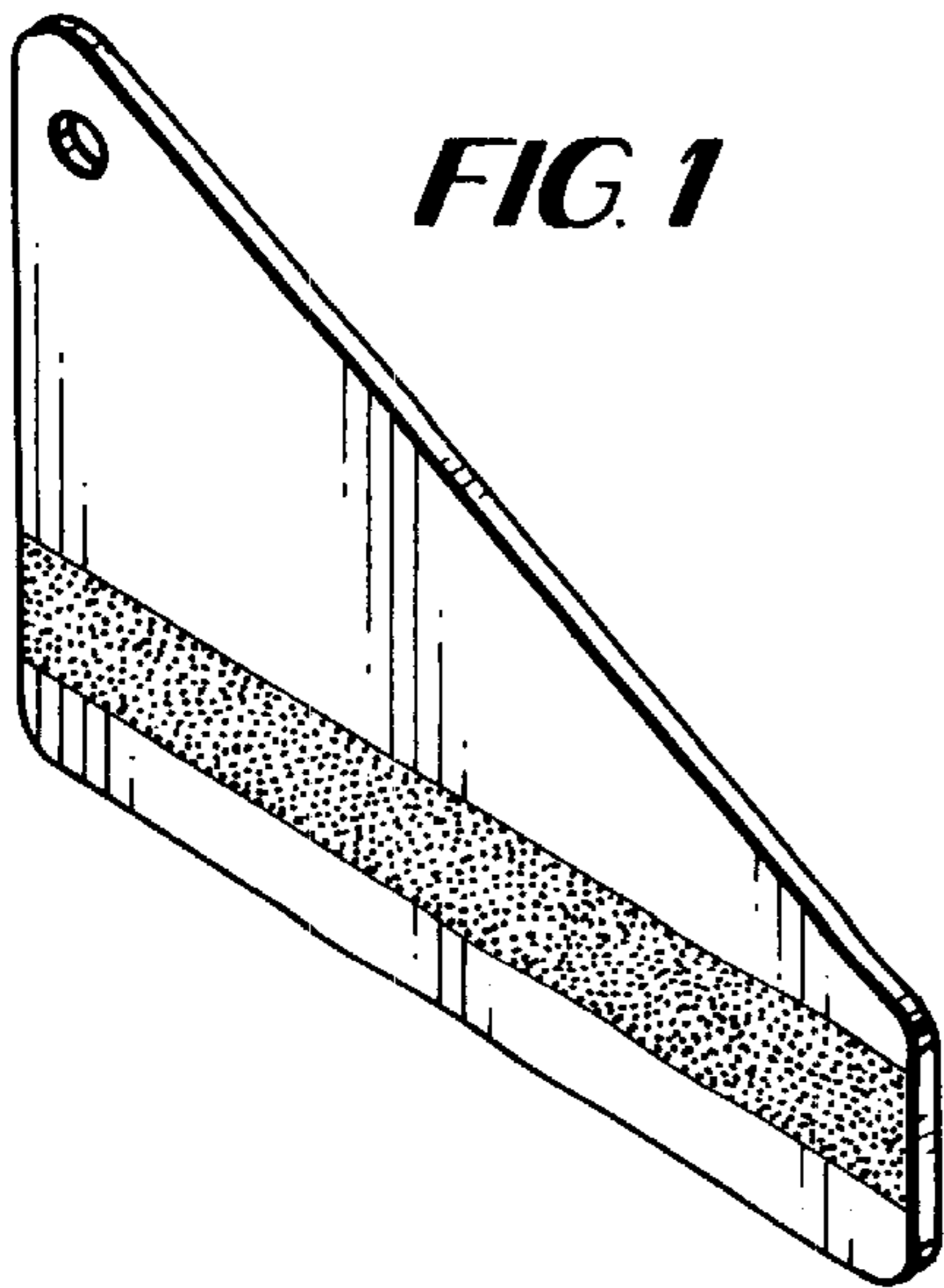


FIG. 4 FIG. 5

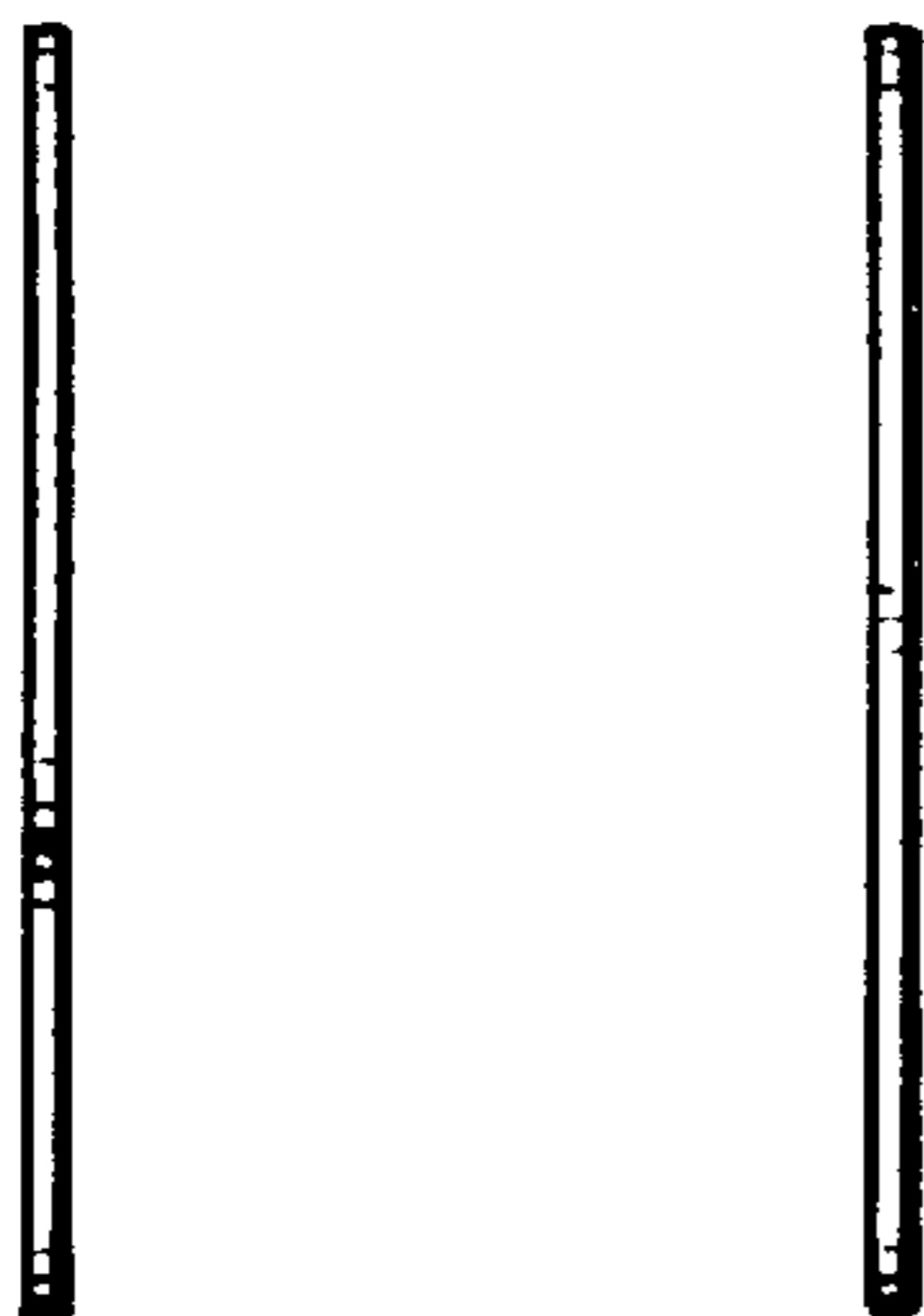


FIG. 6

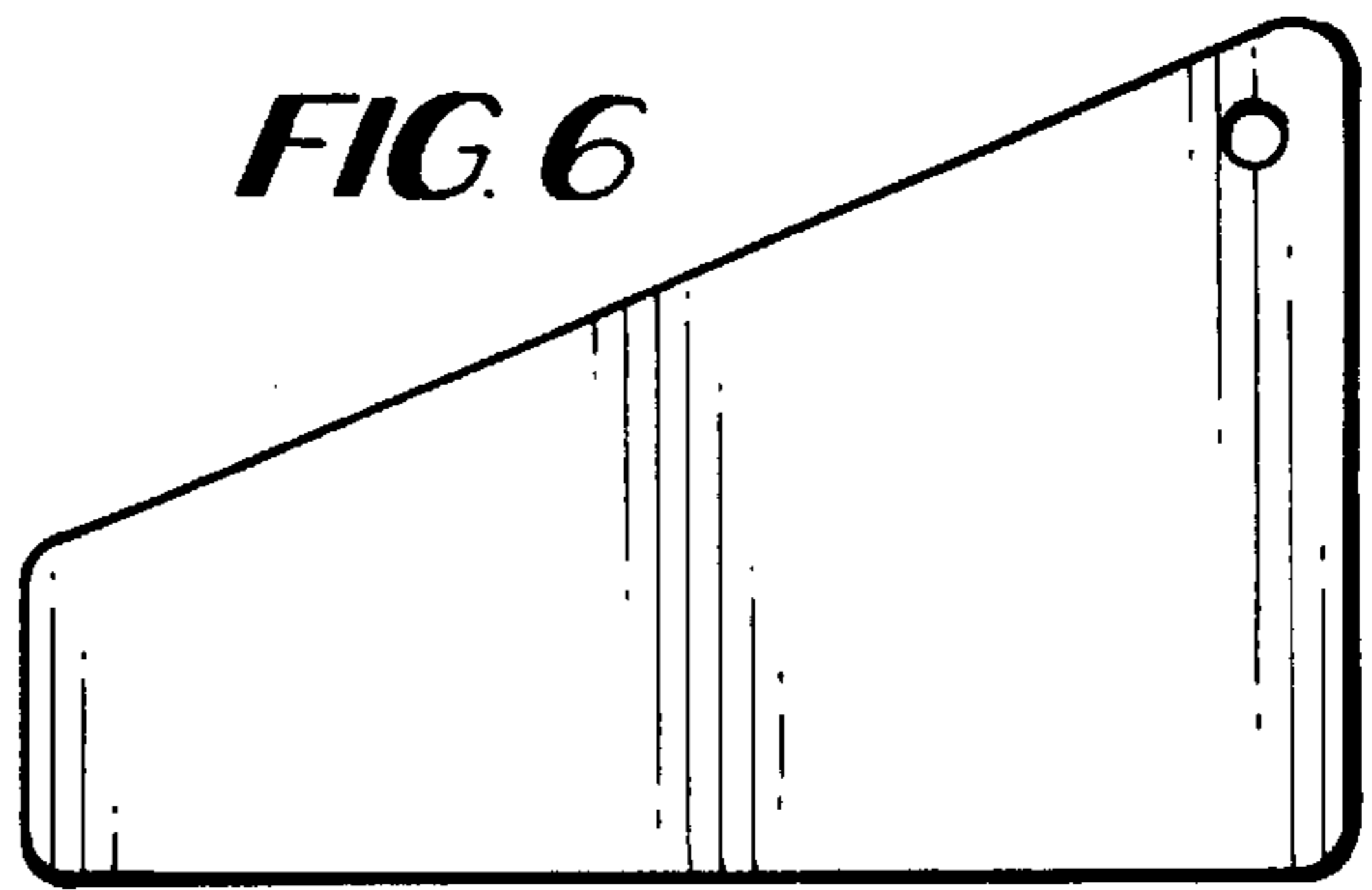


FIG. 7



FIG. 8

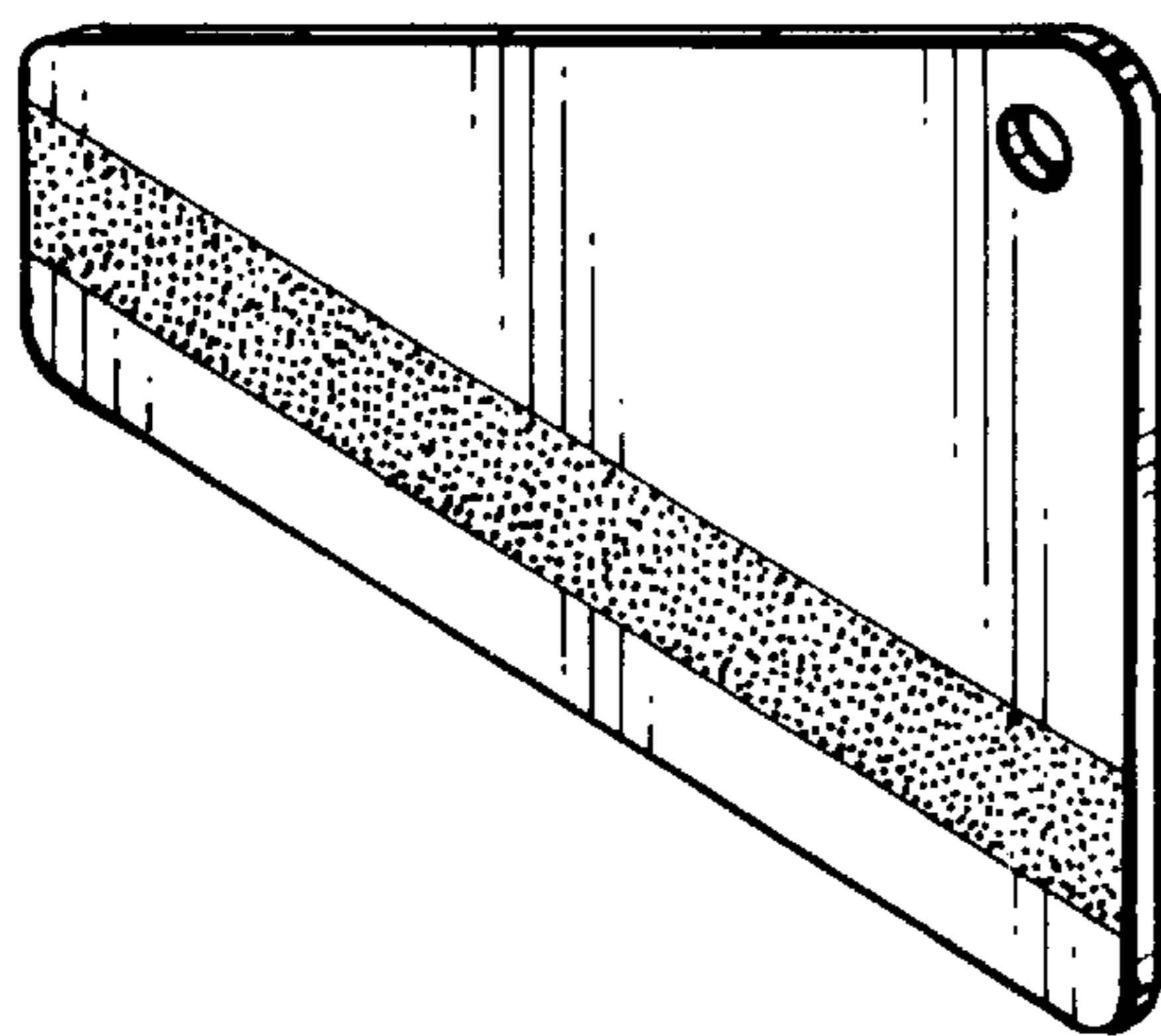


FIG. 9

FIG. 10

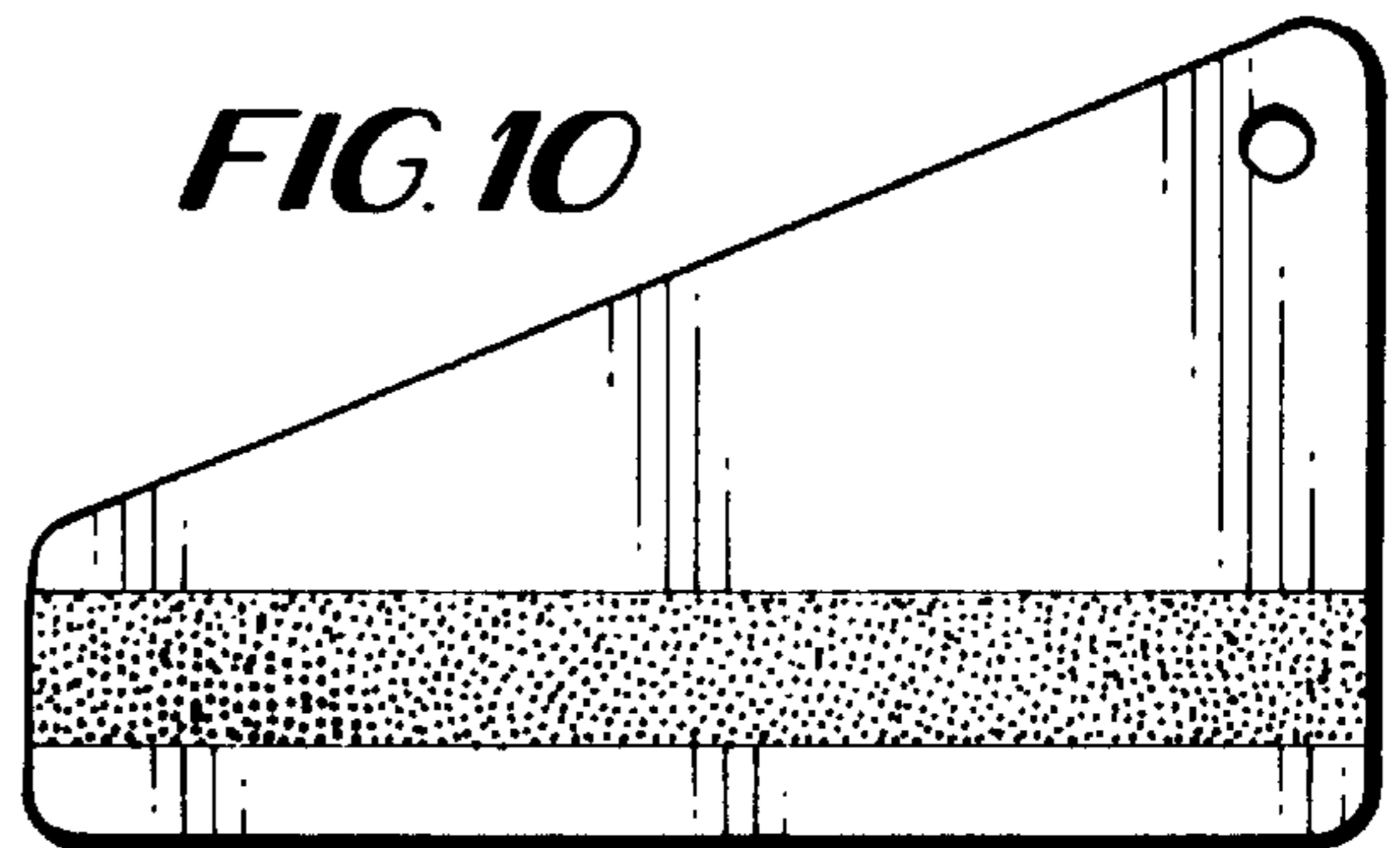


FIG. 11

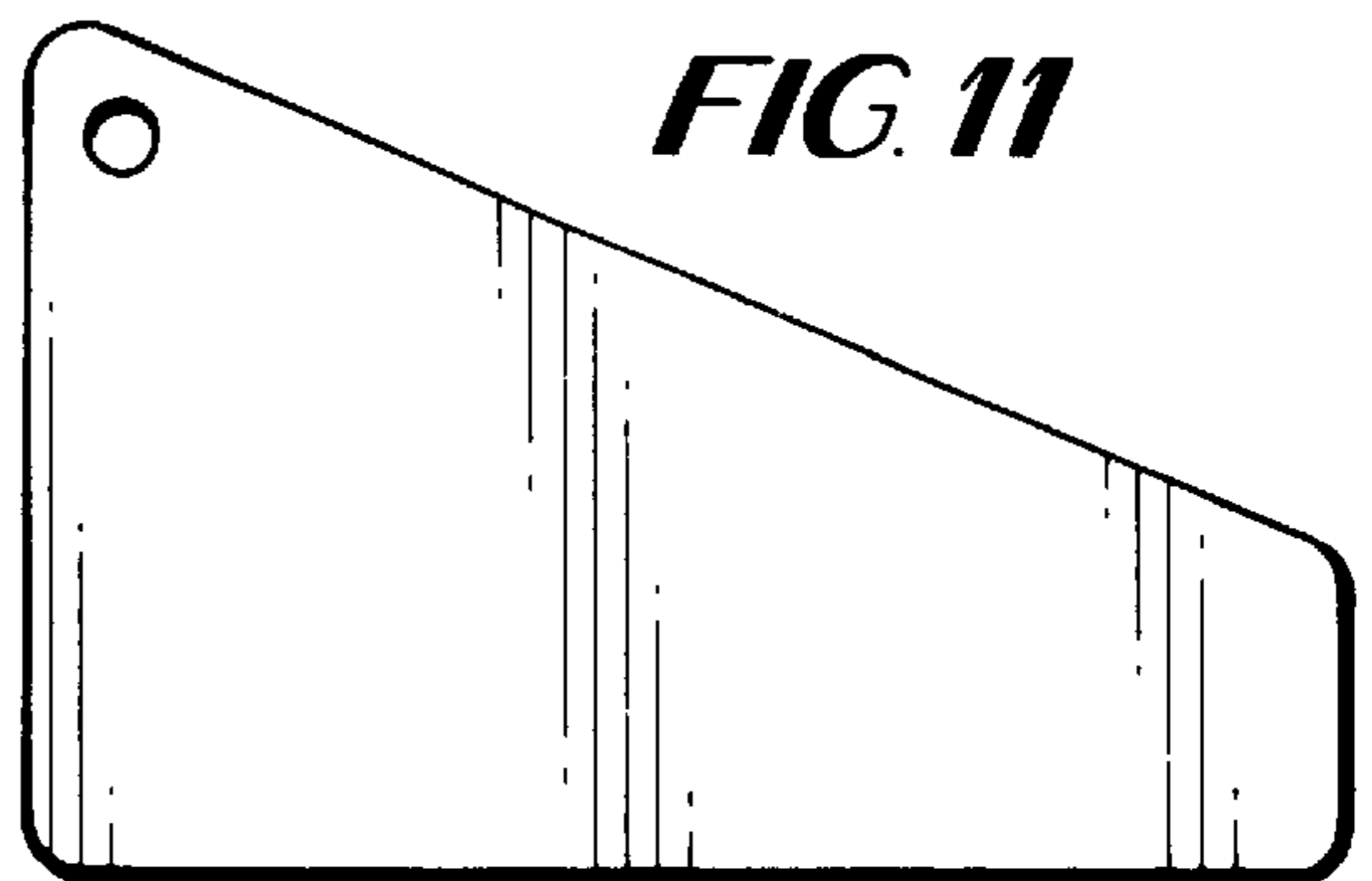


FIG. 12



FIG. 13

FIG. 14



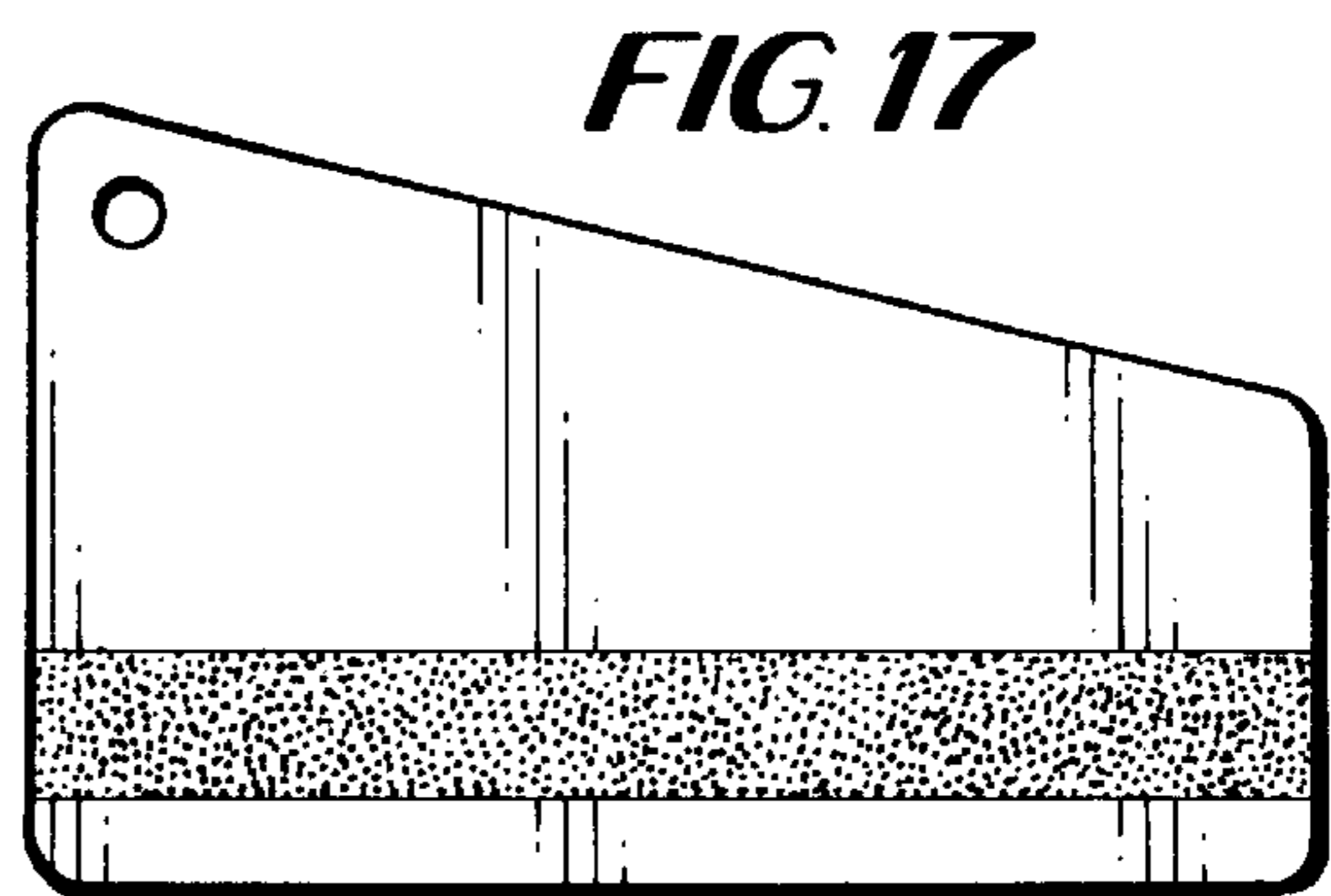
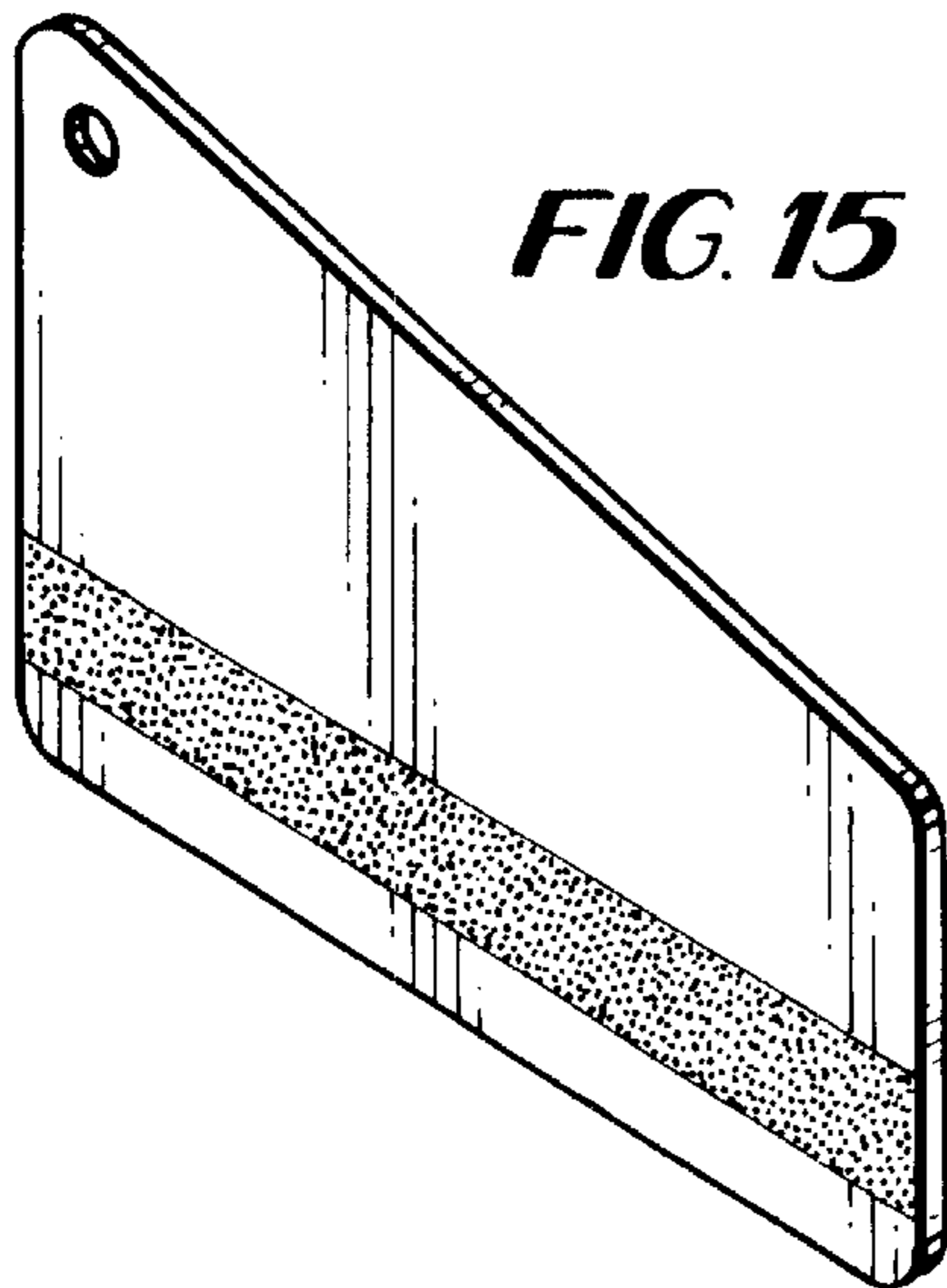


FIG. 18

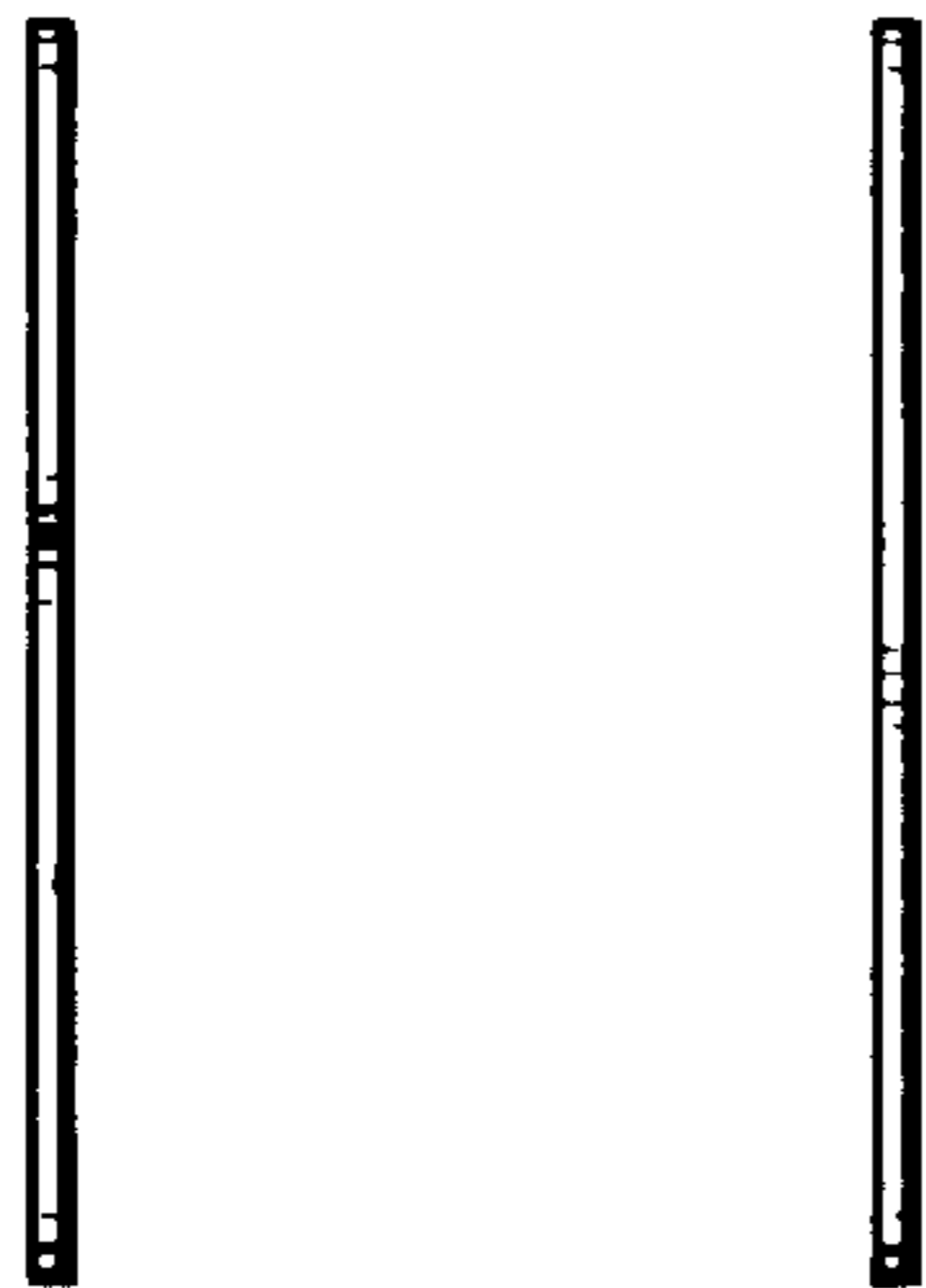


FIG. 20

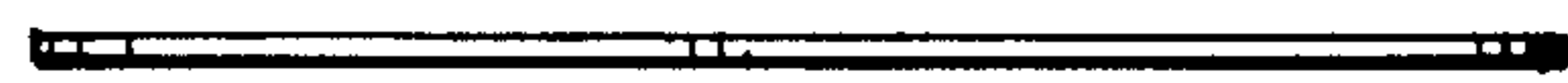
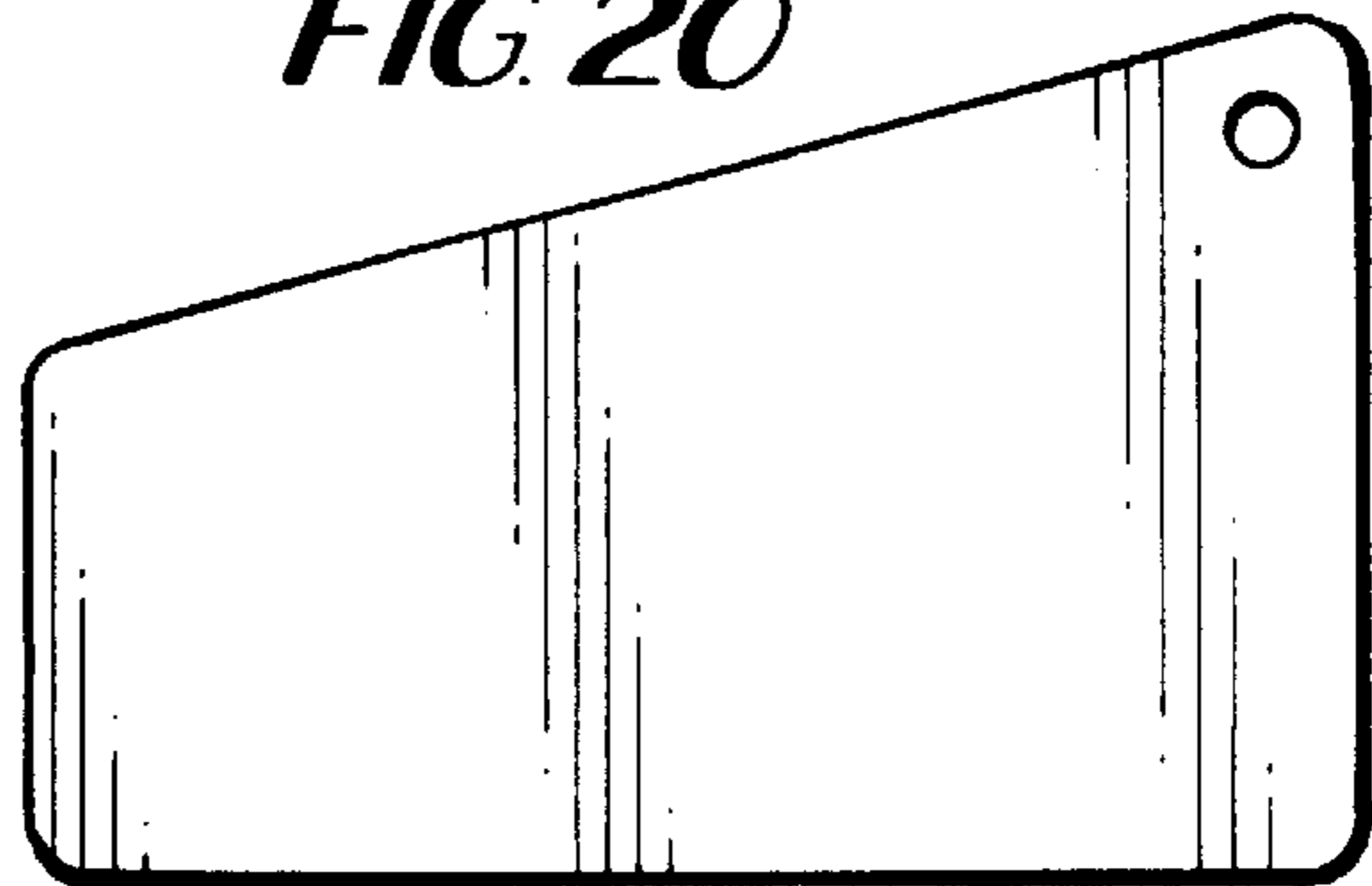


FIG. 21

FIG. 22

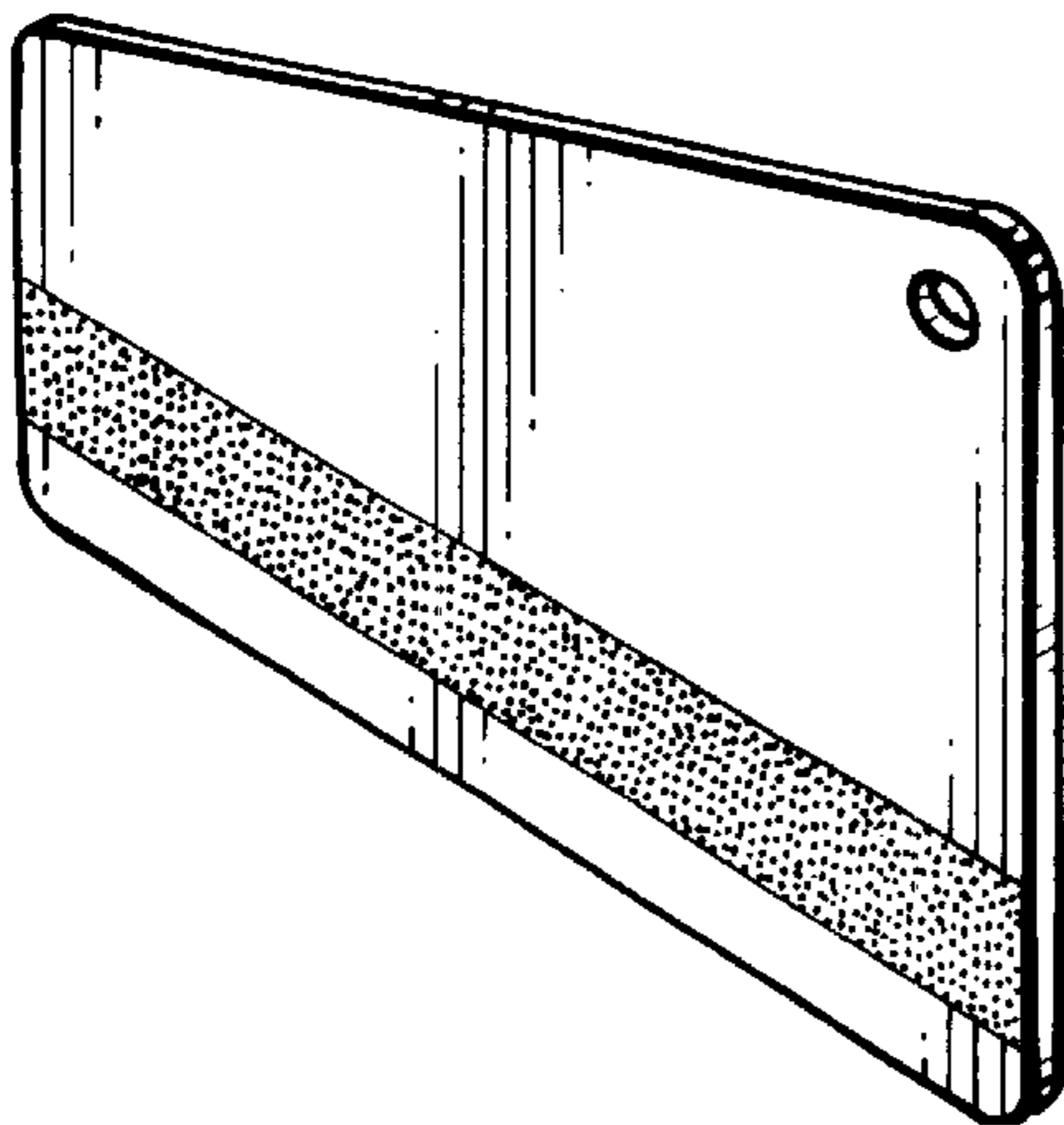


FIG. 23



FIG. 24

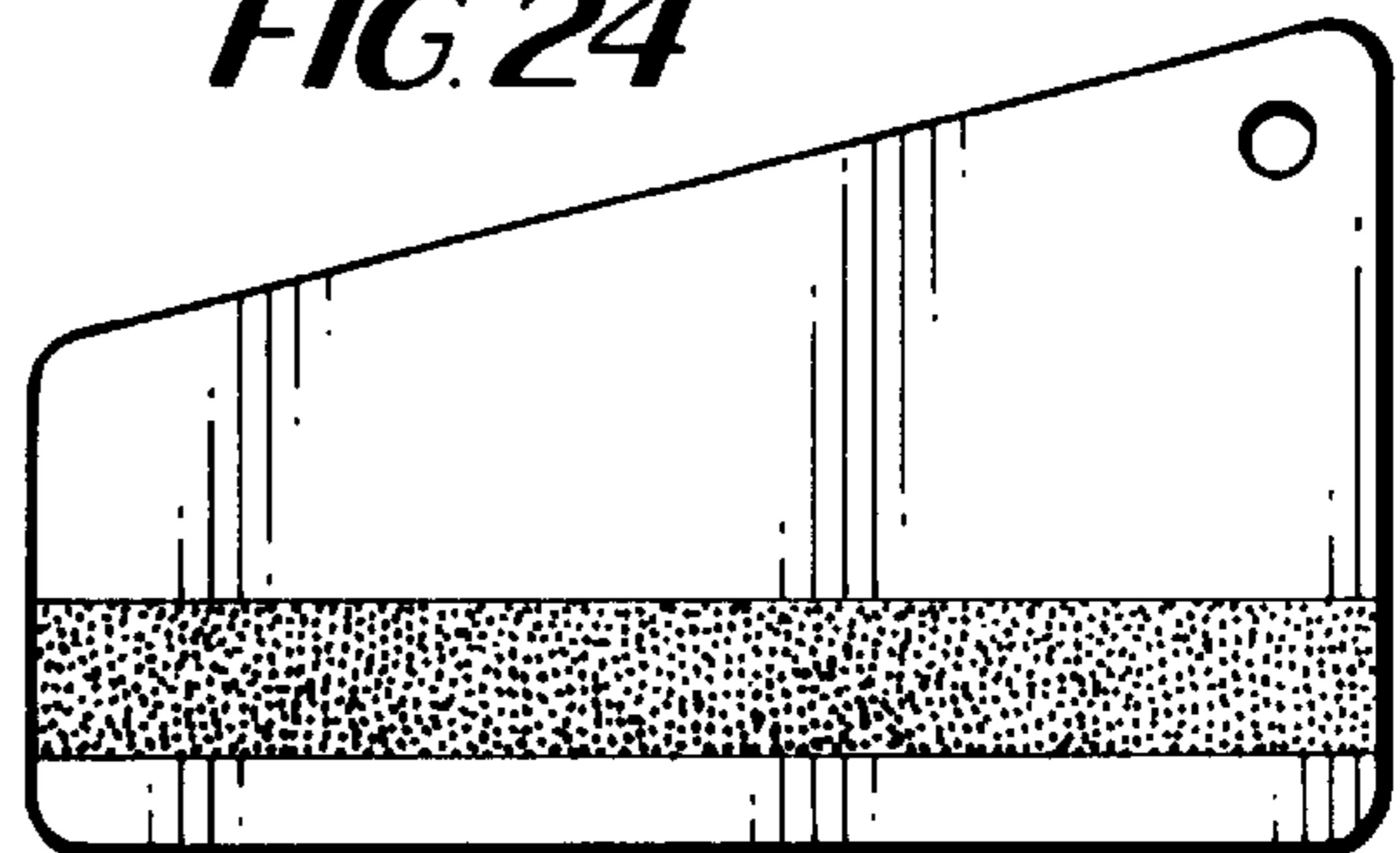


FIG. 26

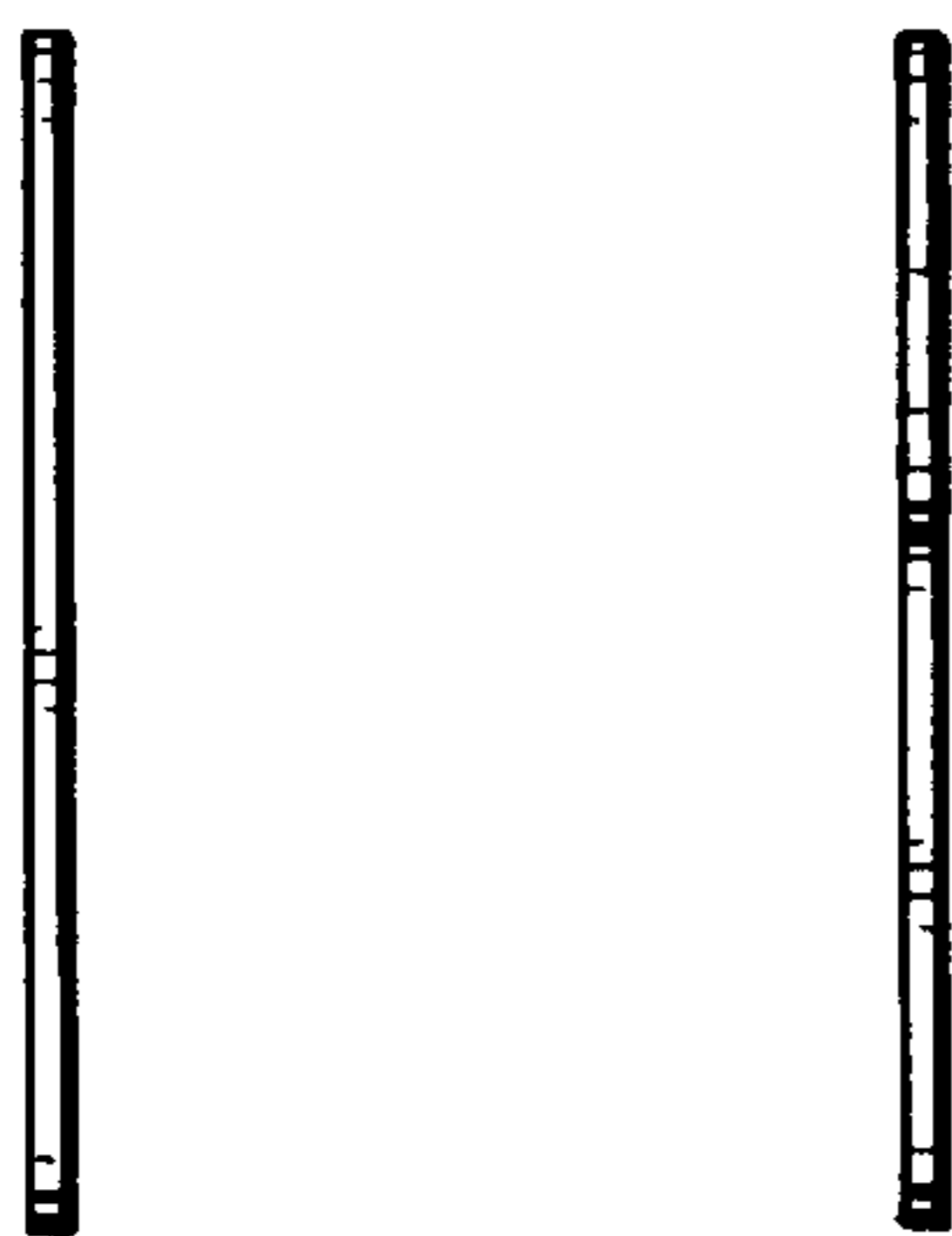


FIG. 25

FIG. 27

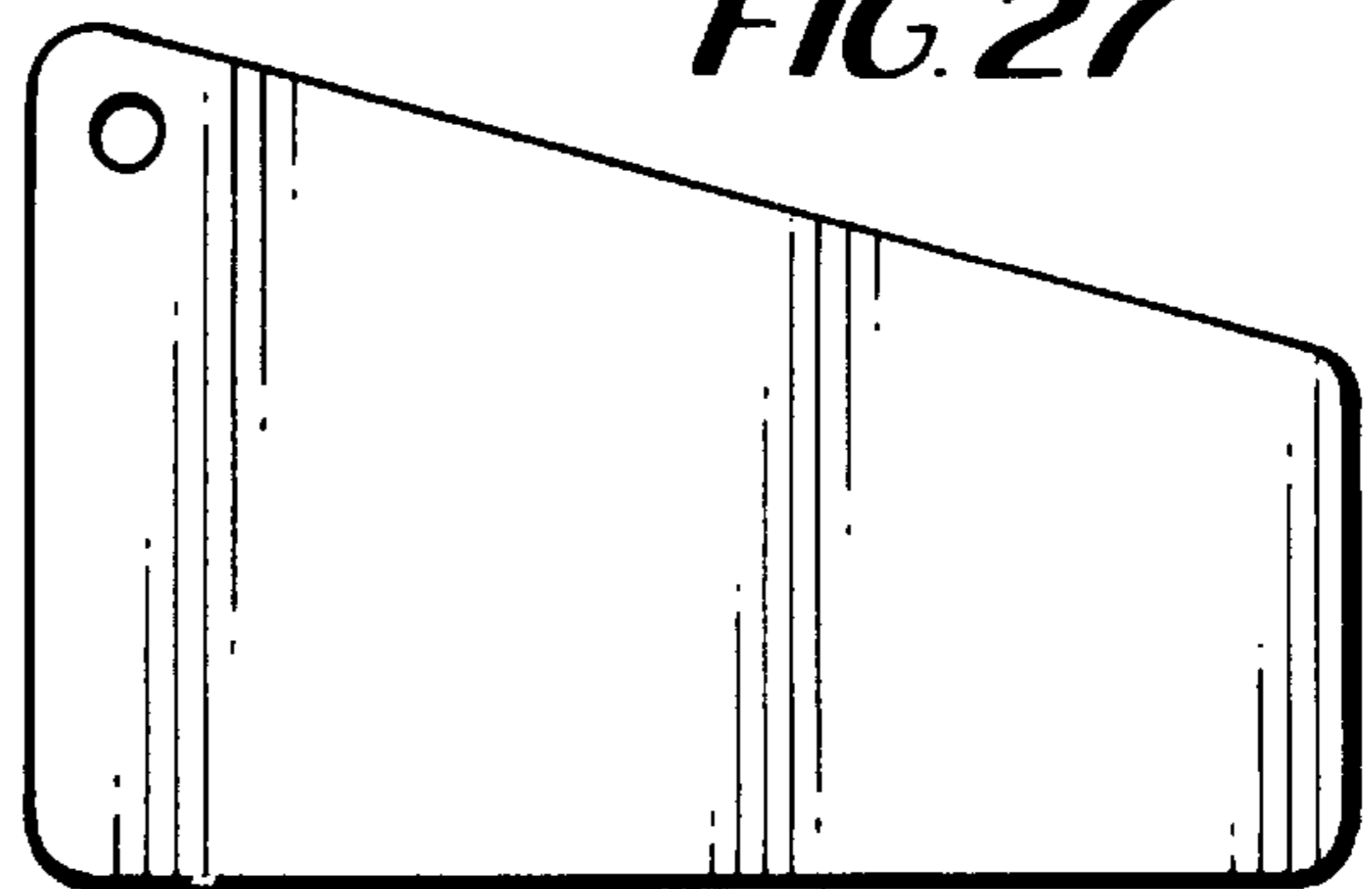


FIG. 28

