



US00D453158S

(12) **United States Design Patent**
Chen

(10) **Patent No.:** **US D453,158 S**

(45) **Date of Patent:** **** Jan. 29, 2002**

(54) **PORTABLE PRESENTATION DEVICE**

(75) Inventor: **Reng-Sho Chen**, Taipei (TW)

(73) Assignee: **Inventec Appliances Corp.**, Taipei (TW)

(**) Term: **14 Years**

(21) Appl. No.: **29/134,745**

(22) Filed: **Dec. 29, 2000**

(51) **LOC (7) Cl.** **14-02**

(52) **U.S. Cl.** **D14/374; D14/341; D16/235**

(58) **Field of Search** D14/341-346,
D14/371, 374, 126-129; D18/1, 2, 7; D16/225,
235; 345/156, 168, 169, 172, 173, 87; 349/12;
D19/26, 59, 60; 178/18.03; 361/680-686;
700/53

(56) **References Cited**

U.S. PATENT DOCUMENTS

D321,361 S	11/1991	Iino	D16/235
D330,545 S	10/1992	Ashihara	D14/374
D334,180 S	3/1993	Tedham et al.	D14/341

D357,000 S	4/1995	Takahashi	D14/341
D359,030 S	6/1995	Gildea et al.	D14/374
D398,904 S	9/1998	Tamaki et al.	D14/341
D416,237 S	11/1999	Miyahara et al.	D14/346
D425,925 S	5/2000	Akaike	D16/225

Primary Examiner—Freda Nunn

(74) *Attorney, Agent, or Firm*—Birch, Stewart, Kolasch & Birch, LLP

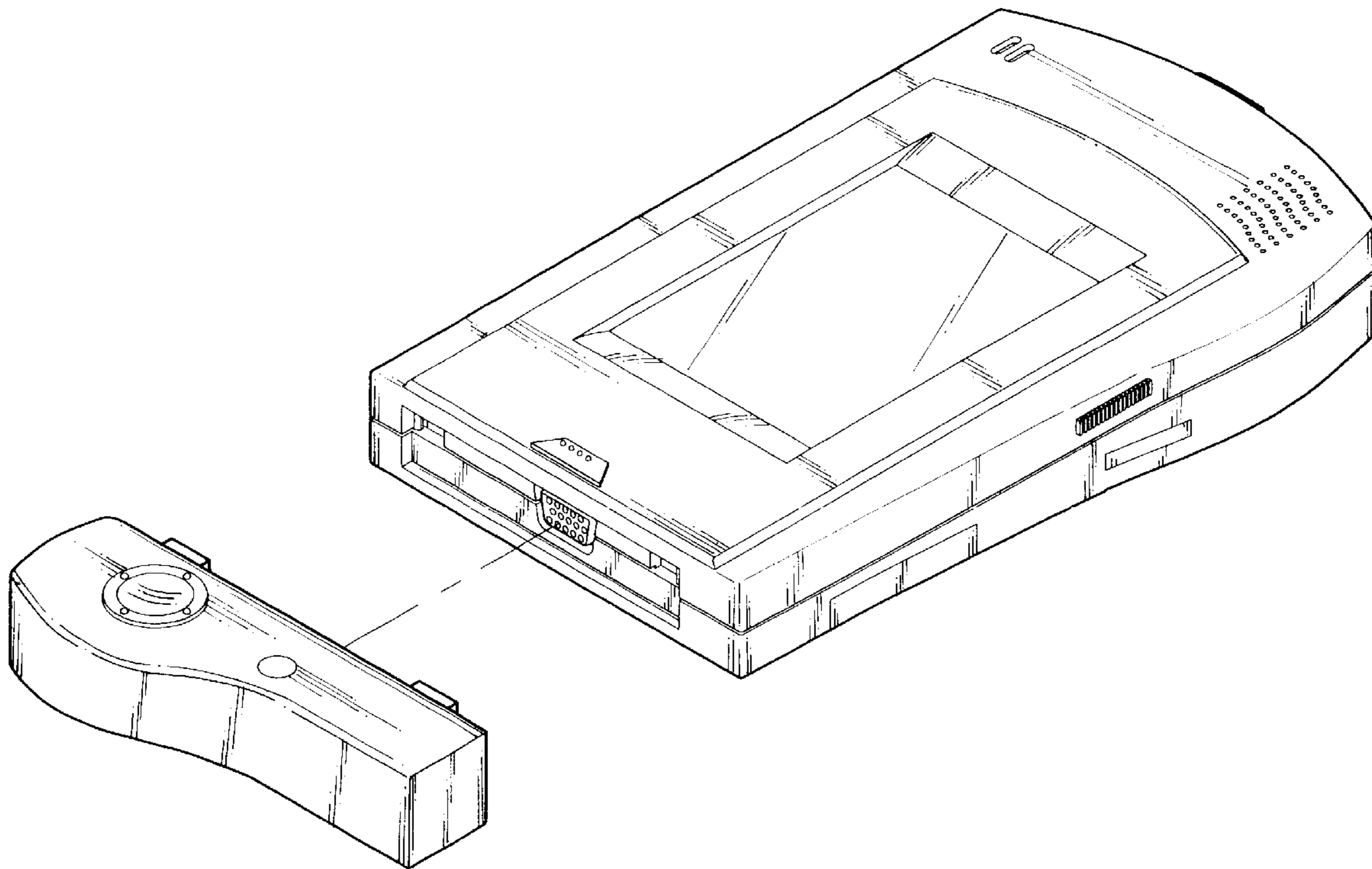
(57) **CLAIM**

The ornamental design for a portable presentation device, as shown and described.

DESCRIPTION

FIG. 1 is a perspective view of a portable presentation device, showing our new design;
FIG. 2 is right side elevational view thereof;
FIG. 3 is a top view thereof;
FIG. 4 is front view thereof;
FIG. 5 is a bottom view thereof;
FIG. 6 is a left side elevational view thereof; and
FIG. 7 is a rear view thereof; and,
FIG. 8 is an exploded perspective view thereof.

1 Claim, 8 Drawing Sheets



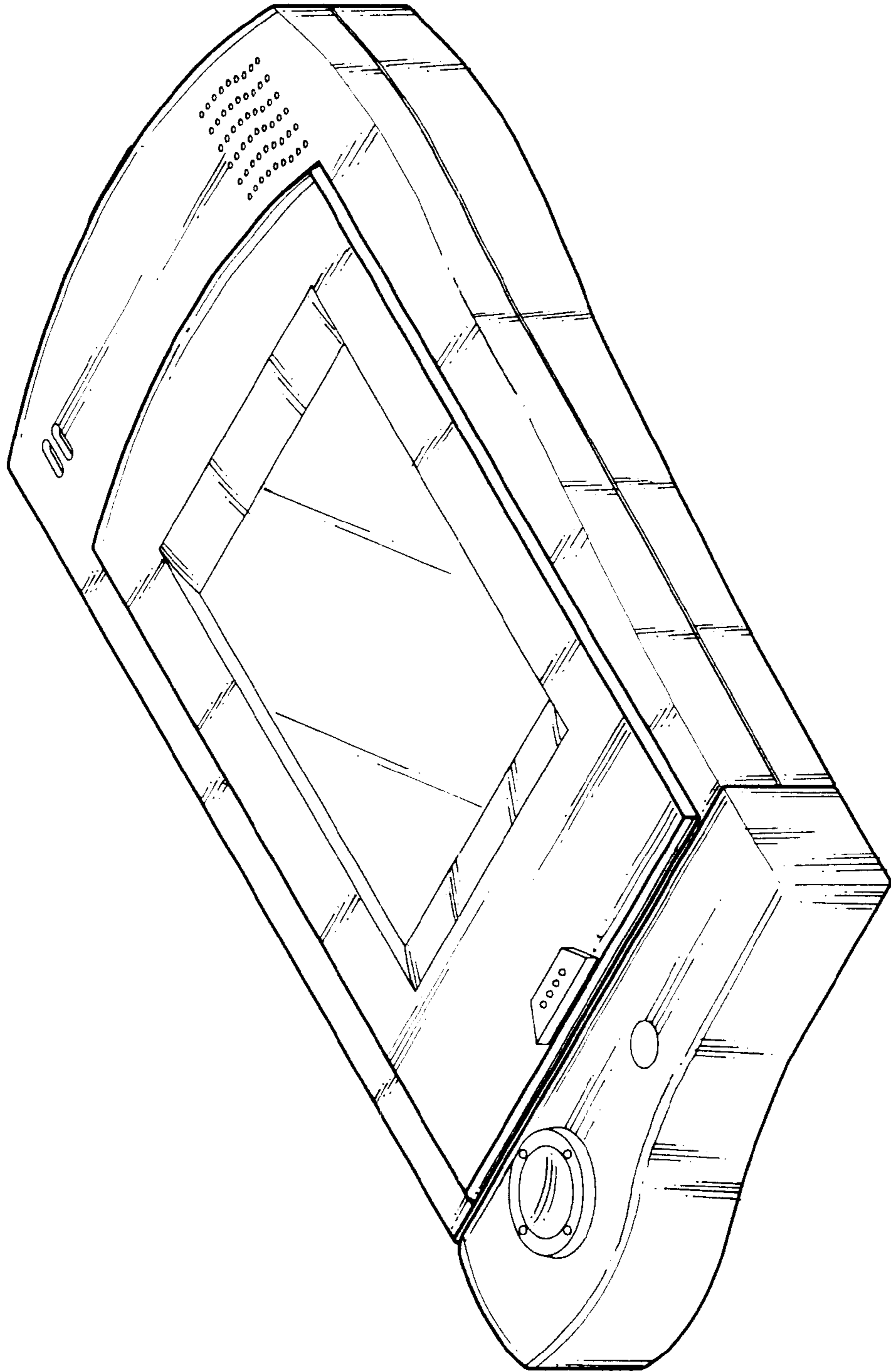


FIG. 1

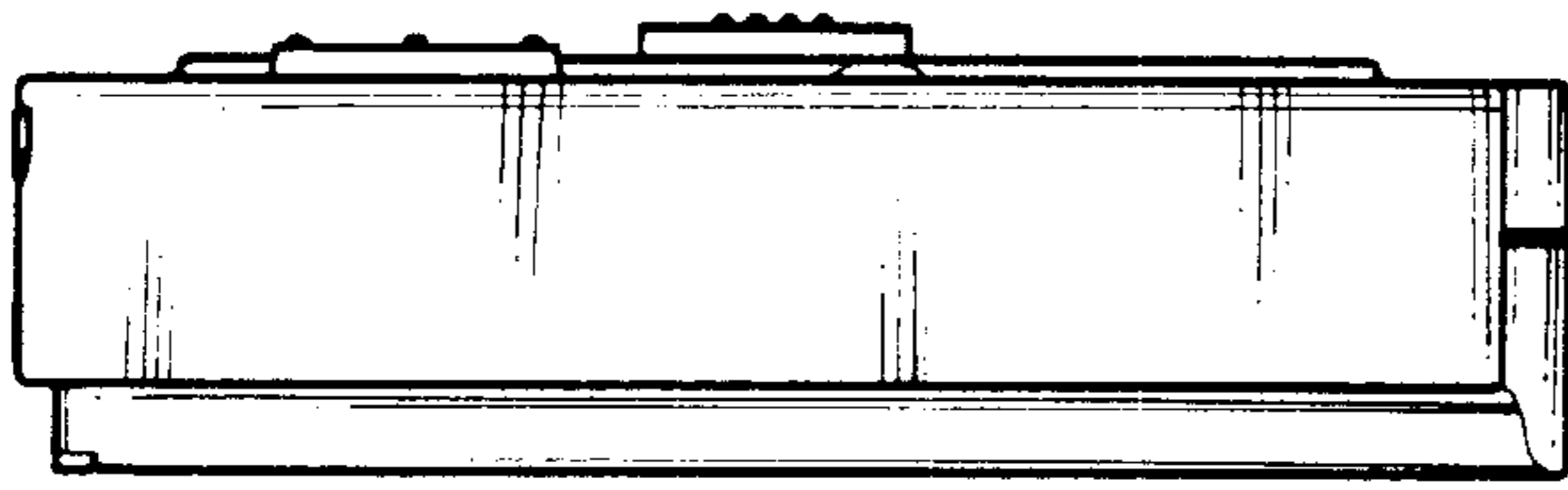


FIG. 2

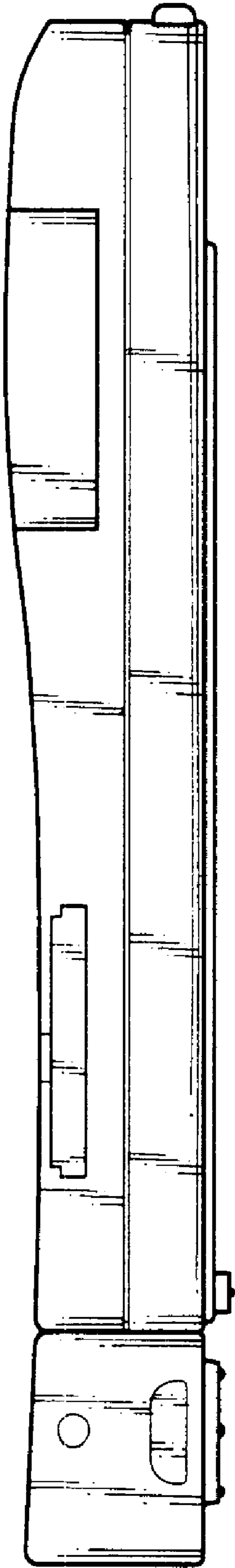


FIG. 3

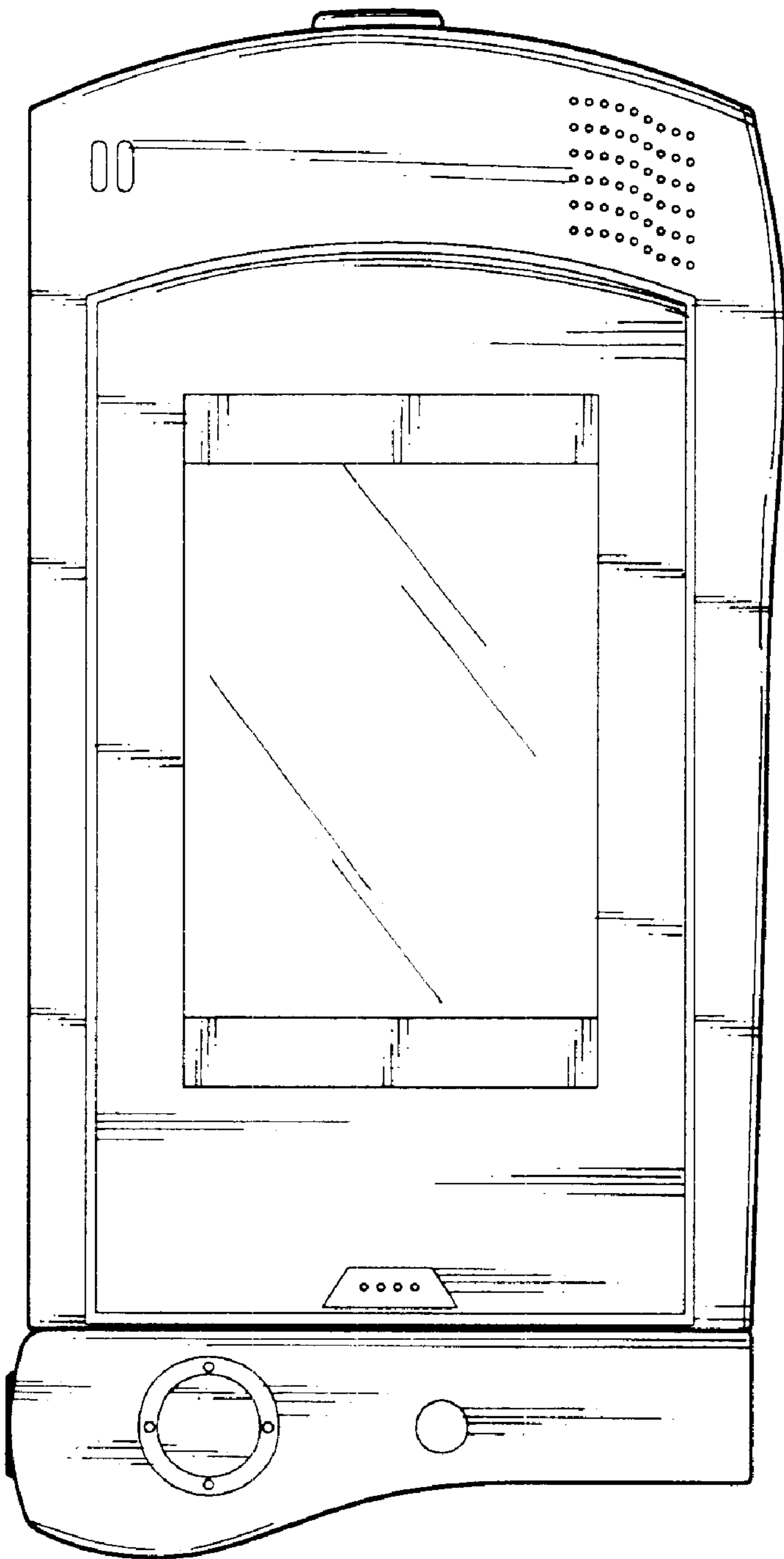


FIG. 4

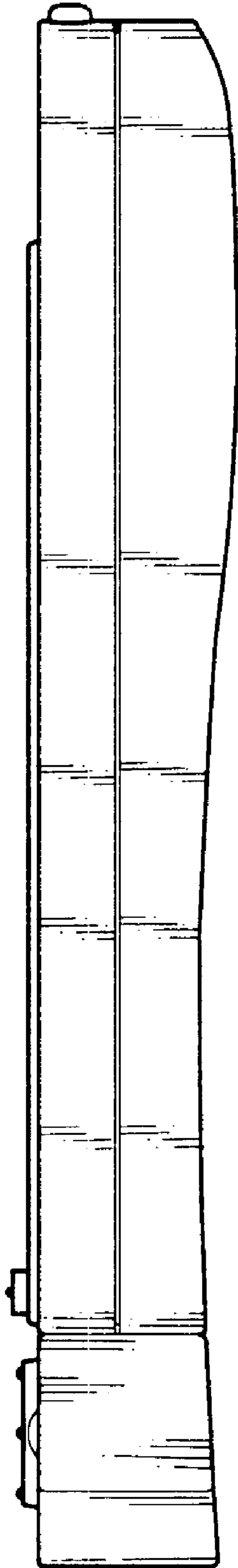


FIG. 5

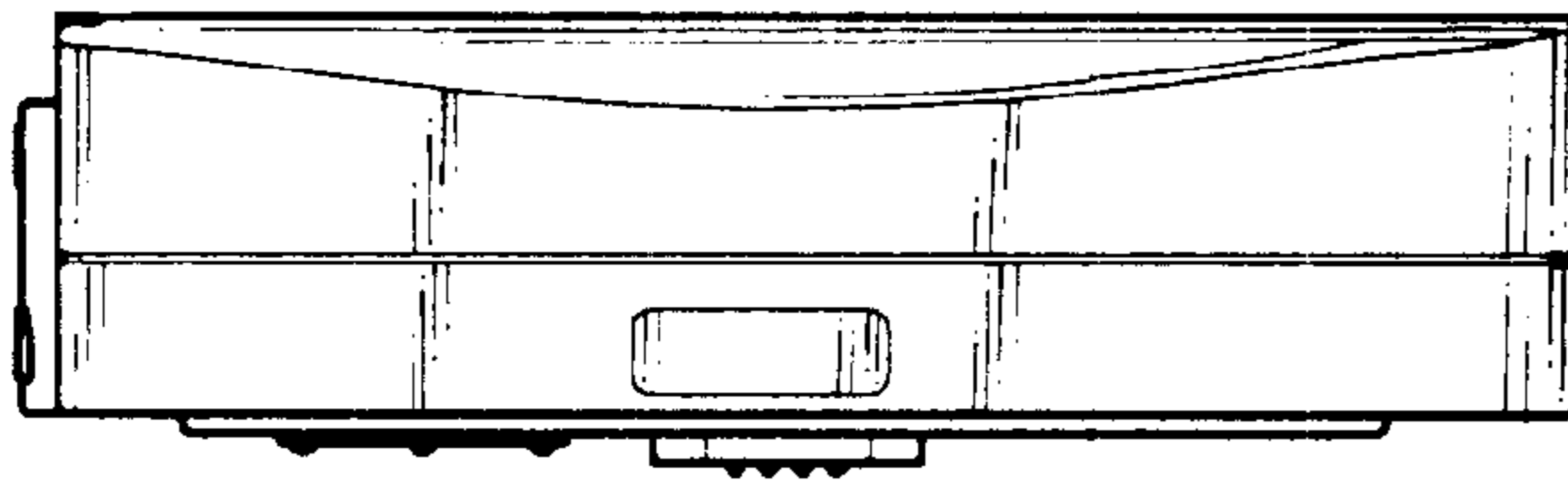


FIG. 6

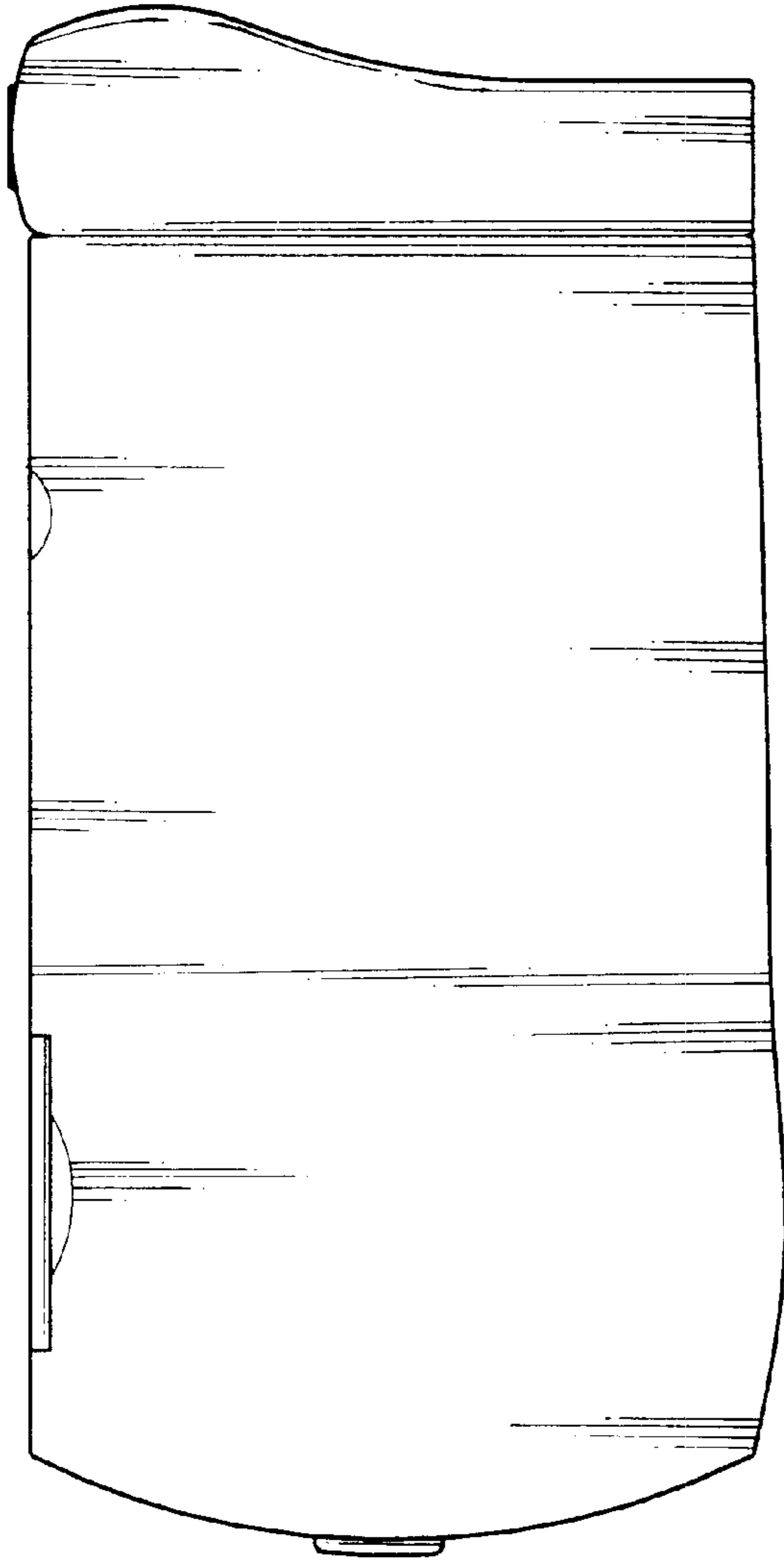


FIG. 7

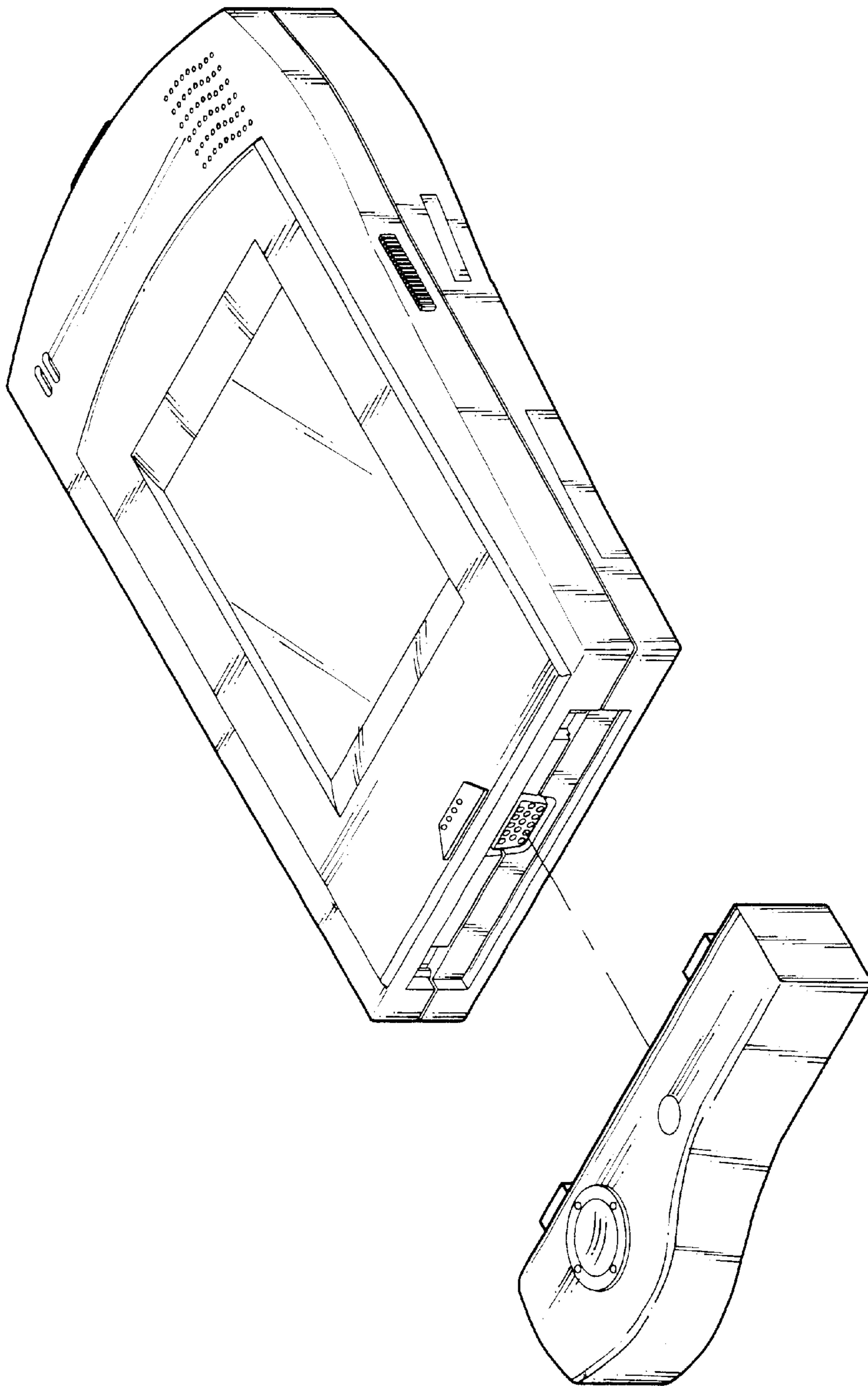


FIG. 8