



US00D453154S

(12) **United States Design Patent**
Åstradsson

(10) **Patent No.:** **US D453,154 S**

(45) **Date of Patent:** **** Jan. 29, 2002**

(54) **RADIO UNIT FOR MOBILE PHONE**

(75) Inventor: **Petter Åstradsson**, Stockholm (SE)

(73) Assignee: **Telefonaktiebolaget LM Ericsson (publ)**, Stockholm (SE)

(**) Term: **14 Years**

(21) Appl. No.: **29/136,320**

(22) Filed: **Jan. 30, 2001**

(30) **Foreign Application Priority Data**

Jul. 31, 2000 (SE) 00-1363

(51) **LOC (7) Cl.** **14-03**

(52) **U.S. Cl.** **D14/240**

(58) **Field of Search** D14/125, 257, D14/140, 142, 299, 433, 434, 356-358, 435-438, 308, 349, 353, 240, 242, 188, 155, 159, 141, 352, 439, 217, 218, 191; 379/419, 420, 441, 442, 428, 440, 406, 93.01, 93.28; 455/550-575, 90; D13/184; 361/600, 622, 724-728; 375/220-225; D3/218

(56) **References Cited**

U.S. PATENT DOCUMENTS

D310,082 S	*	8/1990	Kehl et al.	D14/227
D339,807 S	*	9/1993	Tattari et al.	D14/240
D346,805 S	*	5/1994	Kim	D14/240
D353,577 S	*	12/1994	Shoda et al.	D13/147
D363,722 S	*	10/1995	Aldridge et al.	D14/242
D367,859 S	*	3/1996	Beaumont et al.	D14/142
D377,339 S	*	1/1997	Beruscha et al.	D13/184
D379,993 S	*	6/1997	Devitt et al.	D14/240
D384,065 S	*	9/1997	Bice et al.	D14/149
D390,553 S	*	2/1998	Beaumont et al.	D14/137

D391,953 S	*	3/1998	Copeland et al.	D14/137
5,761,612 A	*	6/1998	Read	455/90
D402,805 S	*	12/1998	Nagano et al.	D3/218
D408,417 S	*	4/1999	Ota et al.	D14/242
D409,199 S	*	5/1999	Taguchi et al.	D14/217
5,905,722 A	*	5/1999	Kim	370/342
D413,898 S	*	9/1999	Lohrding et al.	D14/256
D425,484 S	*	5/2000	Ahlgren	D13/147
D427,193 S	*	6/2000	Fedele	D14/348
D430,147 S	*	8/2000	Willkens et al.	D14/240
D444,779 S	*	7/2001	Hin	D14/188
D446,207 S	*	8/2001	Matthes et al.	D14/299

* cited by examiner

Primary Examiner—Jeffrey Asch

(74) *Attorney, Agent, or Firm*—Burns, Doane, Swecker & Mathis, L.L.P.

(57) **CLAIM**

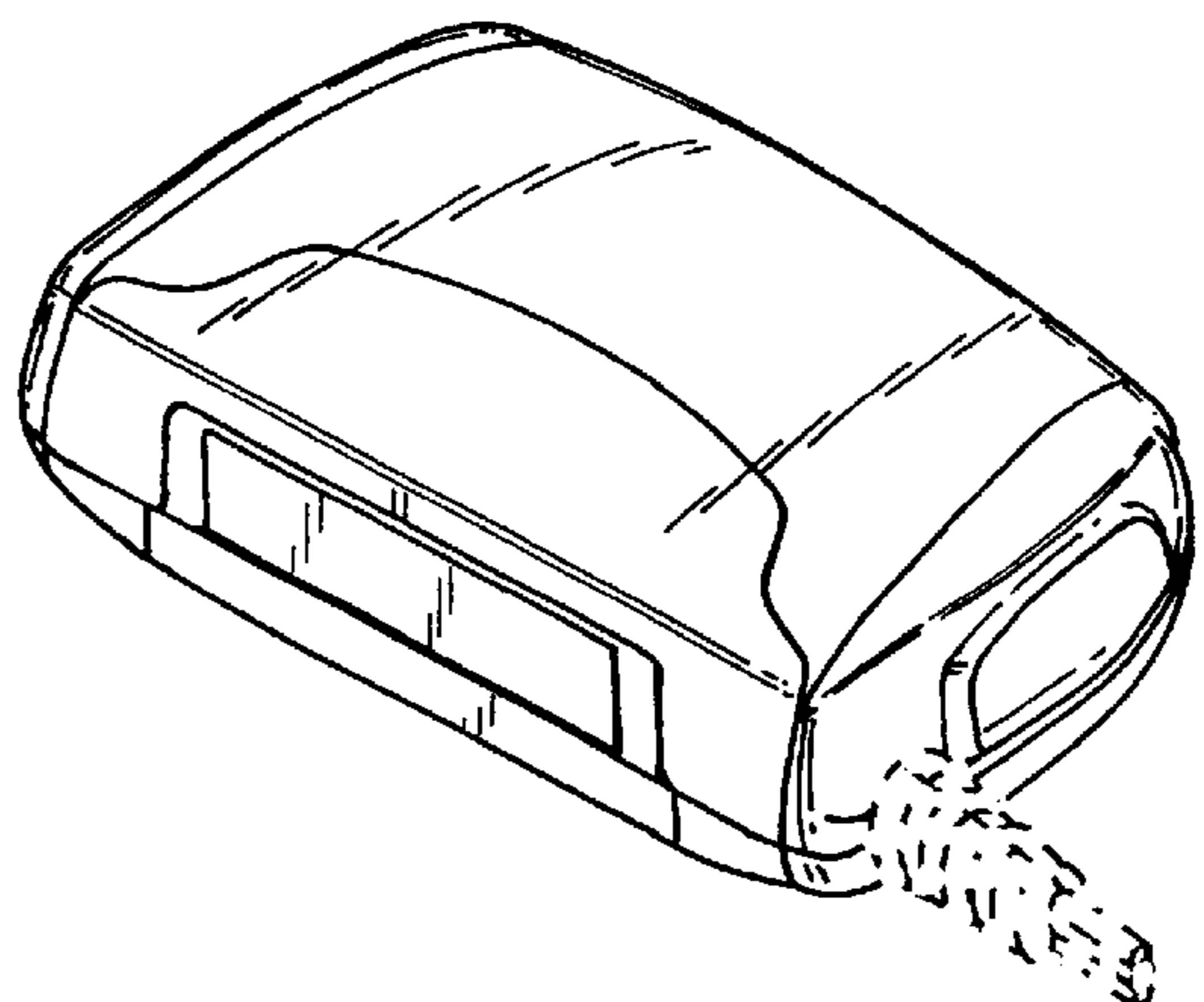
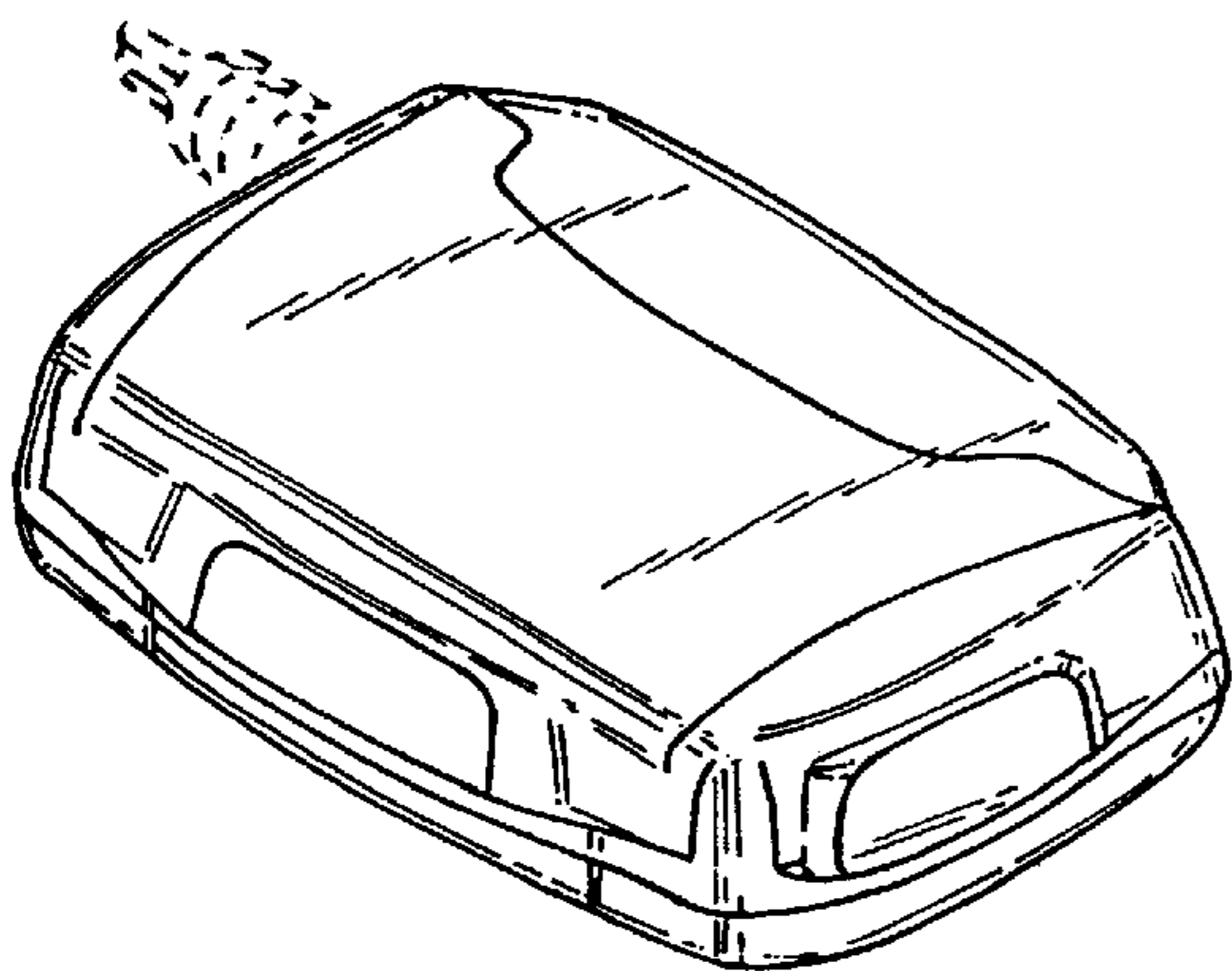
The ornamental design for a radio unit for mobile phone, as shown and described.

DESCRIPTION

FIG. 1 is a front, top perspective view of a radio unit for mobile phone showing my new design; FIG. 2 is a rear, top perspective view thereof; FIG. 3 is a front elevational view thereof; FIG. 4 is a top plan view thereof; FIG. 5 is a rear elevational view thereof; FIG. 6 is a bottom plan perspective view thereof; FIG. 7 is a left side elevational view thereof; and, FIG. 8 is a right side elevational view thereof.

The broken line showing of a cord on the radio unit for mobile phone is for illustrative purposes only and forms on part of the claimed design.

1 Claim, 3 Drawing Sheets



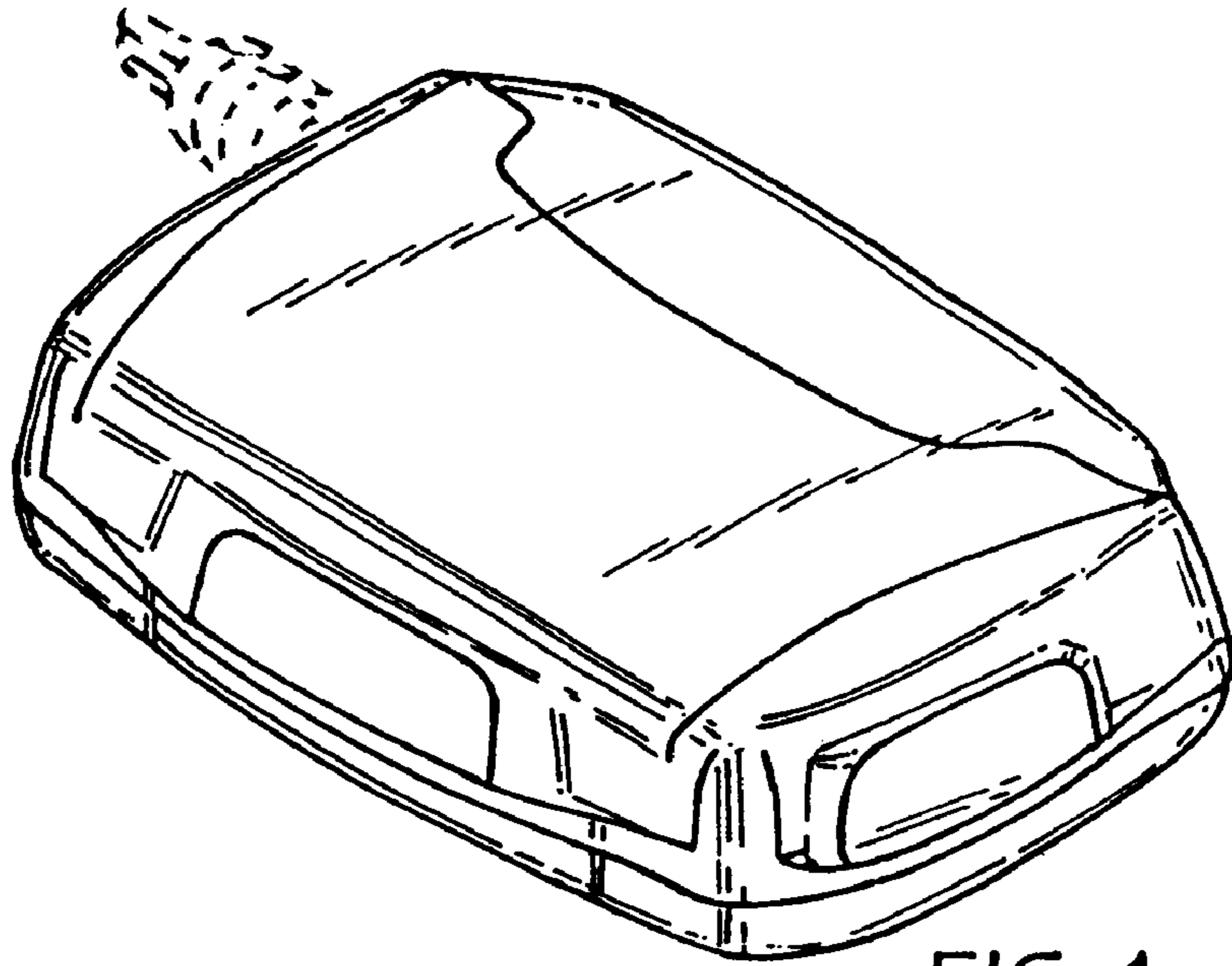


FIG. 1

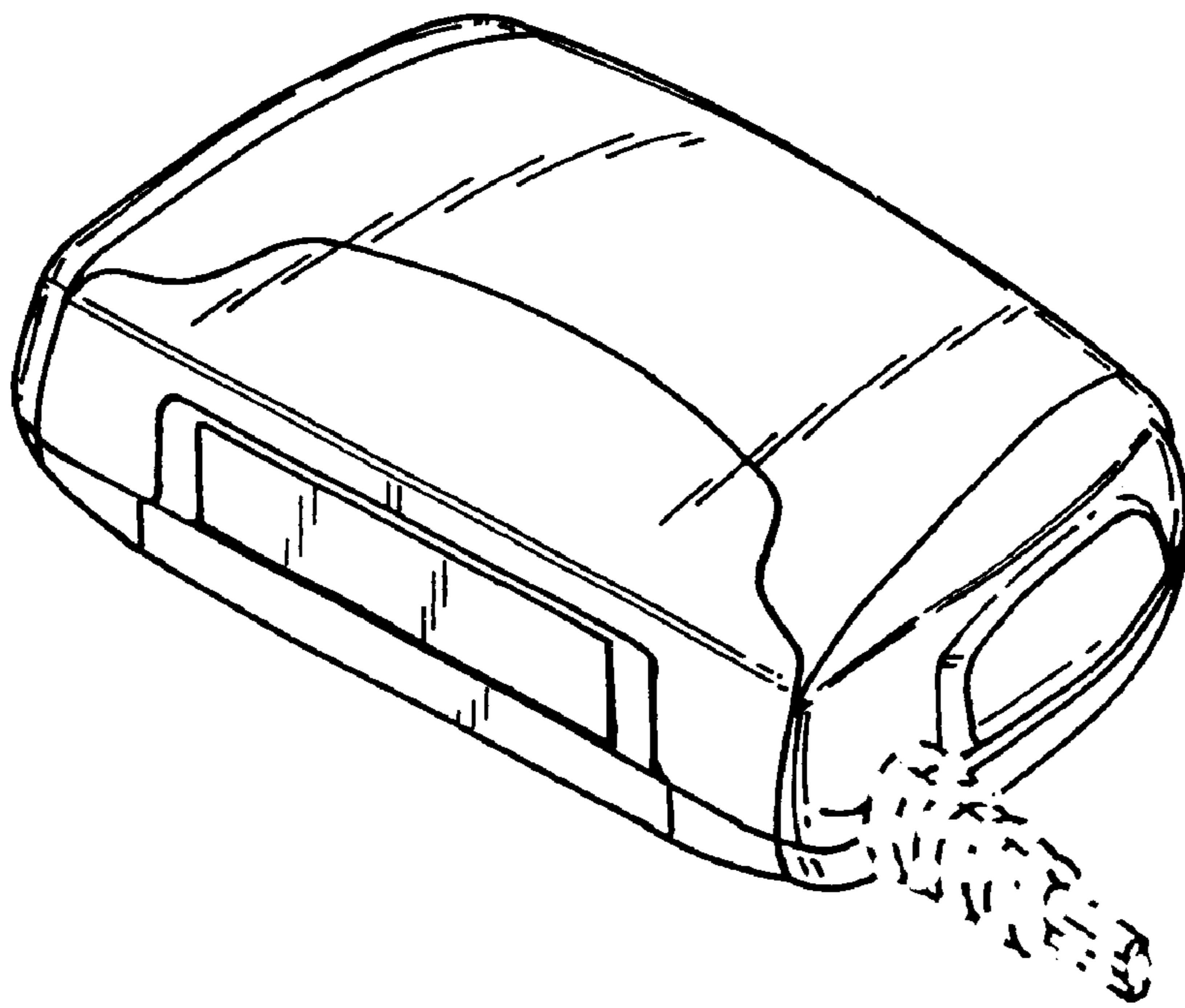


FIG. 2

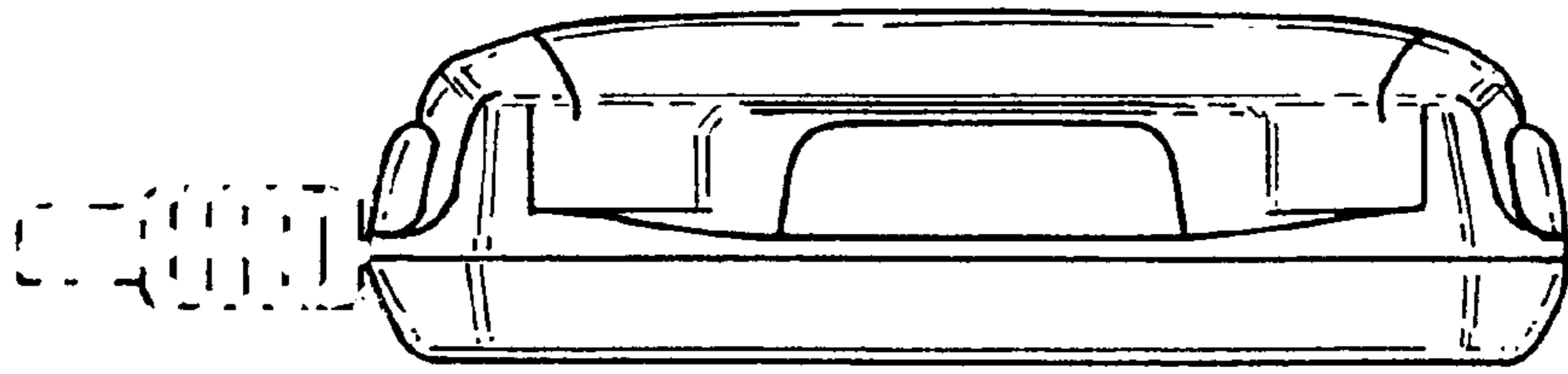


FIG. 3

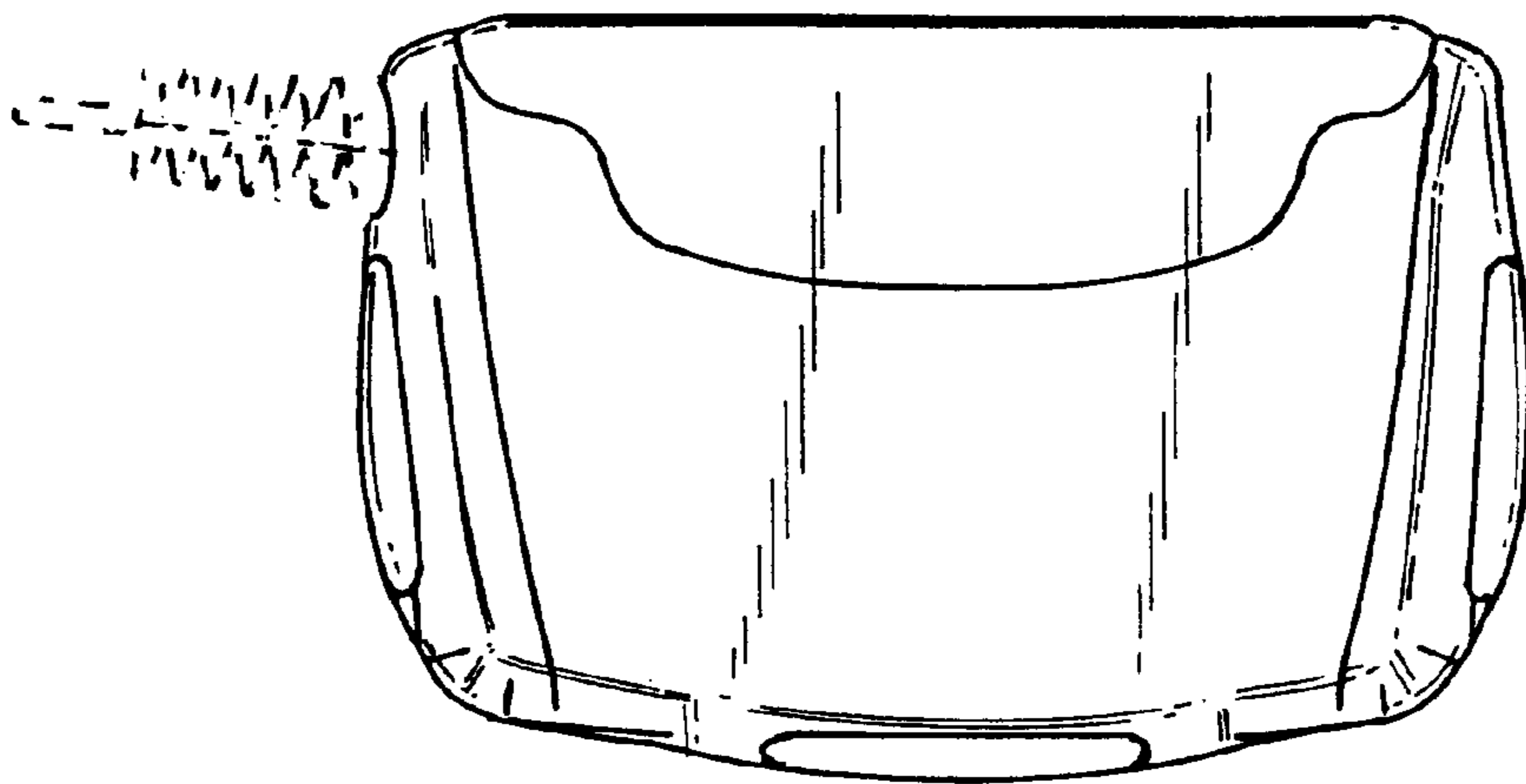


FIG. 4

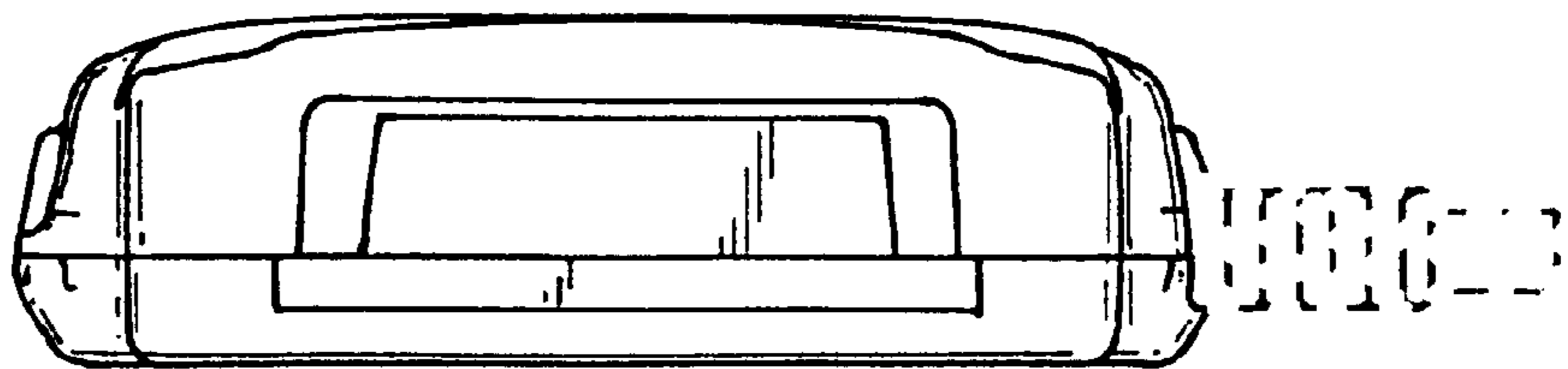


FIG. 5

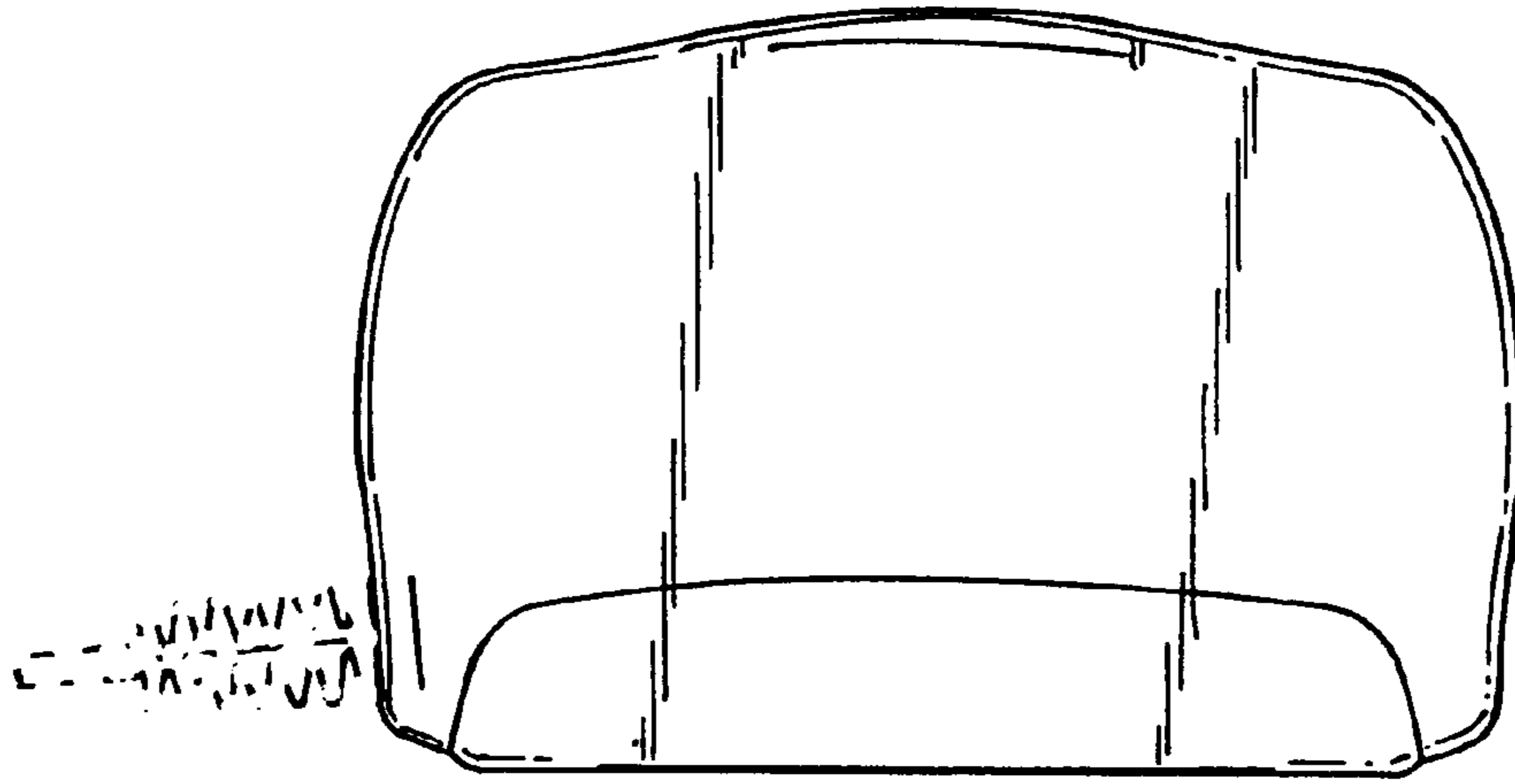


FIG. 6

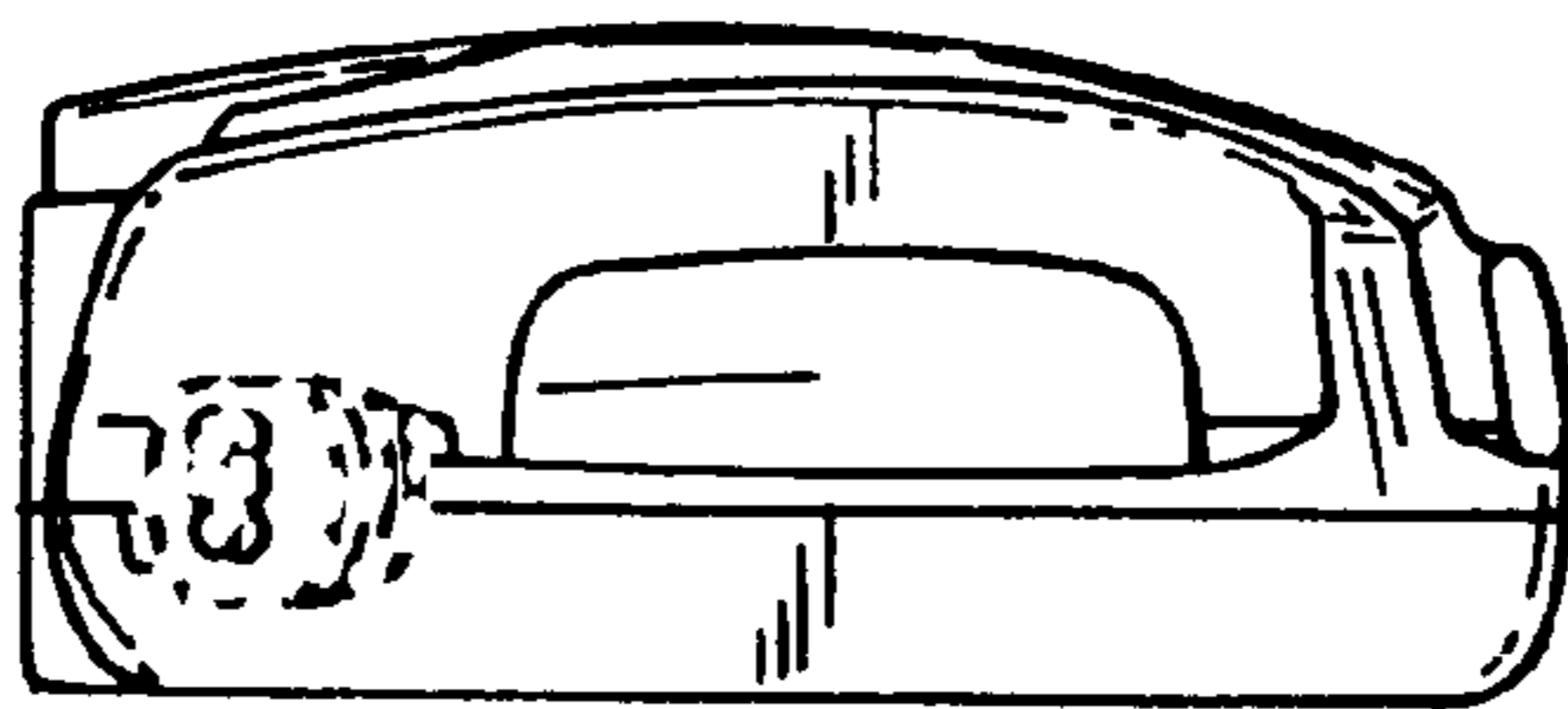


FIG. 7

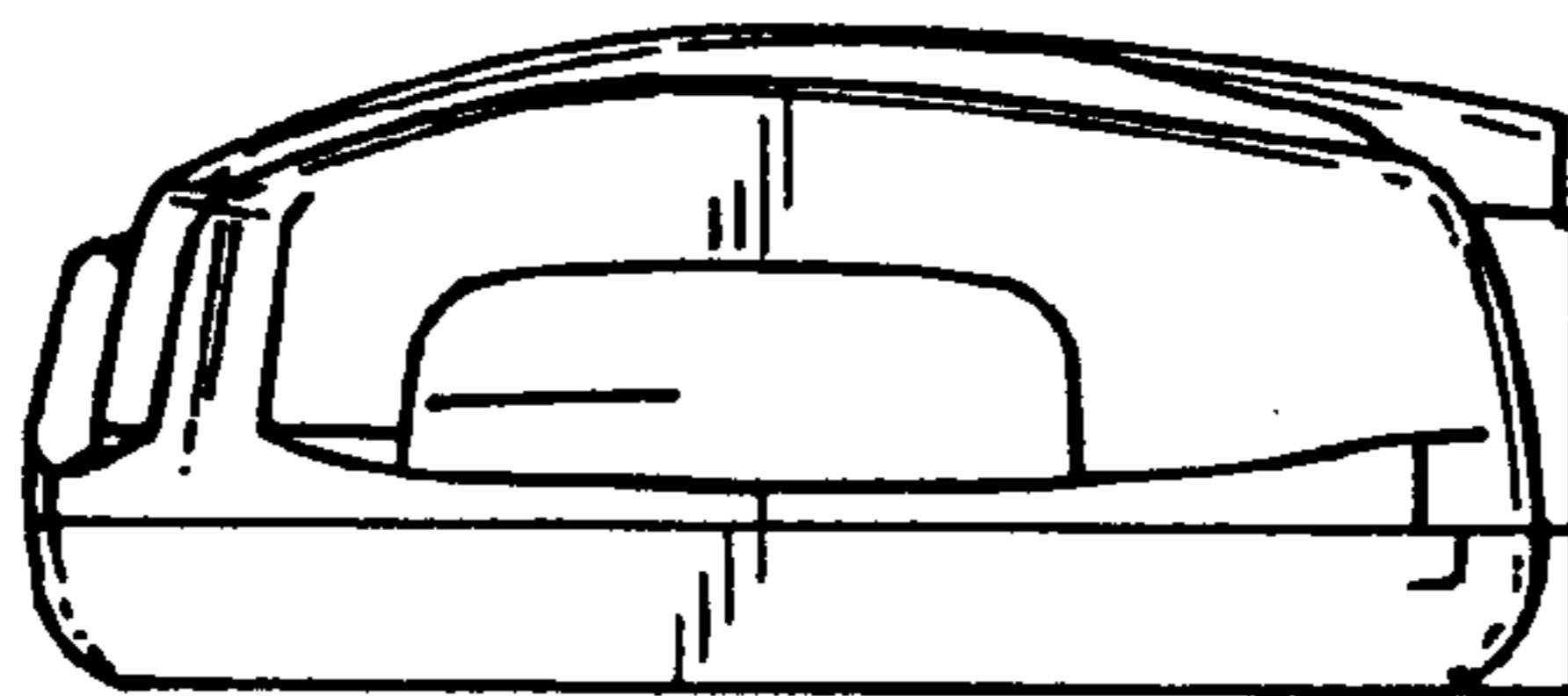


FIG. 8