



US00D453153S

(12) **United States Design Patent**
Yu et al.

(10) **Patent No.:** **US D453,153 S**
(45) **Date of Patent:** **** Jan. 29, 2002**

(54) **DISPLAY WITH A CAMERA,
MICROPHONES AND SPEAKERS FOR
TELEPHONE**

(75) Inventors: **Scott Yu; Thomas Keen; Trent
Stoddard**, all of San Francisco, CA
(US); **Shinji Yamana; Yasuyuki
Tamaki**, both of Tokyo (JP)

(73) Assignee: **Mitsubishi Denki Kabushiki Kaisha**,
Tokyo (JP)

(**) Term: **14 Years**

(21) Appl. No.: **29/131,546**

(22) Filed: **Oct. 25, 2000**

(51) **LOC (7) Cl.** **14-03**

(52) **U.S. Cl.** **D14/240; D14/374**

(58) **Field of Search** D14/240, 317,
D14/140, 142, 358, 356, 130, 374, 242,
375, 191, 336, 337, 371, 126, 125, 341-347,
129; 379/433.01-433.13, 419, 434, 428.01-428.04,
420.01-420.04, 440; 455/550-575, 90;
D13/184; 348/14.01, 14.02, 14.07, 739,
790, 836

(56) **References Cited**

U.S. PATENT DOCUMENTS

D323,155 S	*	1/1992	Hino et al.	D14/329
D340,701 S	*	10/1993	Takeuchi	D14/341
D354,483 S	*	1/1995	Yamazaki	D14/374
D358,807 S	*	5/1995	Ratcliffe et al.	D14/335
D372,019 S	*	7/1996	Ive et al.	D14/336
D376,136 S	*	12/1996	Wilson	D14/374
D392,946 S	*	3/1998	Elkins	D14/329
D393,838 S	*	4/1998	Pandolfi	D14/374

D407,077 S	*	3/1999	Shibata	D14/374
5,880,928 A	*	3/1999	Ma	361/683
D430,121 S	*	8/2000	Revoldini	D14/374
D431,566 S	*	10/2000	Chuo et al.	D14/375
D432,101 S	*	10/2000	Oba	D14/126
D438,201 S	*	2/2001	Ogawa et al.	D14/336
D439,224 S	*	3/2001	Kita	D14/126
D439,225 S	*	3/2001	Kita	D14/126

* cited by examiner

Primary Examiner—Jeffrey Asch

(74) *Attorney, Agent, or Firm*—Oblon, Spivak, McClelland,
Maier & Neustadt, P.C.

(57) **CLAIM**

The ornamental design for a display with a camera, micro-
phones and speakers for telephone, as shown.

DESCRIPTION

FIG. 1 is a front, top and right side perspective view of a display with a camera, microphones and speakers for telephone, showing our new design;
 FIG. 2 is a rear, top and right side perspective view thereof;
 FIG. 3 is a front elevational view thereof;
 FIG. 4 is a rear elevational view thereof;
 FIG. 5 is a top plan view thereof;
 FIG. 6 is a bottom plan view thereof;
 FIG. 7 is a right side elevational view thereof, the left side elevational view is omitted as that is symmetrical to the right side elevational view thereof;
 FIG. 8 is an enlarged cross-sectional view thereof, taken along line 8—8 of FIG. 3, with the internal system omitted; and,
 FIG. 9 is an enlarged cross-sectional view thereof, taken along line 9—9 of FIG. 7, with the internal system omitted.

1 Claim, 5 Drawing Sheets

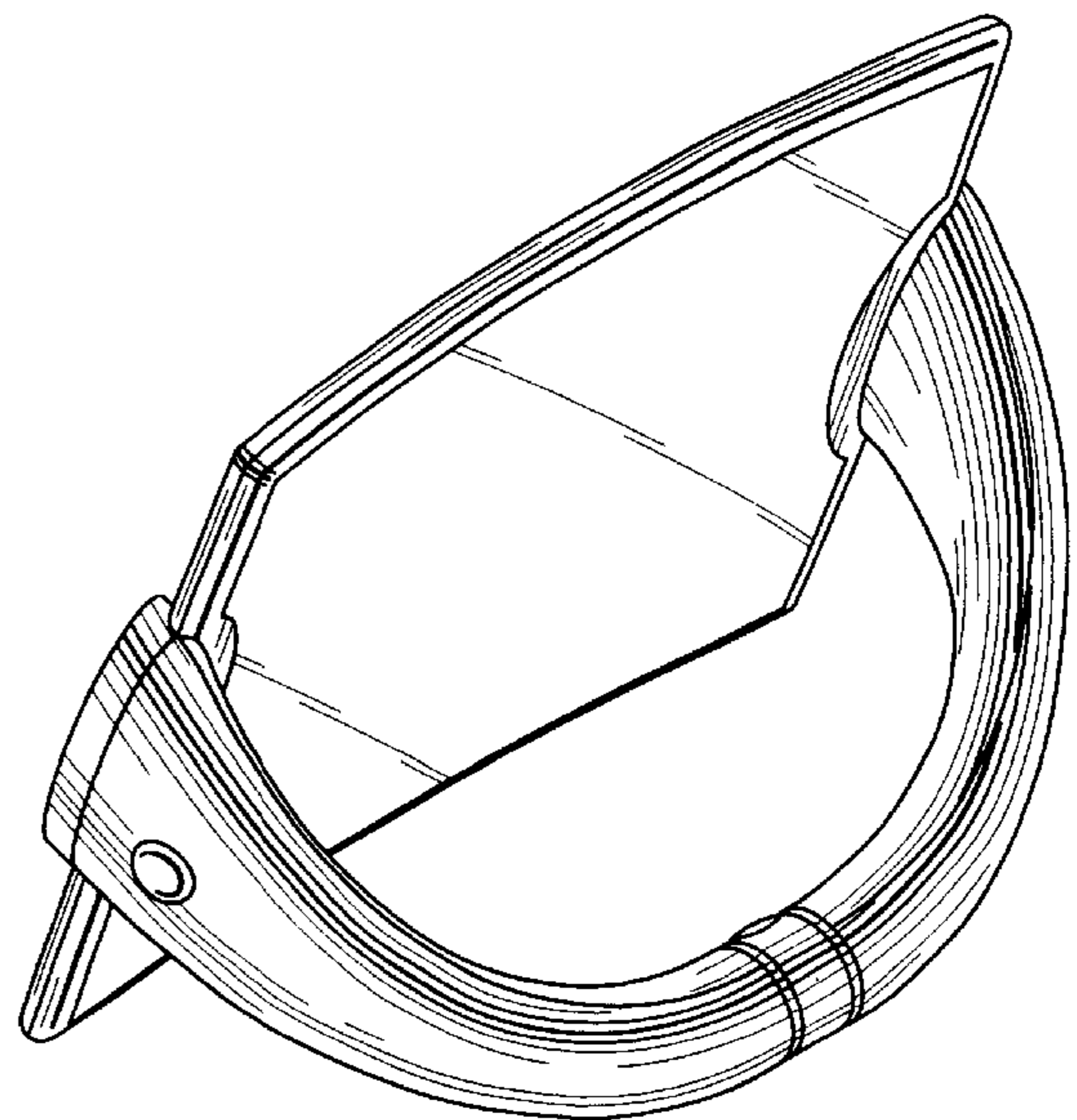
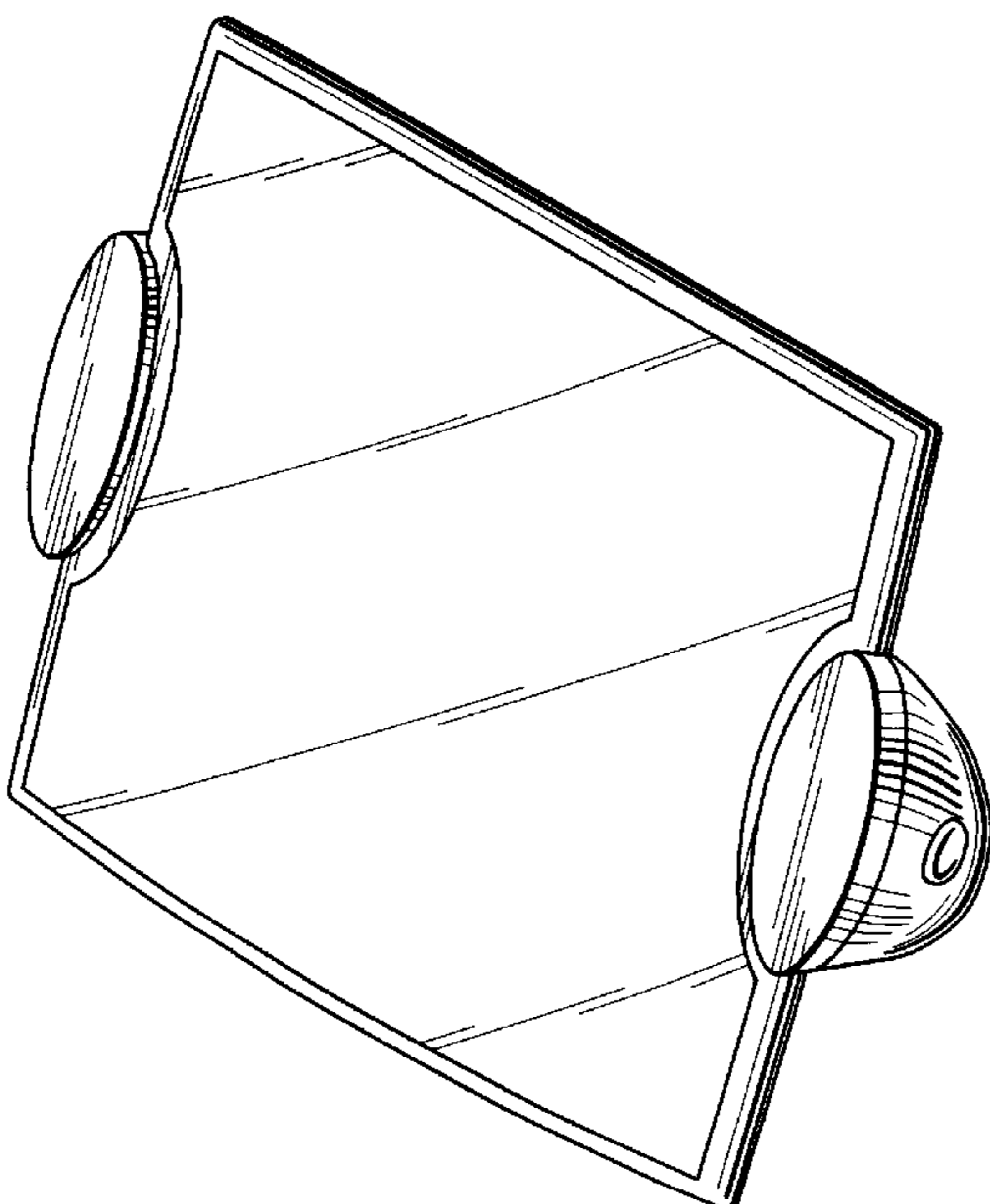


FIG. 1

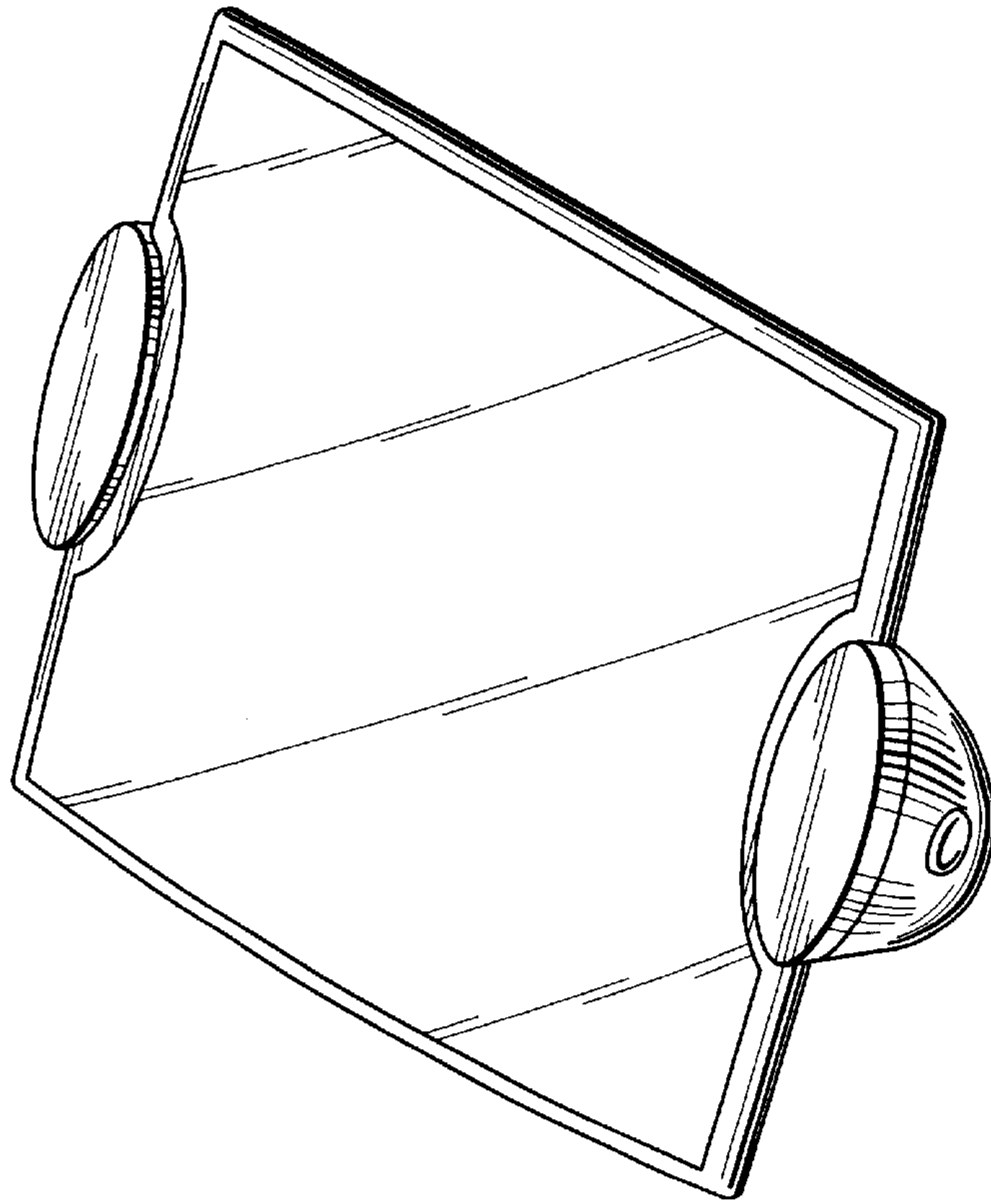


FIG. 2

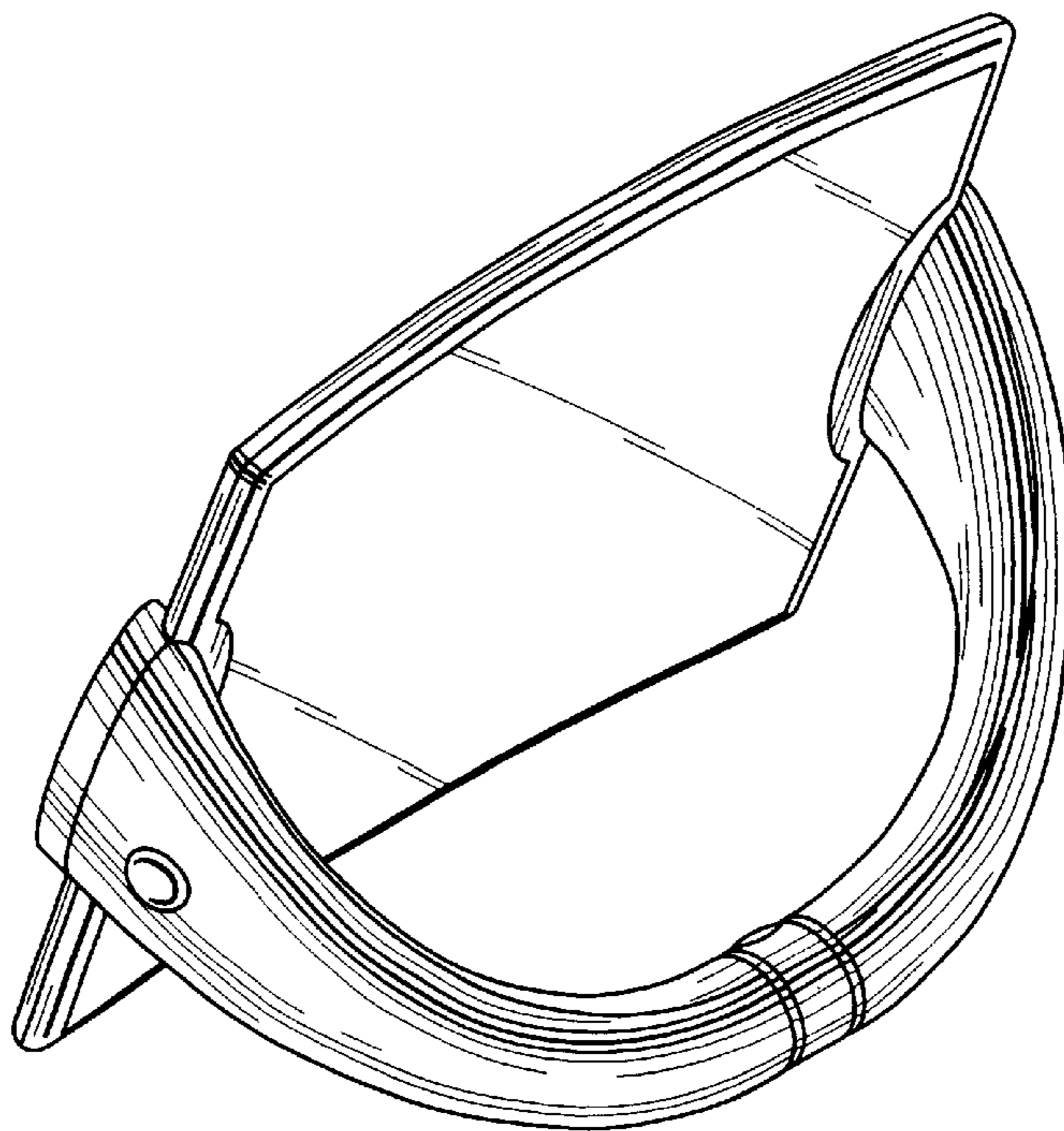


FIG.3

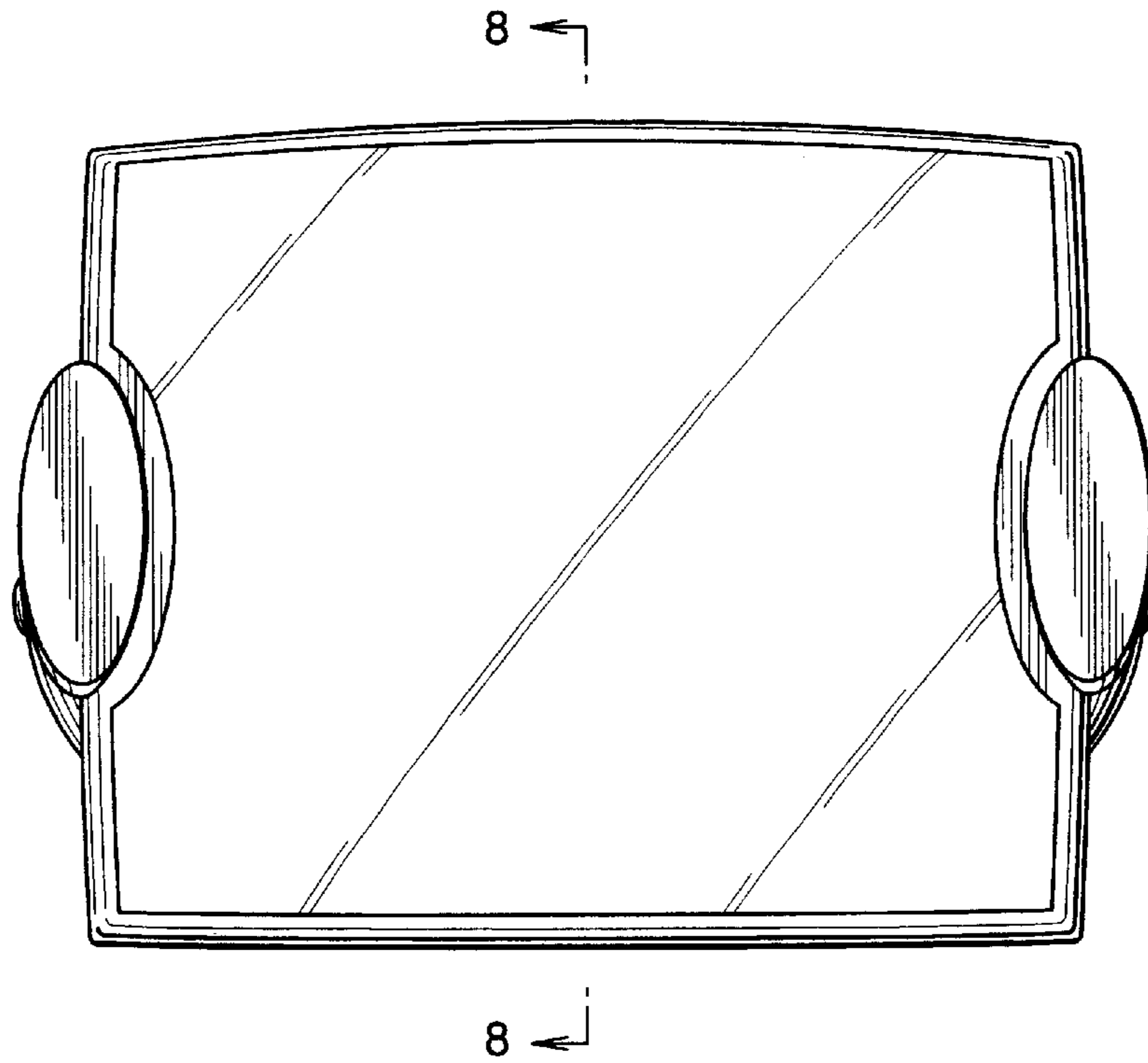


FIG.4

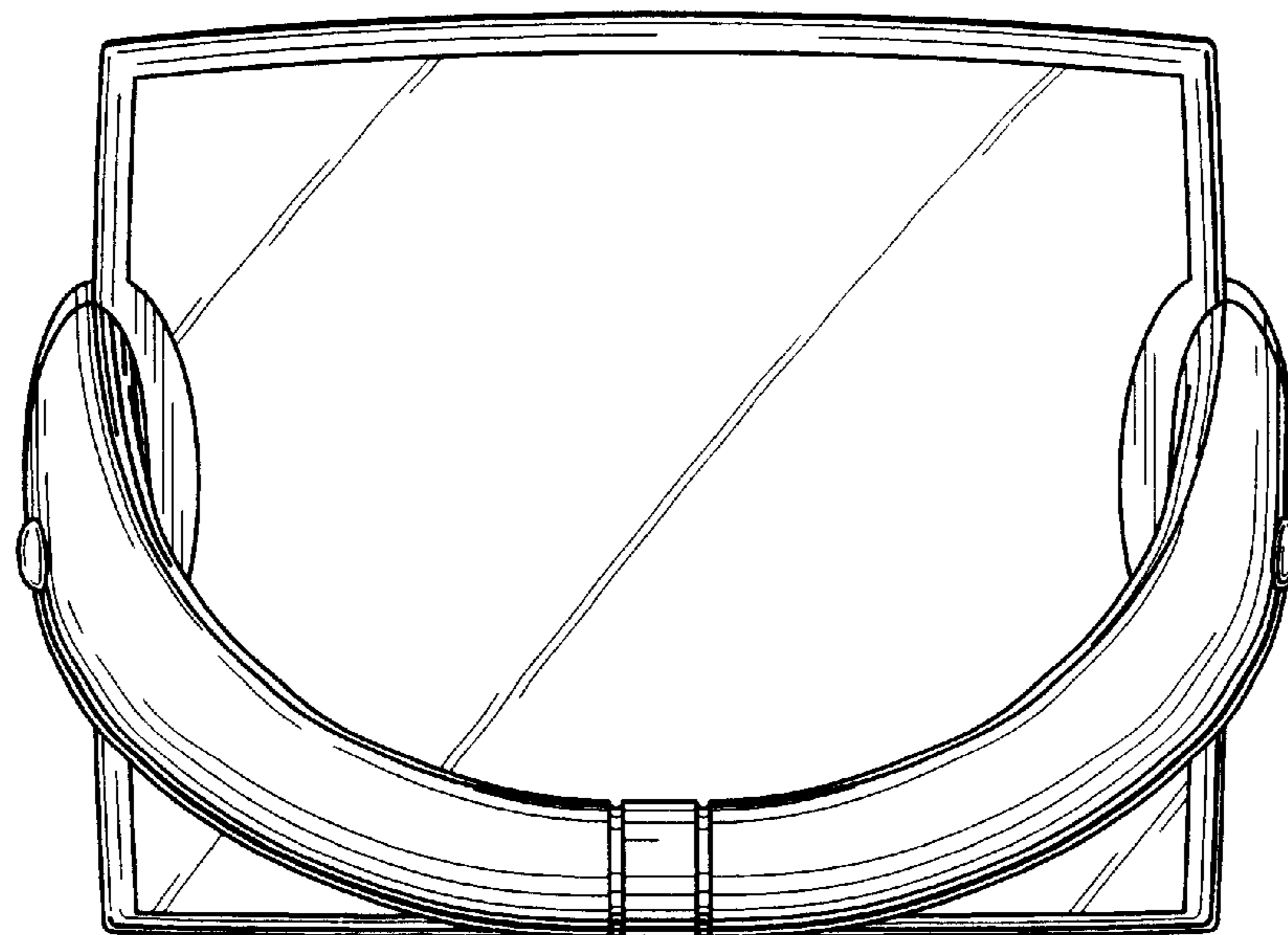


FIG. 5

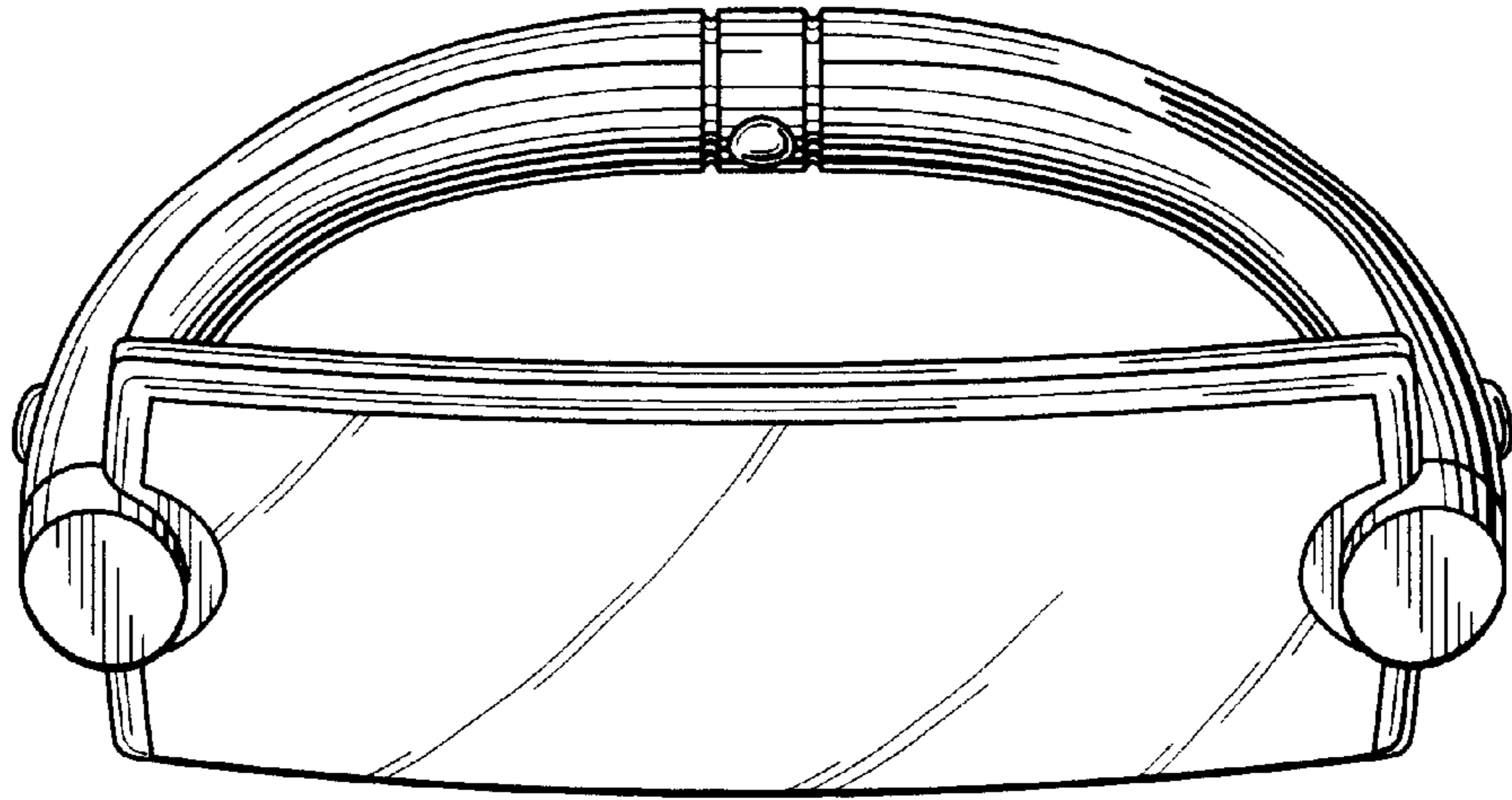


FIG. 6

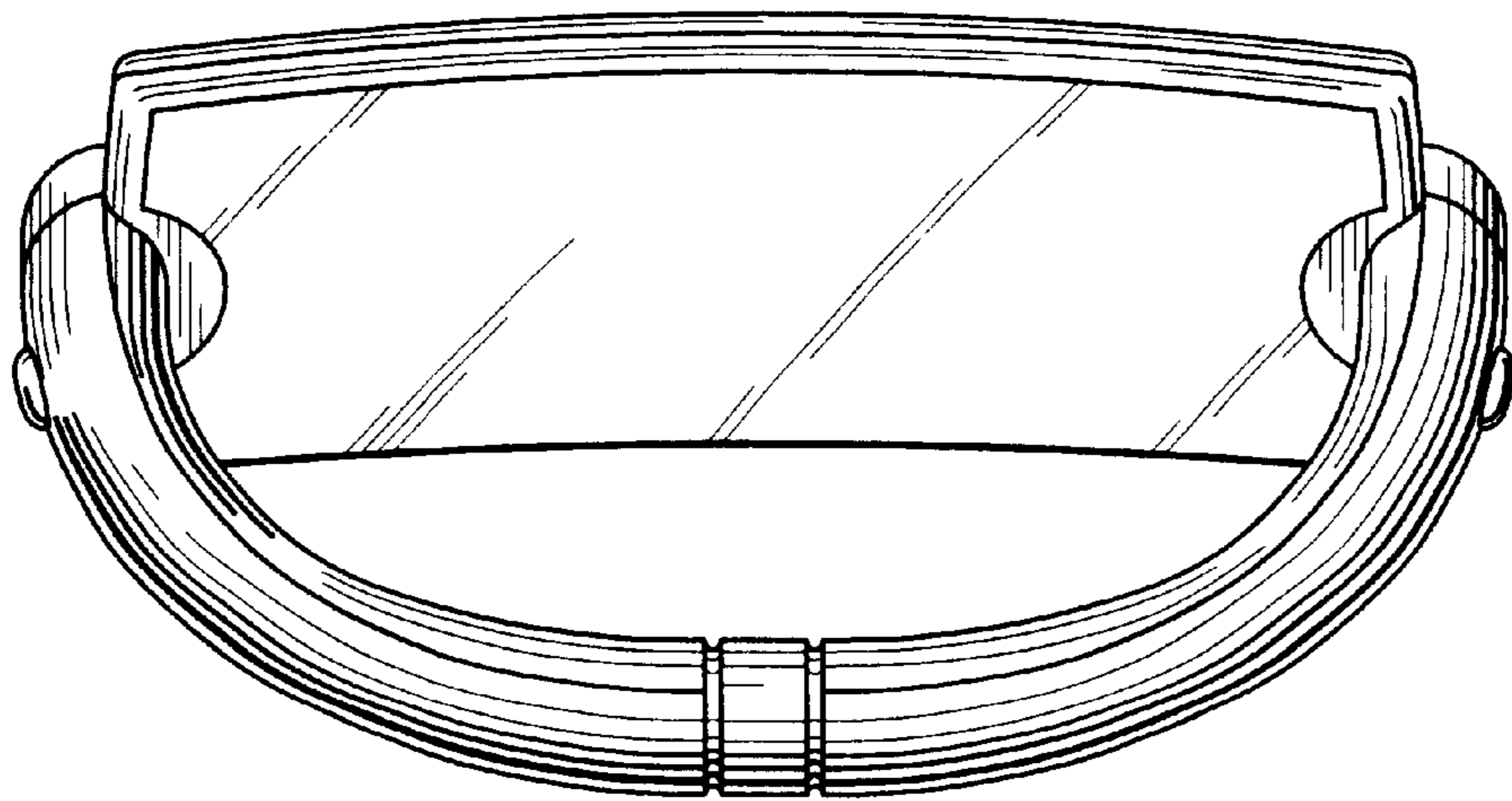


FIG. 7

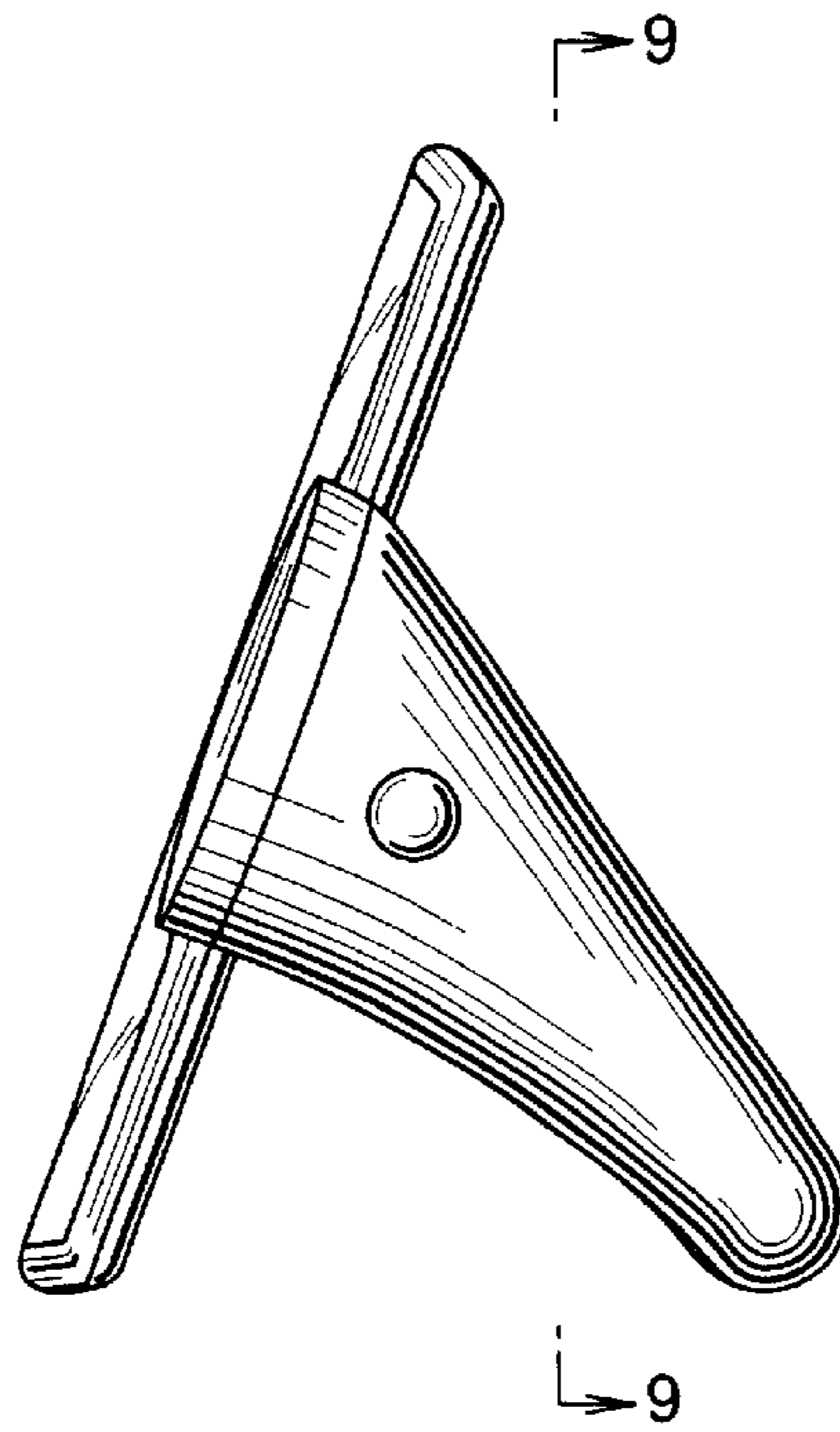


FIG. 8

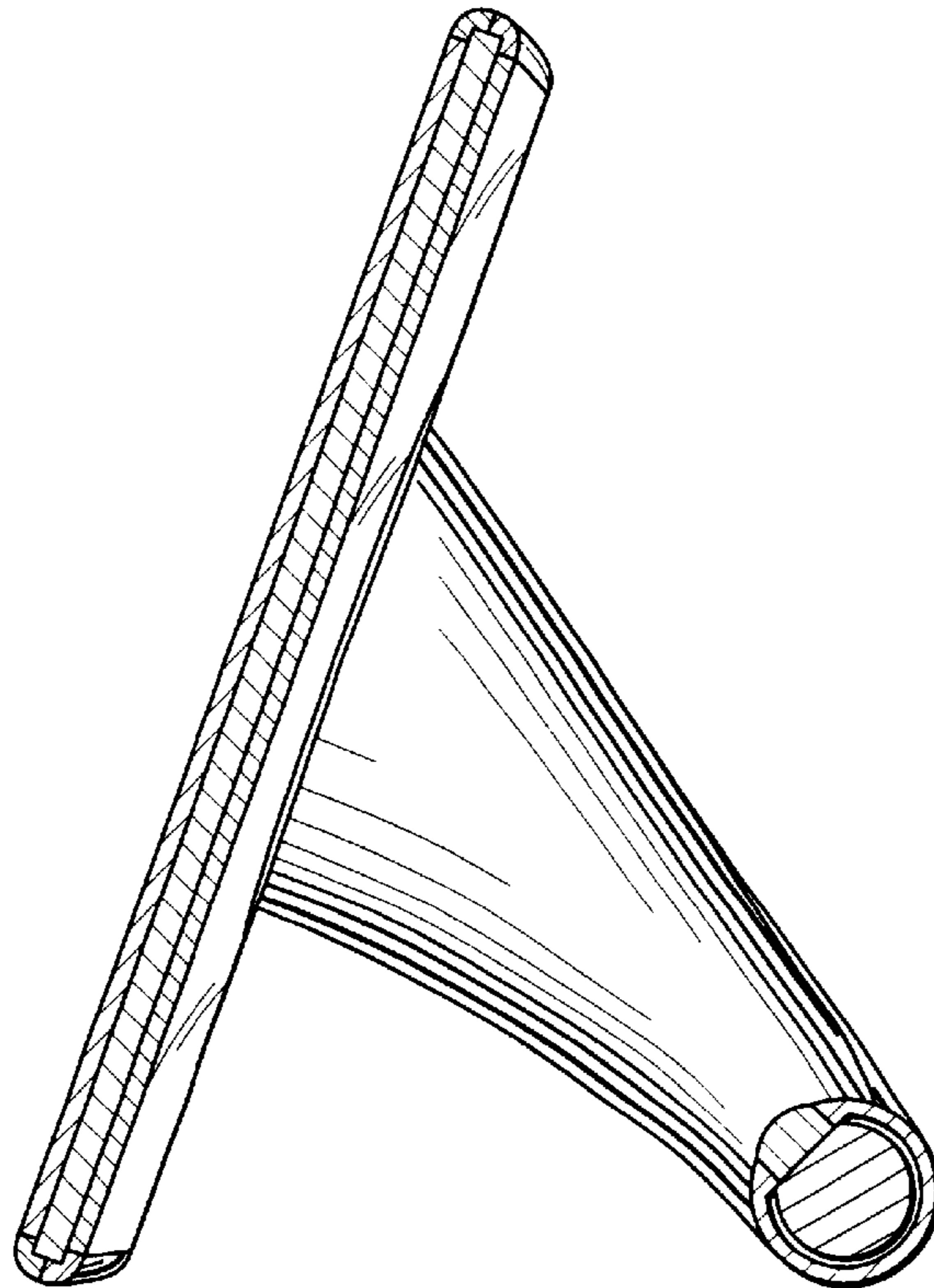


FIG. 9

