



US00D453150S

(12) **United States Design Patent**  
**Murray**

(10) **Patent No.:** **US D453,150 S**

(45) **Date of Patent:** **\*\* Jan. 29, 2002**

(54) **MOBILE PHONE**

(75) **Inventor:** **Joshua D. Murray, Malmö (SE)**

(73) **Assignee:** **Telefonaktiebolaget LM Ericsson (publ), Stockholm (SE)**

(\*\*) **Term:** **14 Years**

(21) **Appl. No.:** **29/130,167**

(22) **Filed:** **Sep. 29, 2000**

(30) **Foreign Application Priority Data**

May 5, 2000 (SE) ..... 00-0877

(51) **LOC (7) Cl.** ..... **14-03**

(52) **U.S. Cl.** ..... **D14/138**

(58) **Field of Search** ..... D14/137, 138,  
D14/218, 147-148, 247-248, 144, 341-347;  
379/433.01-433.13, 419, 434, 428.01-428.04,  
420.01-420.04, 440; 455/550-575, 90

(56) **References Cited**

**U.S. PATENT DOCUMENTS**

D394,857 S	*	6/1998	Sun	.....	D14/138
D403,317 S	*	12/1998	Waldner	.....	D14/138
D406,133 S	*	2/1999	Hackbarth	.....	D14/138
D407,719 S	*	4/1999	Nagano et al.	.....	D14/138
D412,902 S	*	8/1999	Collins et al.	.....	D14/138
D415,149 S	*	10/1999	Vuolteenaho et al.	.....	D14/138
D415,489 S	*	10/1999	Ke	.....	D14/138
D422,276 S	*	4/2000	Collins et al.	.....	D14/138
D423,494 S	*	4/2000	Waldner	.....	D14/138

D425,057 S	*	5/2000	Finkbeiner	.....	D14/138
D427,984 S	*	7/2000	Anderson et al.	.....	D14/138
D428,401 S	*	7/2000	Curtis	.....	D14/138
6,131,018 A	*	10/2000	De Crouy-Chanel et al.	.....	455/90
D434,744 S	*	12/2000	Lai	.....	D14/138
D436,584 S	*	1/2001	Jen	.....	D14/138
D436,938 S	*	1/2001	Won	.....	D14/138
D439,573 S	*	3/2001	DeLeon	.....	D14/138
D442,929 S	*	5/2001	Eckholm	.....	D14/138
D443,600 S	*	6/2001	Ogawa	.....	D14/138
D445,102 S	*	7/2001	Lai	.....	D14/138
D446,200 S	*	8/2001	Ko	.....	D14/138

\* cited by examiner

*Primary Examiner*—Jeffrey Asch

(74) *Attorney, Agent, or Firm*—Burns, Doane, Swecker & Mathis, L.L.P.

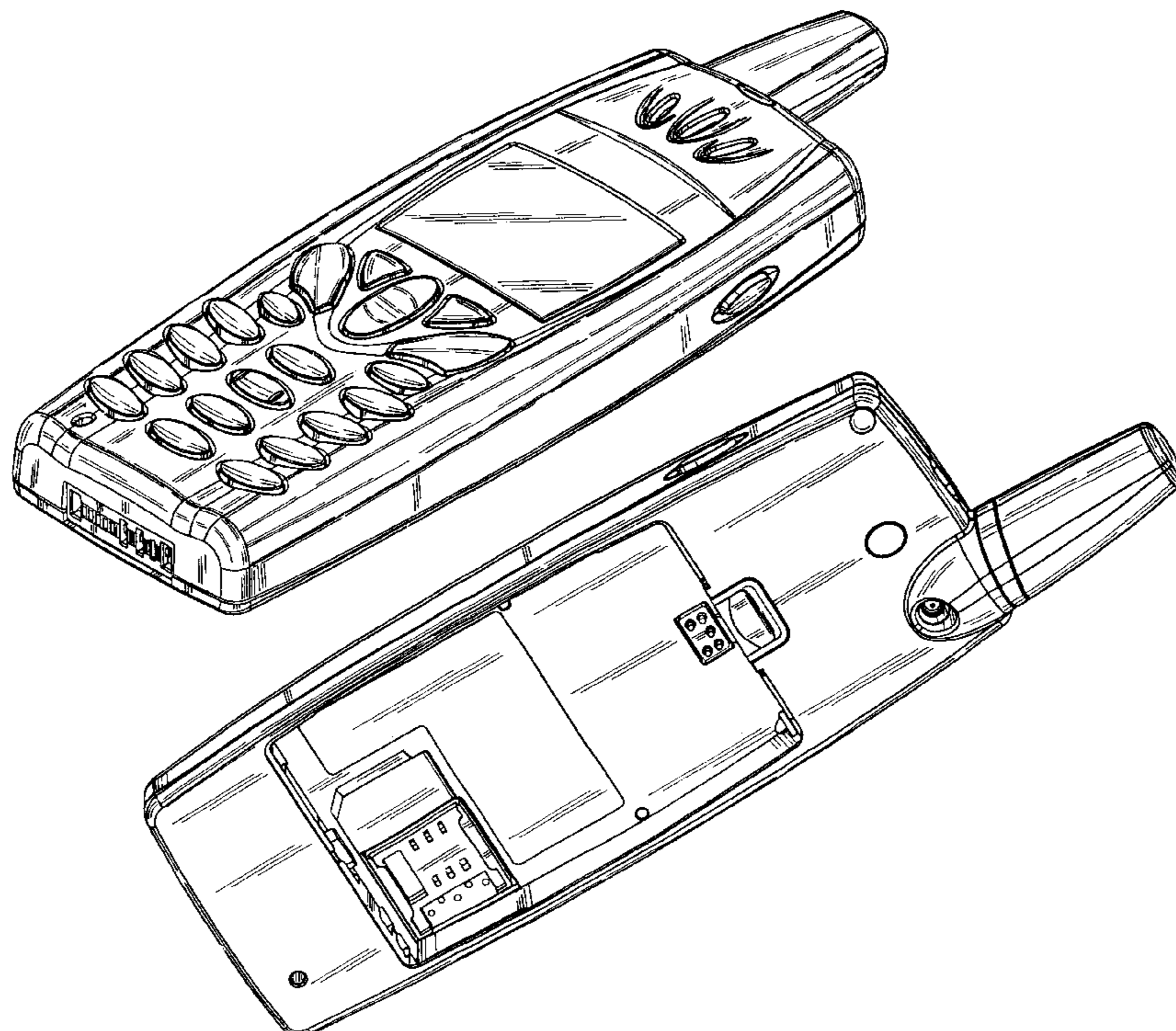
(57) **CLAIM**

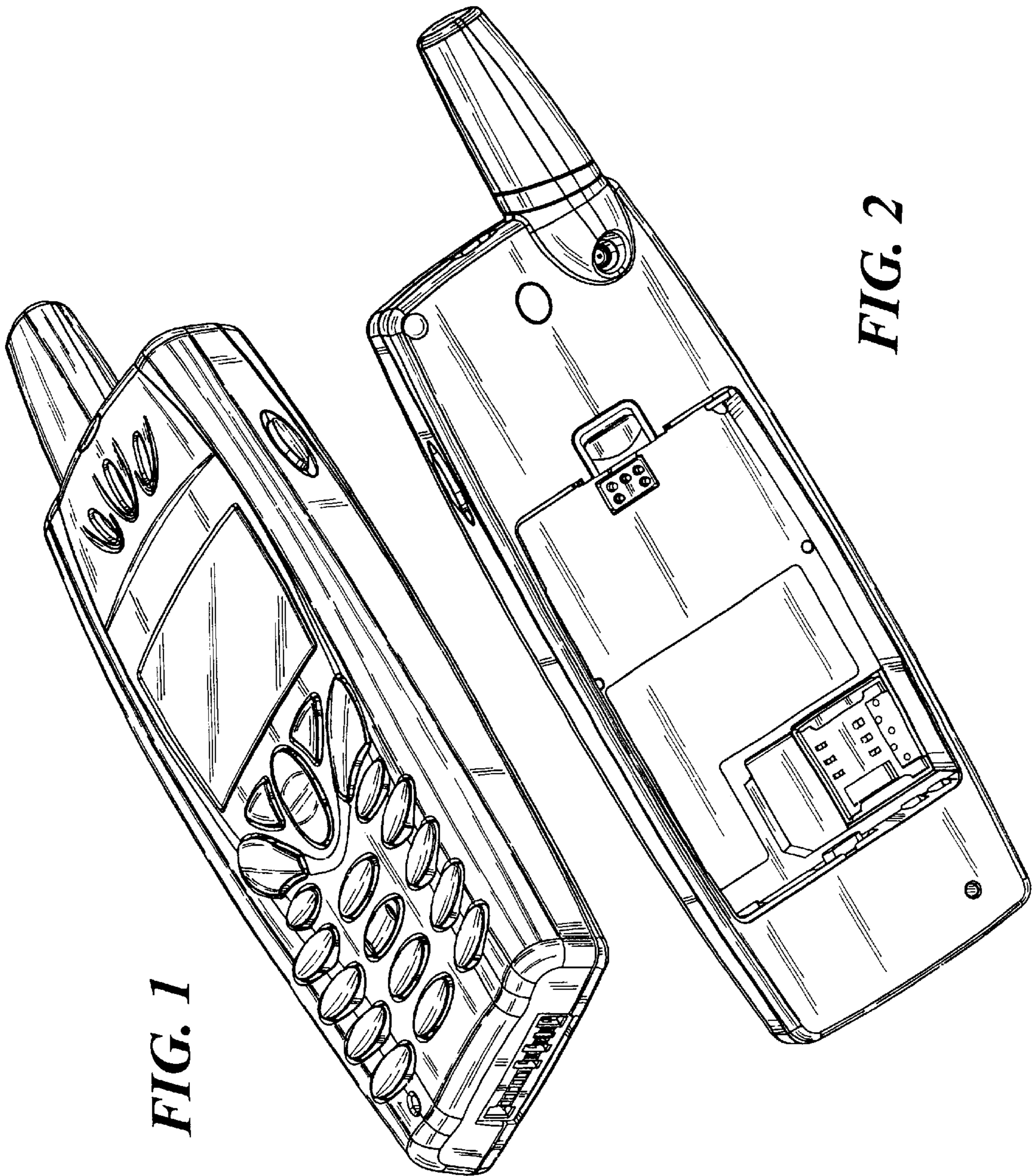
The ornamental design for a mobile phone, as shown and described.

**DESCRIPTION**

FIG. 1 is a front, side perspective view of a mobile phone showing my new design;  
FIG. 2 is a rear, side perspective view thereof;  
FIG. 3 is a front elevational view thereof;  
FIG. 4 is a right side elevational view thereof;  
FIG. 5 is a left side elevational view thereof;  
FIG. 6 is a rear elevational view thereof;  
FIG. 7 is a top plan view thereof; and,  
FIG. 8 is a bottom plan view thereof.

**1 Claim, 3 Drawing Sheets**





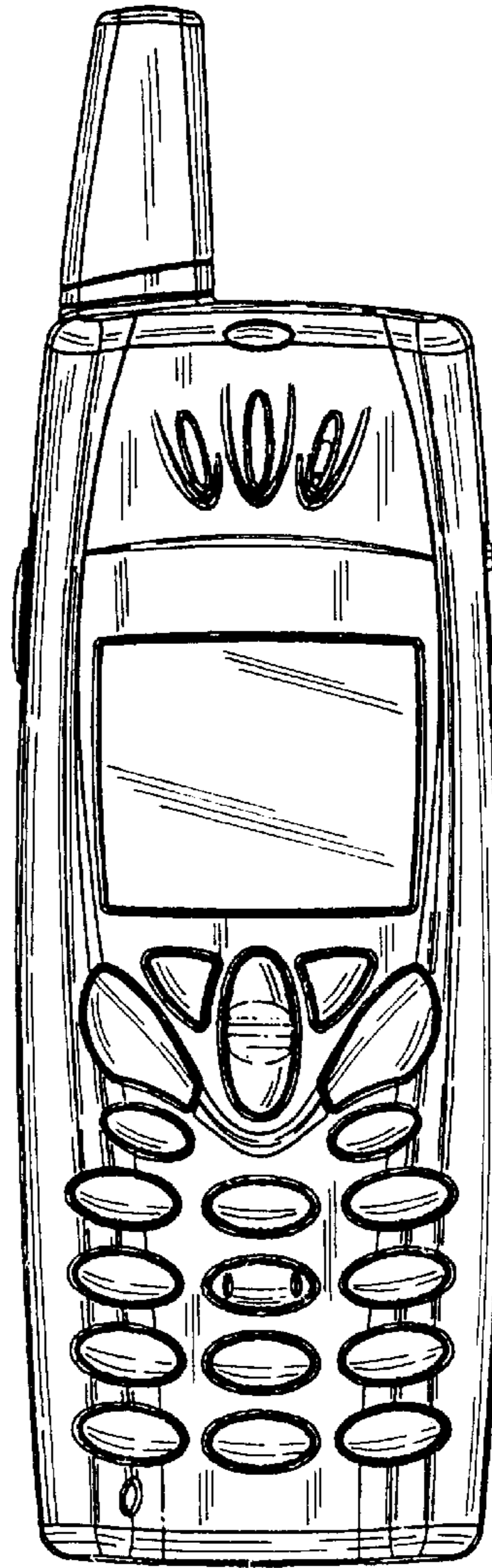
**FIG. 1**

**FIG. 2**

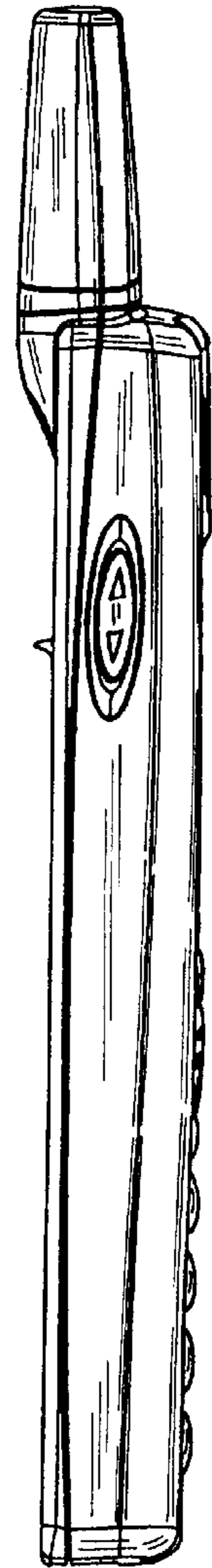




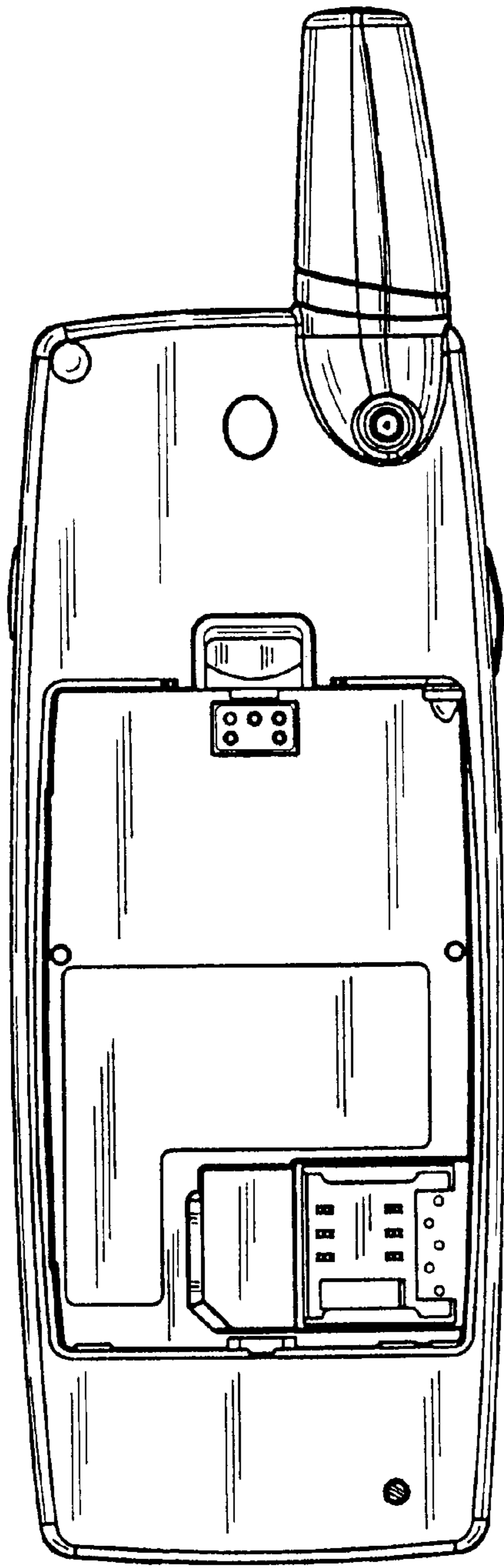
**FIG. 4**



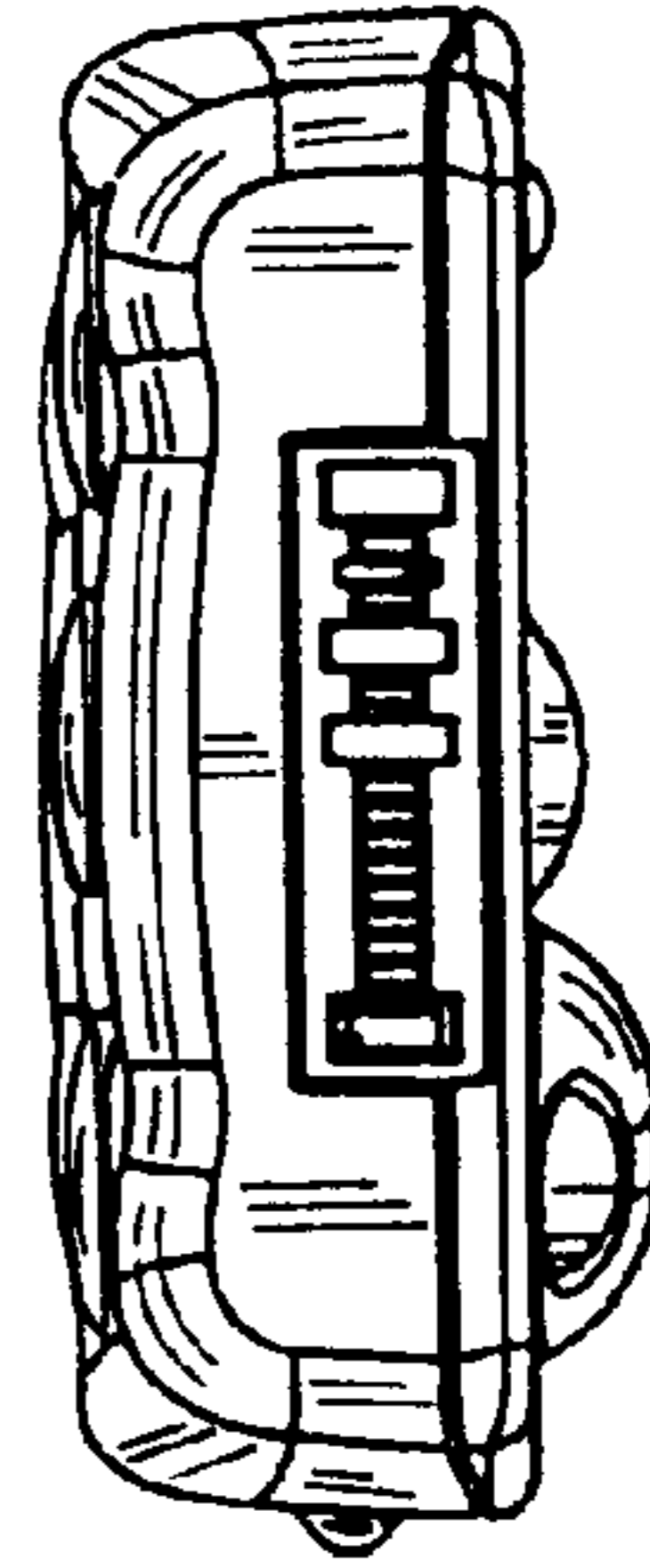
**FIG. 3**



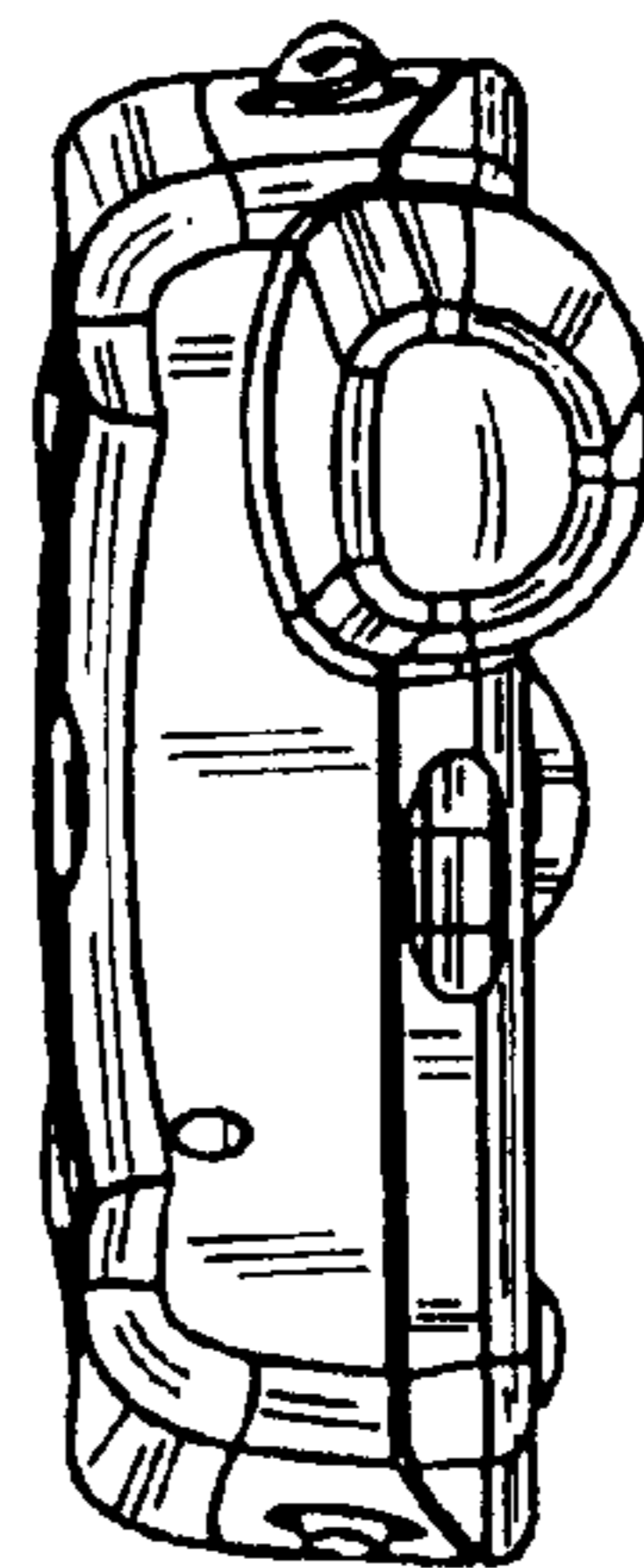
**FIG. 5**



**FIG. 6**



**FIG. 8**



**FIG. 7**