



US00D453149S

(12) **United States Design Patent**
Skoger et al.

(10) **Patent No.:** **US D453,149 S**

(45) **Date of Patent:** **** Jan. 29, 2002**

(54) **SCREEN PHONE**

(75) **Inventors:** **Mårten Skoger; Stefan Magnusson,**
both of Stockholm (SE)

(73) **Assignee:** **Telefonaktiebolaget LM Ericsson**
(publ), Stockholm (SE)

(**) **Term:** **14 Years**

(21) **Appl. No.:** **29/128,218**

(22) **Filed:** **Aug. 22, 2000**

(30) **Foreign Application Priority Data**

Feb. 22, 2000 (SE) 00-0360

(51) **LOC (7) Cl.** **14-03**

(52) **U.S. Cl.** **D14/138; D14/144; D14/336;**
D14/341; D14/343

(58) **Field of Search** D14/137, 130,
D14/138, 218, 147-148, 247-248, 317,
374, 144, 191, 336, 337, 341-347, 243,
149; 379/433.01-433.13, 419, 434, 428.01-428.04,
420.01-420.04, 440, 900; 455/550-575,
90; D21/239

(56) **References Cited**

U.S. PATENT DOCUMENTS

- 4,611,406 A * 9/1986 Engstrom et al. 33/443
- D329,427 S * 9/1992 Peter et al. D14/346
- D340,701 S * 10/1993 Takeuchi D14/341
- D346,366 S * 4/1994 Kim et al. D14/342
- D356,547 S * 3/1995 Silva et al. D14/341
- D377,929 S * 2/1997 Sekino et al. D14/336
- D379,090 S * 5/1997 Maekawa et al. D14/374
- D380,201 S * 6/1997 Ross et al. D14/346
- D380,202 S * 6/1997 Matthes D14/346
- D382,253 S * 8/1997 Claxton et al. D14/339
- D385,857 S * 11/1997 Cohen et al. D14/390
- D389,465 S * 1/1998 Heiman et al. D14/336
- D392,259 S * 3/1998 Simmon D14/341
- D393,462 S * 4/1998 Morimiya D14/126
- D404,376 S * 1/1999 Shane et al. D14/341

- D404,761 S * 1/1999 Tarpenning et al. D14/341
- D415,160 S * 10/1999 Renk D14/218
- D416,253 S * 11/1999 Hibino D14/138
- D416,910 S * 11/1999 Vasquez D14/218
- D418,117 S * 12/1999 Wade et al. D14/342
- D422,271 S * 4/2000 Kawashima D14/343
- D423,508 S * 4/2000 Nakajima D14/218
- D432,511 S * 10/2000 Eckholm D14/138
- D437,593 S * 2/2001 Keeler et al. D14/336
- D438,201 S * 2/2001 Ogawa et al. D14/336
- D441,359 S * 5/2001 Iseki et al. D14/341
- D442,174 S * 5/2001 Chang D14/343
- D443,523 S * 6/2001 Duke D10/15
- D445,087 S * 7/2001 Skoger et al. D13/108
- D445,418 S * 7/2001 Chen D14/341
- D446,515 S * 8/2001 Arpe D14/336
- D447,138 S * 8/2001 Arpe D14/336
- D448,376 S * 9/2001 Lee D14/374

OTHER PUBLICATIONS

www.linuxdevices.com, Device profile: Ericsson corless
webpad/phone, updated Nov. 2000, 4 pgs.*

* cited by examiner

Primary Examiner—Jeffrey Asch

(74) *Attorney, Agent, or Firm*—Burns, Doane, Swecker &
Mathis, L.L.P.

(57) **CLAIM**

The ornamental design for a screen phone, as shown and
described.

DESCRIPTION

FIG. 1 is a front, top perspective view of a screen phone
showing our new design;
FIG. 2 is a rear perspective view thereof;
FIG. 3 is a top plan view thereof;
FIG. 4 is a bottom plan view thereof;
FIG. 5 is a right side elevational view thereof;
FIG. 6 is a left side elevational view thereof;
FIG. 7 is a rear elevational view thereof; and,
FIG. 8 is a front elevational view thereof.

1 Claim, 4 Drawing Sheets

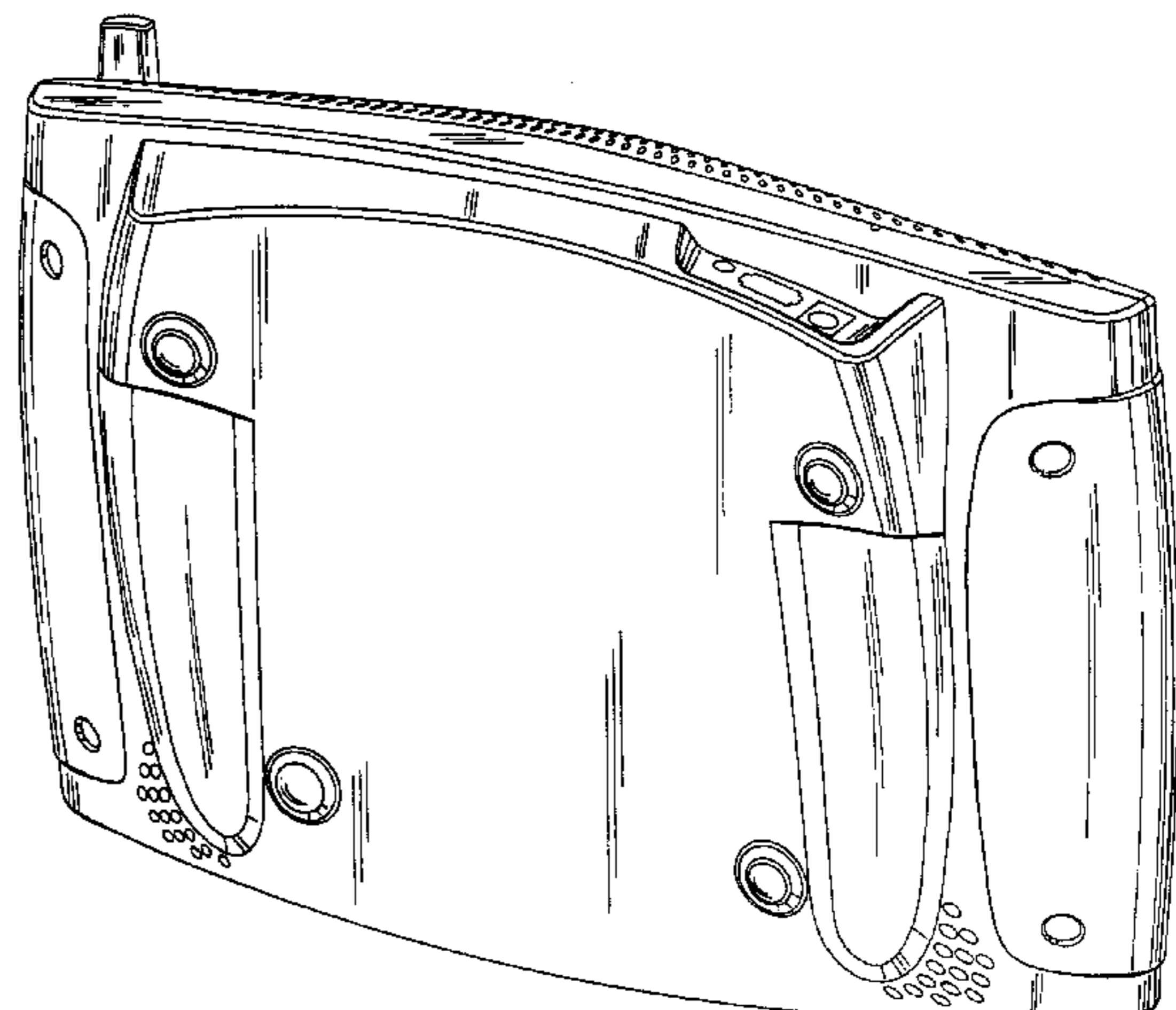
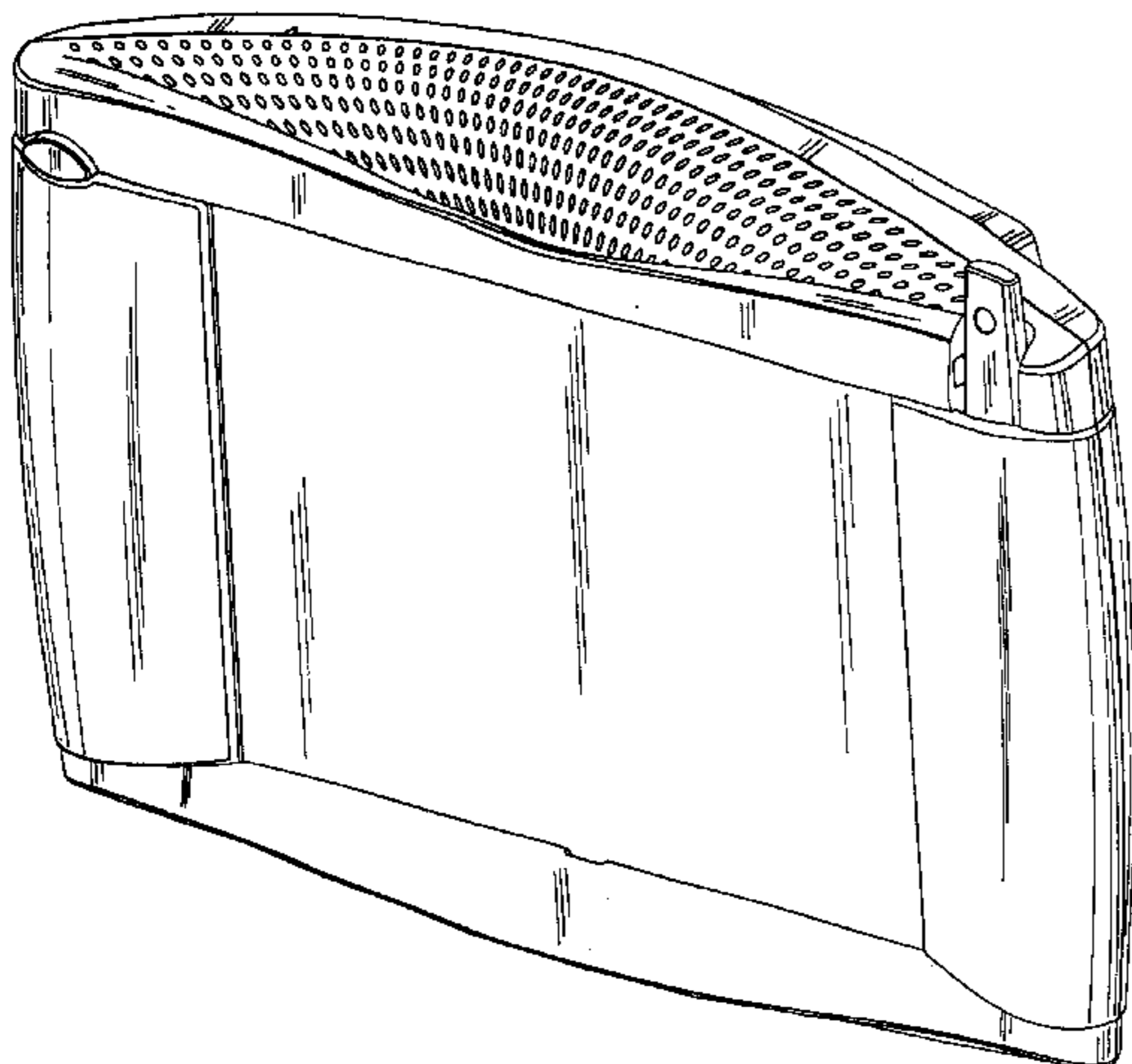


FIG. 1

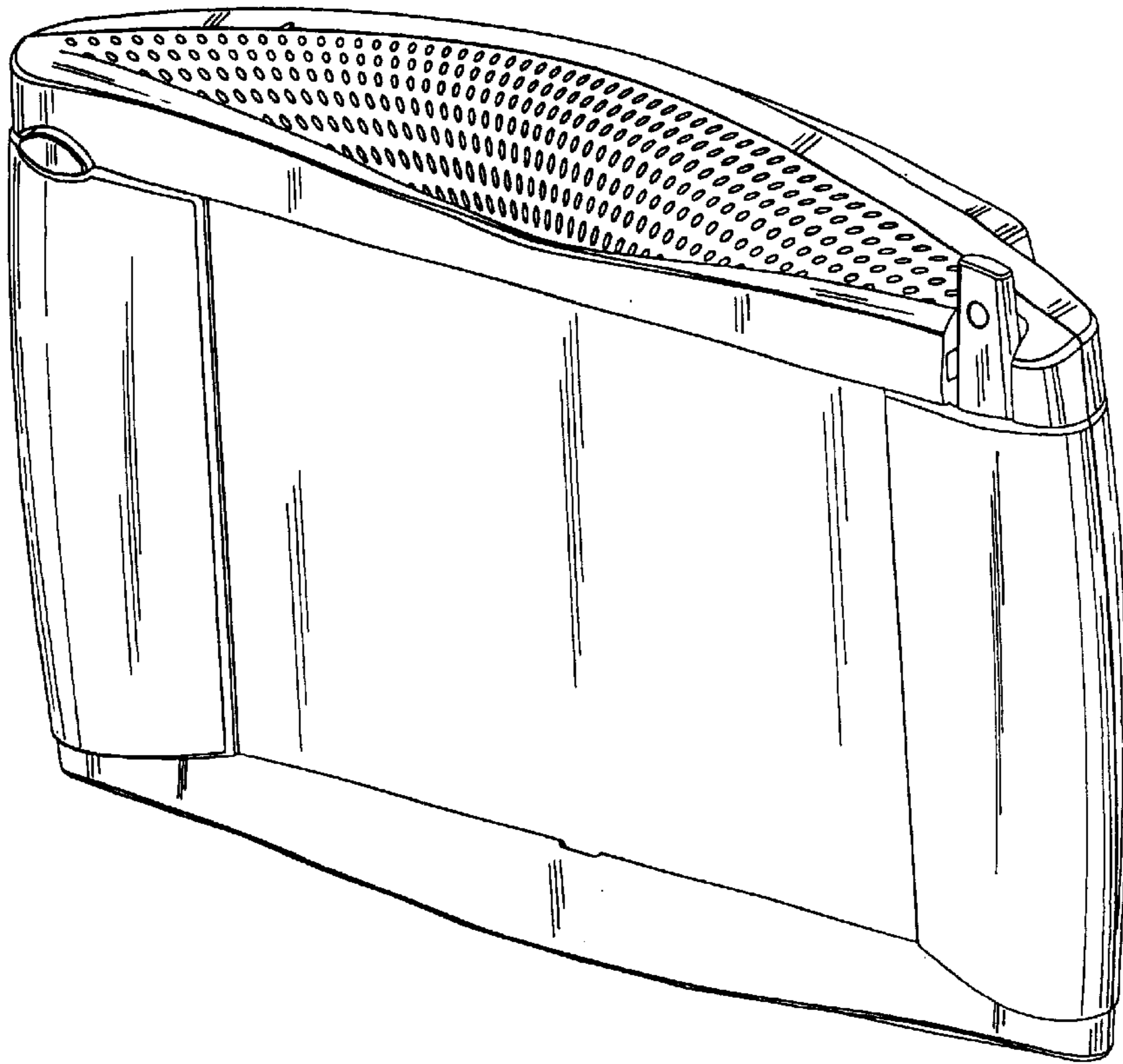
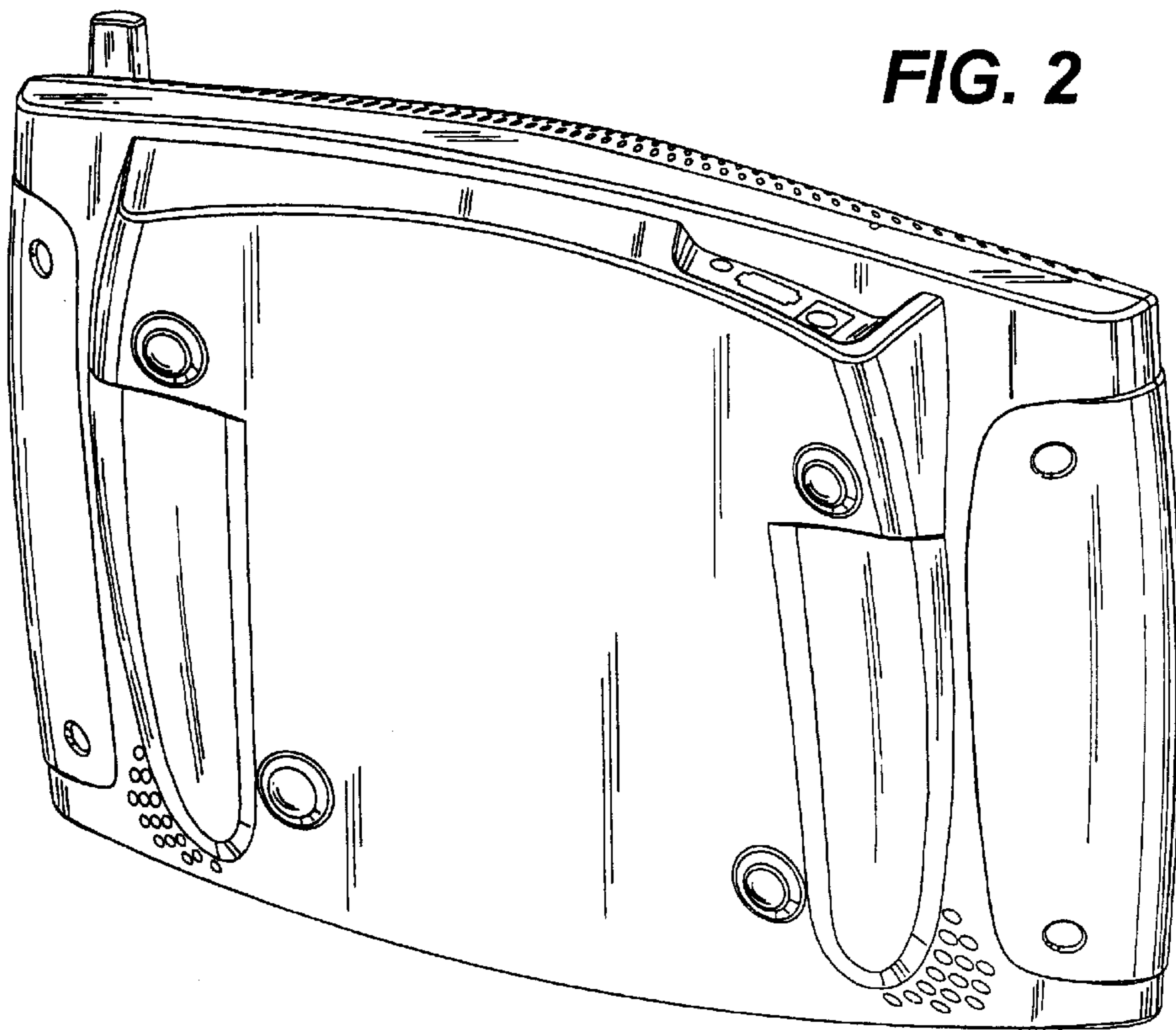


FIG. 2



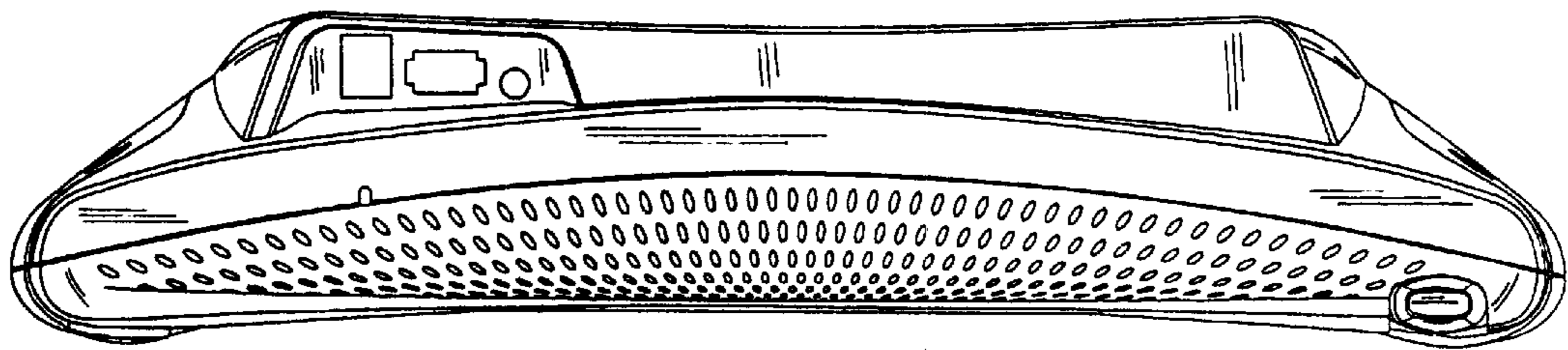


FIG. 3

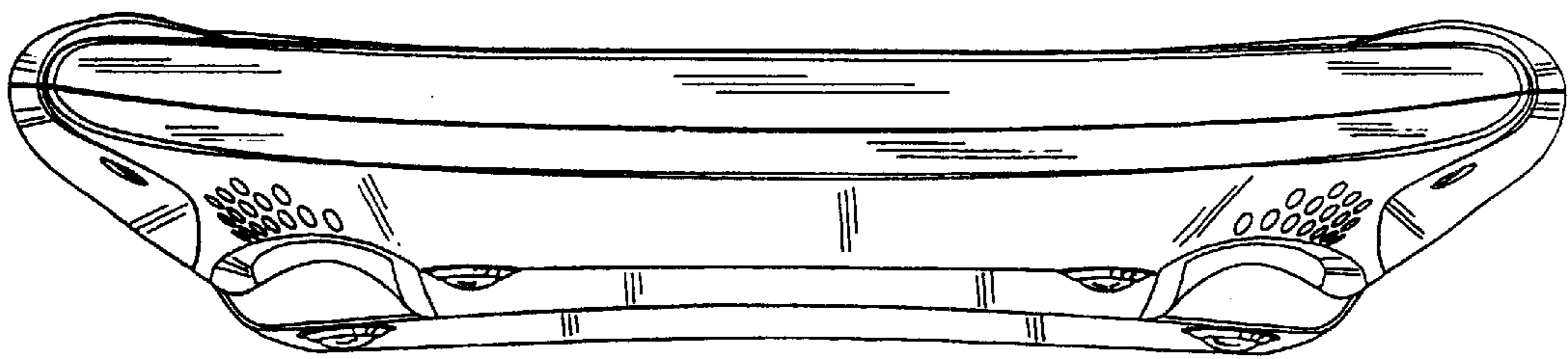


FIG. 4

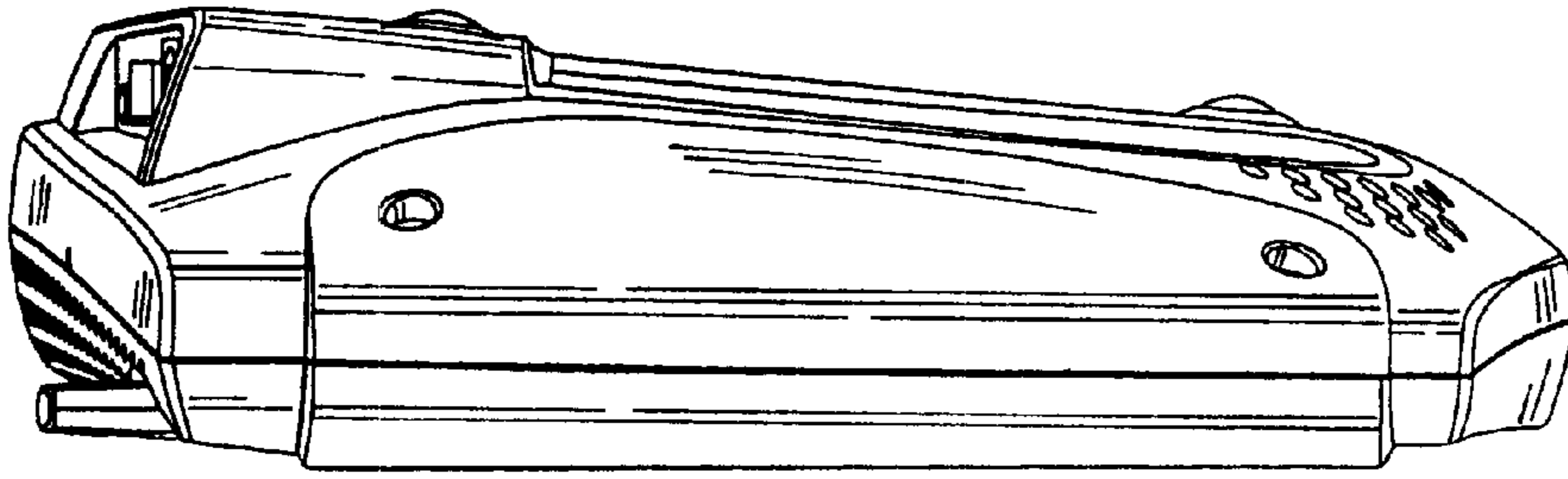


FIG. 5

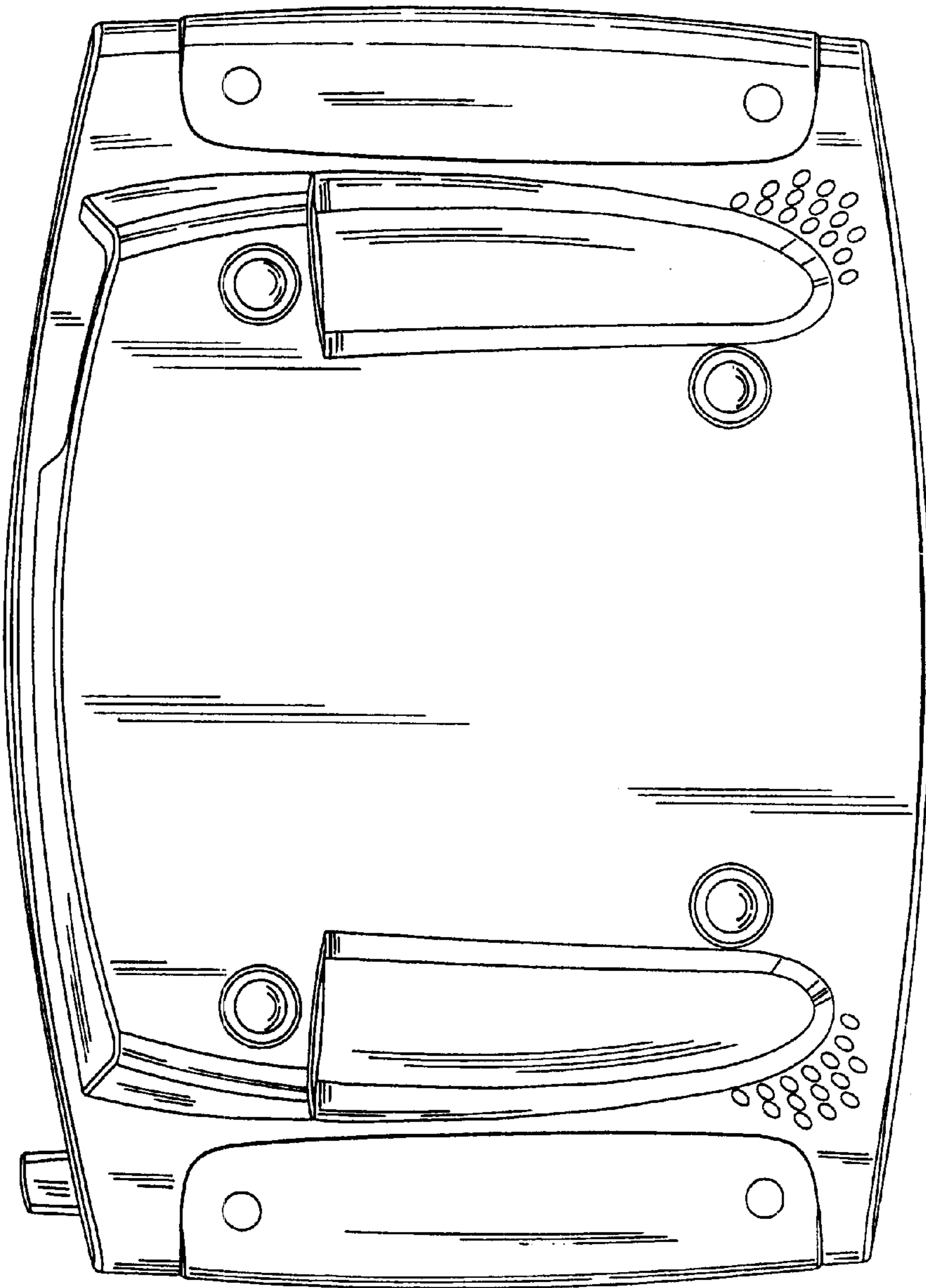


FIG. 7

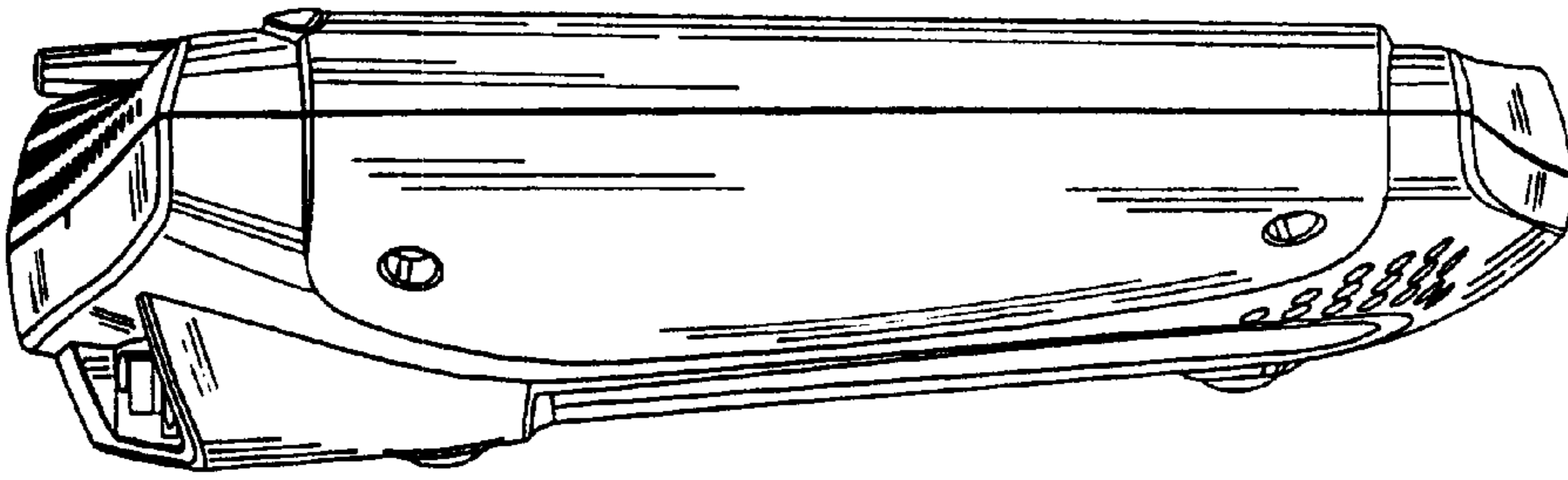


FIG. 6

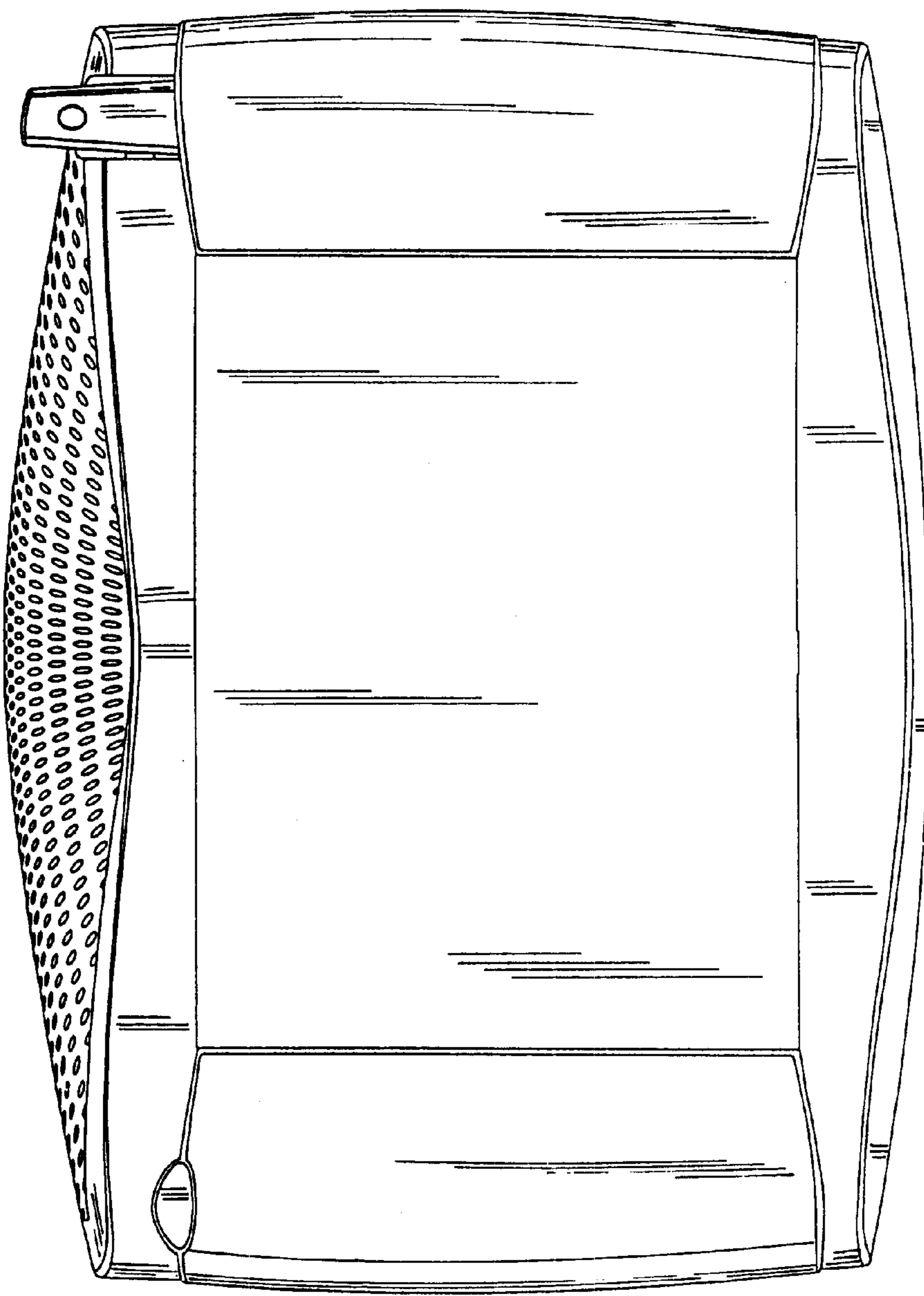


FIG. 8