



US00D453147S

(12) **United States Design Patent**
Sato et al.

(10) **Patent No.:** **US D453,147 S**
(45) **Date of Patent:** **** Jan. 29, 2002**

(54) **PHOTOELECTRIC SWITCH**

OTHER PUBLICATIONS

(75) Inventors: **Toshinori Sato; Toshiyuki Higuchi,**
both of Kyoto (JP)

Keyence Corporation, Sensor 2000, Product Nos. FS01 and FS-V1, Japan (undated).

(73) Assignee: **Omron Corporation,** Kyoto (JP)

* cited by examiner

(**) Term: **14 Years**

Primary Examiner—Ted Shooman

Assistant Examiner—Selina Sikder

(21) Appl. No.: **29/124,039**

(74) *Attorney, Agent, or Firm*—Dickstein Shapiro Morin & Oshinsky LLP

(22) Filed: **May 30, 2000**

(30) **Foreign Application Priority Data**

(57) **CLAIM**

Nov. 30, 1999 (JP) 11-33064

The ornamental design for a photoelectric switch, as shown and described.

(51) **LOC (7) Cl.** **13-03**

DESCRIPTION

(52) **U.S. Cl.** **D13/165**

(58) **Field of Search** D13/158, 159,
D13/164, 165, 170; 250/201.1, 206, 239,
221, 222.1

FIG. 1 is a perspective view of the top, front and right side of a photoelectric switch showing our new design;

FIG. 2 is a perspective view of the top, rear and left side thereof;

FIG. 3 is a top plan view thereof;

FIG. 4 is a front view thereof;

FIG. 5 is a bottom view thereof;

FIG. 6 is a left side view thereof;

FIG. 7 is a right side view thereof;

FIG. 8 is a rear view thereof; and,

FIG. 9 is a perspective view thereof with the cover in open condition.

(56) **References Cited**

U.S. PATENT DOCUMENTS

- 3,584,222 A * 6/1971 Nesbitt 250/206
- D224,318 S * 7/1972 Kelm D13/165
- D313,397 S * 1/1991 Willcox D13/168
- 5,003,169 A * 3/1991 Sakaguchi 250/221
- D325,376 S * 4/1992 Krasser D13/160
- D421,422 S * 3/2000 La Police D13/165
- 6,140,633 A * 10/2000 Iwasaki et al. 250/221

FOREIGN PATENT DOCUMENTS

JP 1057950 9/1999

1 Claim, 4 Drawing Sheets

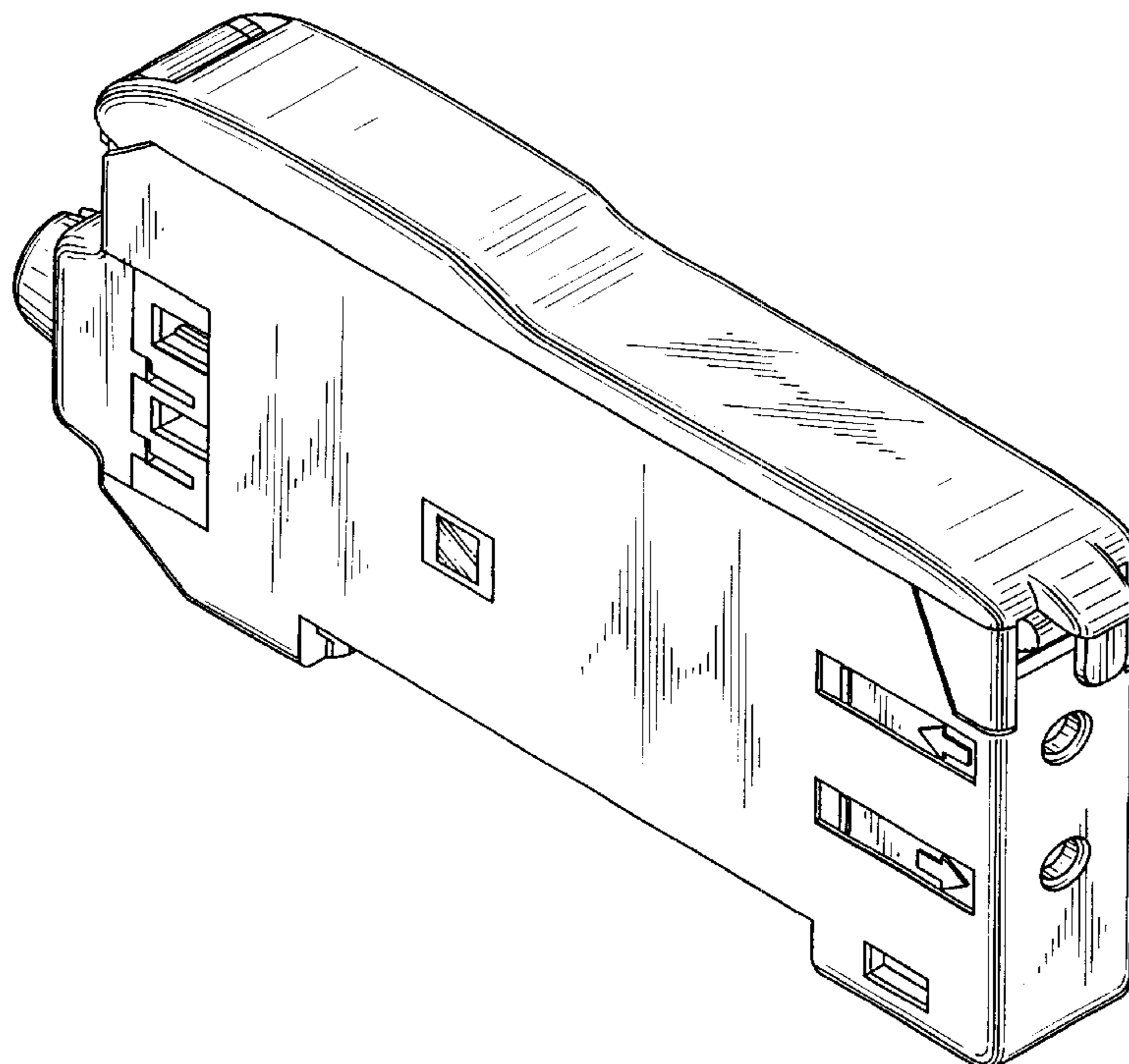


FIG. 1

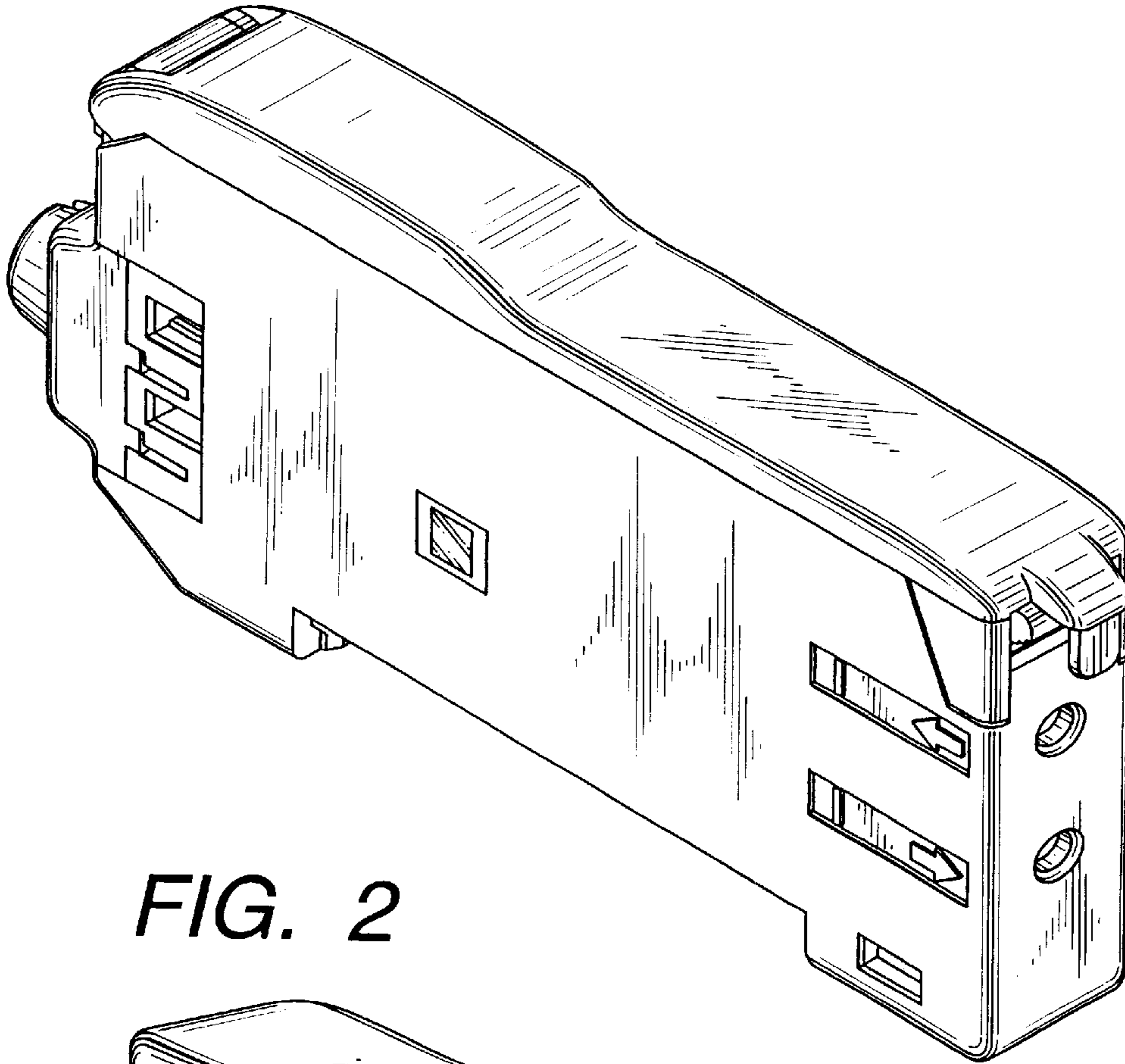


FIG. 2

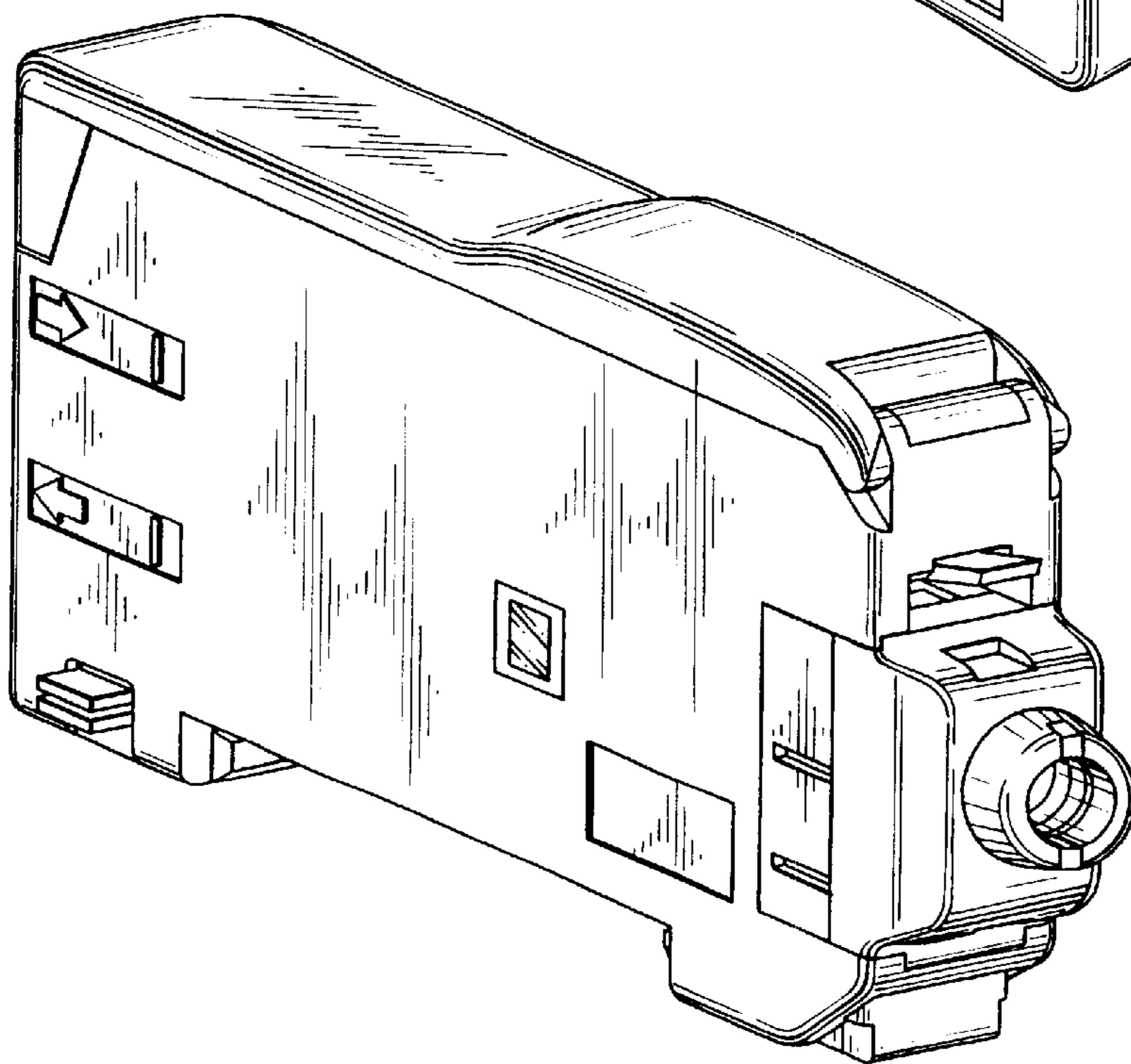


FIG. 3

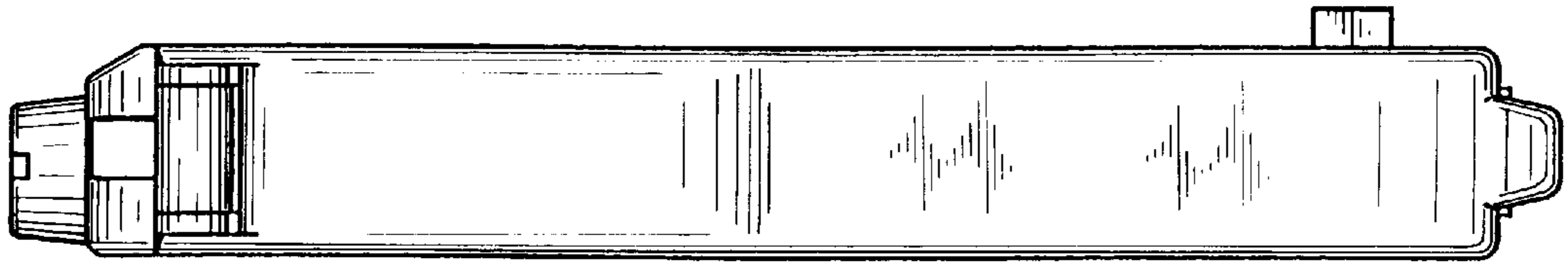


FIG. 4

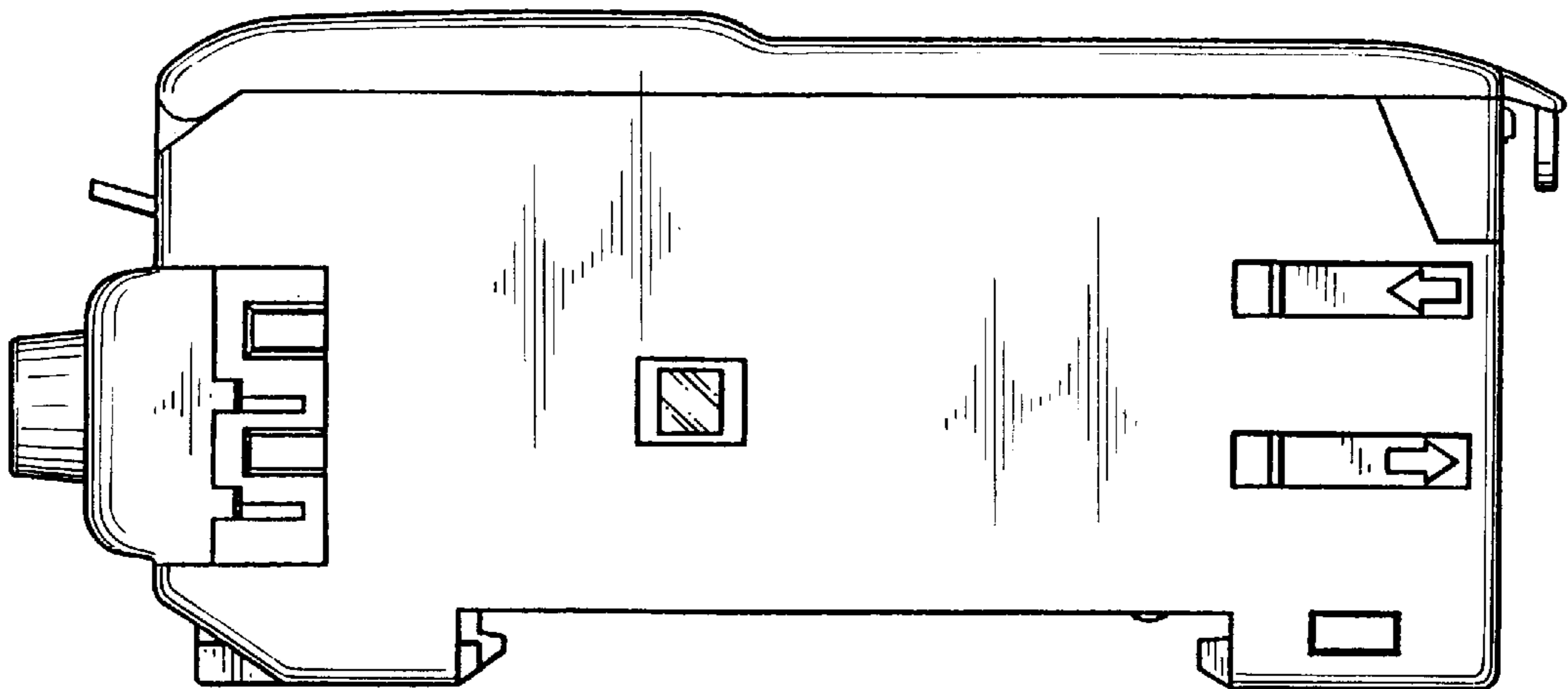


FIG. 5

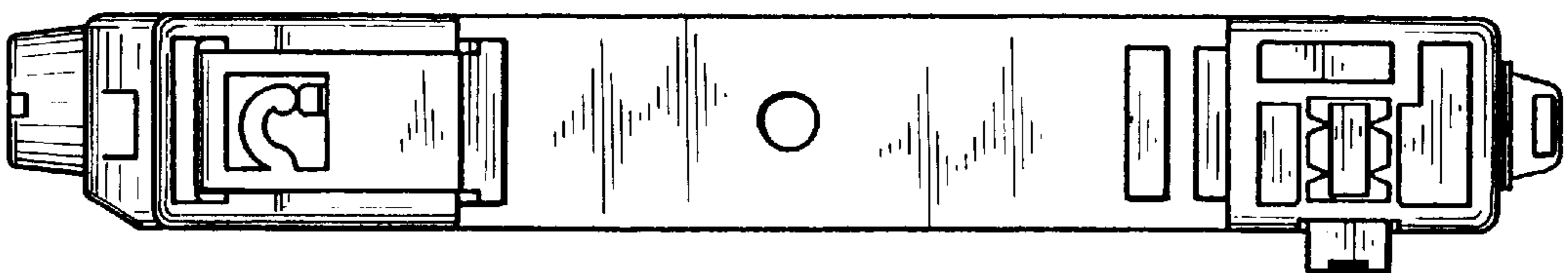


FIG. 6

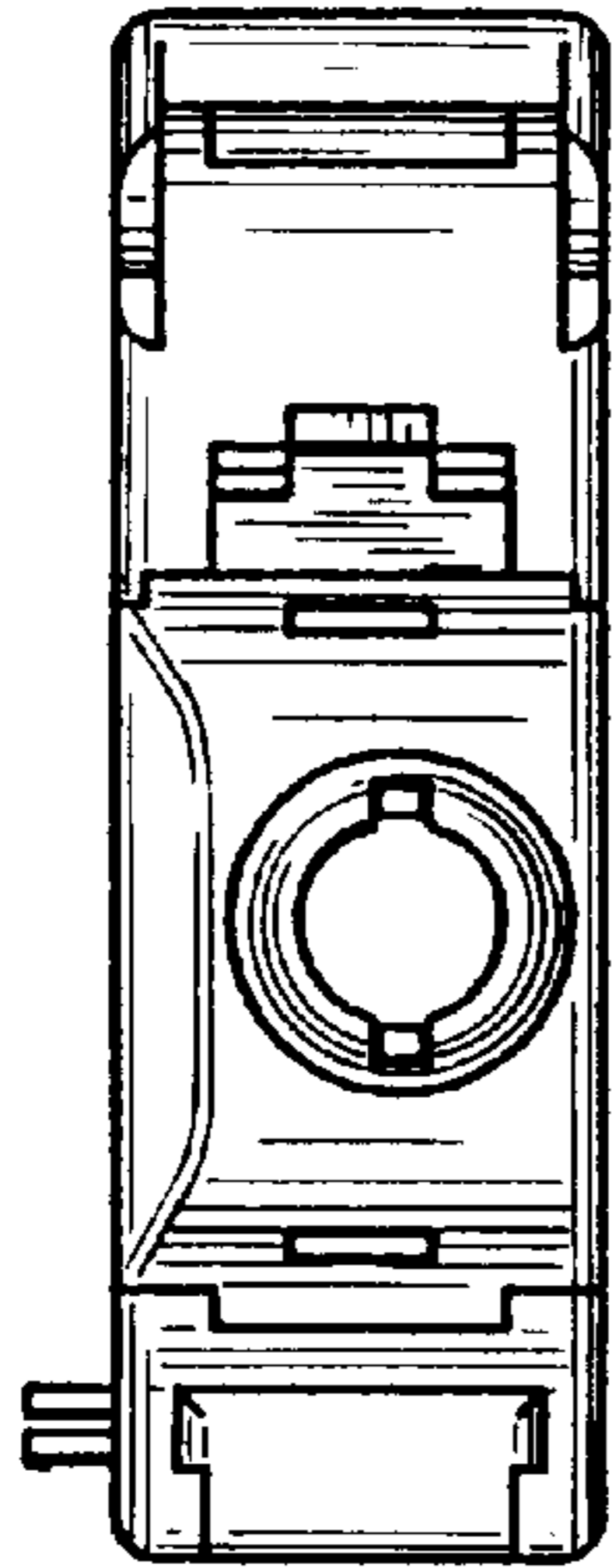


FIG. 7

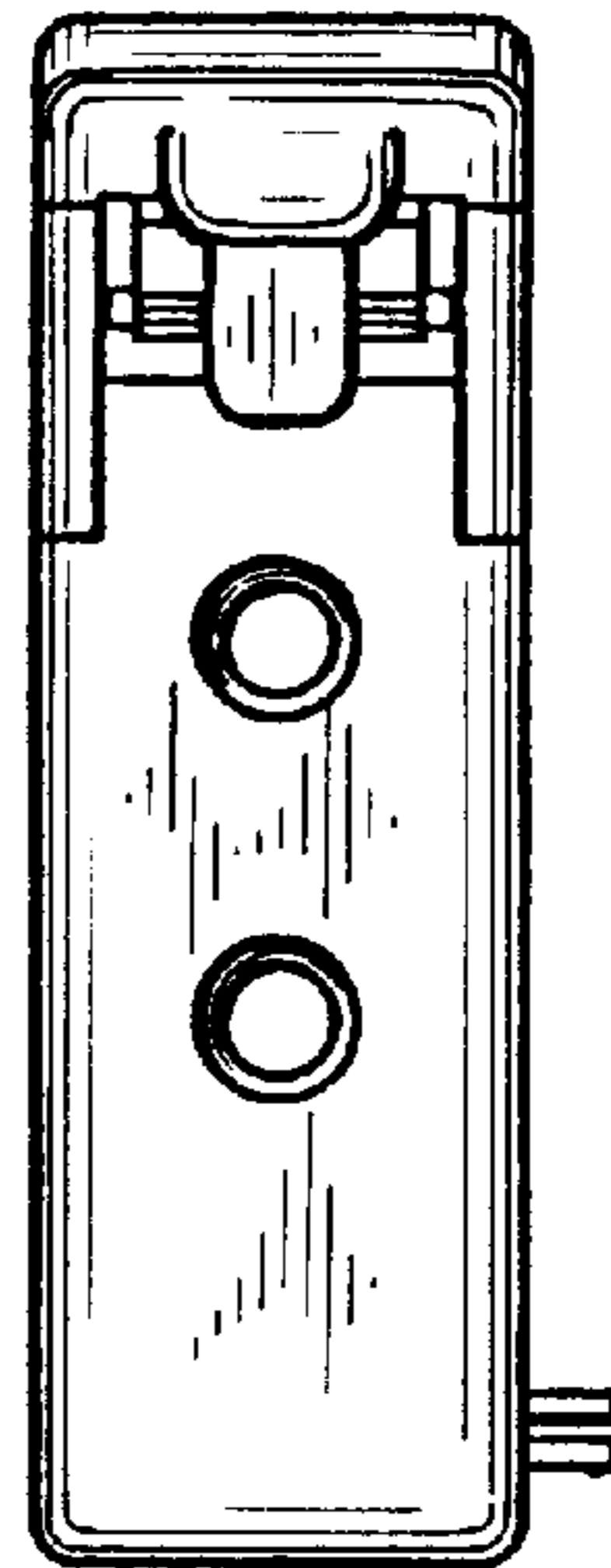


FIG. 8

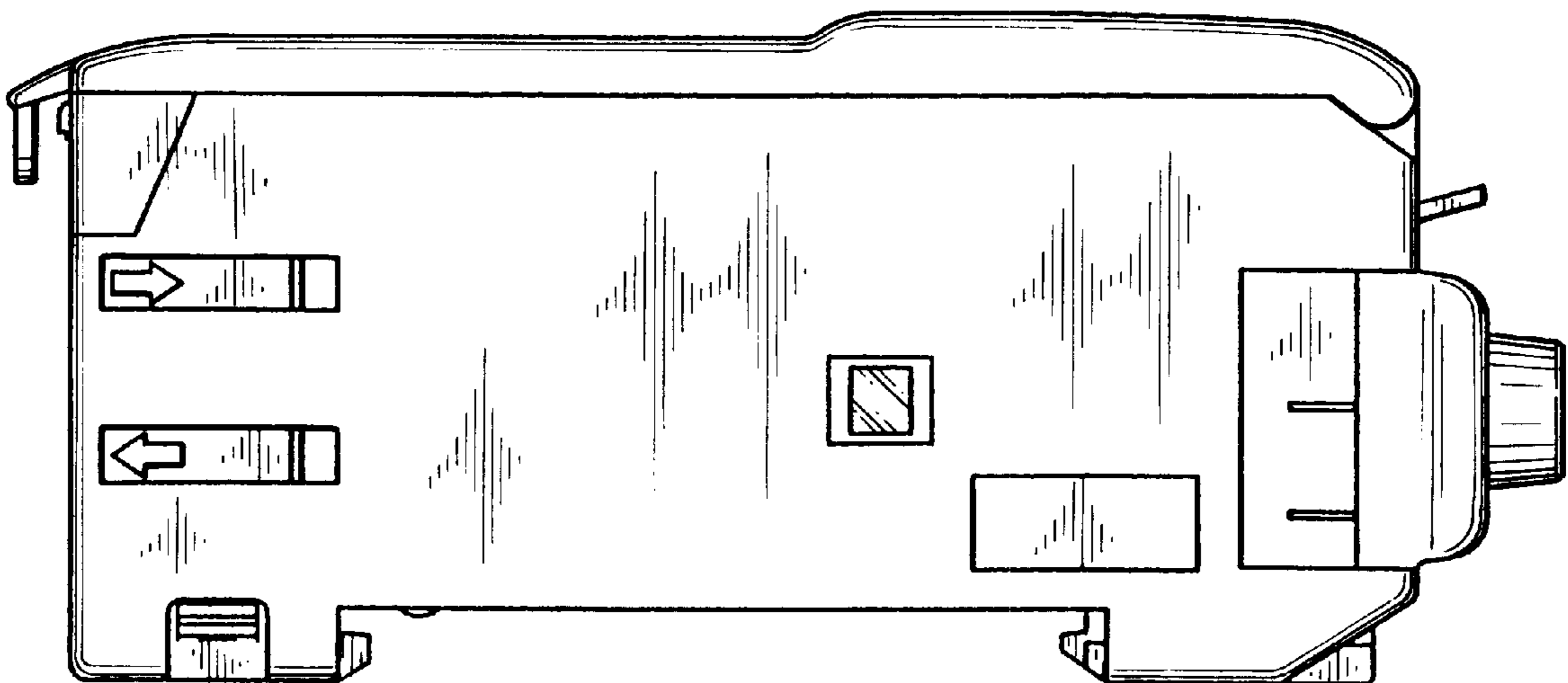


FIG. 9

