



US00D453145S

(12) **United States Design Patent**
Sato et al.

(10) **Patent No.:** **US D453,145 S**
(45) **Date of Patent:** **** Jan. 29, 2002**

(54) **ELECTRICAL CONNECTOR**

(75) Inventors: **Yukiko Sato**, Akishima; **Yoshifumi Kubota**, Tokyo; **Osamu Takagi**, Oume, all of (JP)

(73) Assignee: **Japan Aviation Electronics Industry, Limited**, Tokyo (JP)

(**) Term: **14 Years**

(21) Appl. No.: **29/141,605**

(22) Filed: **May 9, 2001**

(30) **Foreign Application Priority Data**

Nov. 15, 2000 (JP) 12-036582

(51) **LOC (7) Cl.** **13-03**

(52) **U.S. Cl.** **D13/147**

(58) **Field of Search** D13/146, 147;
439/108, 607, 608, 677-681, 638, 639,
752, 63, 578

(56) **References Cited**

U.S. PATENT DOCUMENTS

- 4,946,392 A * 8/1990 Kobler et al. 439/63
- 5,234,353 A * 8/1993 Scholz et al. 439/289
- 5,454,734 A * 10/1995 Eggert et al. 439/578
- D383,440 S * 9/1997 Ichikawa D13/147
- 5,782,646 A * 7/1998 Broadfield et al. 439/638 X
- 5,885,088 A * 3/1999 Brennan et al. 439/680
- 6,093,057 A * 7/2000 Lok 439/607

- D434,007 S * 11/2000 Feldt D13/147
- 6,210,204 B1 * 4/2001 Ko et al. 439/679 X
- 6,231,390 B1 * 5/2001 Chang 439/607

FOREIGN PATENT DOCUMENTS

- JP 09161891 * 6/1997 H01R/13/64
- JP 2000208188 * 7/2000 H01R/12/28
- JP 2001093623 * 4/2001 H01R/13/64

* cited by examiner

Primary Examiner—Joel Sincavage

(74) *Attorney, Agent, or Firm*—Michael Best & Friedrich LLC

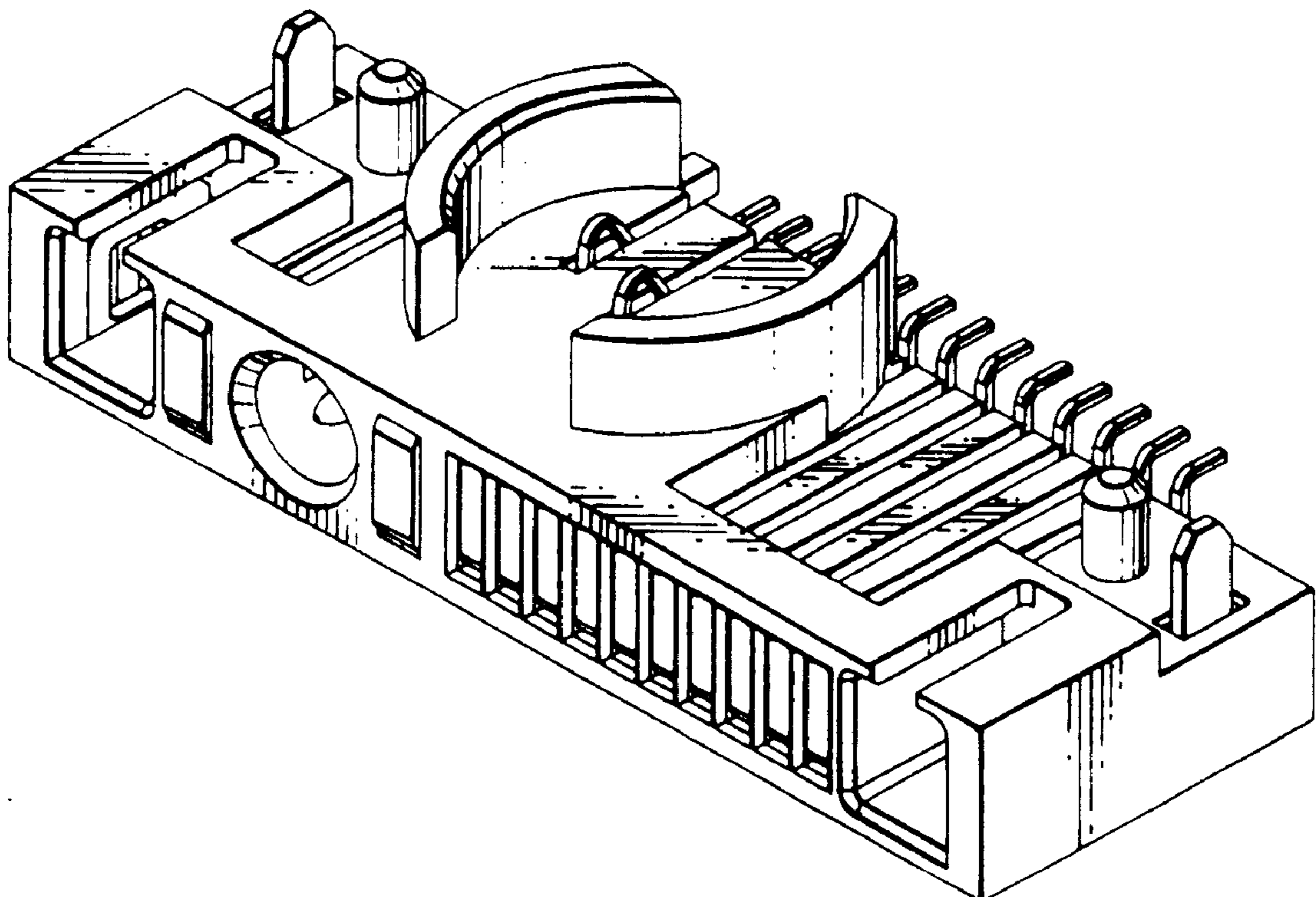
(57) **CLAIM**

The ornamental design for an electrical connector, as shown and described.

DESCRIPTION

FIG. 1 is a front elevational view of an electrical connector; FIG. 2 is a rear elevational view thereof; FIG. 3 is a right side elevational view thereof; FIG. 4 is a cross-sectional view thereof along a line 4—4 in FIG. 1; FIG. 5 is a top plan view thereof; FIG. 6 is a bottom plan view thereof; and, FIG. 7 is a front, top, and right side perspective view thereof. A left side elevational view of the electrical connector is omitted because it is presented symmetrical to the right side elevational view of FIG. 3.

1 Claim, 3 Drawing Sheets



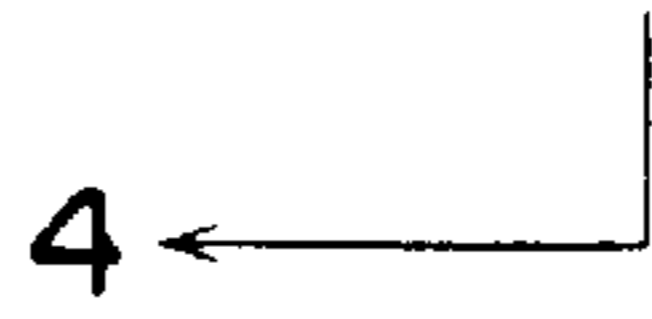
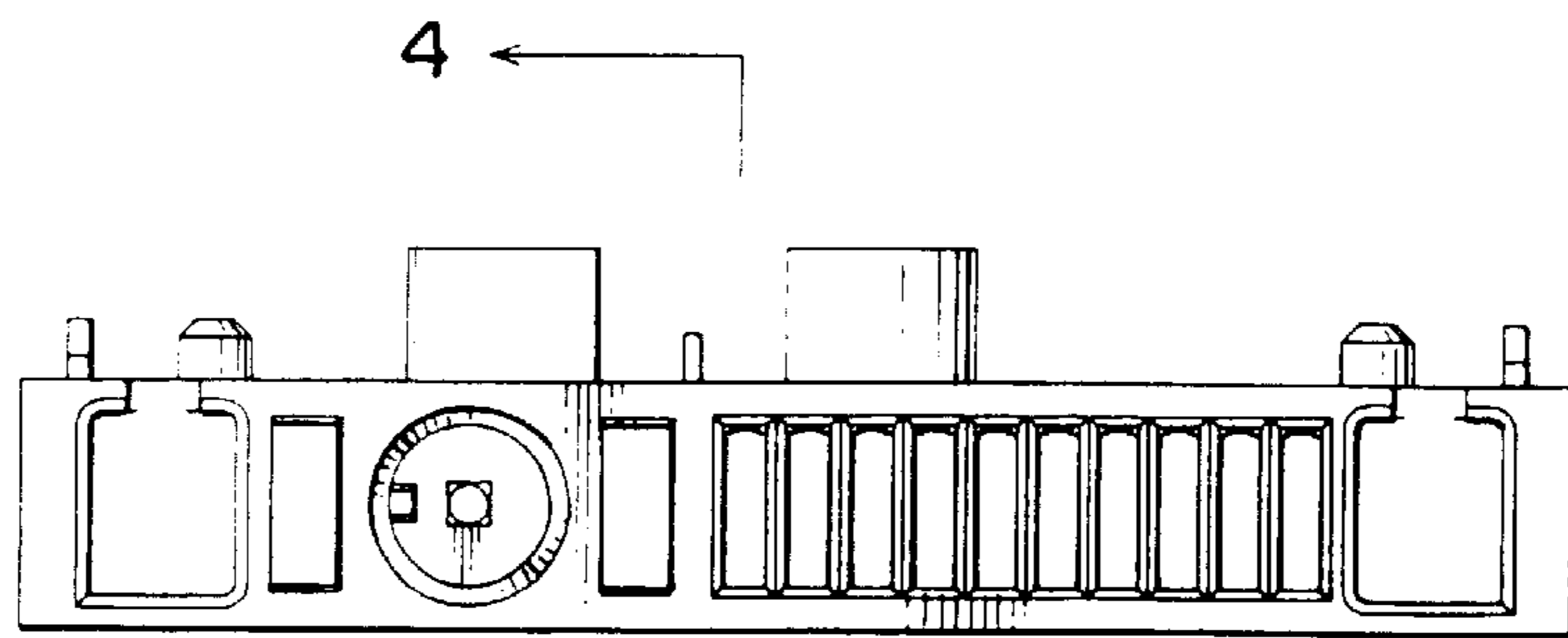


FIG. 1

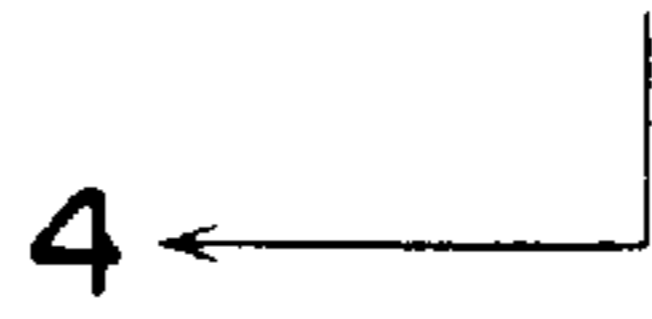
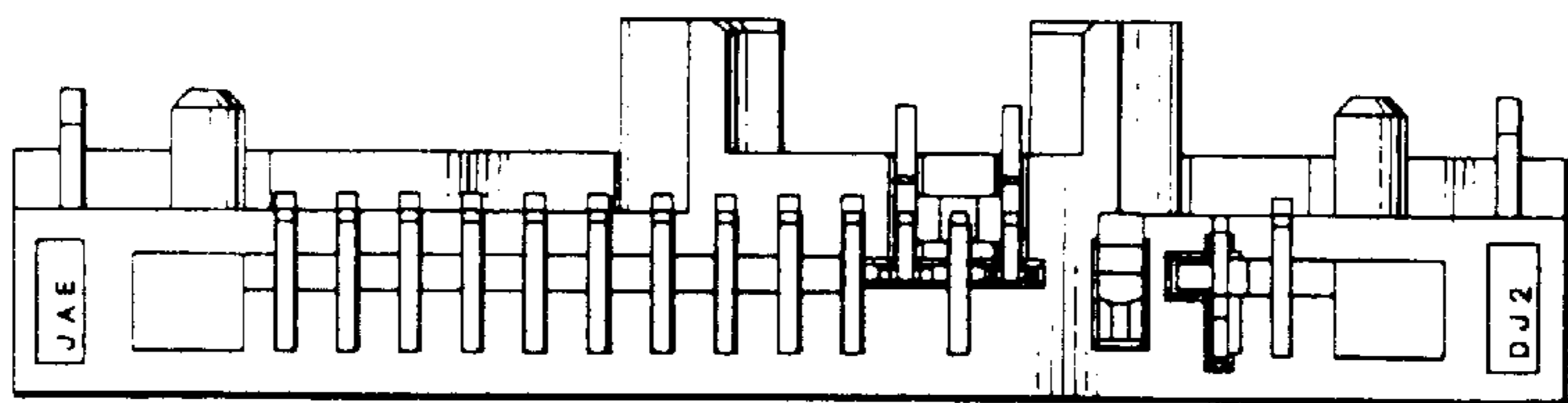


FIG. 2

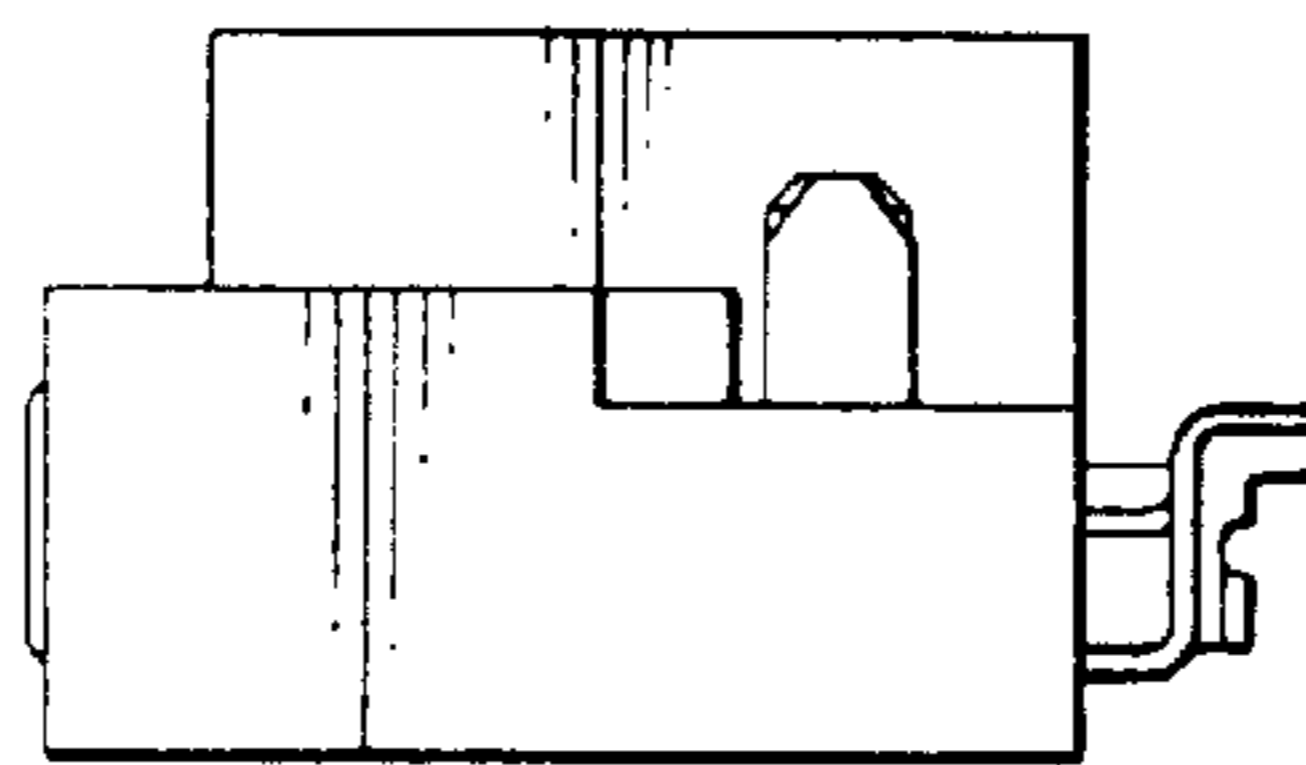


FIG. 3

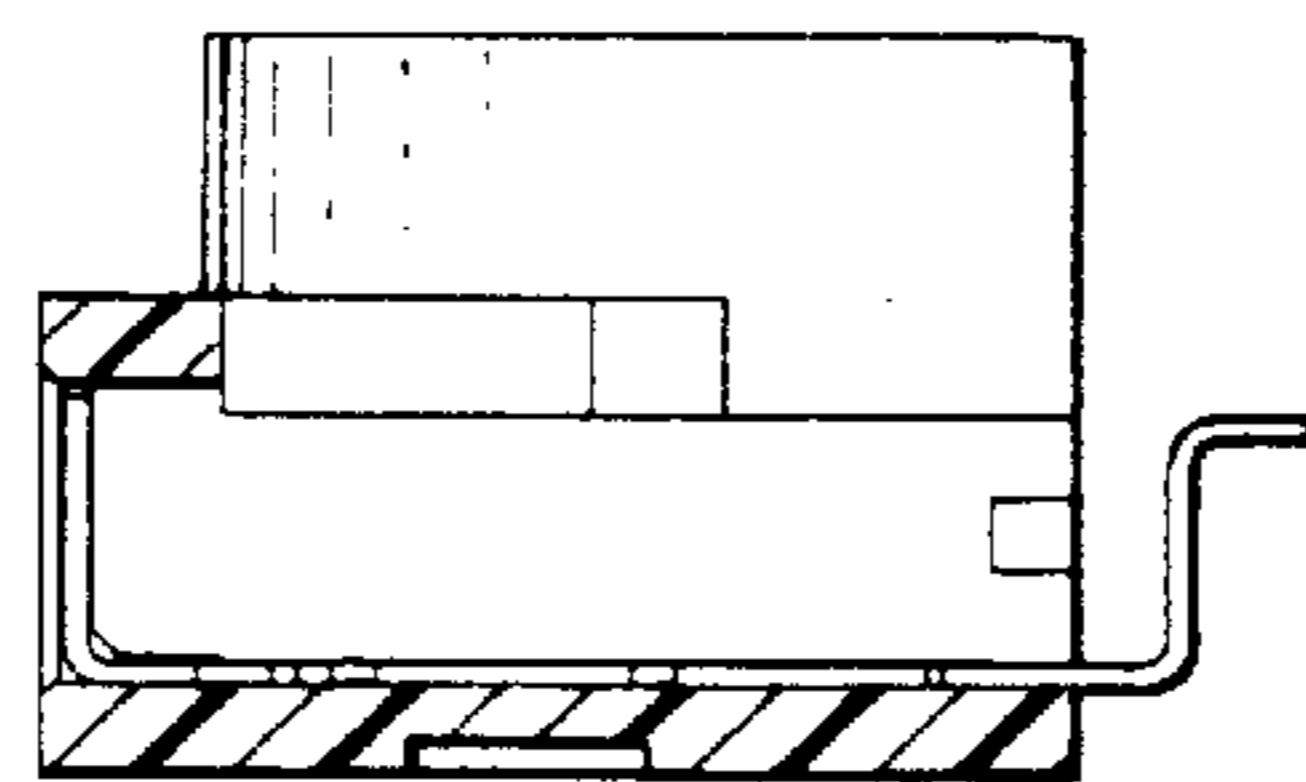


FIG. 4

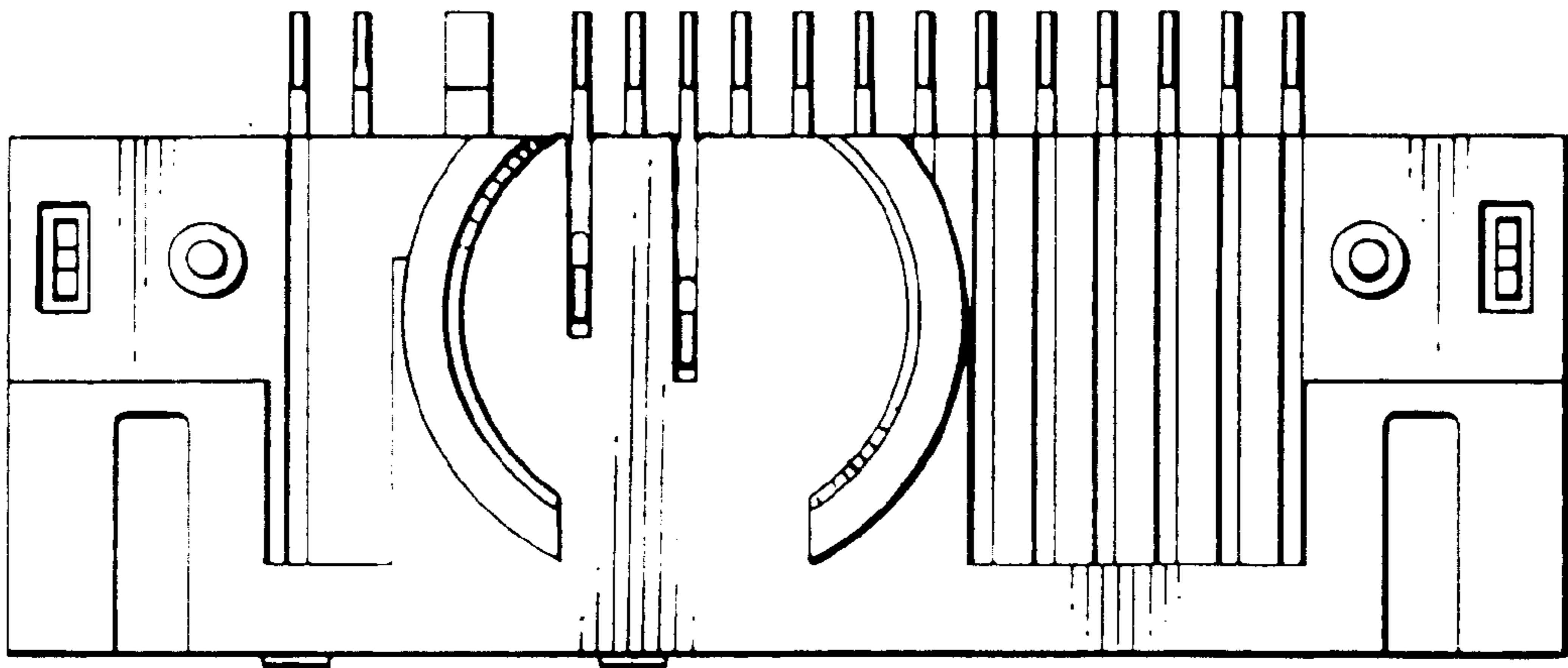


FIG. 5

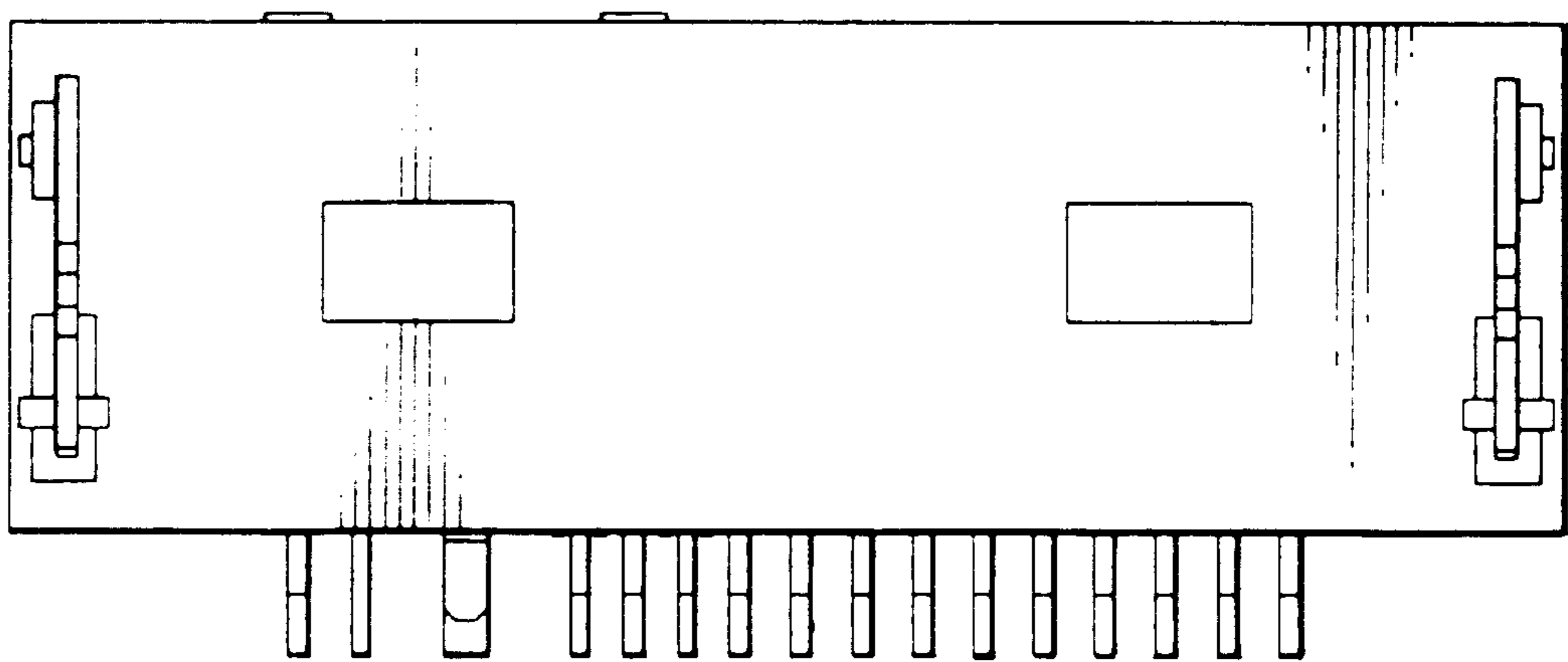


FIG. 6

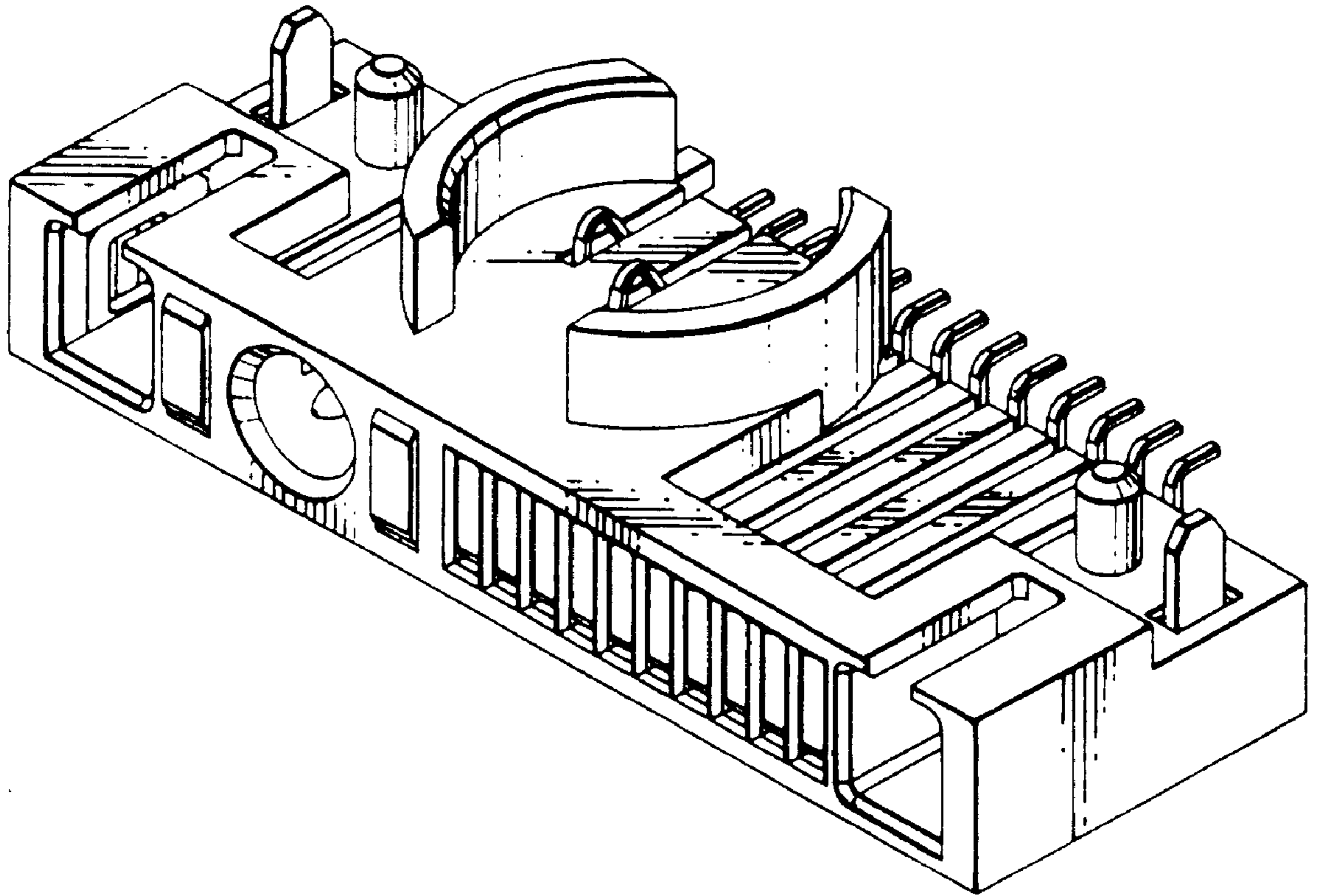


FIG. 7