



US00D453144S

(12) **United States Design Patent**  
**Sato et al.**

(10) **Patent No.:** **US D453,144 S**  
(45) **Date of Patent:** **\*\* Jan. 29, 2002**

(54) **COMMUNICATIONS APPARATUS FOR  
SENSOR WITH OPTICAL  
COMMUNICATION FUNCTION**

D365,034 S \* 12/1995 Enlow et al. .... D10/96  
D373,770 S \* 9/1996 James et al. .... D14/240  
6,122,678 A \* 9/2000 Eckel et al. .... 340/567 X

(75) Inventors: **Toshinori Sato; Yutaka Kurata;  
Toshiyuki Higuchi**, all of Kyoto (JP)

\* cited by examiner

(73) Assignee: **Omron Corporation**, Kyoto (JP)

*Primary Examiner*—Joel Sincavage

(\*\*) Term: **14 Years**

(74) *Attorney, Agent, or Firm*—Dickstein Shapiro Morin &  
Oshinsky LLP

(21) Appl. No.: **29/124,054**

(22) Filed: **May 30, 2000**

(57) **CLAIM**

The ornamental design for a communications apparatus for sensor with optical communication function, as shown and described.

(30) **Foreign Application Priority Data**

Nov. 30, 1999 (JP) ..... 11-33066

**DESCRIPTION**

(51) **LOC (7) Cl.** ..... **13-03**

(52) **U.S. Cl.** ..... **D13/123**

(58) **Field of Search** ..... D13/133, 146,  
D13/147; D14/240; 340/854.7, 815.5

FIG. 1 is a perspective view of the top, front and right side of a communications apparatus for sensor with optical communication function showing our new design;

FIG. 2 is a perspective view of the top, rear and left side thereof;

FIG. 3 is a top plan view thereof;

FIG. 4 is a front view thereof;

FIG. 5 is a right side view thereof;

FIG. 6 is a left side view thereof;

FIG. 7 is a rear view thereof; and,

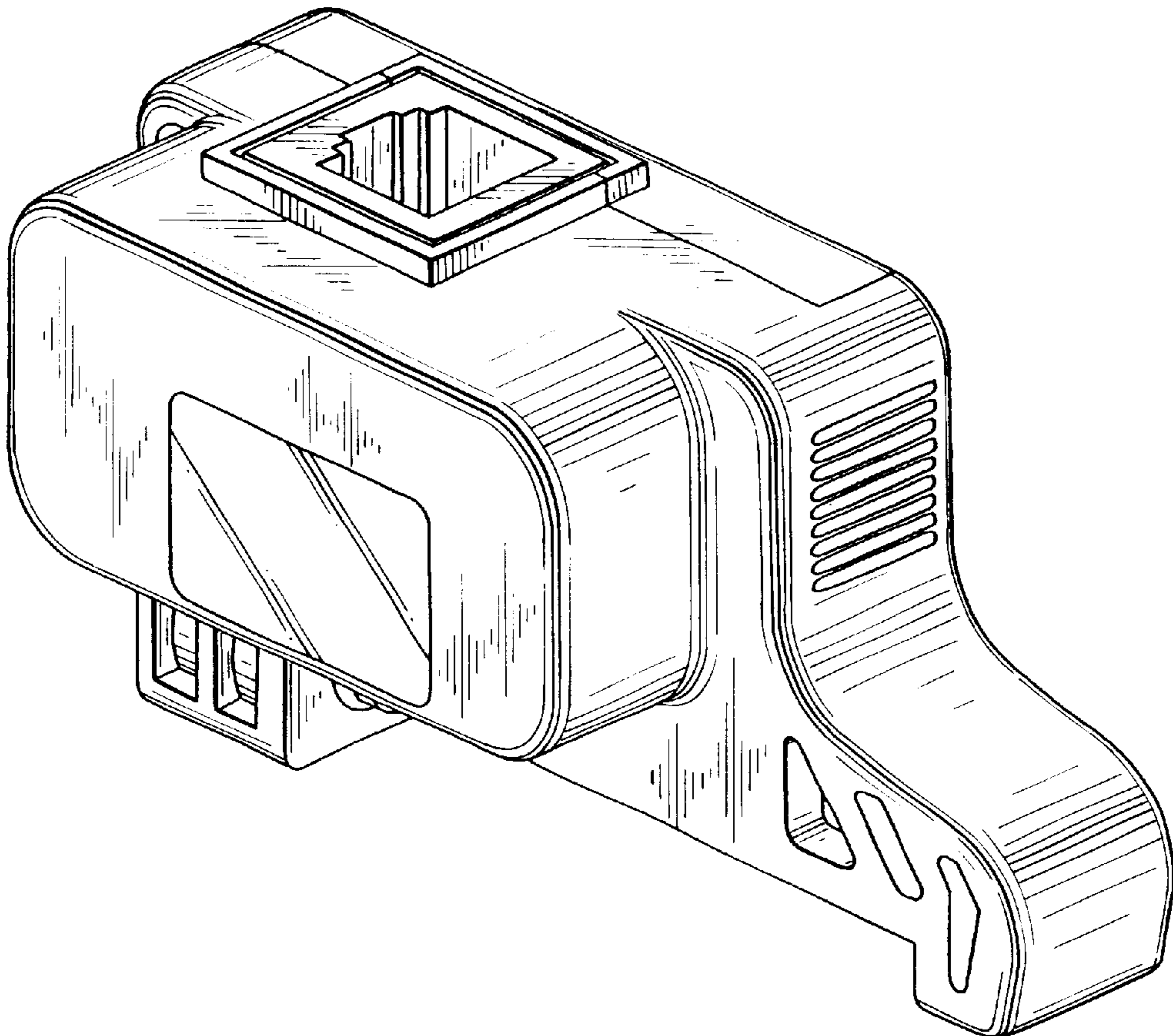
FIG. 8 is a bottom view thereof.

(56) **References Cited**

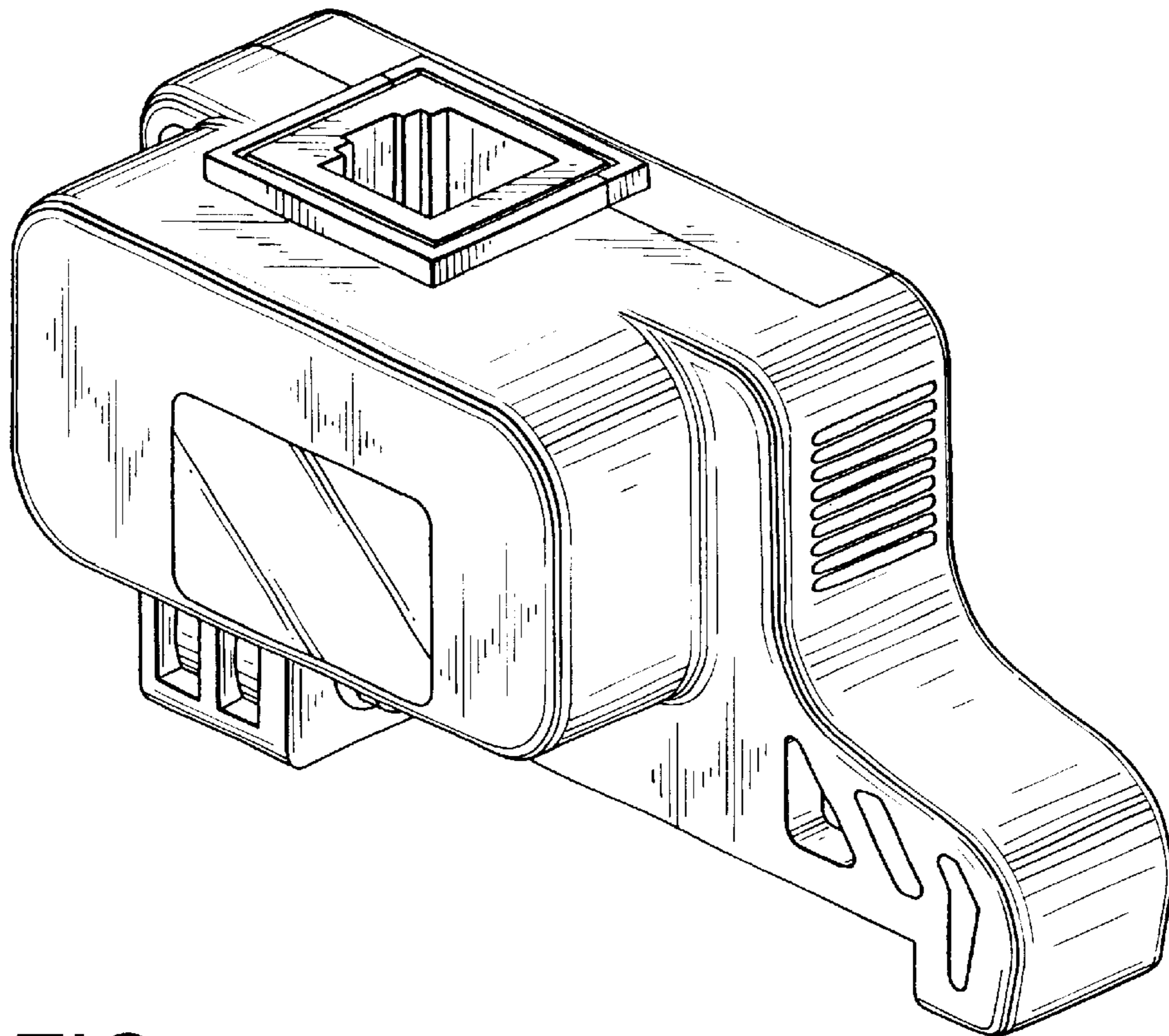
**U.S. PATENT DOCUMENTS**

D290,460 S \* 6/1987 Pinz et al. .... D14/240  
D291,803 S \* 9/1987 Mantell ..... D14/240  
D322,953 S \* 1/1992 Brown, Jr. et al. .... D13/123  
5,307,058 A \* 4/1994 Tokizane et al. .... 340/825.07

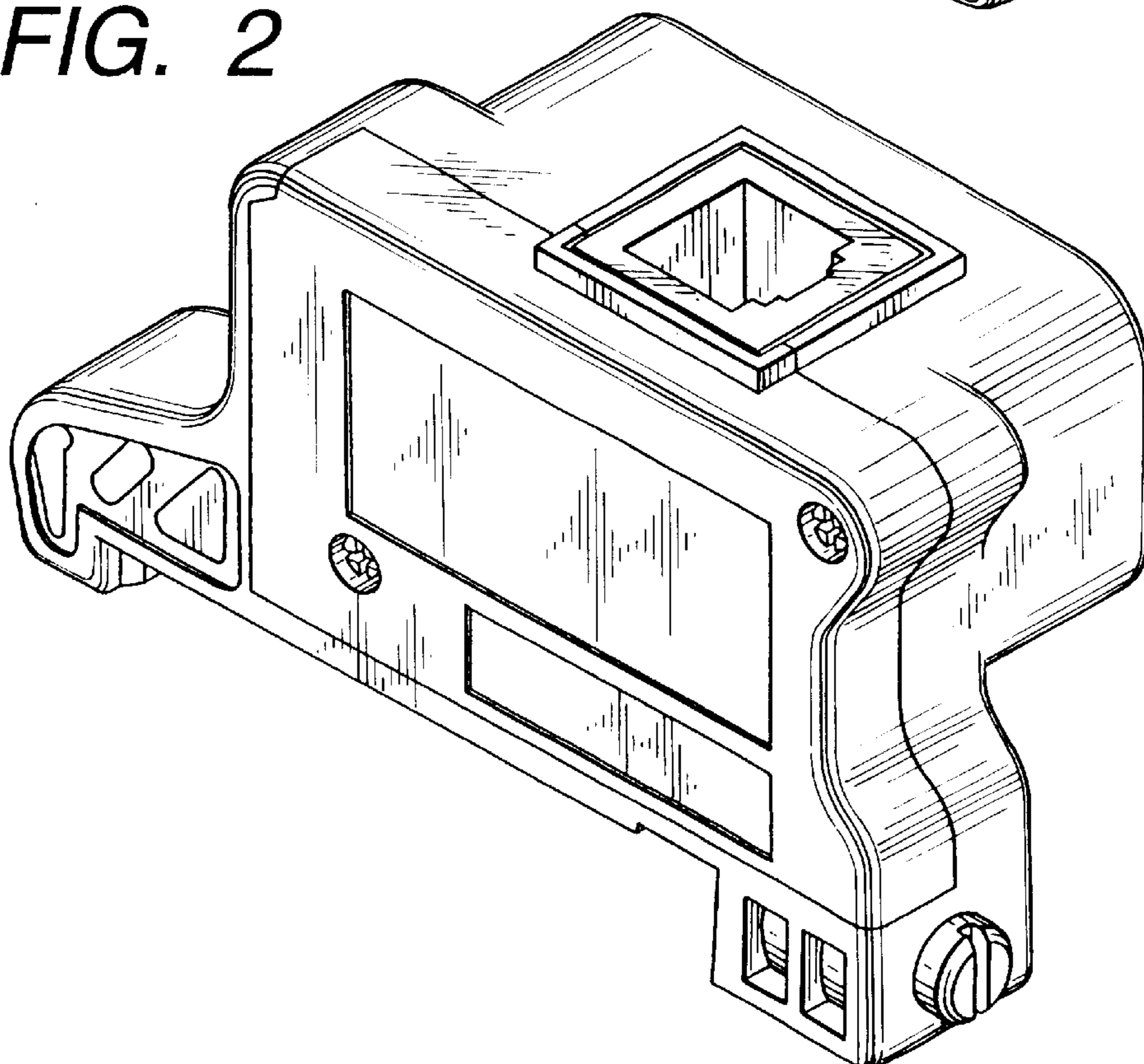
**1 Claim, 4 Drawing Sheets**



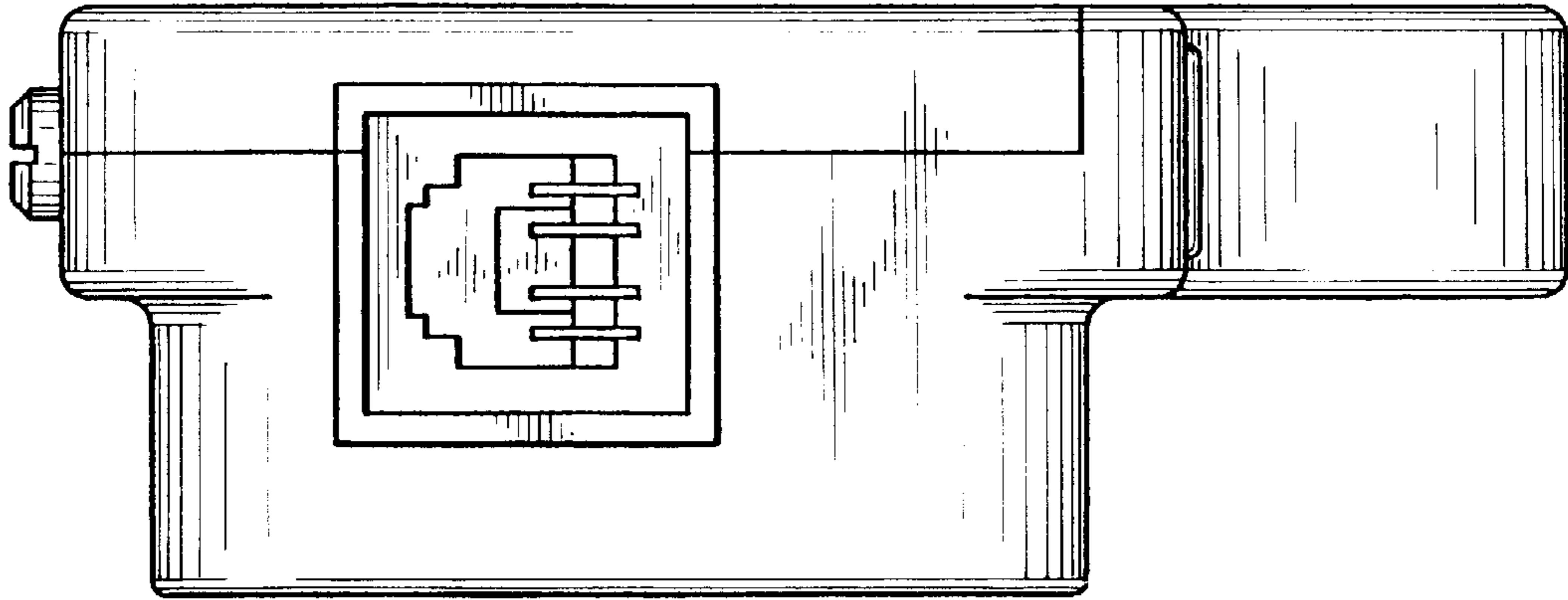
*FIG. 1*



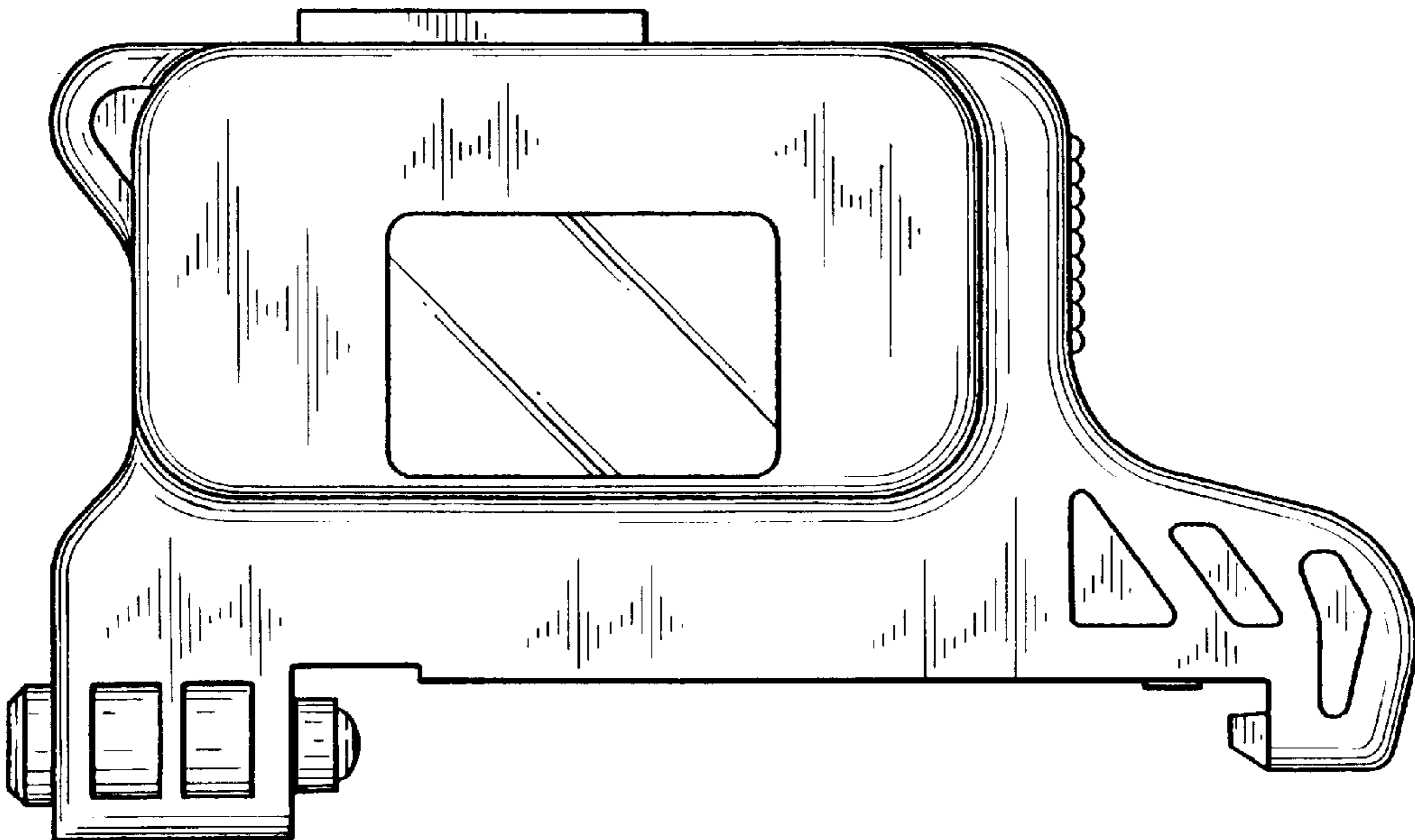
*FIG. 2*



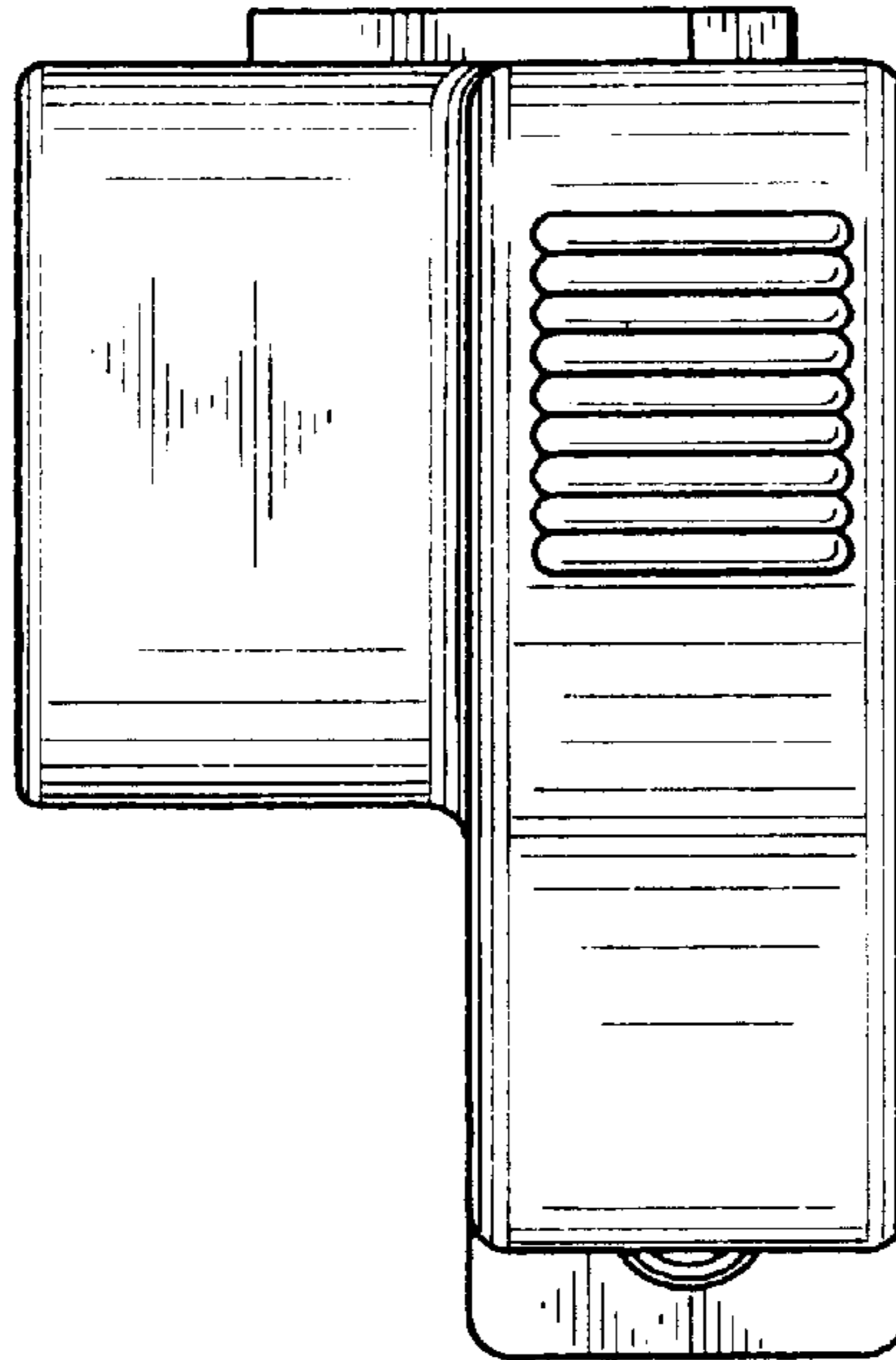
*FIG. 3*



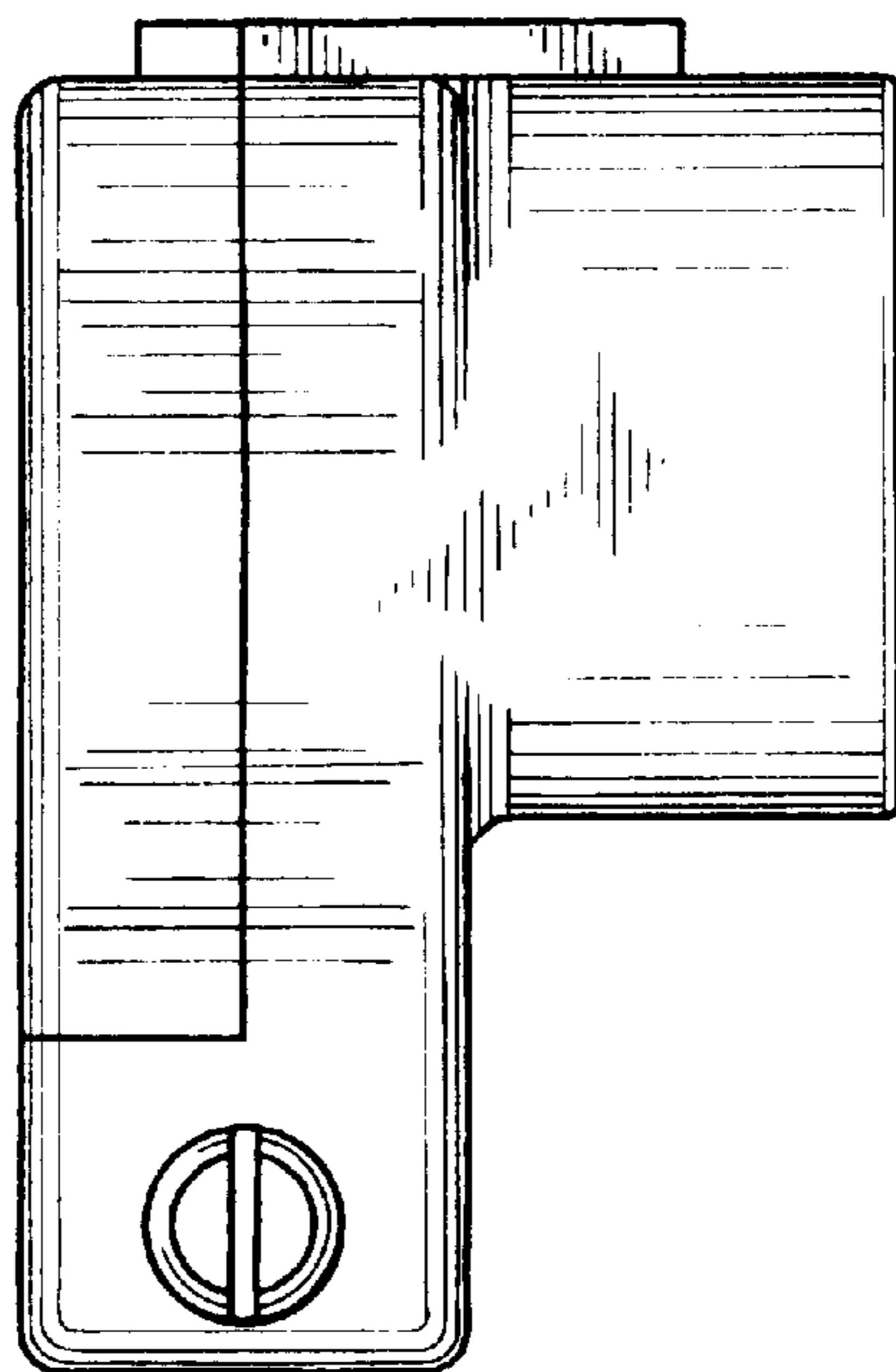
*FIG. 4*



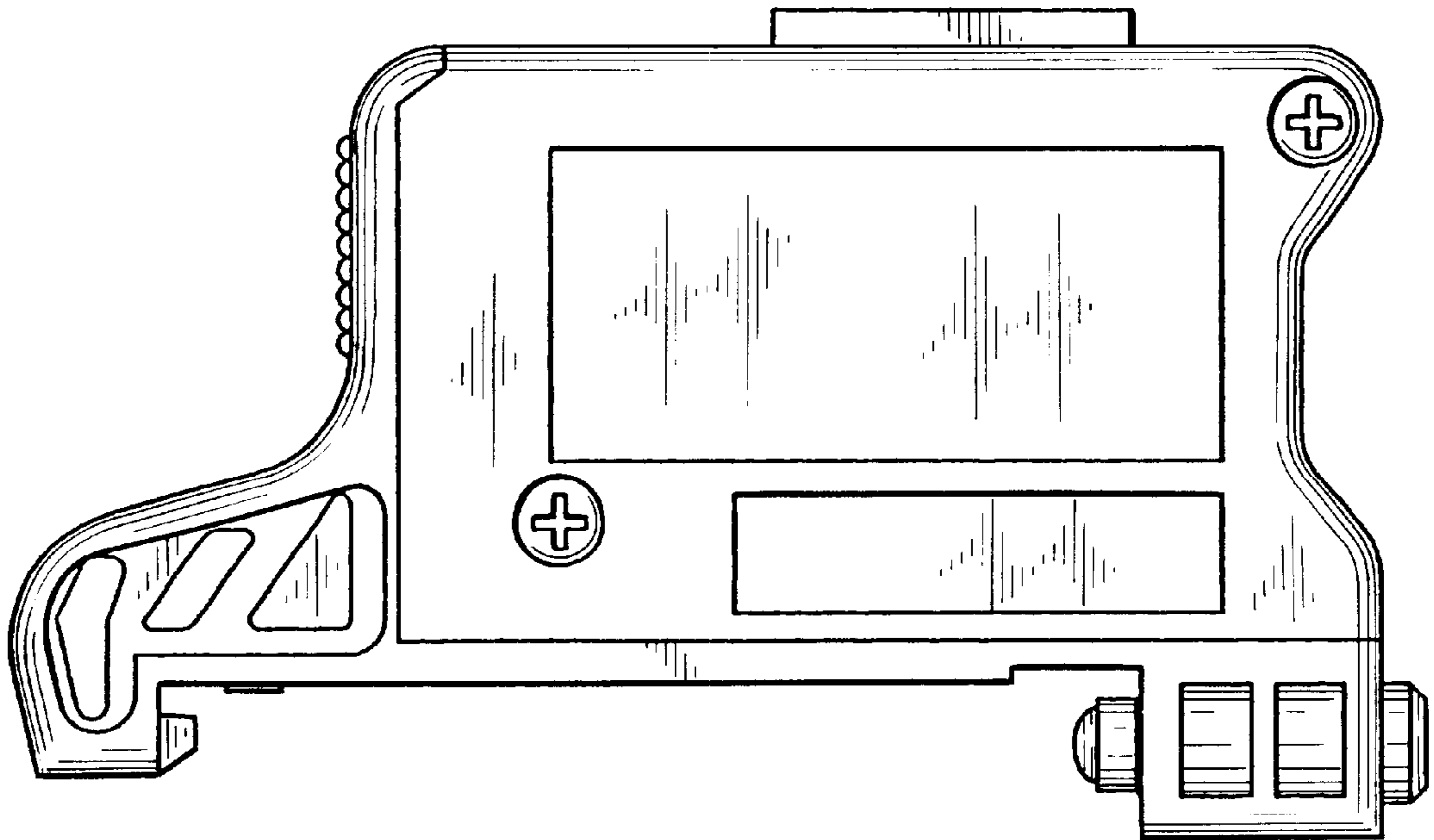
*FIG. 5*



*FIG. 6*



*FIG. 7*



*FIG. 8*

