



US00D453143S

(12) **United States Design Patent**
Jones

(10) **Patent No.:** **US D453,143 S**

(45) **Date of Patent:** **** Jan. 29, 2002**

(54) **MOUNTING BRACKET**

(76) Inventor: **David D. Jones**, 6761 Pilgrims Ct., Alta Loma, CA (US) 91701

(**) Term: **14 Years**

(21) Appl. No.: **29/122,435**

(22) Filed: **Apr. 27, 2000**

(51) **LOC (7) Cl.** **13-01**

(52) **U.S. Cl.** **D13/122**

(58) **Field of Search** D13/122, 118;
D8/354; D15/4; D12/317; 123/195 A; 248/274.1,
284, 1, 291.1

(56) **References Cited**

U.S. PATENT DOCUMENTS

4,633,828 A *	1/1987	Steele	123/195 A
D330,154 S *	10/1992	Wagner	D8/354
5,669,794 A *	9/1997	Knight et al.	440/63
6,044,923 A *	4/2000	Reagan et al.	180/65.4
6,098,950 A *	8/2000	Zupan et al.	248/674
6,148,786 A *	11/2000	Steiner et al.	123/195 A

* cited by examiner

Primary Examiner—Joel Sincavage

(74) *Attorney, Agent, or Firm*—Boniard I. Brown

(57) **CLAIM**

The ornamental design for a mounting bracket, as shown and described.

DESCRIPTION

FIG. 1 is a perspective view of a mounting bracket showing frontal and side portions of my new design, with an alternator shown in phantom outline;

FIG. 2 is a side elevational view thereof;

FIG. 3 is a side elevational view of the side opposite from that shown in FIG. 2;

FIG. 4 is a perspective view showing rear and side portions thereof;

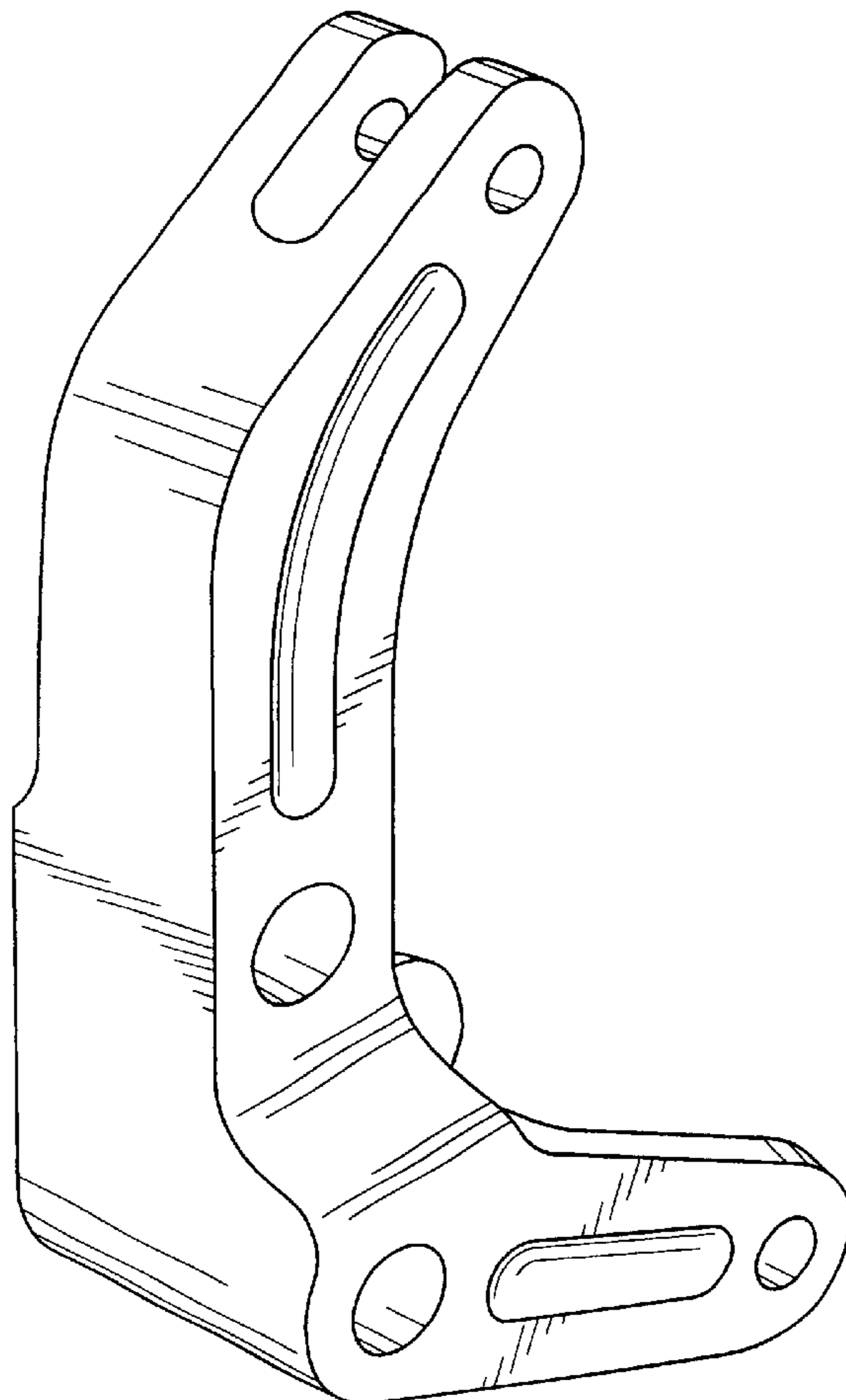
FIG. 5 is a front view thereof;

FIG. 6 is a top view thereof; and,

FIG. 7 is a bottom view thereof.

The broken line showing of an alternator in FIG. 1 is for illustrative purposes only and forms no part of the claimed design.

1 Claim, 2 Drawing Sheets



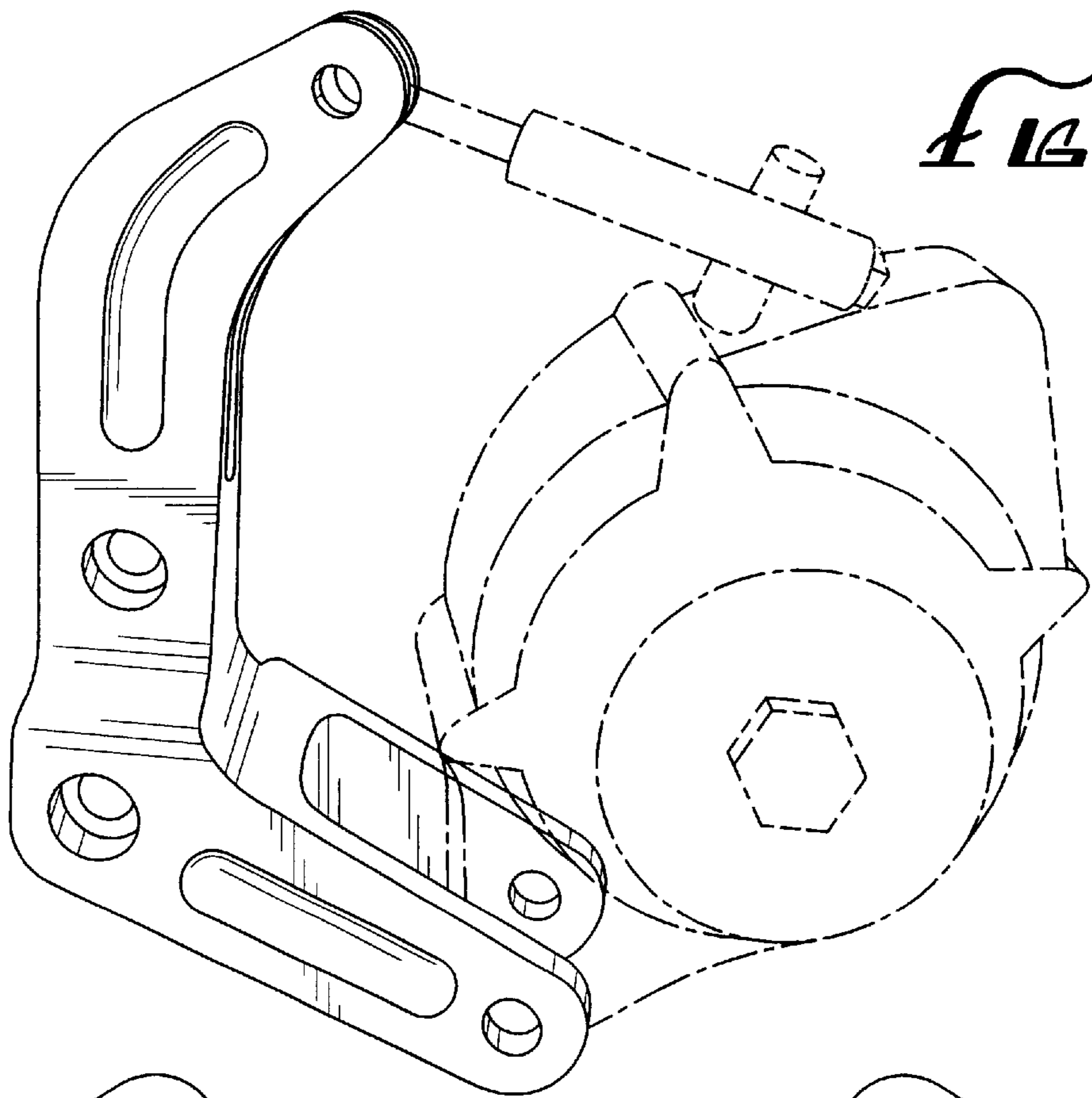


Fig. 1

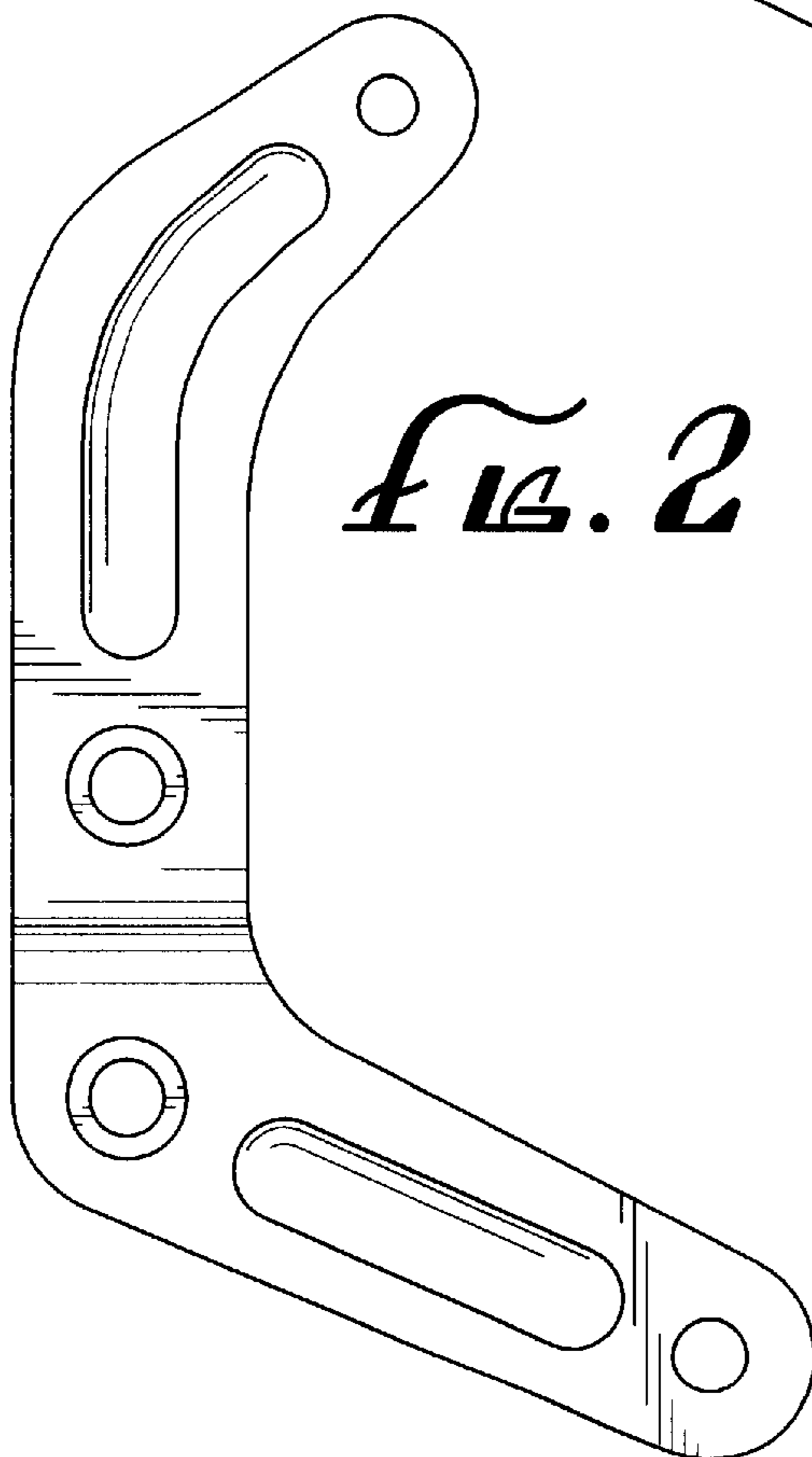


Fig. 2

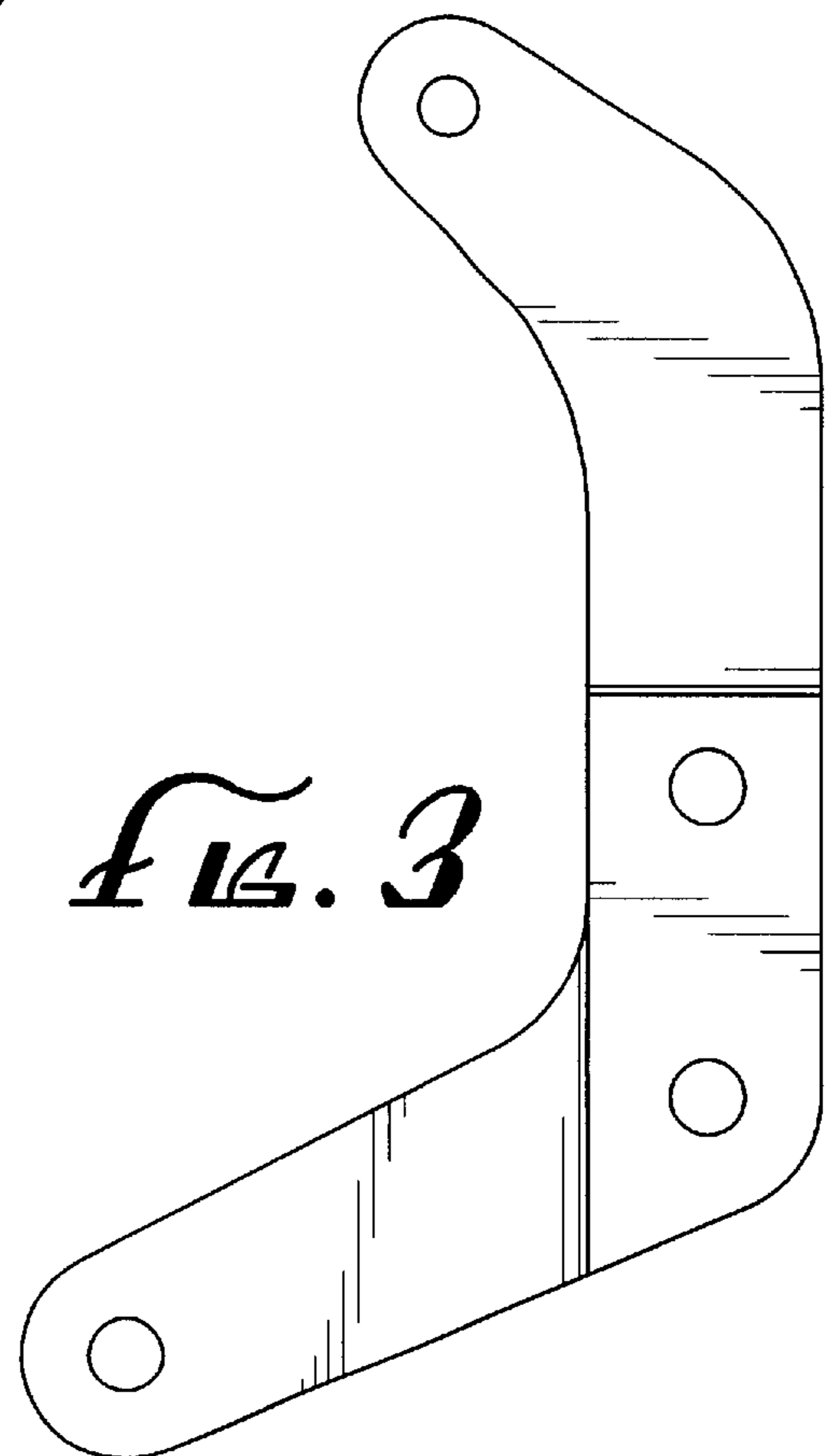


Fig. 3

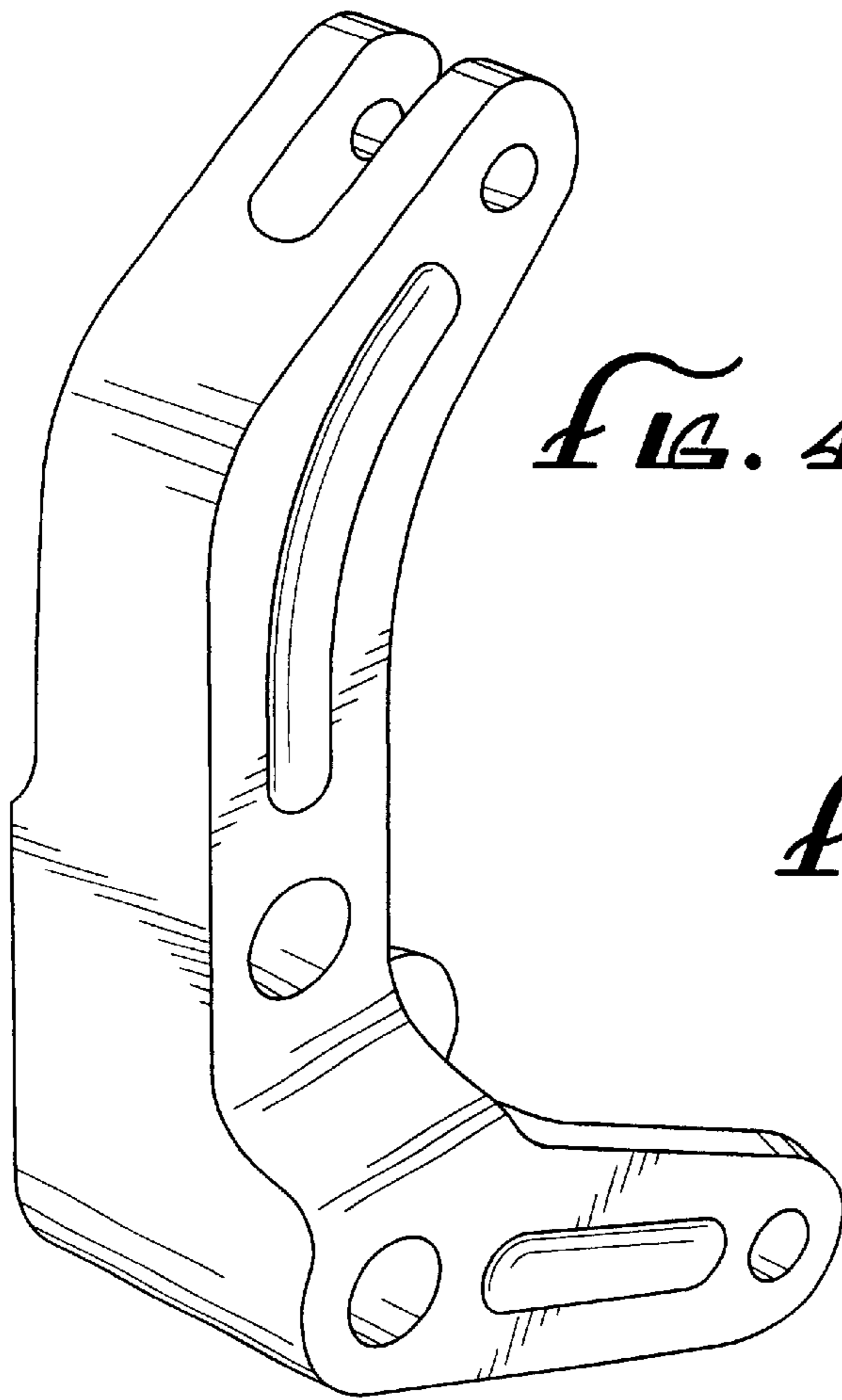


FIG. 4

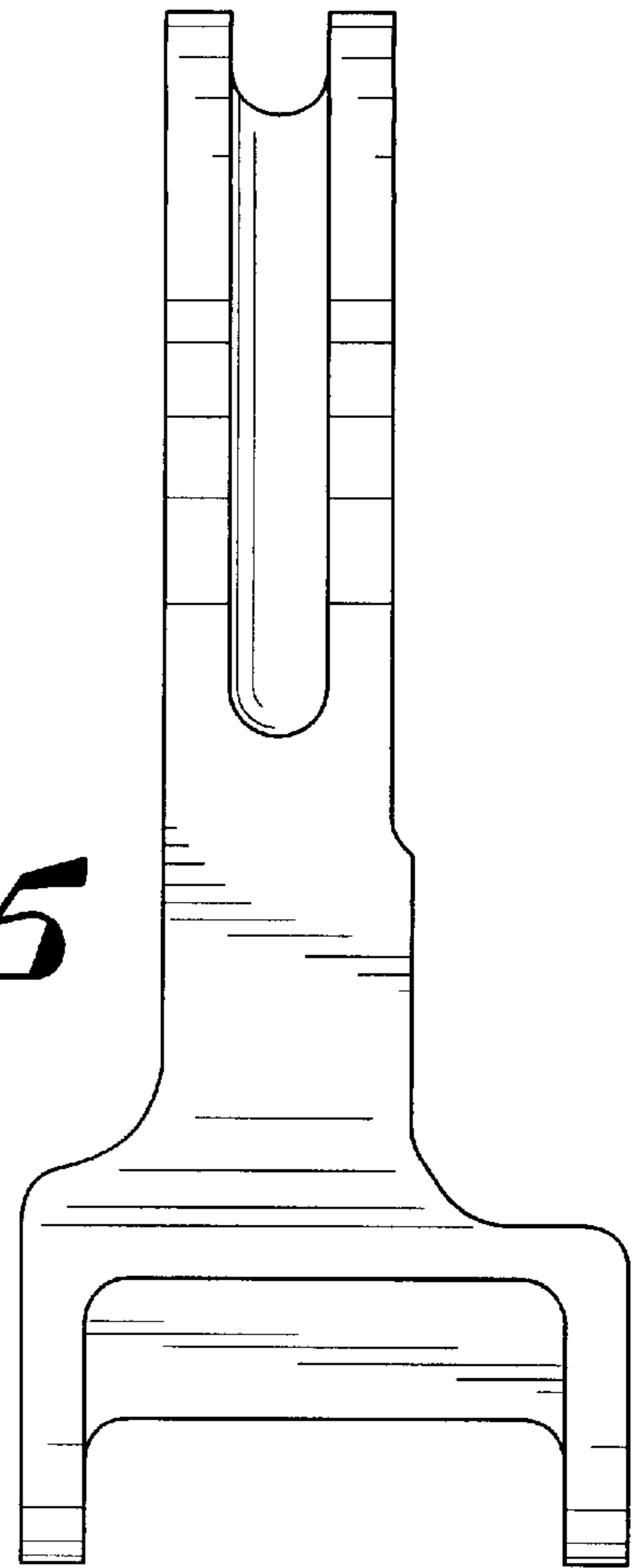


FIG. 5

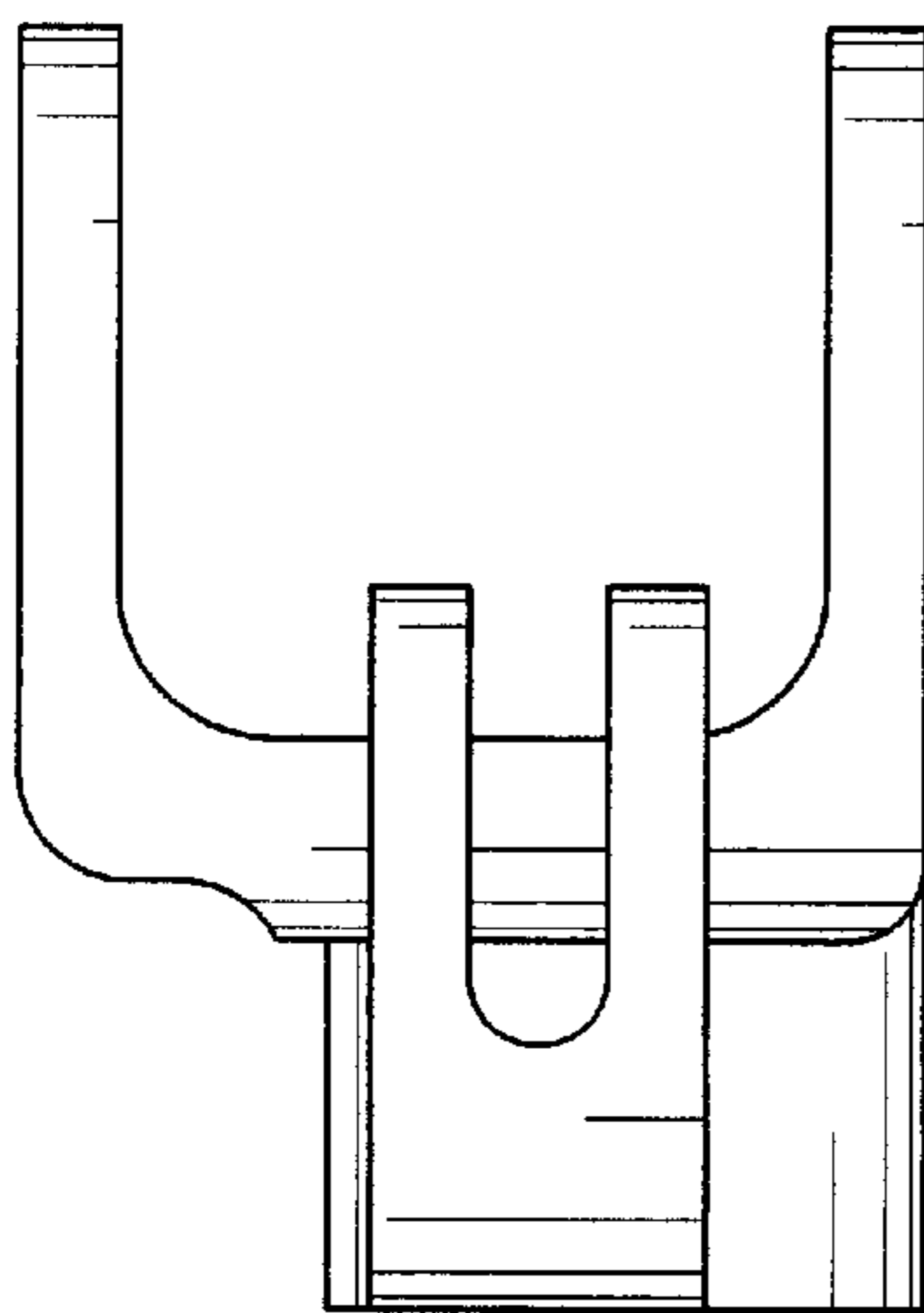


FIG. 6

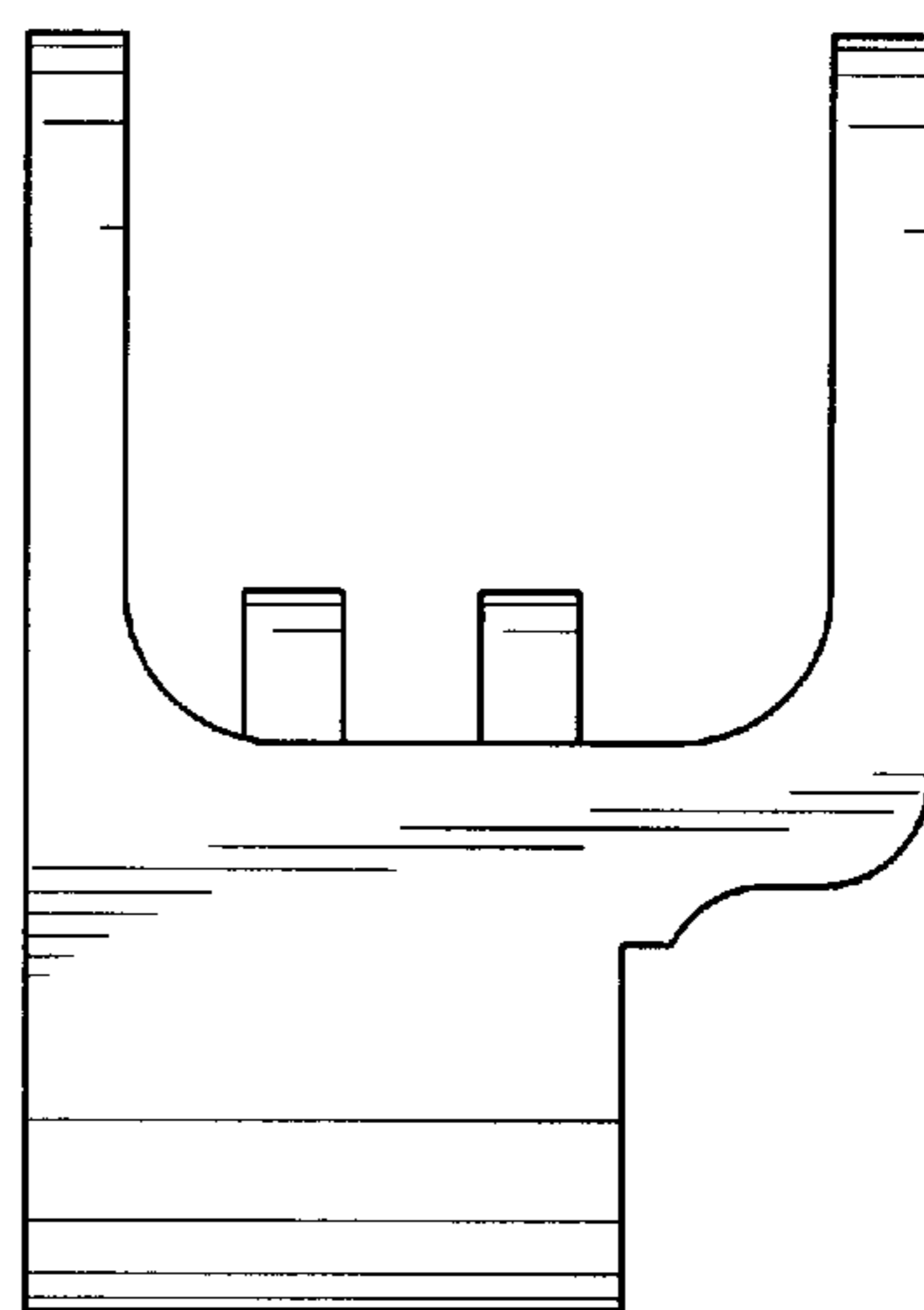


FIG. 7