



US00D453142S

(12) **United States Design Patent**
Watanabe et al.

(10) **Patent No.:** **US D453,142 S**
(45) **Date of Patent:** **** Jan. 29, 2002**

(54) **CIRCUIT BLOCK FOR POWER SUPPLY**

(75) Inventors: **Osamu Watanabe**, Hidaka; **Junji Kondo**, Kawagoe; **Toshihiko Kobayashi**, Iruma, all of (JP)

(73) Assignee: **Tamura Corporation**, Tokyo (JP)

(**) Term: **14 Years**

(21) Appl. No.: **29/125,211**

(22) Filed: **Jun. 20, 2000**

(30) **Foreign Application Priority Data**

Apr. 24, 2000 (JP) 12-010685

(51) **LOC (7) Cl.** **13-01**

(52) **U.S. Cl.** **D13/118; D13/182**

(58) **Field of Search** D13/118, 182;
257/690, 734, 784; 174/52.2

(56) **References Cited**

U.S. PATENT DOCUMENTS

3,575,546 A *	4/1971	Liautaud	174/52.2 X
4,594,644 A *	6/1986	Painter	174/52.2 X
4,788,626 A *	11/1988	Neidig et al.	174/52.2 X
4,970,576 A *	11/1990	Neidig et al.	257/734 X
5,241,133 A *	8/1993	Mullen, III et al. ...	174/52.2 X
D358,804 S *	5/1995	Siegel et al.	D13/182
5,526,234 A *	6/1996	Vinciarelli et al.	174/52.2 X
D395,638 S *	6/1998	Koyama et al.	D13/182
5,970,191 A *	10/1999	Oba et al.	385/47
6,150,715 A *	11/2000	Ichikawa et al.	257/706
6,194,782 B1 *	2/2001	Katchmar	257/738

OTHER PUBLICATIONS

USPTO, "Official Gazette," p. 2288, (Feb. 24, 1987).

USPTO, "Official Gazette," p. 1857, (Apr. 16, 1991).

USPTO, "Official Gazette," p. 1995, (Jul. 16, 1991).

USPTO, "Official Gazette," p. 2614, (Mar. 23, 1993).

USPTO, "Official Gazette," p. 2277, (Apr. 18, 1995).

USPTO, "Official Gazette," p. 583, (Nov. 7, 1995).

USPTO, "Official Gazette," p. 3117, (Oct. 22, 1996).

USPTO, "Official Gazette," p. 1602, (Nov. 12, 1996).

USPTO, "Official Gazette," p. 830, (Dec. 2, 1997).

USPTO, "Official Gazette," p. 3296, (Aug. 18, 1998).

USPTO, "Official Gazette," p. 1051, (Dec. 1, 1998).

USPTO, "Official Gazette," p. 841, (May 4, 1999).

USPTO, "Official Gazette," p. 3691, (Jun. 29, 1999).

USPTO, "Official Gazette," p. 5907, (Nov. 23, 1999).

* cited by examiner

Primary Examiner—Joel Sincavage

(74) *Attorney, Agent, or Firm*—Dennis G. LaPointe; Mason and Associates, P.A.

(57) **CLAIM**

The ornamental design for a circuit block for power supply, as shown and described.

DESCRIPTION

FIG. 1 is a front perspective view of the circuit block for power supply showing our new design;

FIG. 2 is a front elevational view;

FIG. 3 is a rear elevational view;

FIG. 4 is a top plan view;

FIG. 5 is a bottom plan view; and,

FIG. 6 is a right-side elevational view.

The left-side elevational view is symmetry of the right-side elevational view.

1 Claim, 2 Drawing Sheets

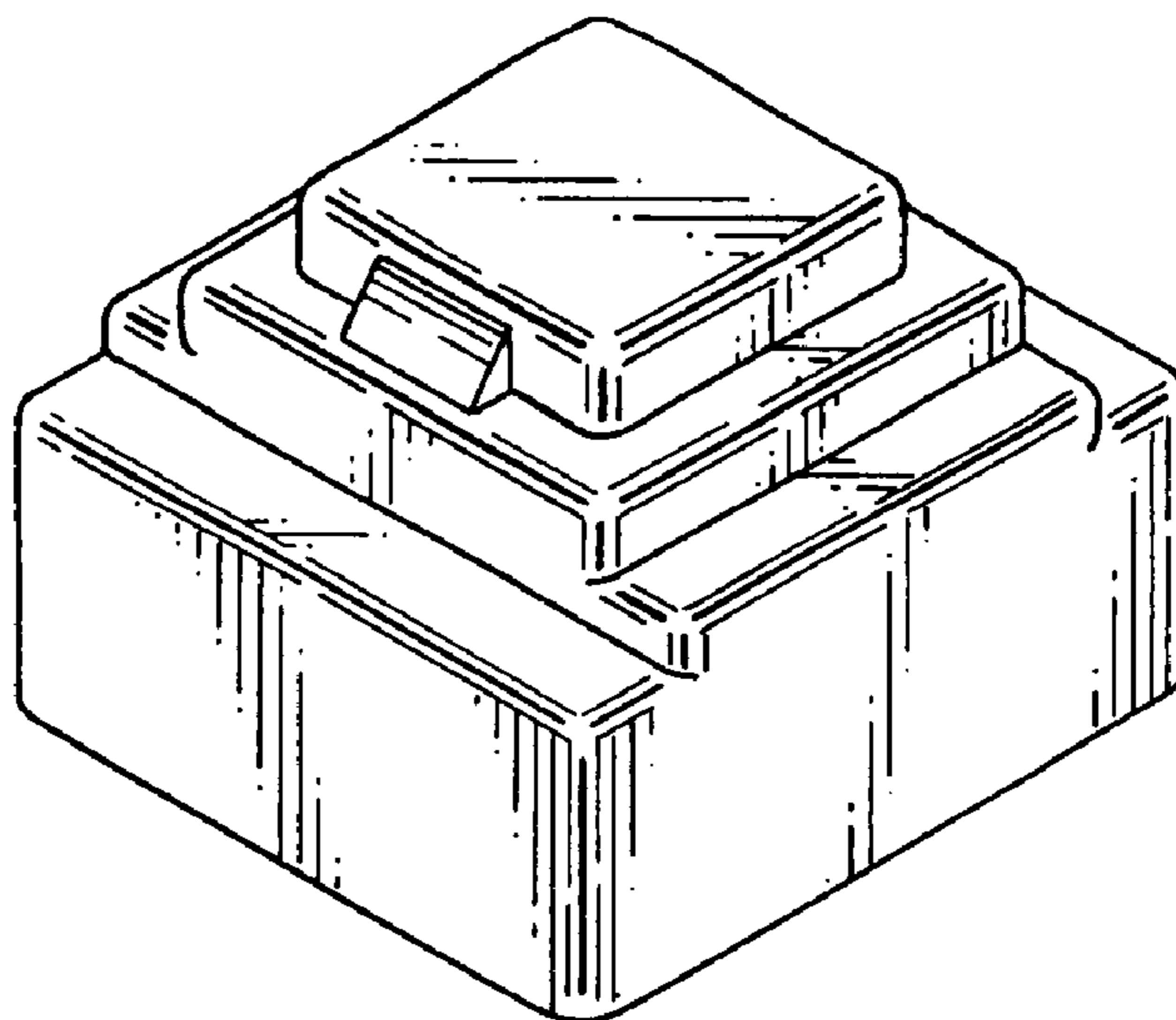


FIG. 1

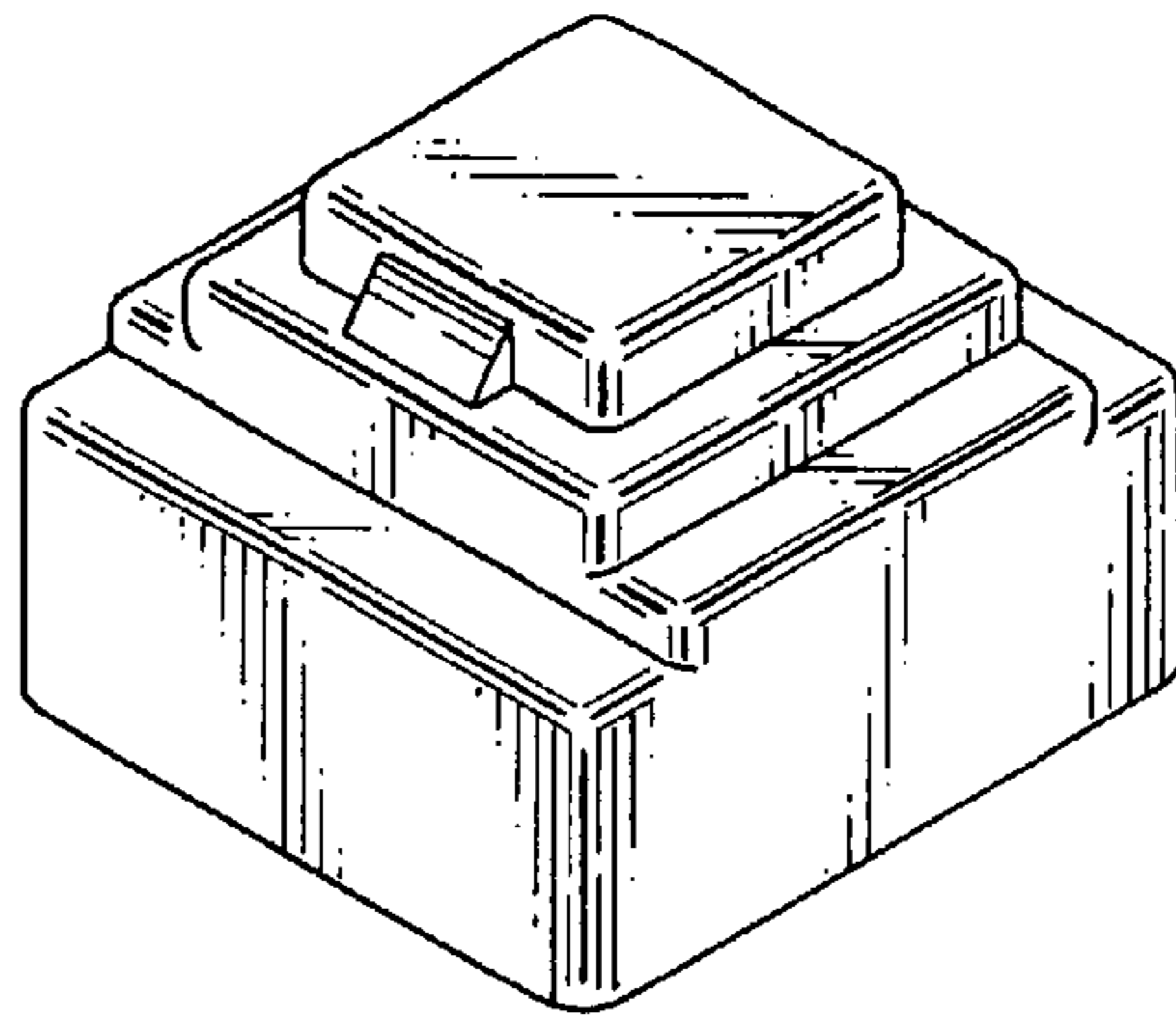


FIG. 2

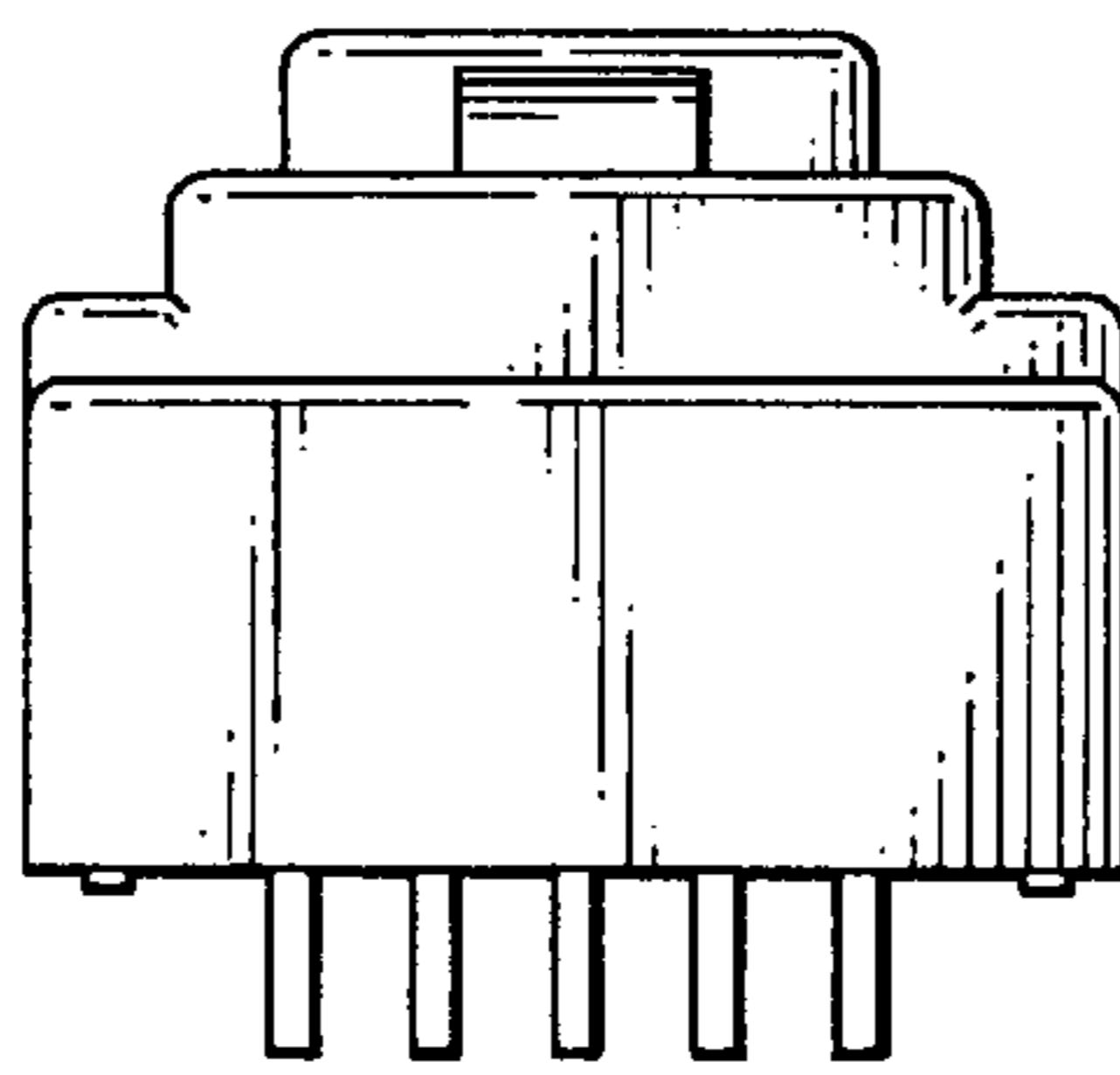


FIG. 3

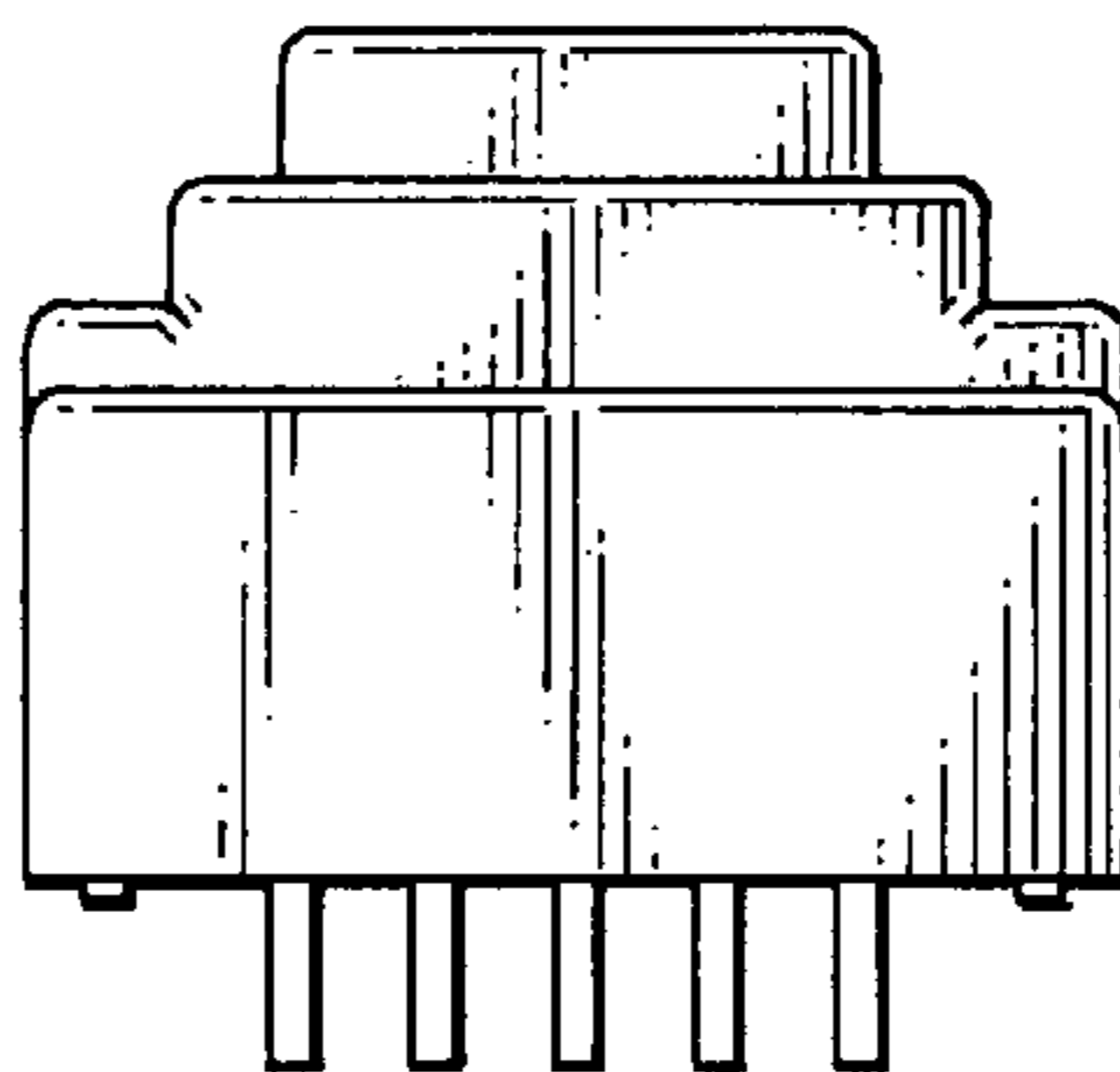


FIG. 4

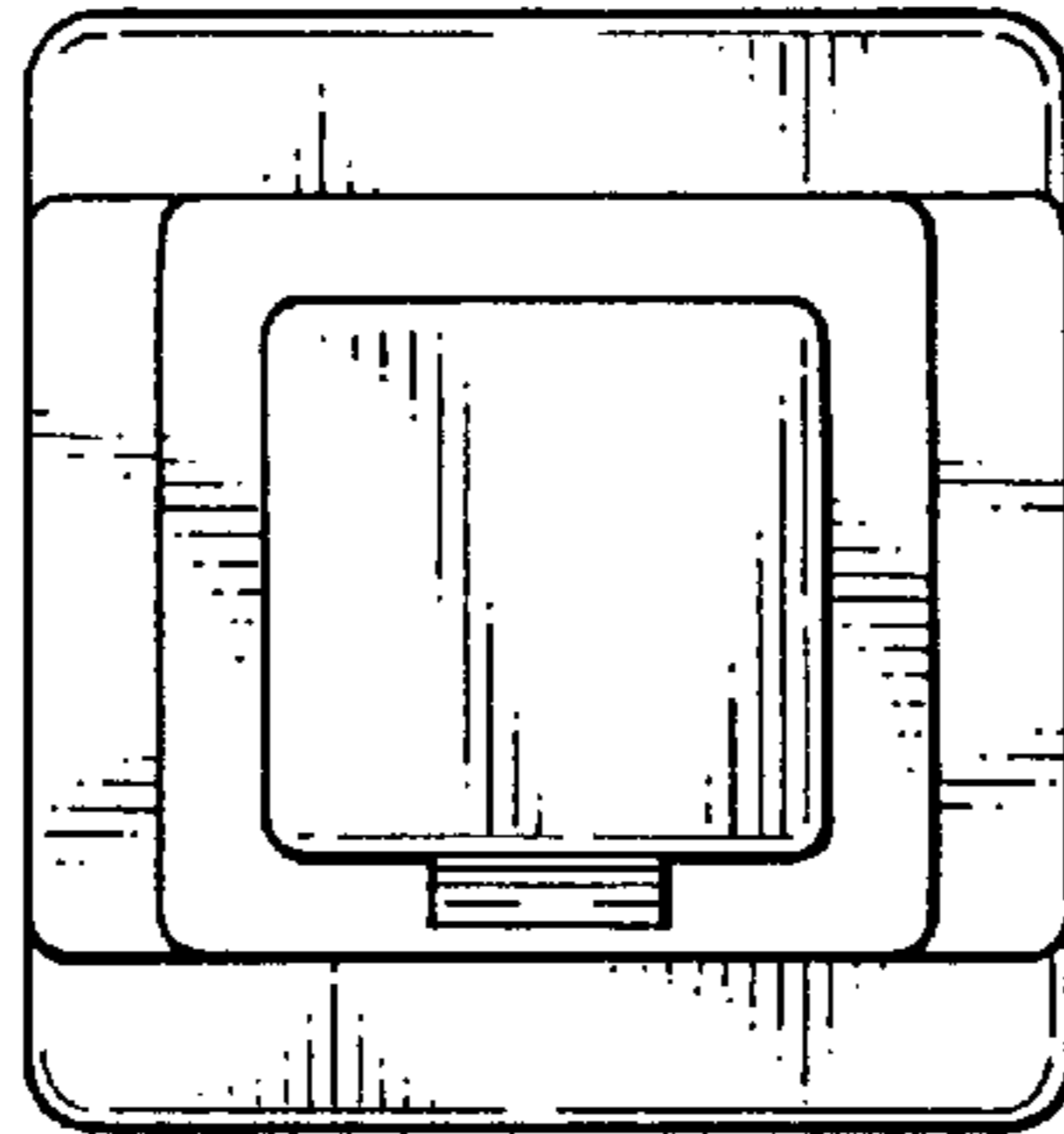


FIG. 5

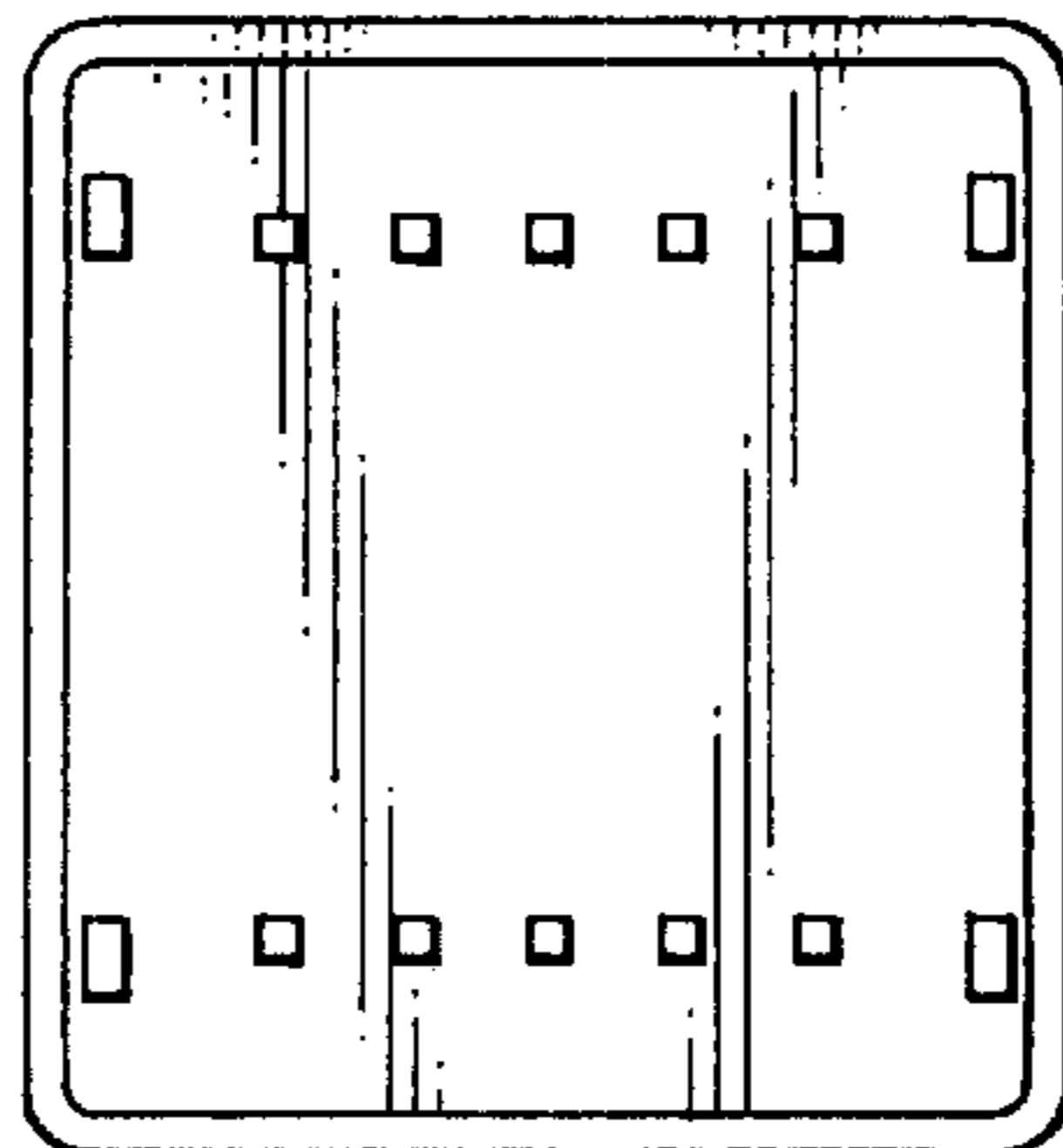
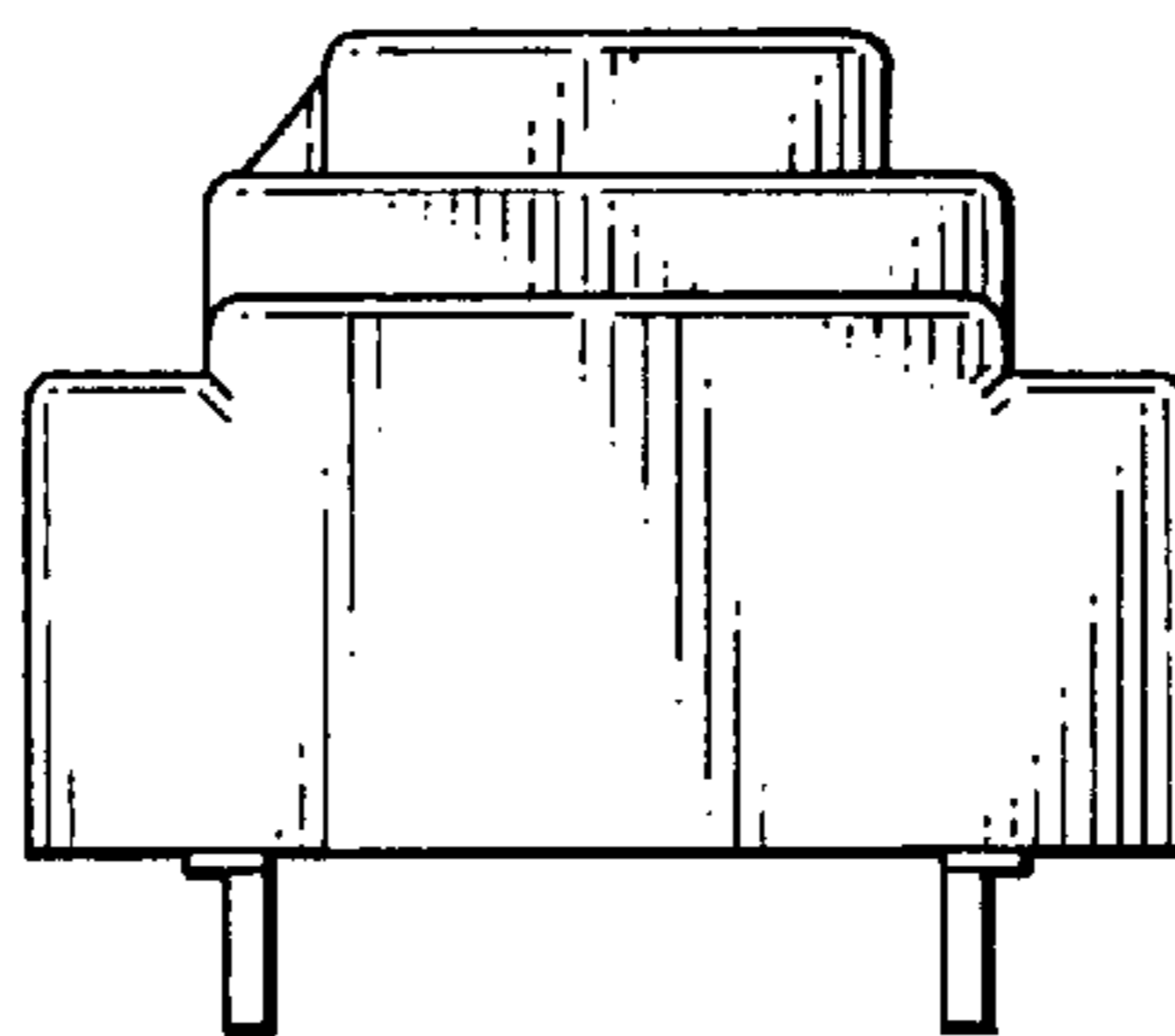


FIG. 6



UNITED STATES PATENT AND TRADEMARK OFFICE
CERTIFICATE OF CORRECTION

PATENT NO. : Des. 453, 142 S
DATED : January 29, 2002
INVENTOR(S) : Osamu Watanabe et al.

Page 1 of 1


It is certified that error appears in the above-identified patent and that said Letters Patent is hereby corrected as shown below:

Title page,

Item [75] Inventors, replace "city of all inventors" with -- Saitama, Japan --.

Signed and Sealed this

Sixteenth Day of September, 2003

A handwritten signature in black ink, appearing to read "James E. Rogan", with a horizontal line drawn underneath it.

JAMES E. ROGAN
Director of the United States Patent and Trademark Office