



US00D453141S

(12) **United States Design Patent**  
**Watanabe et al.**

(10) **Patent No.:** **US D453,141 S**  
(45) **Date of Patent:** **\*\* Jan. 29, 2002**

(54) **CIRCUIT BLOCK FOR POWER SUPPLY**

(75) Inventors: **Osamu Watanabe**, Hidaka; **Junji Kondo**, Kawagoe; **Toshihiko Kobayashi**, Iruma, all of (JP)

(73) Assignee: **Tamura Corporation**, Tokyo (JP)

(\*\*) Term: **14 Years**

(21) Appl. No.: **29/125,207**

(22) Filed: **Jun. 20, 2000**

(30) **Foreign Application Priority Data**

Apr. 24, 2000 (JP) ..... 12-010686

(51) **LOC (7) Cl.** ..... **13-01**

(52) **U.S. Cl.** ..... **D13/118; D13/182**

(58) **Field of Search** ..... D13/118, 182;  
257/734, 784, 690; 174/52.2

(56) **References Cited**

**U.S. PATENT DOCUMENTS**

3,575,546	A	*	4/1971	Liautaud	.....	174/52.2	X
4,594,644	A	*	6/1986	Painter	.....	174/52.2	X
4,788,626	A	*	11/1988	Neidig et al.	.....	361/715	
4,814,943	A	*	3/1989	Okuaki	.....	361/783	
5,241,133	A	*	8/1993	Mullen, III et al.	...	174/52.2	X
D358,804	S	*	5/1995	Siegel et al.	.....	D13/182	
5,526,234	A	*	6/1996	Vinciarelli et al.	...	174/52.2	X
5,731,222	A	*	3/1998	Malloy et al.	.....	257/784	X
D395,423	S	*	6/1998	Koyama et al.	.....	D13/182	
6,054,759	A	*	4/2000	Nakamura	.....	257/691	
6,194,782	B1	*	2/2001	Katchmar	.....	257/738	

**OTHER PUBLICATIONS**

USPTO, "Official Gazette," p. 2288, (Feb. 24, 1987).

USPTO, "Official Gazette," p. 1857, (Apr. 16, 1991).

USPTO, "Official Gazette," p. 1995, (Jul. 16, 1991).

USPTO, "Official Gazette," p. 2614, (Mar. 23, 1993).

USPTO, "Official Gazette," p. 2277, (Apr. 18, 1995).

USPTO, "Official Gazette," p. 583, (Nov. 7, 1995).

USPTO, "Official Gazette," p. 3117, (Oct. 22, 1996).

USPTO, "Official Gazette," p. 1602, (Nov. 12, 1996).

USPTO, "Official Gazette," p. 830, (Dec. 2, 1997).

USPTO, "Official Gazette," p. 3296, (Aug. 18, 1998).

USPTO, "Official Gazette," p. 1051, (Dec. 1, 1998).

USPTO, "Official Gazette," p. 841, (May 4, 1999).

USPTO, "Official Gazette," p. 3691, (Jun. 29, 1999).

USPTO, "Official Gazette," p. 5907, (Nov. 23, 1999).

\* cited by examiner

*Primary Examiner*—Joel Sincavage

(74) *Attorney, Agent, or Firm*—Dennis G. LaPointe; Mason & Associates P.A.

(57) **CLAIM**

The ornamental design for a circuit block for power supply, as shown and described.

**DESCRIPTION**

FIG. 1 is a front perspective view of the circuit block for power supply showing our new design;

FIG. 2 is a front elevational view;

FIG. 3 is a rear elevational view;

FIG. 4 is a top plan view;

FIG. 5 is a bottom plan view; and,

FIG. 6 is a right-side elevational view.

The left-side elevational view is symmetry of the right-side elevational view.

**1 Claim, 2 Drawing Sheets**

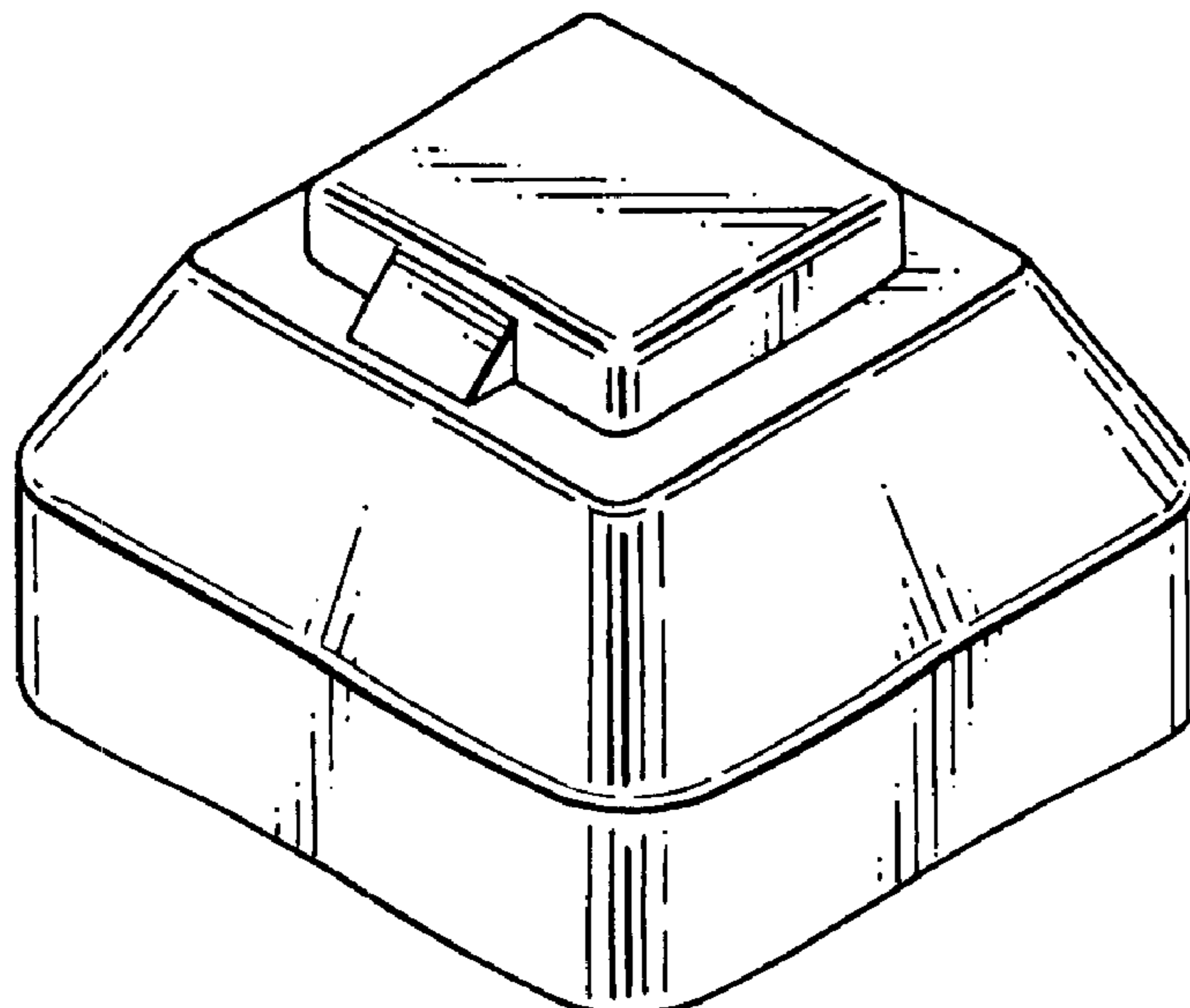


FIG. 1

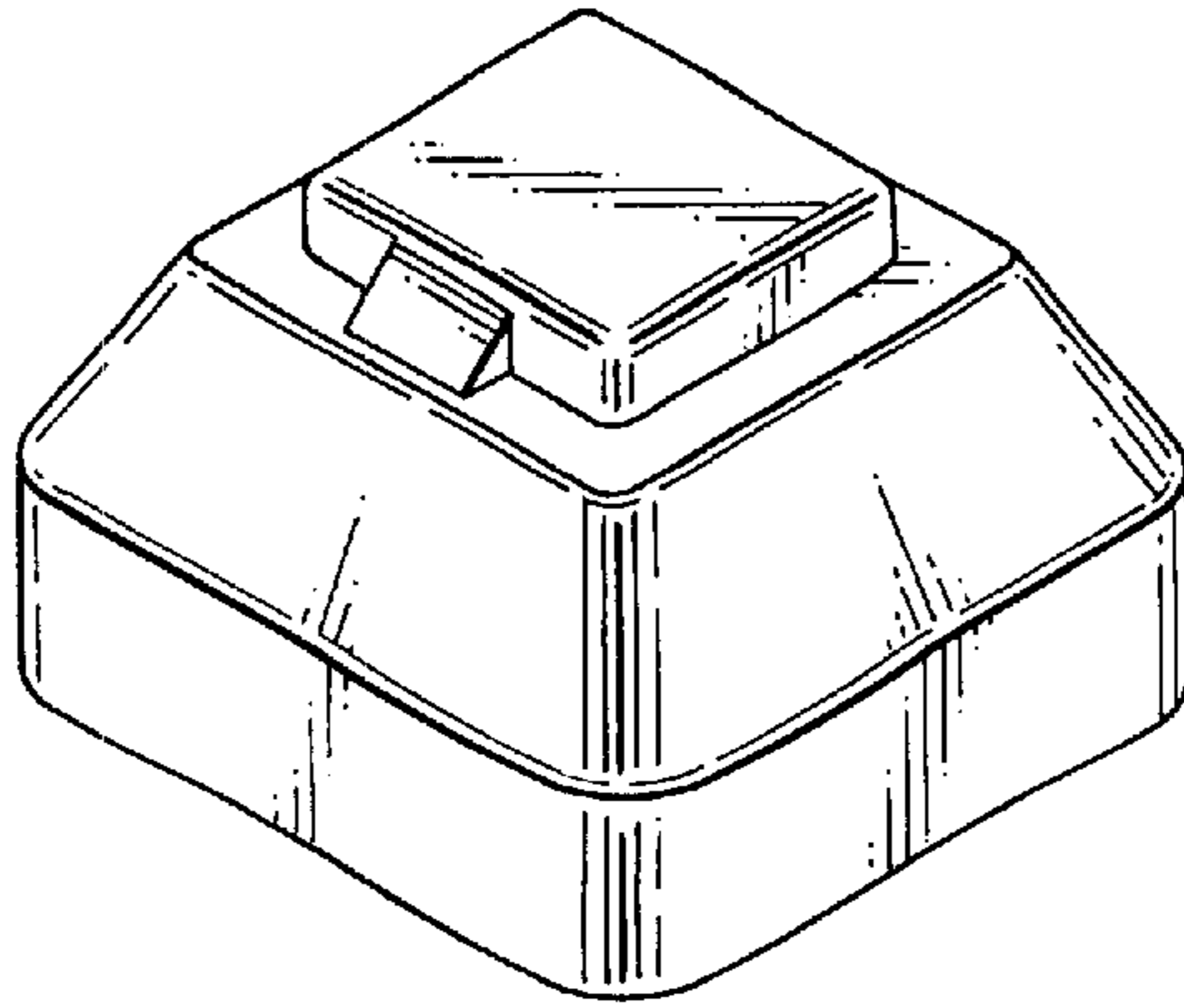


FIG. 2

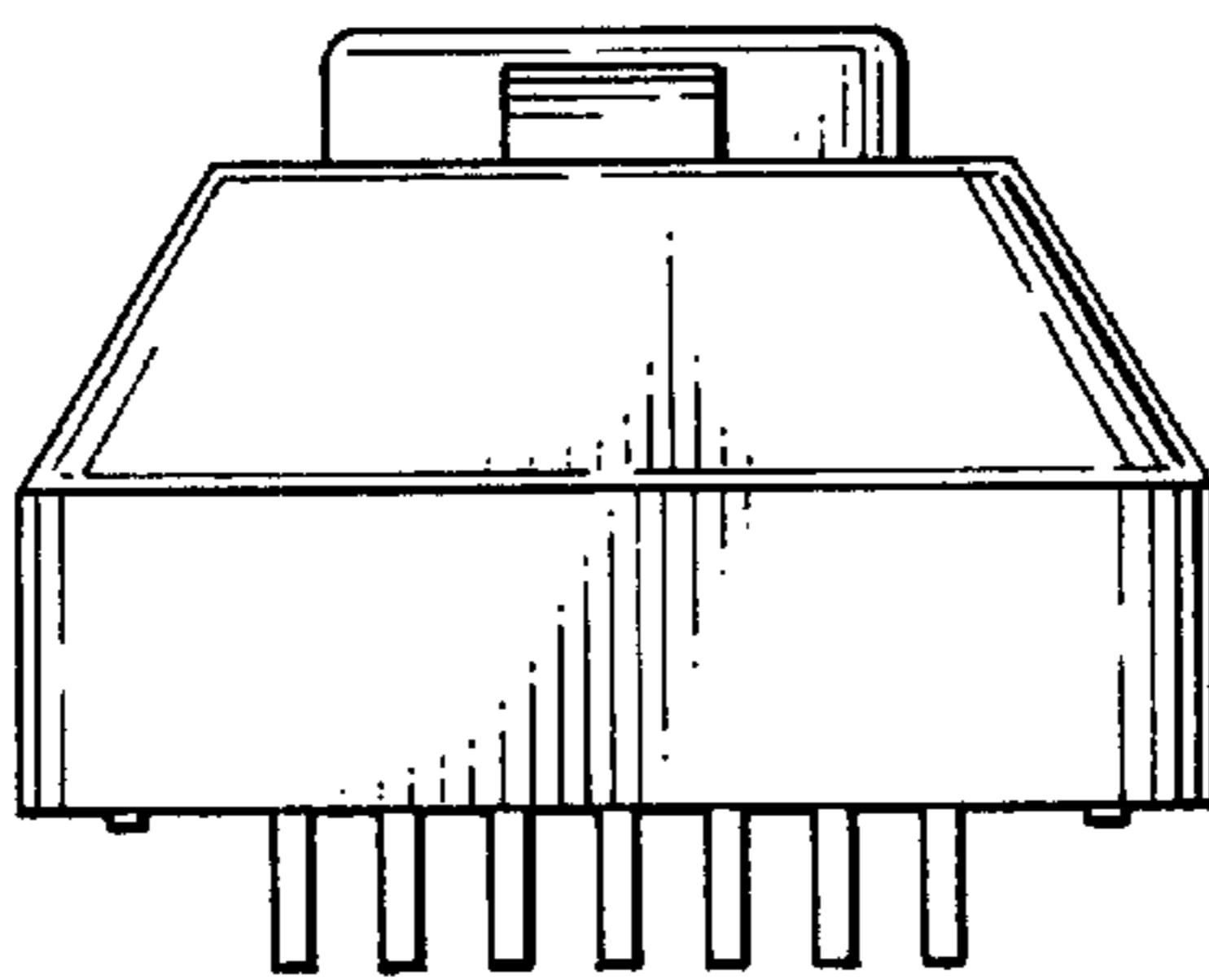


FIG. 3

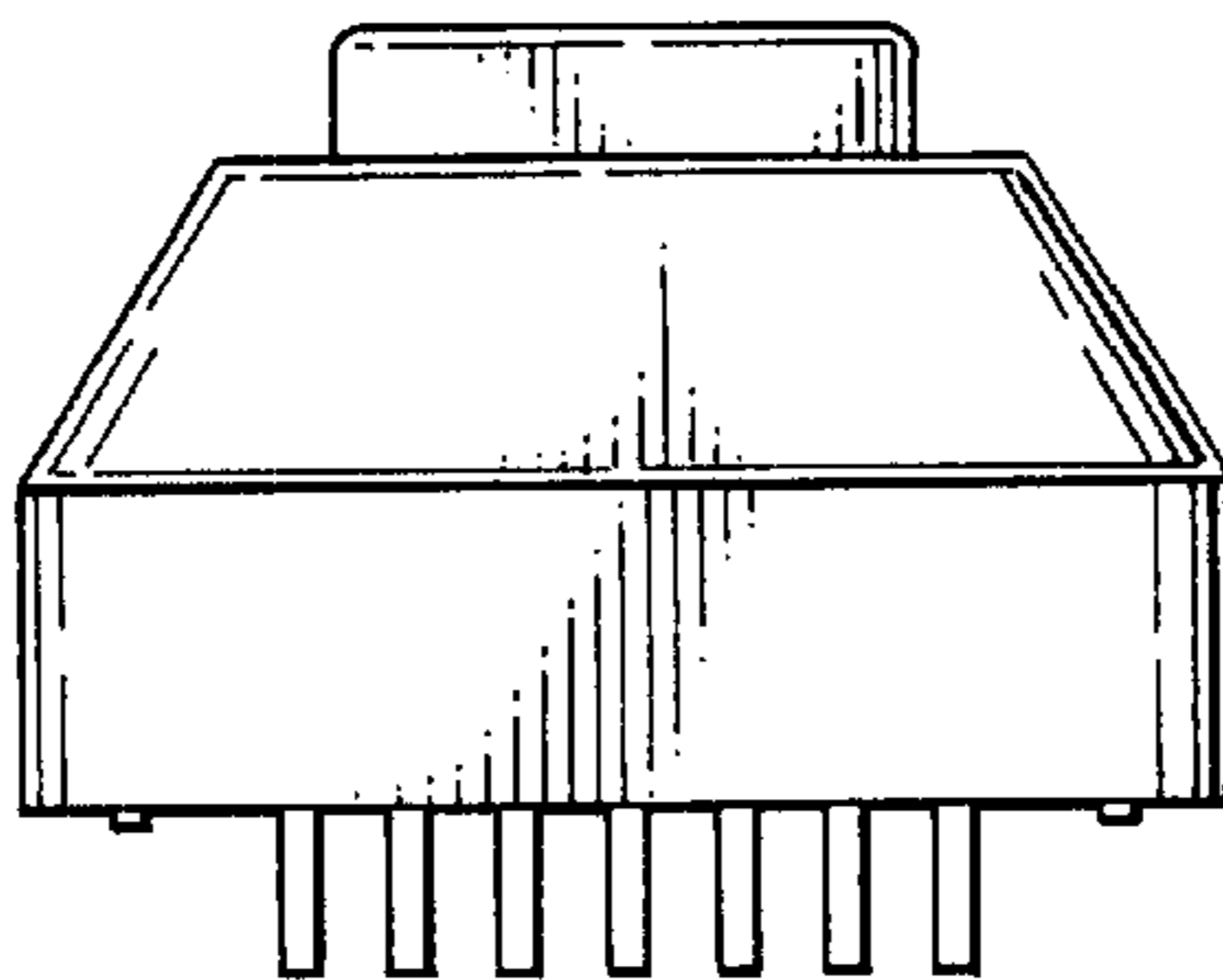


FIG. 4

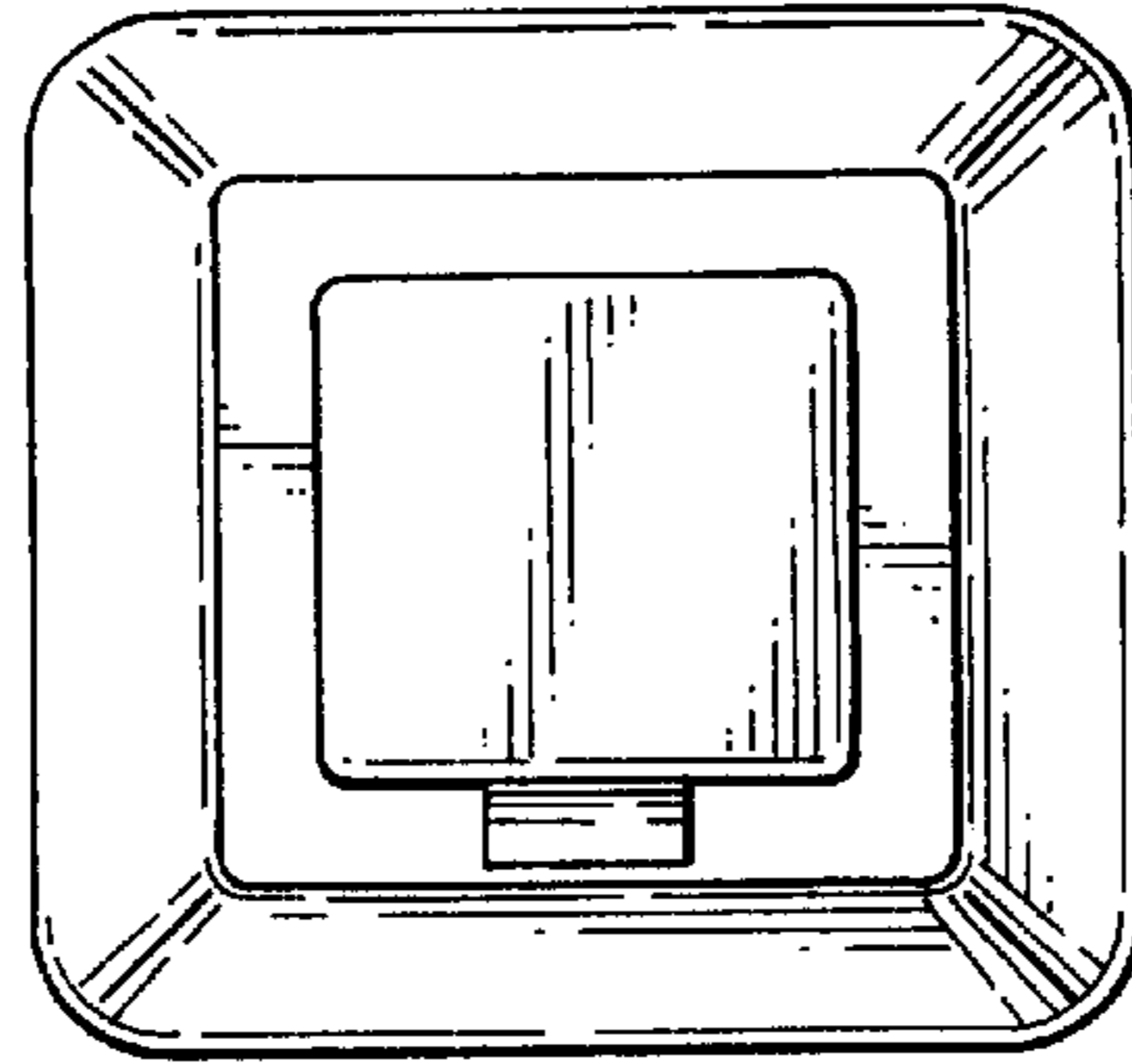


FIG. 5

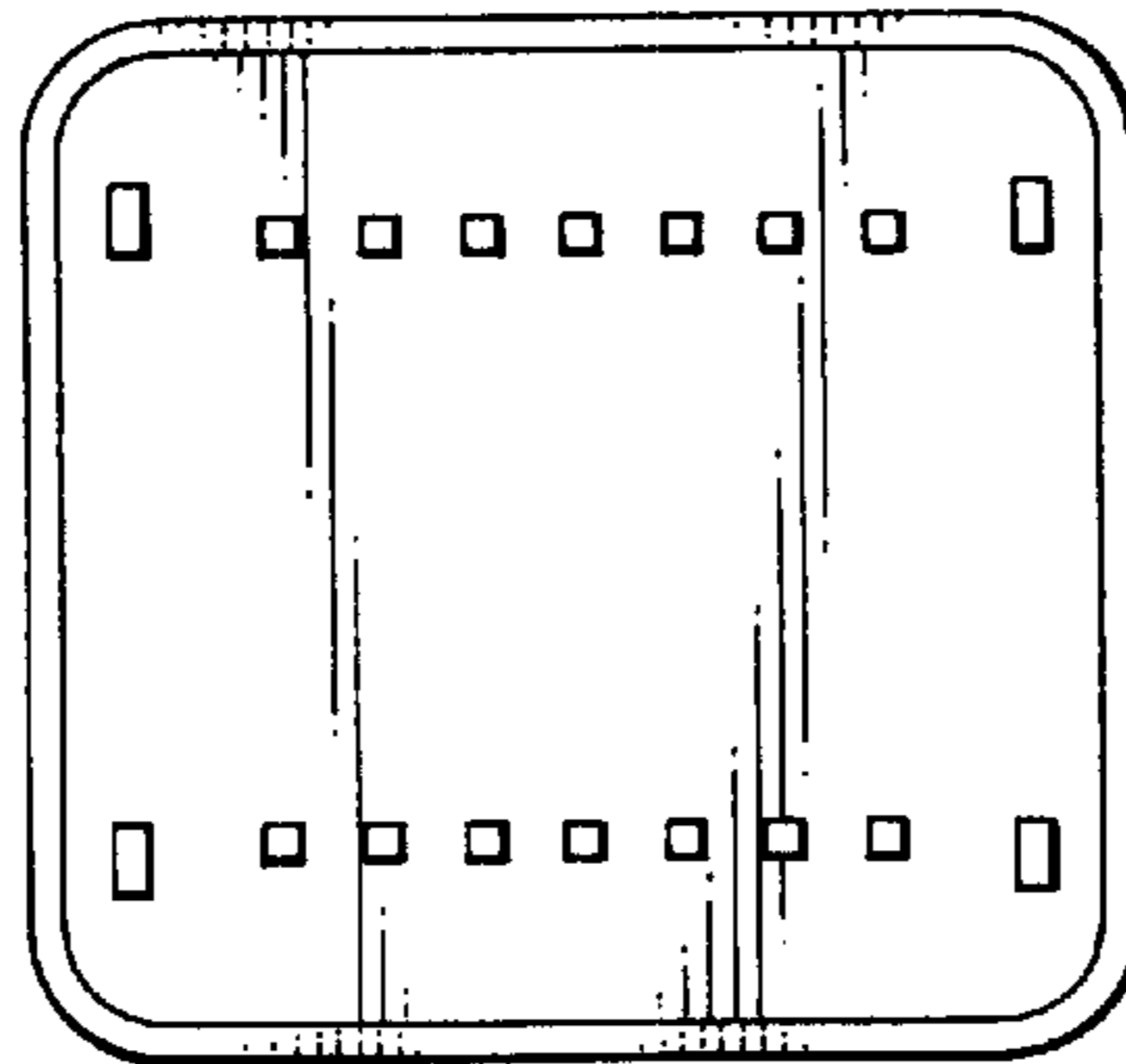
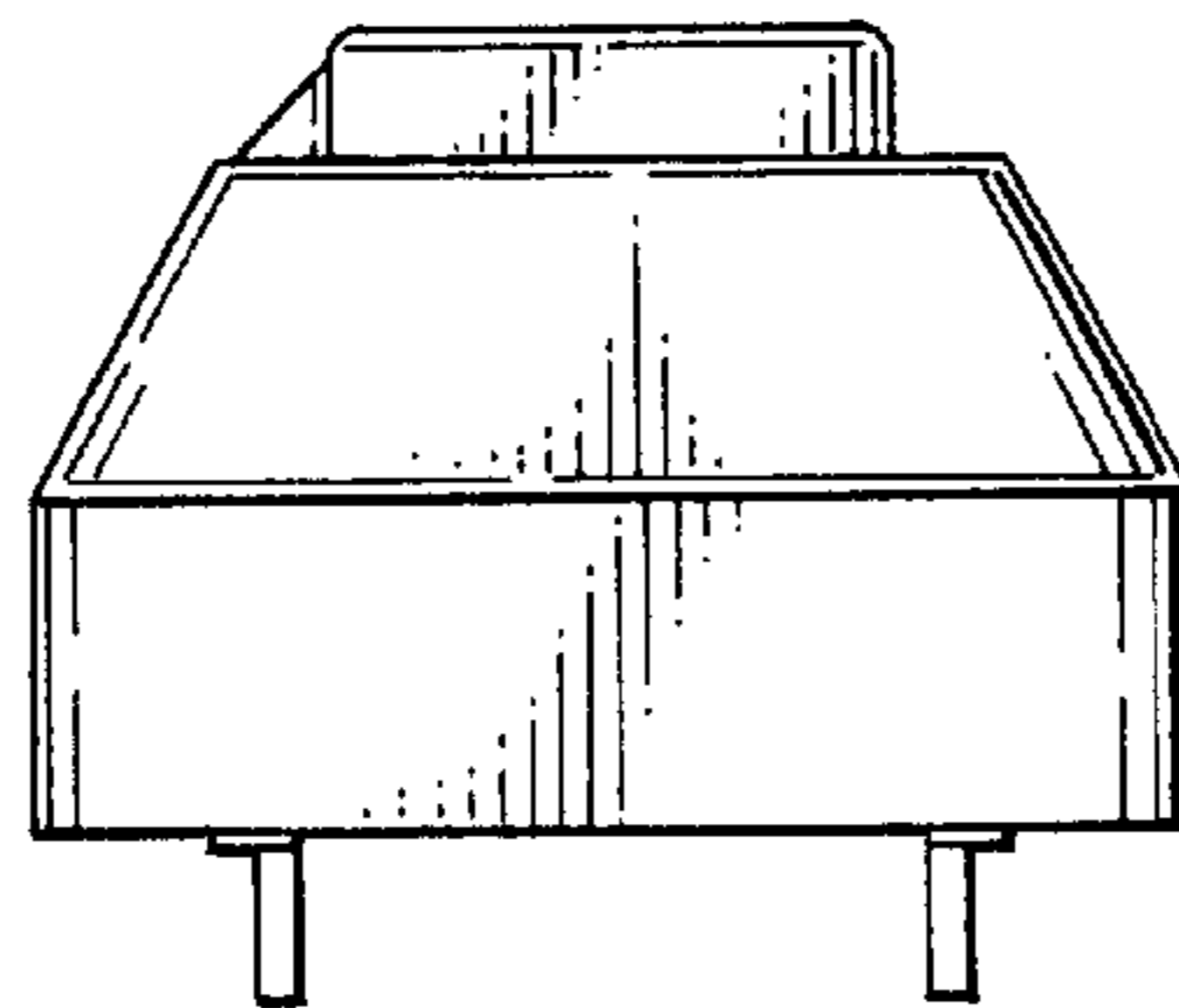


FIG. 6



UNITED STATES PATENT AND TRADEMARK OFFICE  
**CERTIFICATE OF CORRECTION**

PATENT NO. : Des 453,141 S  
DATED : January 29, 2002  
INVENTOR(S) : Osamu Watanabe et al.

Page 1 of 1

It is certified that error appears in the above-identified patent and that said Letters Patent is hereby corrected as shown below:

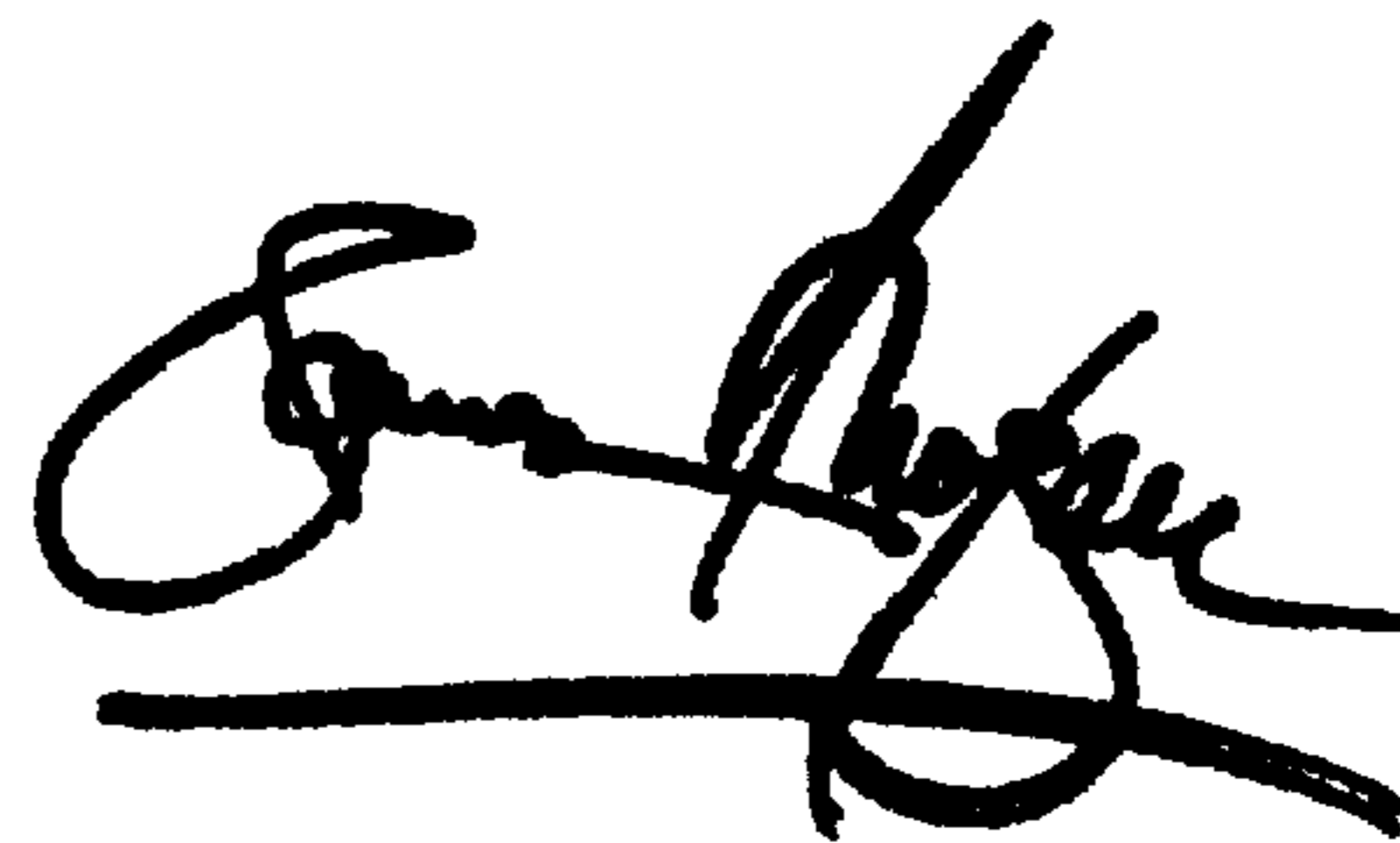
Title page.

Item [75], Inventors, replace "city of all inventors" with -- Saitama, Japan --.

Signed and Sealed this

Thirtieth Day of April, 2002

*Attest:*

A handwritten signature in black ink, appearing to read "James E. Rogan", written over a horizontal line.

*Attesting Officer*

JAMES E. ROGAN  
*Director of the United States Patent and Trademark Office*