



US00D453139S

(12) **United States Design Patent**
Yang

(10) **Patent No.:** **US D453,139 S**

(45) **Date of Patent:** **** Jan. 29, 2002**

(54) **COMPUTER POWER SUPPLY**

(76) **Inventor:** **Sheng-Chang Yang**, P.O. Box No.
6-57, Chung-Ho City, Taipei Hsien 235
(TW)

(**) **Term:** **14 Years**

(21) **Appl. No.:** **29/141,929**

(22) **Filed:** **May 16, 2001**

(51) **LOC (7) Cl.** **13-02**

(52) **U.S. Cl.** **D13/110**

(58) **Field of Search** D13/110, 123;
301/150, 151; 361/679, 683, 724, 725,
728

(56) **References Cited**

U.S. PATENT DOCUMENTS

D365,082 S	*	12/1995	Cook, II et al.	D13/110
D382,539 S	*	8/1997	Kornblum et al.	D13/123
5,687,066 A	*	11/1997	Cook, II	363/89
5,777,848 A	*	7/1998	McAnally et al.	361/725

5,949,652 A	*	9/1999	McAnally et al.	361/726
D426,810 S	*	6/2000	Wei	D13/110
D427,969 S	*	7/2000	Wei	D13/110
D437,288 S	*	2/2001	Light	D13/110
6,215,664 B1	*	4/2001	Hernandez et al.	361/725
6,246,571 B1	*	6/2001	Lin et al.	361/683

* cited by examiner

Primary Examiner—Joel Sincavage

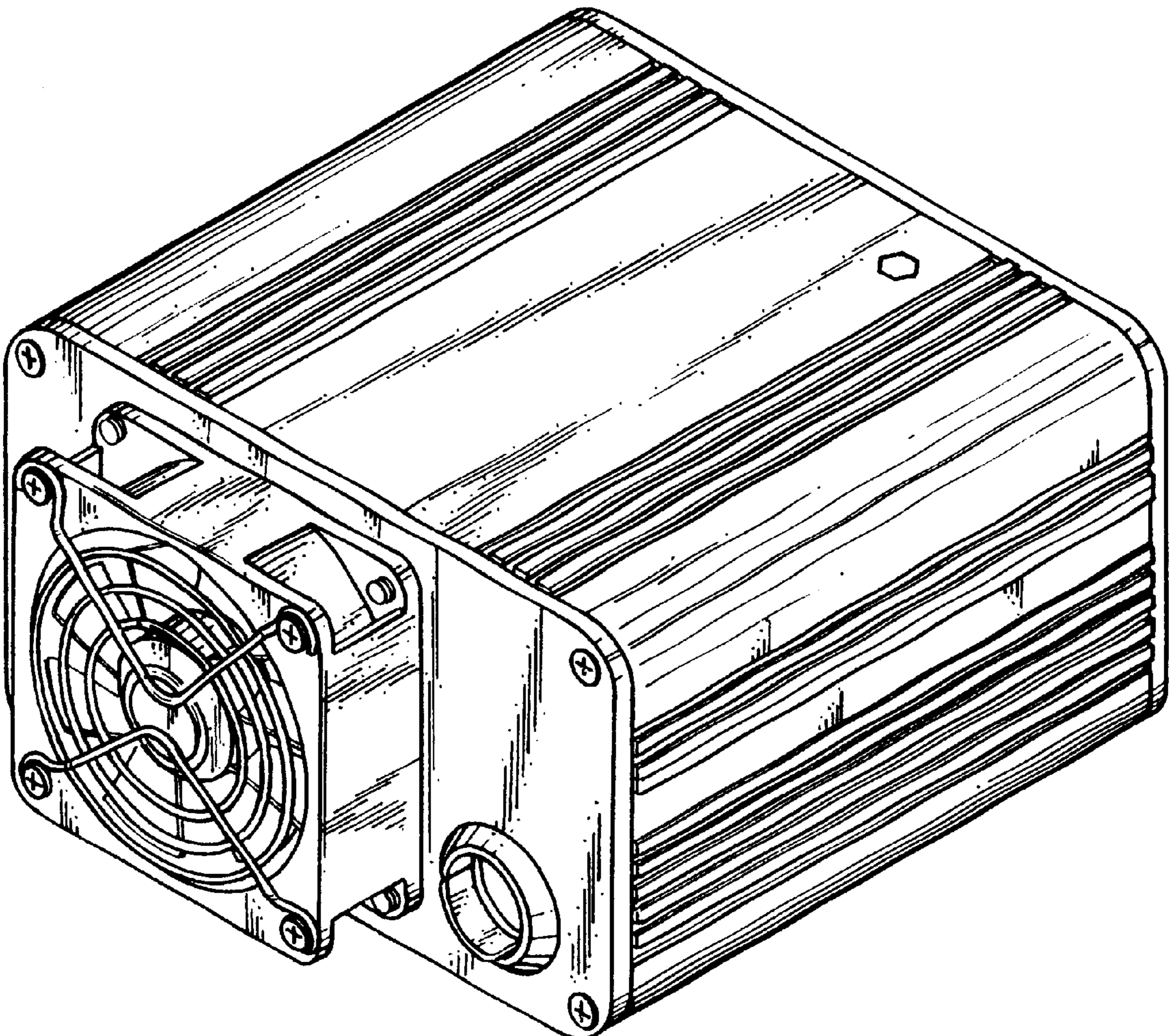
(57) **CLAIM**

The ornamental design for a computer power supply, as shown and described.

DESCRIPTION

FIG. 1 is a perspective view thereof;
FIG. 2 is a front view thereof;
FIG. 3 is a back view thereof;
FIG. 4 is a right side view thereof;
FIG. 5 is a left side view thereof;
FIG. 6 is a top view thereof; and,
FIG. 7 is a bottom view thereof.

1 Claim, 4 Drawing Sheets



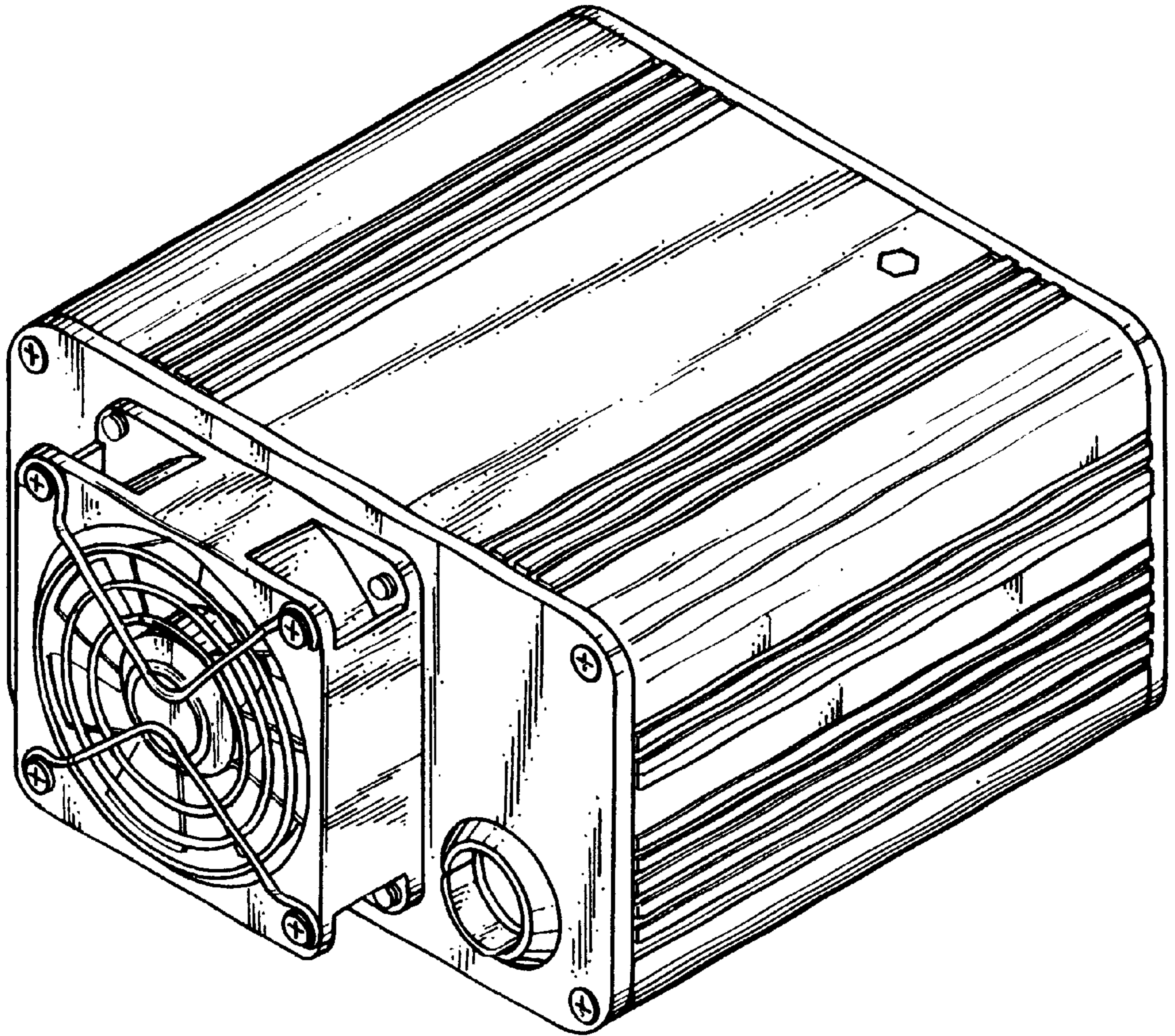


FIG. 1

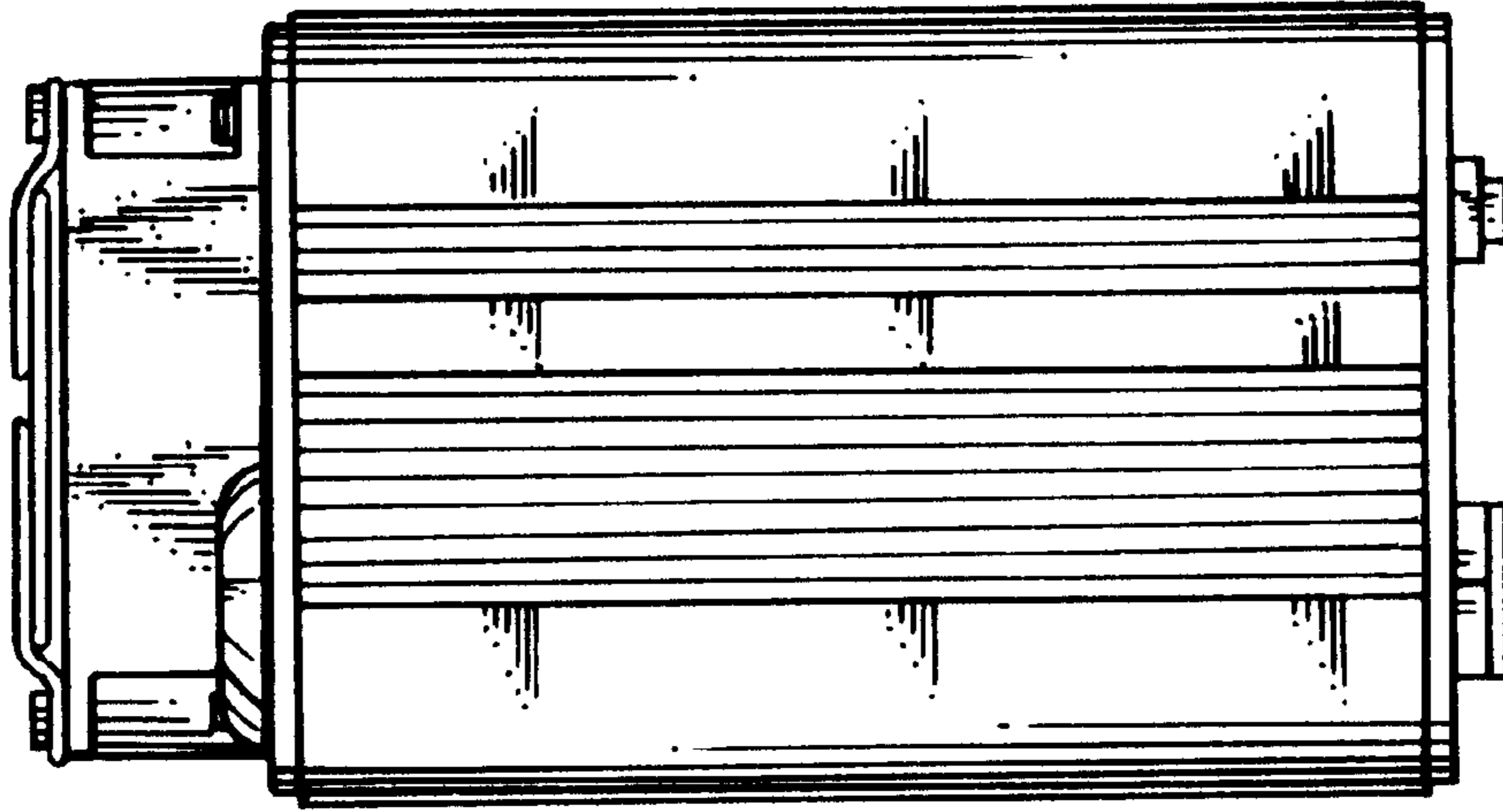


FIG. 2

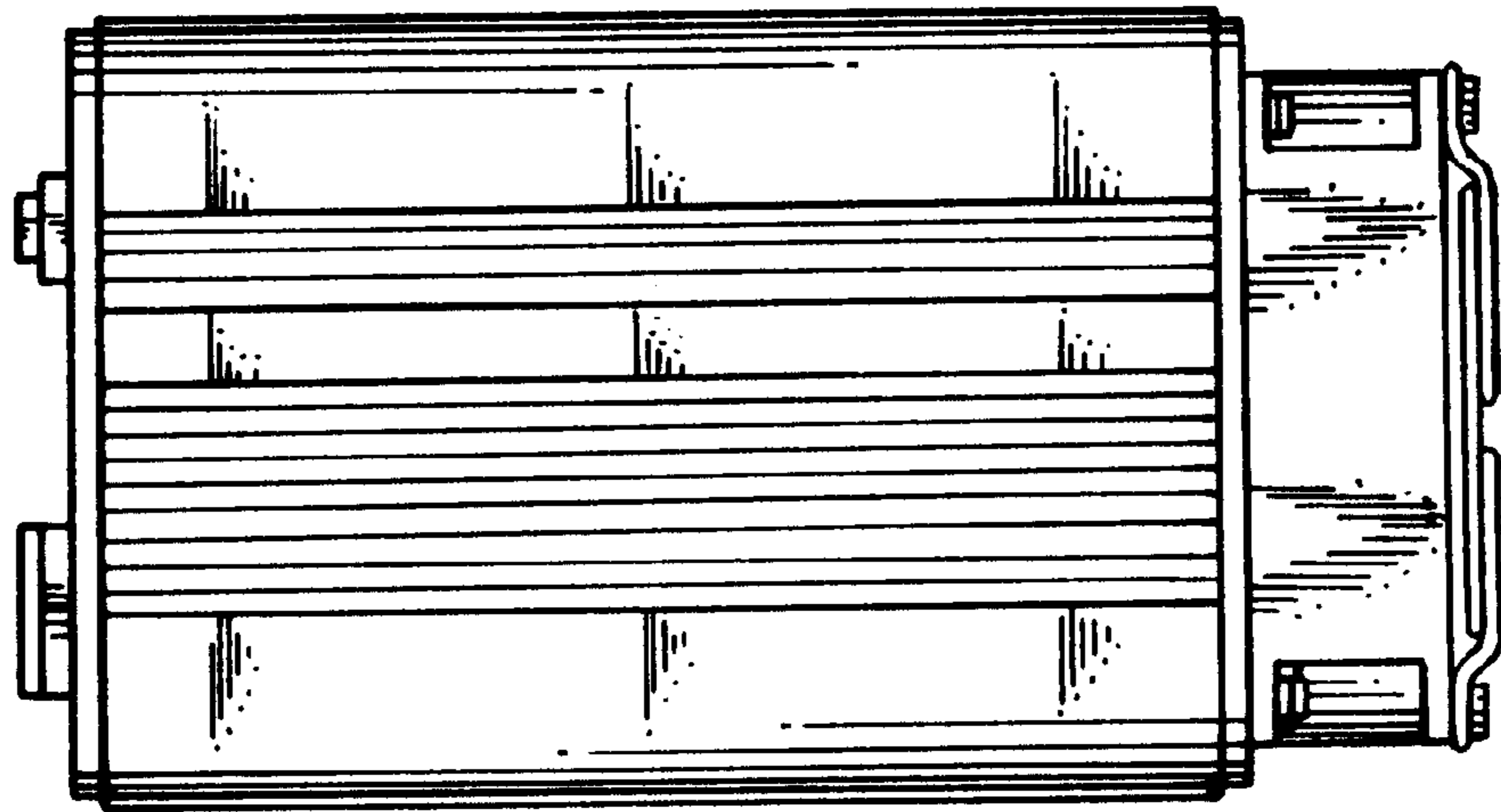


FIG. 3

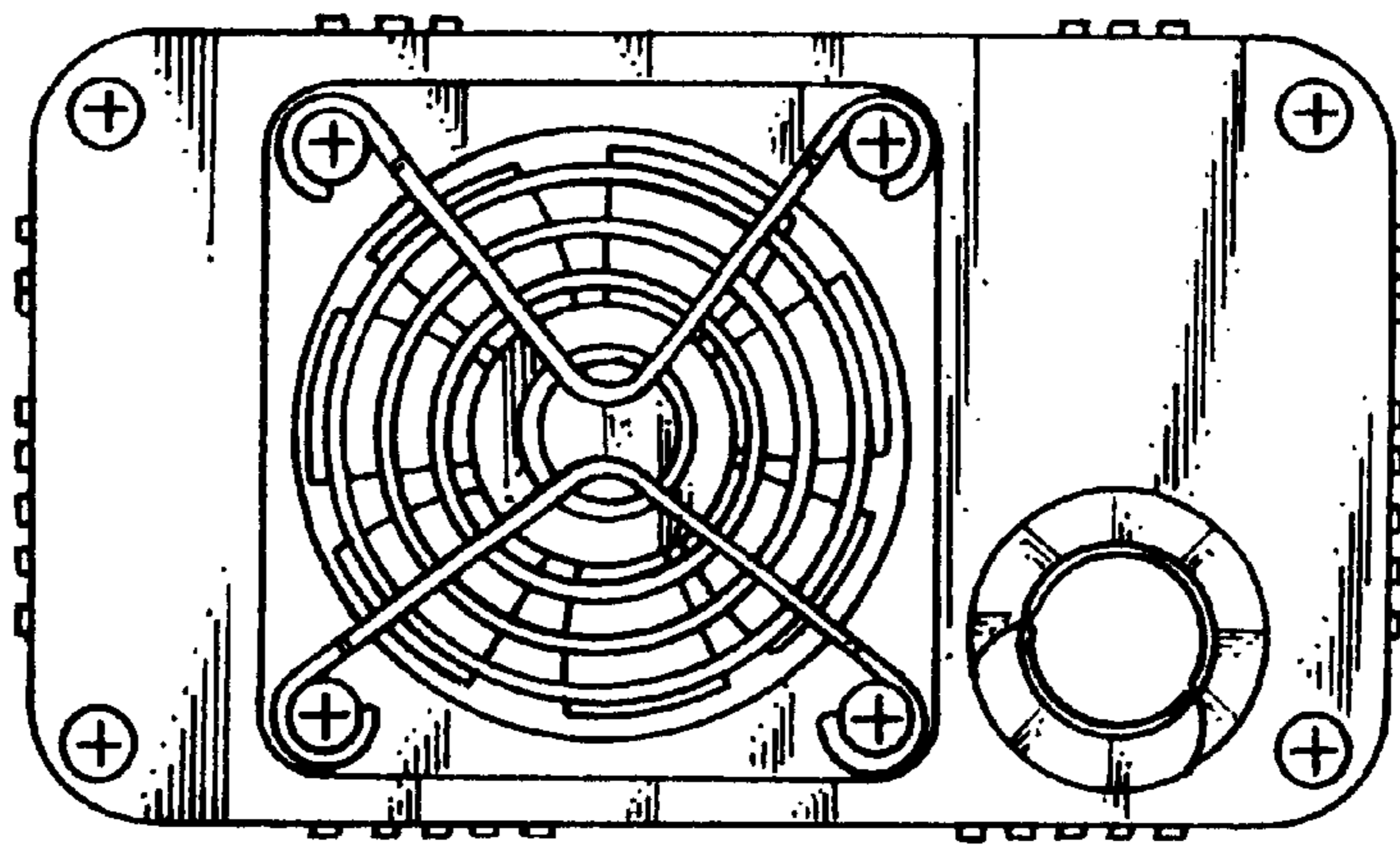


FIG. 4

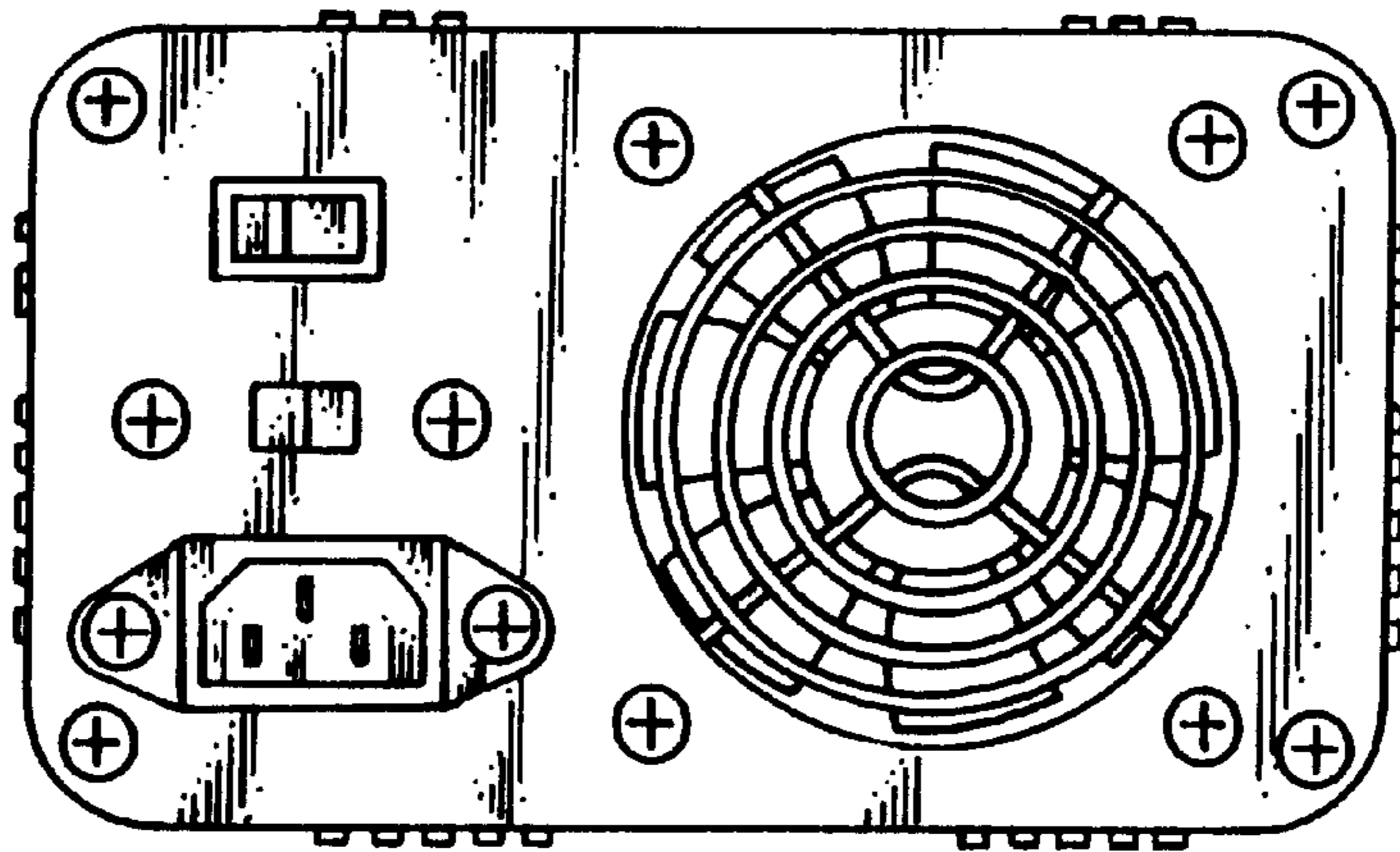


FIG. 5

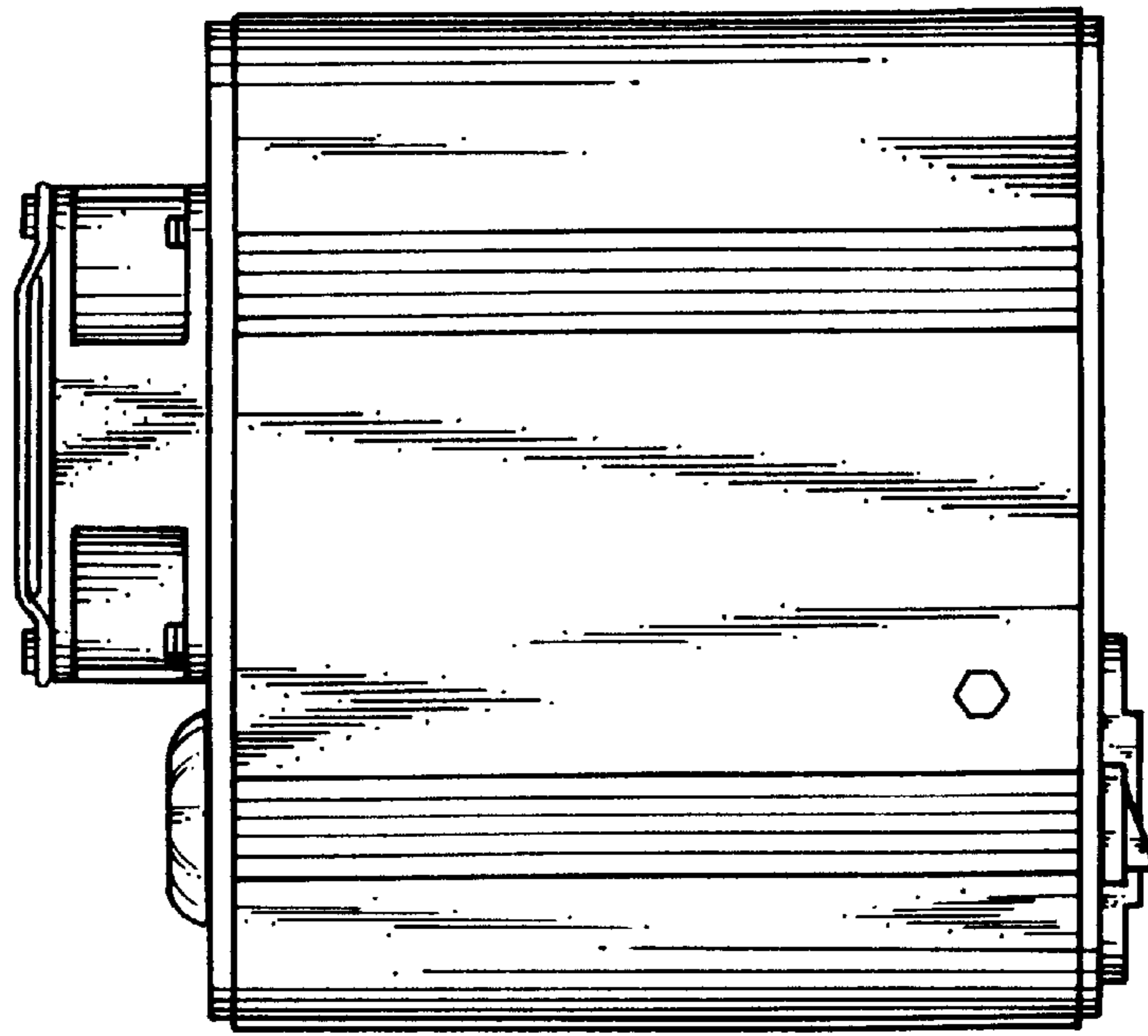


FIG. 6

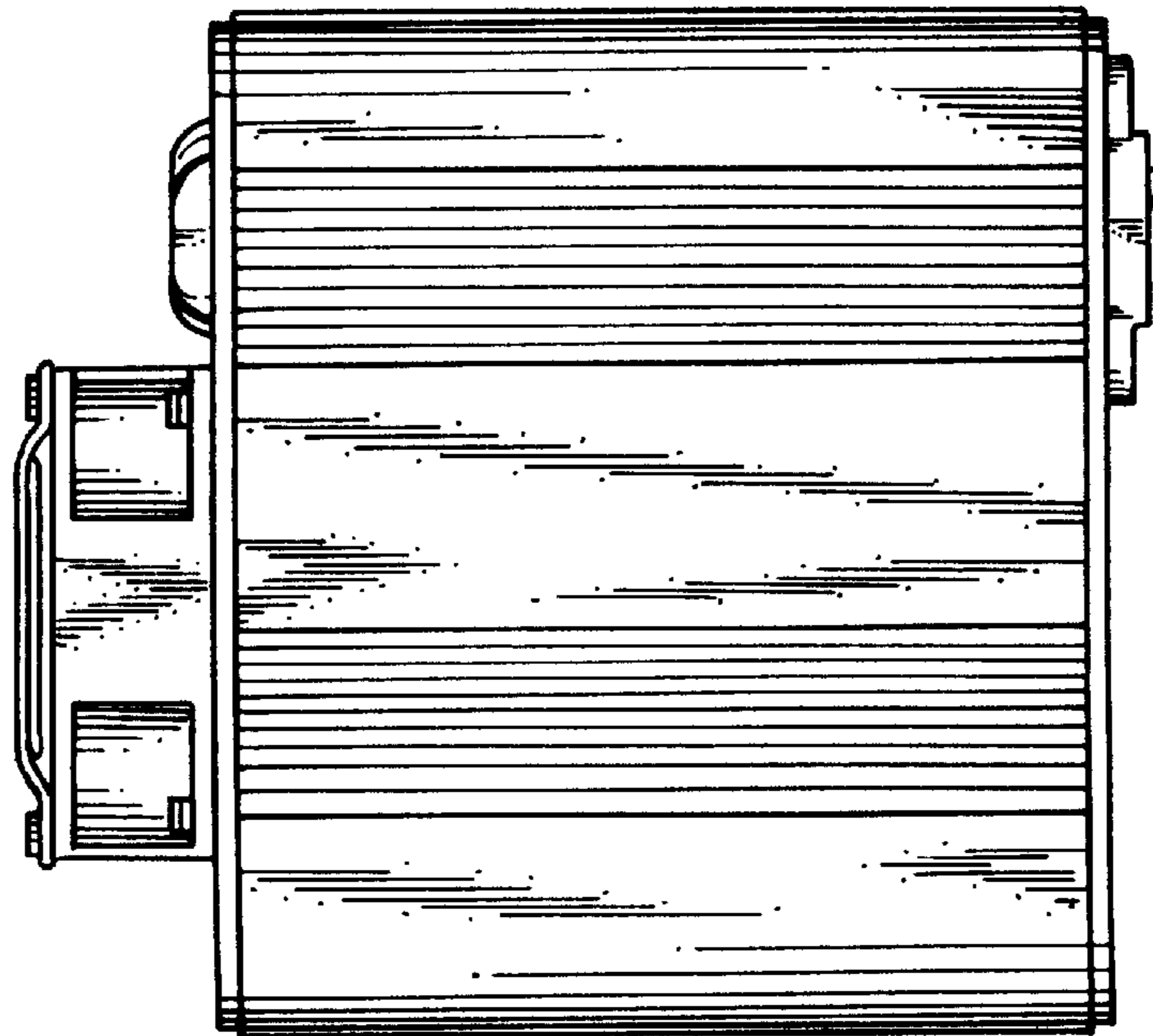


FIG. 7