



US00D453135S

(12) **United States Design Patent**
Chen

(10) **Patent No.:** **US D453,135 S**
(45) **Date of Patent:** **** Jan. 29, 2002**

(54) **WHEEL FRAME**
(75) Inventor: **Ting-Hsing Chen**, Tainan Hsien (TW)
(73) Assignee: **Far Great Plastics Industrial Co., Ltd.**, Tainan Hsien (TW)
(**) Term: **14 Years**

D378,506 S * 3/1997 Stolz et al. D12/209
D383,721 S * 9/1997 Baker et al. D12/209
D387,319 S * 12/1997 Timm et al. D12/209
D388,749 S * 1/1998 Kiser D12/133
D389,101 S * 1/1998 Julien D12/133
D438,155 S * 2/2001 Hanson D12/209
D445,389 S * 7/2001 Stach D12/209

* cited by examiner

(21) Appl. No.: **29/146,456**
(22) Filed: **Aug. 10, 2001**
(51) **LOC (7) Cl.** **12-16**
(52) **U.S. Cl.** **D12/209**
(58) **Field of Search** D12/204-211;
301/37.1, 64.1, 65

Primary Examiner—Stacia Cadmus

(74) *Attorney, Agent, or Firm*—Rosenberg, Klein & Lee

(57) **CLAIM**

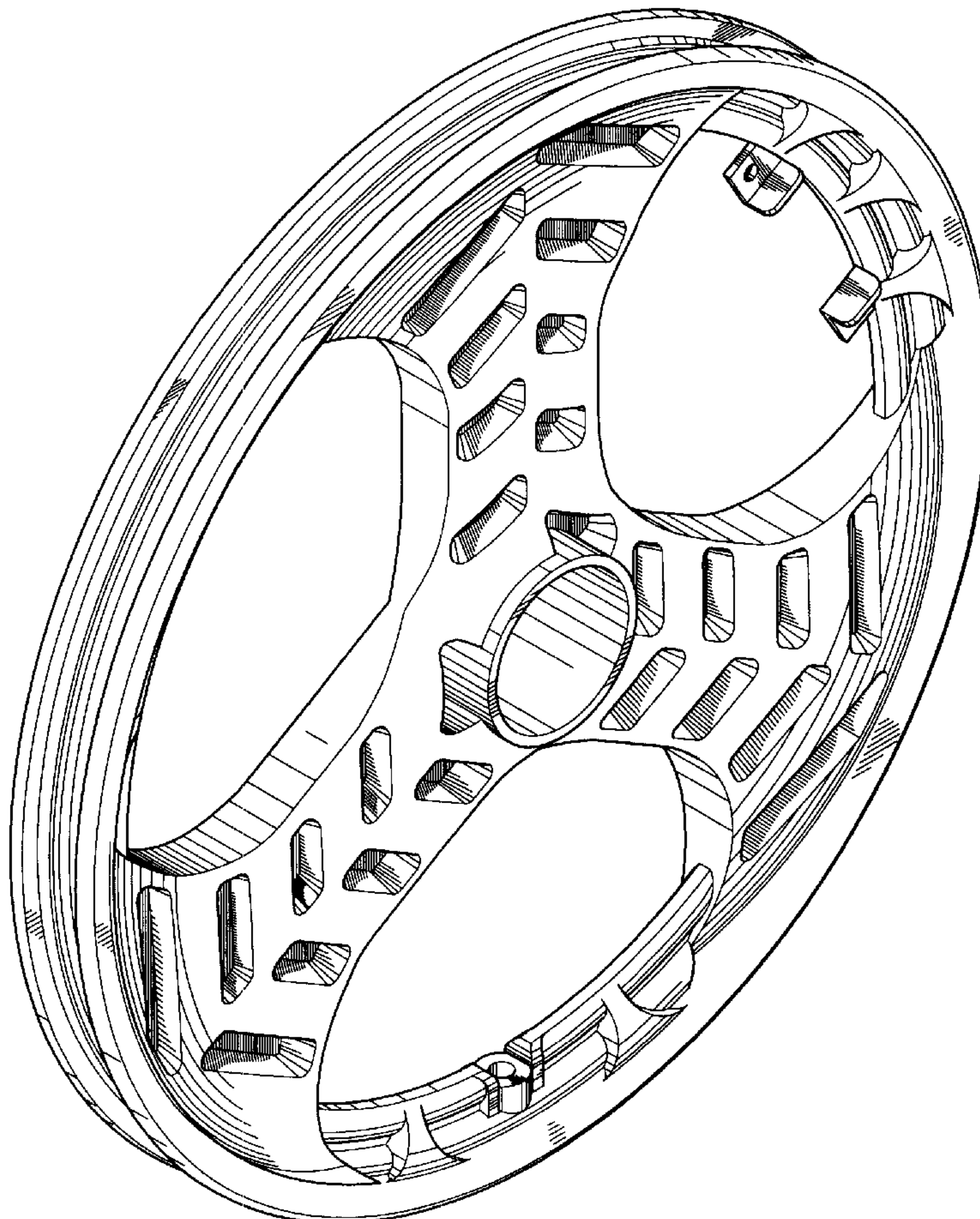
The ornamental design for a wheel frame, as shown and described.

DESCRIPTION

FIG. 1 is a perspective view of a wheel frame showing my present design;
FIG. 2 is a front view thereof;
FIG. 3 is a rear view thereof;
FIG. 4 is a left view thereof;
FIG. 5 is a right view thereof;
FIG. 6 is a top plan view thereof; and,
FIG. 7 is a bottom plan view.

(56) **References Cited**
U.S. PATENT DOCUMENTS
1,619,802 A * 3/1927 Baker D12/209 X
D279,093 S * 6/1985 Reid D12/211
D303,516 S * 9/1989 Arredondo, Jr. D12/209
D352,021 S * 11/1994 Powers D12/180
D370,652 S * 6/1996 Londry D12/209
D372,697 S * 8/1996 Echazabal et al. D12/209
D376,574 S * 12/1996 Niles D12/211

1 Claim, 5 Drawing Sheets



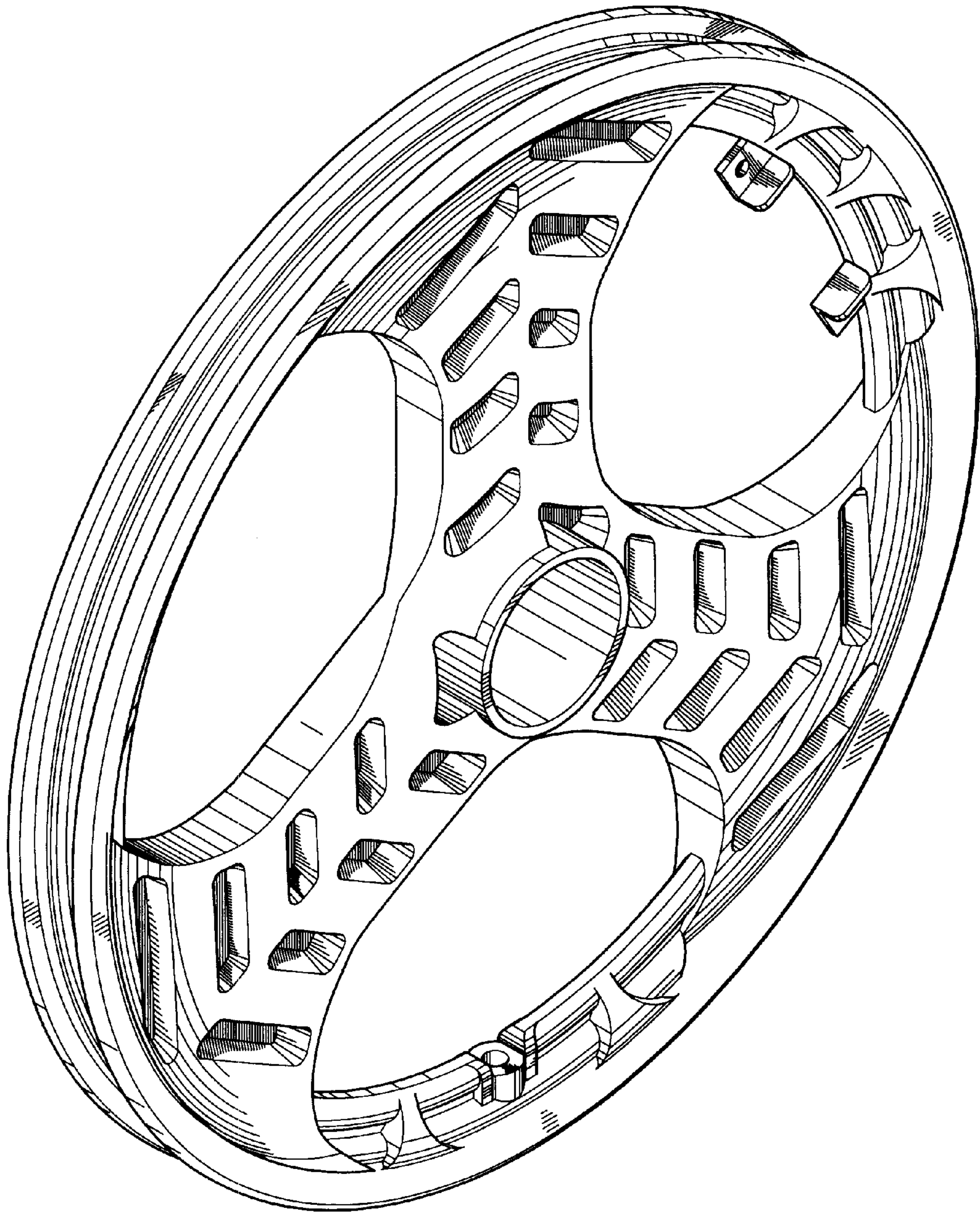


FIG. 1

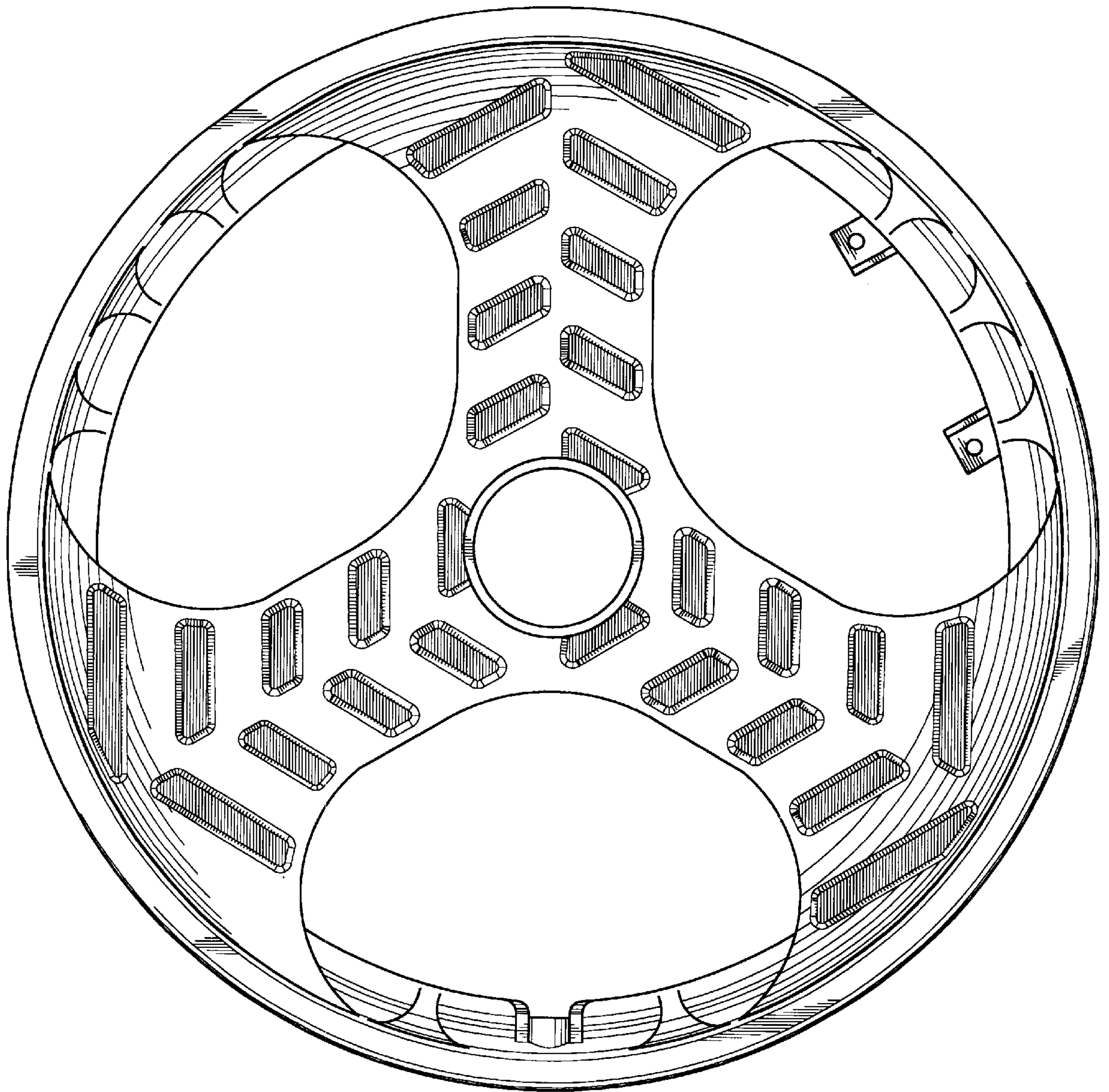


FIG. 2

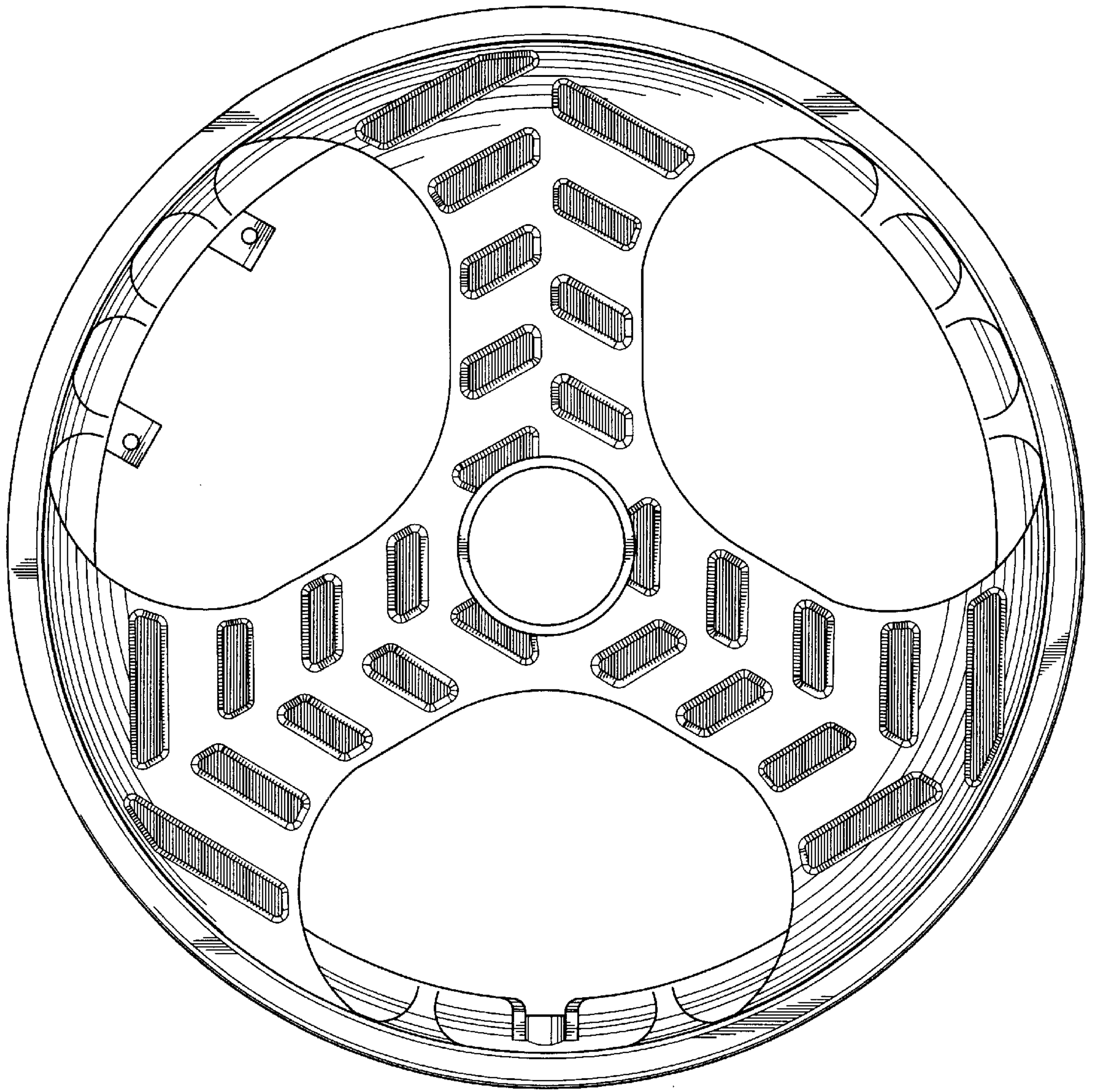


FIG. 3

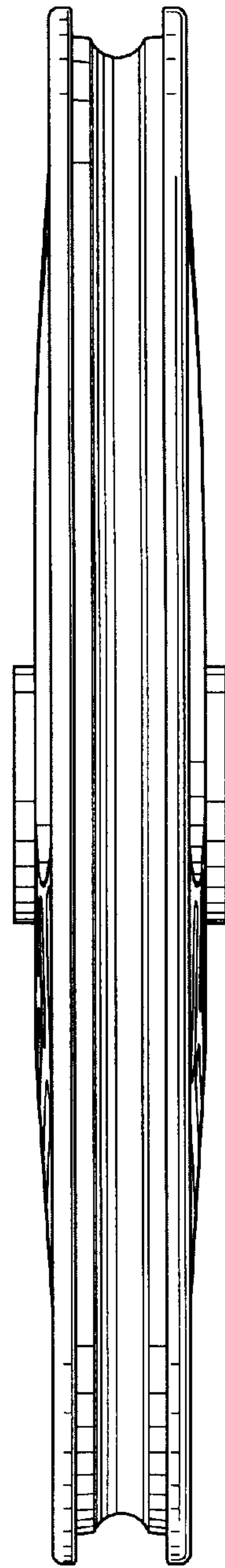
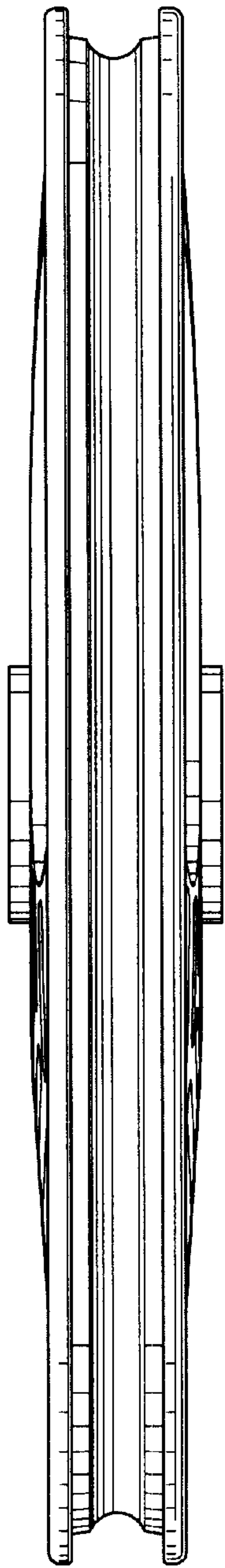


FIG. 4

FIG. 5

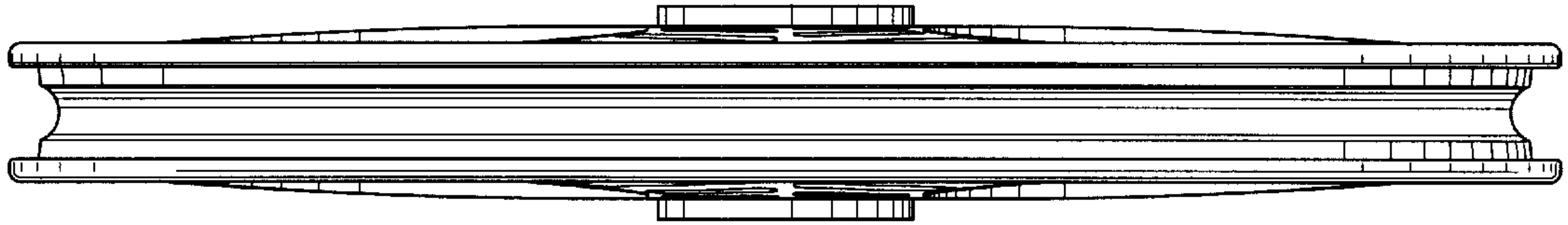


FIG. 6

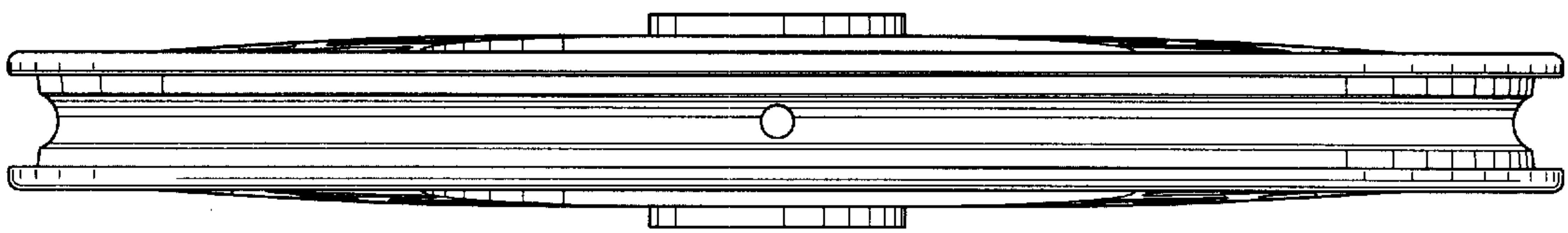


FIG. 7