



US00D453134S

(12) **United States Design Patent**
Murkett et al.

(10) **Patent No.:** **US D453,134 S**

(45) **Date of Patent:** **** Jan. 29, 2002**

(54) **FRONT FACE OF A VEHICLE WHEEL**

(75) Inventors: **Stephen Murkett**, Gerlingen; **Michael Gallert**, Stuttgart, both of (DE)

(73) Assignee: **Dr. Ing. h.c.F. Porsche Aktiengesellschaft**, Stuttgart (DE)

(**) Term: **14 Years**

(21) Appl. No.: **29/145,212**

(22) Filed: **Jul. 19, 2001**

(30) **Foreign Application Priority Data**

Jan. 20, 2001 (DE) 4 01 00 569

(51) **LOC (7) Cl.** **12-16**

(52) **U.S. Cl.** **D12/209**

(58) **Field of Search** D12/204-211;
301/37.1, 64.1, 65

(56) **References Cited**

U.S. PATENT DOCUMENTS

D256,576 S * 8/1980 Koch D12/209
D384,930 S * 10/1997 Hale, Jr. D12/209

D396,681 S * 8/1998 Boyer D12/209
D398,276 S * 9/1998 Neeper D12/209
D404,000 S * 1/1999 Melbinger D12/209
D415,090 S * 10/1999 Pruden D12/209
D416,847 S * 11/1999 Couzyn et al. D12/209
D419,946 S * 2/2000 Goplen D12/211
D420,639 S * 2/2000 Roesianto D12/209
D436,909 S * 1/2001 Lotson D12/209

* cited by examiner

Primary Examiner—Stacia Cadmus

(74) *Attorney, Agent, or Firm*—Crowell & Moring LLP

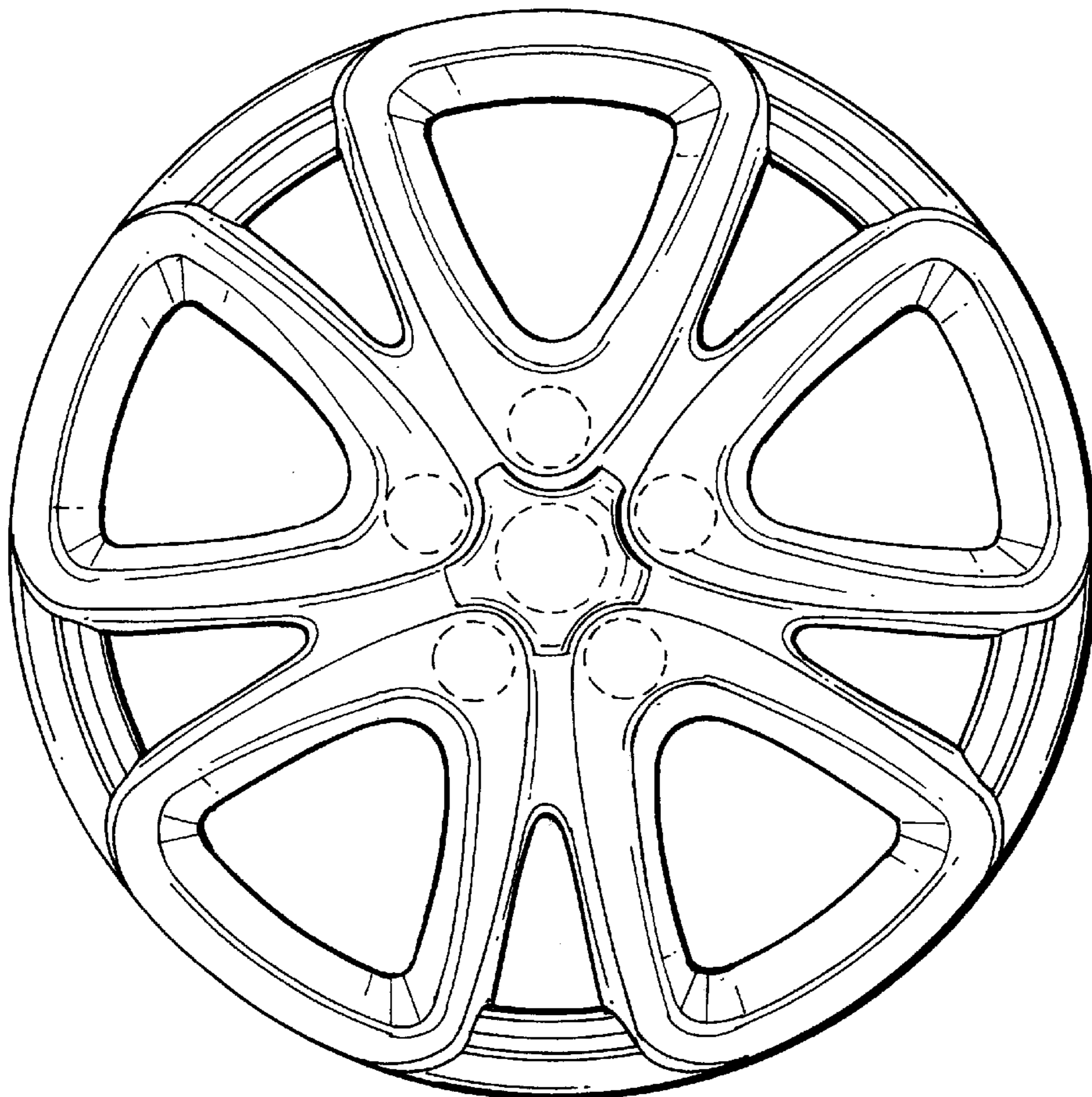
(57) **CLAIM**

The ornamental design for a front face of a vehicle wheel, as shown and described.

DESCRIPTION

FIG. 1 is a front view of a front face of a vehicle wheel according to our novel design; and, FIG. 2 is a perspective view of the front face of a vehicle wheel according to our novel design. The dash lines included depict environment and are not part of the claimed design.

1 Claim, 1 Drawing Sheet



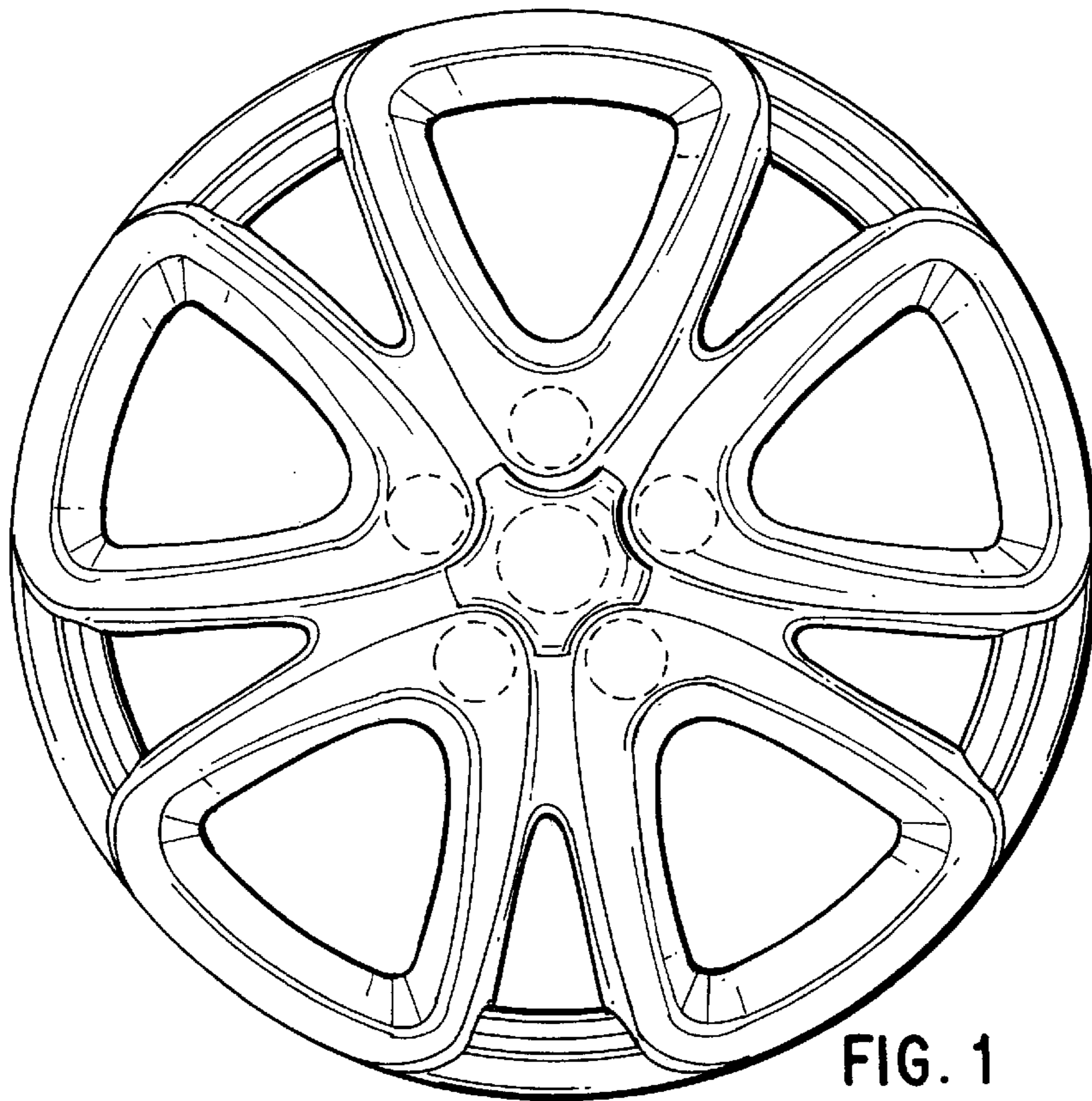


FIG. 1

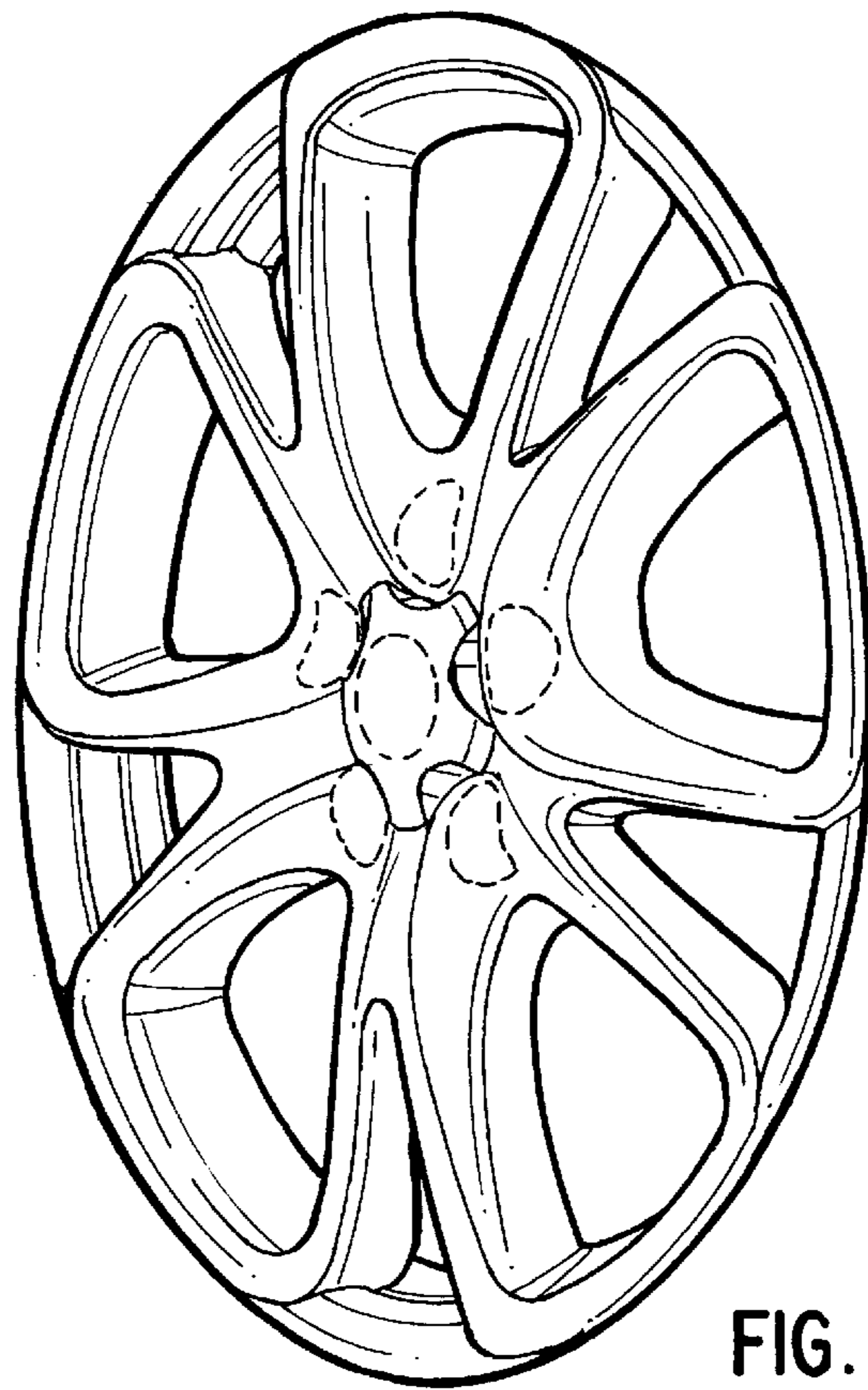


FIG. 2