



US00D453133S

(12) **United States Design Patent**
Murkett et al.

(10) **Patent No.:** **US D453,133 S**
(45) **Date of Patent:** **** Jan. 29, 2002**

(54) **FRONT FACE OF A VEHICLE WHEEL**

(75) Inventors: **Stephen Murkett**, Gerlingen; **Michael Gallert**, Stuttgart, both of (DE)

(73) Assignee: **Dr. Ing. h.c.F. Porsche Aktiengesellschaft**, Stuttgart (DE)

(**) Term: **14 Years**

(21) Appl. No.: **29/137,549**

(22) Filed: **Feb. 26, 2001**

(30) **Foreign Application Priority Data**

Aug. 24, 2000 (DE) 4 00 08 022

(51) **LOC (7) Cl.** **12-16**

(52) **U.S. Cl.** **D12/209**

(58) **Field of Search** D12/204-211;
301/37.1, 64.1, 65

(56) **References Cited**

U.S. PATENT DOCUMENTS

D208,541 S * 9/1967 Rader D12/211
D219,871 S * 2/1971 Griffith D12/209

3,726,672 A * 4/1973 Lindberg et al. D12/209 X
D370,883 S * 6/1996 Bhambra D12/209
D407,057 S * 3/1999 Goplen D12/211
D409,969 S * 5/1999 Chung D12/211
D423,441 S * 4/2000 Bildhaeuser D12/209
D428,845 S * 8/2000 Yoshida et al. D12/211
D432,970 S * 10/2000 Pfeiffer et al. D12/209
D436,912 S * 1/2001 Boyer D12/211

* cited by examiner

Primary Examiner—Stacia Cadmus

(74) *Attorney, Agent, or Firm*—Crowell & Moring LLP

(57) **CLAIM**

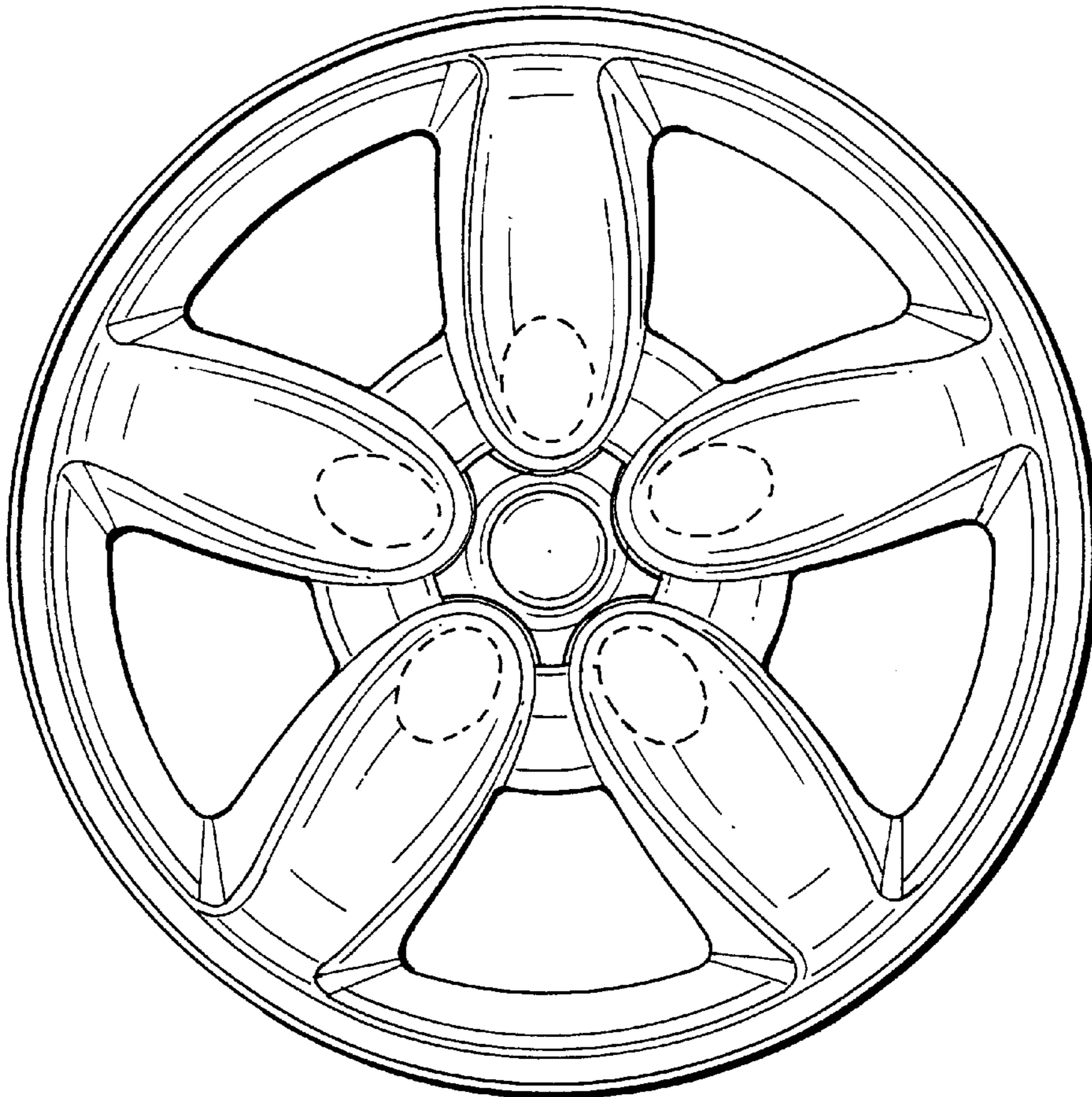
The ornamental design for a front face of a vehicle wheel, as shown and described.

DESCRIPTION

FIG. 1 is a front view of a front face of a vehicle wheel according to our novel design; and, FIG. 2 is a perspective view of a front face of a vehicle wheel according to our novel design.

The dash lines included depict environment and are not part of the claimed design.

1 Claim, 1 Drawing Sheet



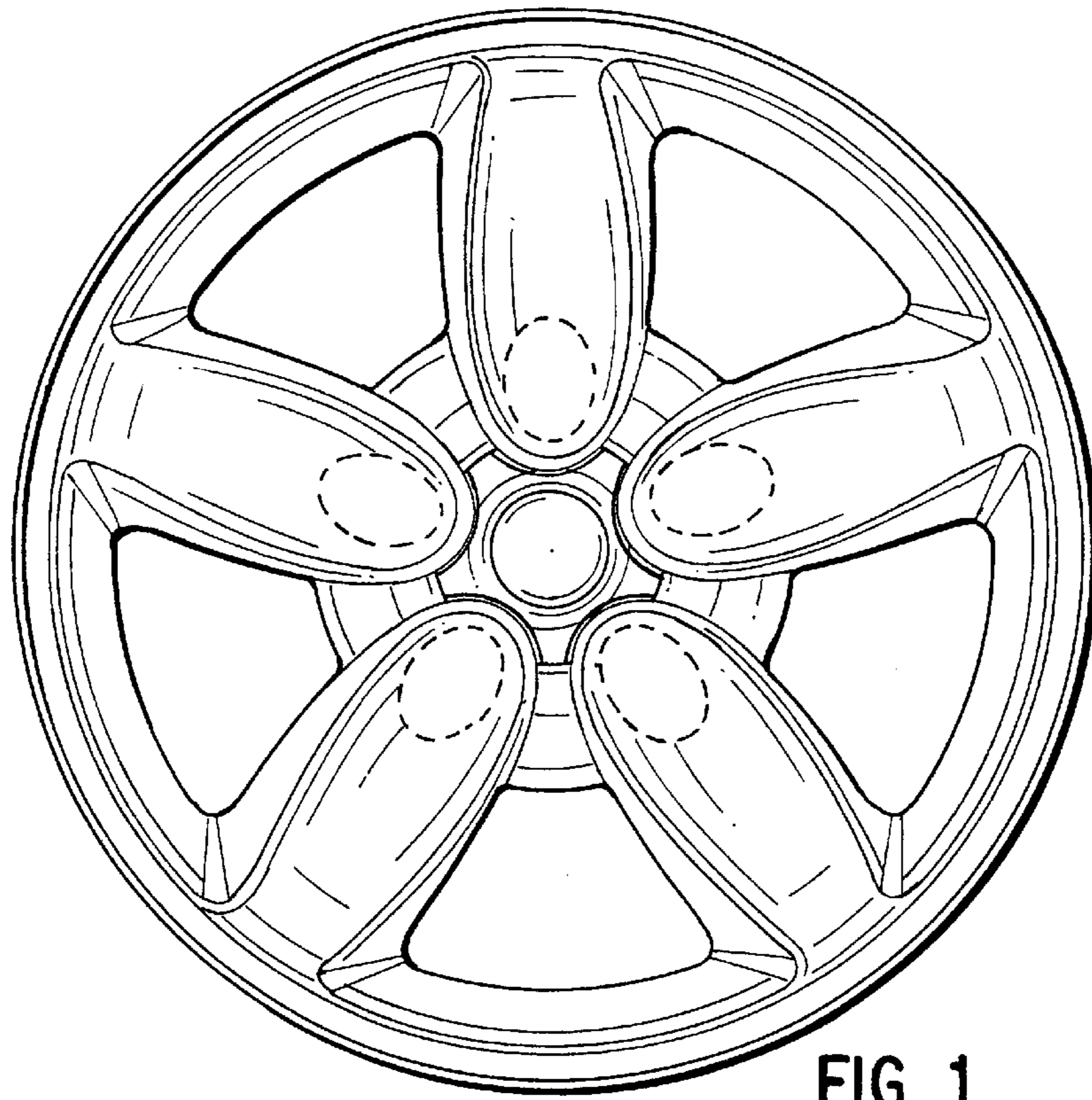


FIG. 1

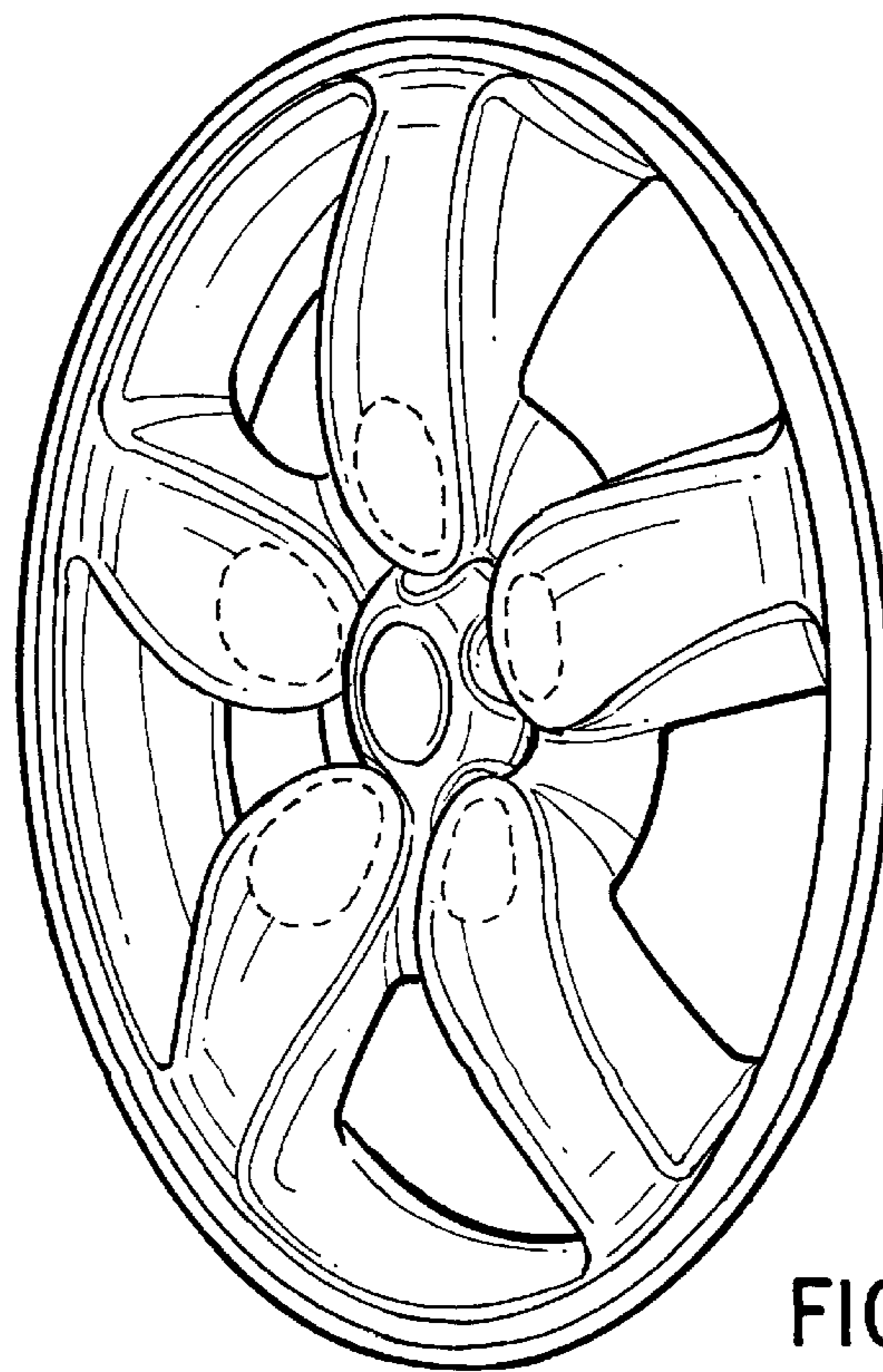


FIG. 2