



US00D453131S

(12) **United States Design Patent**
Gabath

(10) **Patent No.:** **US D453,131 S**

(45) **Date of Patent:** **** Jan. 29, 2002**

(54) **FRONT FACE OF A VEHICLE WHEEL**

(75) **Inventor:** **Peter Gabath, Starnberg (DE)**

(73) **Assignee:** **Bayerische Motoren Werke
Aktiengesellschaft, Munich (DE)**

(**) **Term:** **14 Years**

(21) **Appl. No.:** **29/097,526**

(22) **Filed:** **Dec. 9, 1998**

(30) **Foreign Application Priority Data**

Jun. 10, 1998 (DE) 98 05 818

(51) **LOC (7) Cl.** **12-16**

(52) **U.S. Cl.** **D12/209**

(58) **Field of Search** D12/204-213;
301/64.1, 65, 37.1

(56) **References Cited**

U.S. PATENT DOCUMENTS

- D335,859 S * 5/1993 Mattin D12/211
- D384,024 S * 9/1997 Roesianto D12/209
- D384,027 S * 9/1997 Roesianto D12/209
- D385,524 S * 10/1997 Nagashima D12/209

- D391,913 S * 3/1998 Chung D12/209
- D394,038 S * 5/1998 Braun D12/211
- D395,863 S * 7/1998 Sacco et al. D12/211
- D396,682 S * 8/1998 Sacco et al. D12/209

OTHER PUBLICATIONS

Road & Track, p. 128, See "Valbrem 941" Wheel, Mar. 1996.*

* cited by examiner

Primary Examiner—Stacia Cadmus

(74) *Attorney, Agent, or Firm*—Crowell & Moring LLP

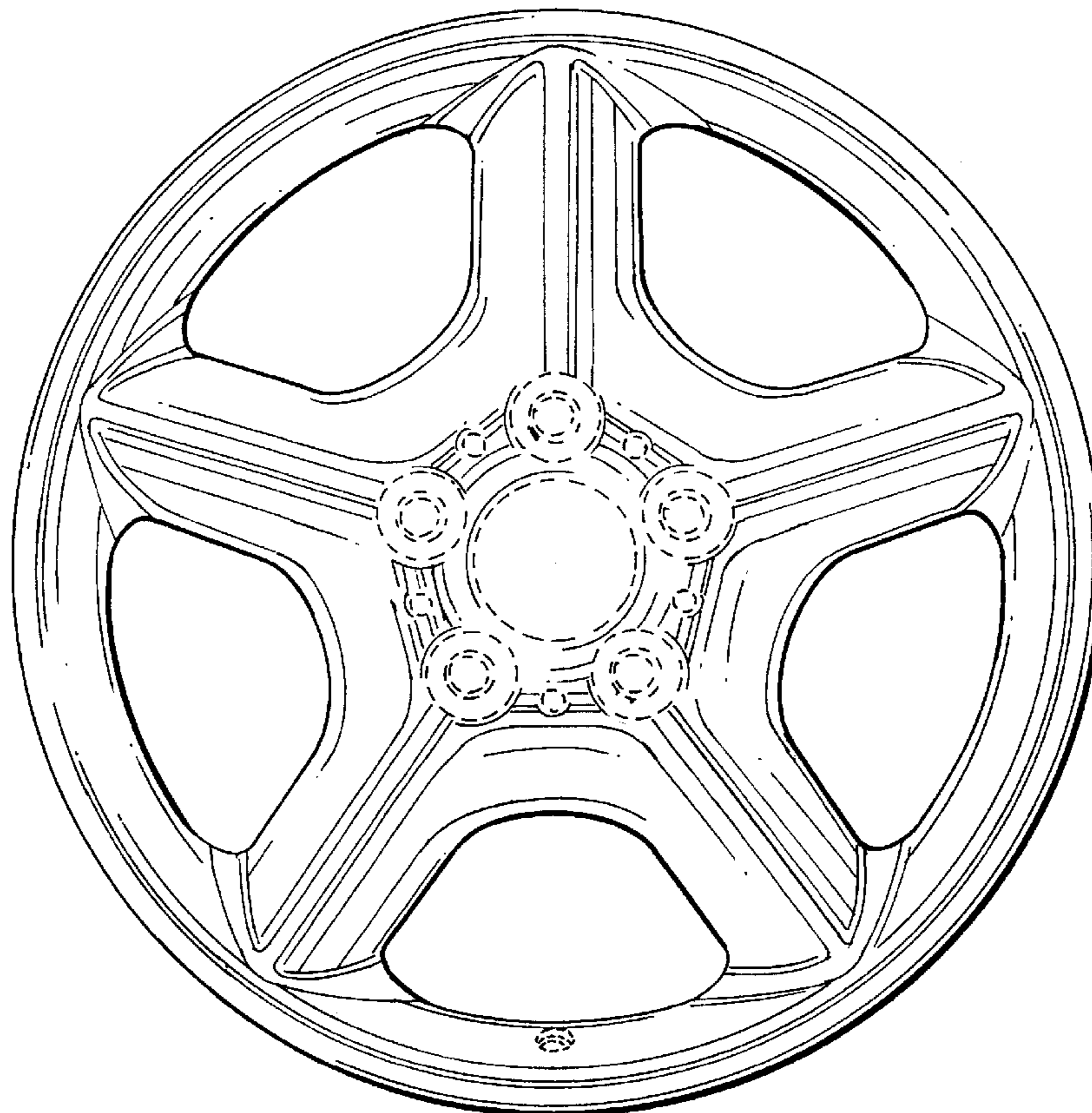
(57) **CLAIM**

The ornamental design for a front face of a vehicle wheel, as shown and described.

DESCRIPTION

FIG. 1 is a front view of a front face of a vehicle wheel according to my novel design; and, FIG. 2 is a perspective view from the front side of a front face of a vehicle wheel according to my novel design. The dash line included depicts environment and is not part of the claimed design.

1 Claim, 1 Drawing Sheet



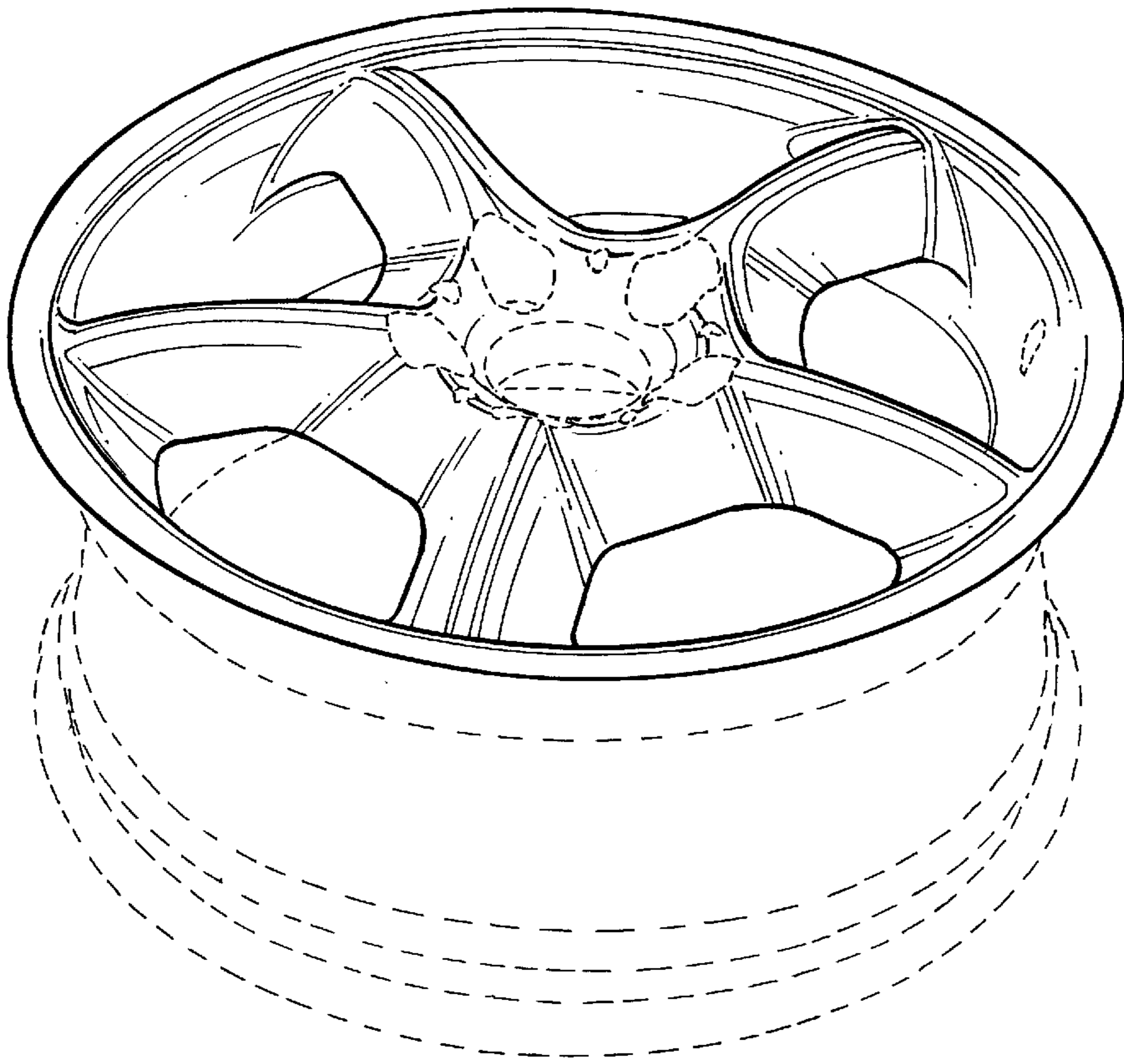


FIG. 2

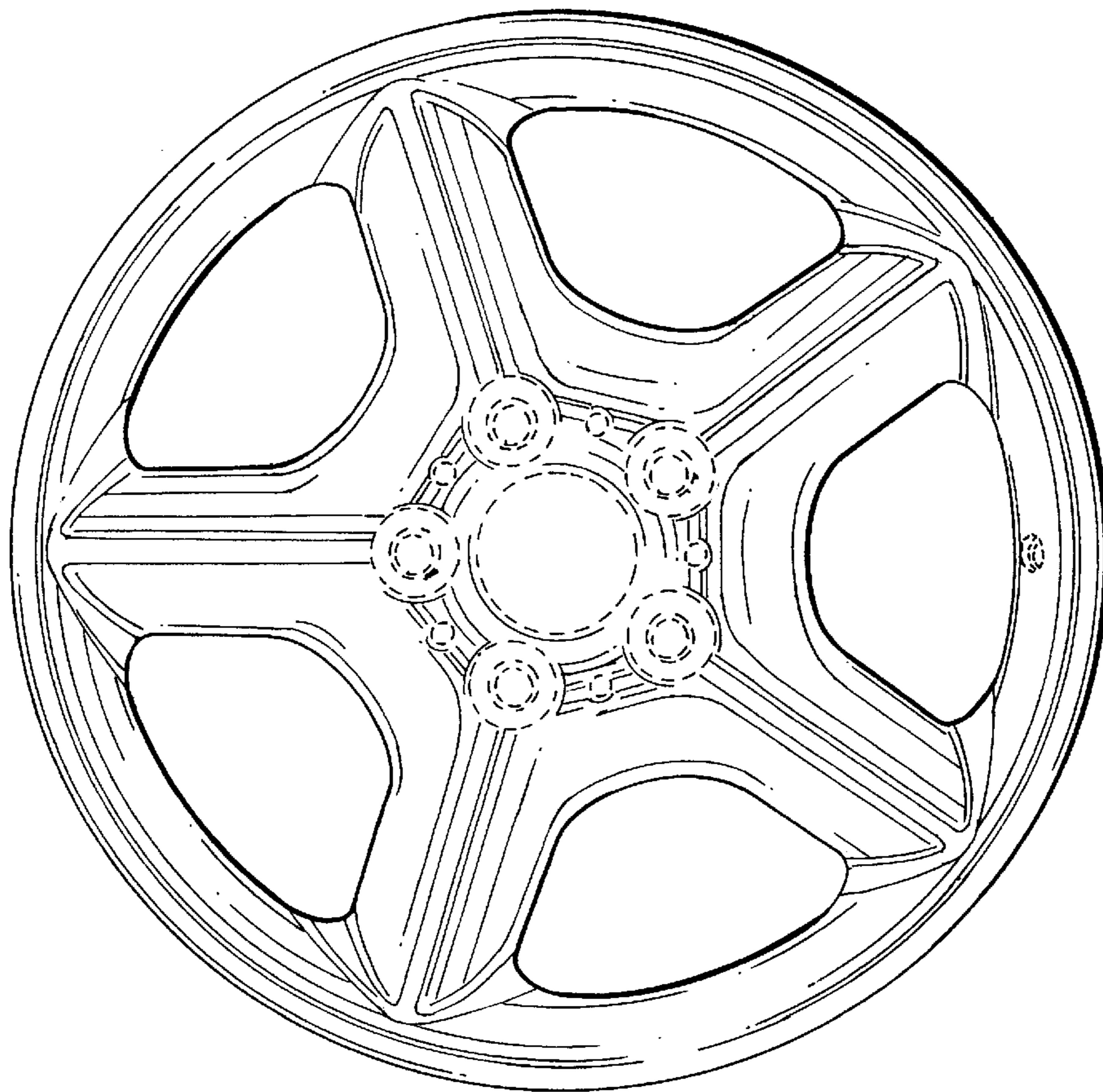


FIG. 1