



US00D453128S

(12) **United States Design Patent**
van den Heuvel

(10) **Patent No.:** **US D453,128 S**
(45) **Date of Patent:** **** Jan. 29, 2002**

(54) **WHEELED CHAIR**

(76) Inventor: **Adrianus H. M. J. M. van den Heuvel**, Laagduurswoude 20, NL-8423 VN Makkinga (NL)

(**) Term: **14 Years**

(21) Appl. No.: **29/117,008**

(22) Filed: **Jan. 13, 2000**

3,550,998 A	12/1970	Boudreau et al.
D241,529 S	* 9/1976	Blue D12/131
4,380,343 A	4/1983	Lovell et al.
4,385,769 A	5/1983	Molino
4,542,918 A	9/1985	Singleton
4,647,066 A	3/1987	Walton
5,020,816 A	6/1991	Mulholland
5,060,967 A	10/1991	Hulterstrum
5,354,079 A	10/1994	Hettenbach
5,542,960 A	8/1996	Kozicki
5,709,400 A	1/1998	Bonnier et al.

Related U.S. Application Data

(63) Continuation-in-part of application No. 09/182,246, filed on Oct. 29, 1998.

(30) **Foreign Application Priority Data**

Oct. 30, 1997 (BX) 73758-00

(51) **LOC (7) Cl.** **12-12**

(52) **U.S. Cl.** **D12/131; D12/128**

(58) **Field of Search** D34/12-27; 280/47.41, 280/47.38, 650, 250.1, 304.1; D12/128-133; 297/6

(56) **References Cited**

U.S. PATENT DOCUMENTS

1,872,216 A	8/1932	Appleby
2,276,792 A	3/1942	Peltier

* cited by examiner

Primary Examiner—Kay H. Chin

(74) *Attorney, Agent, or Firm*—Cohen & Grigsby, P.C.

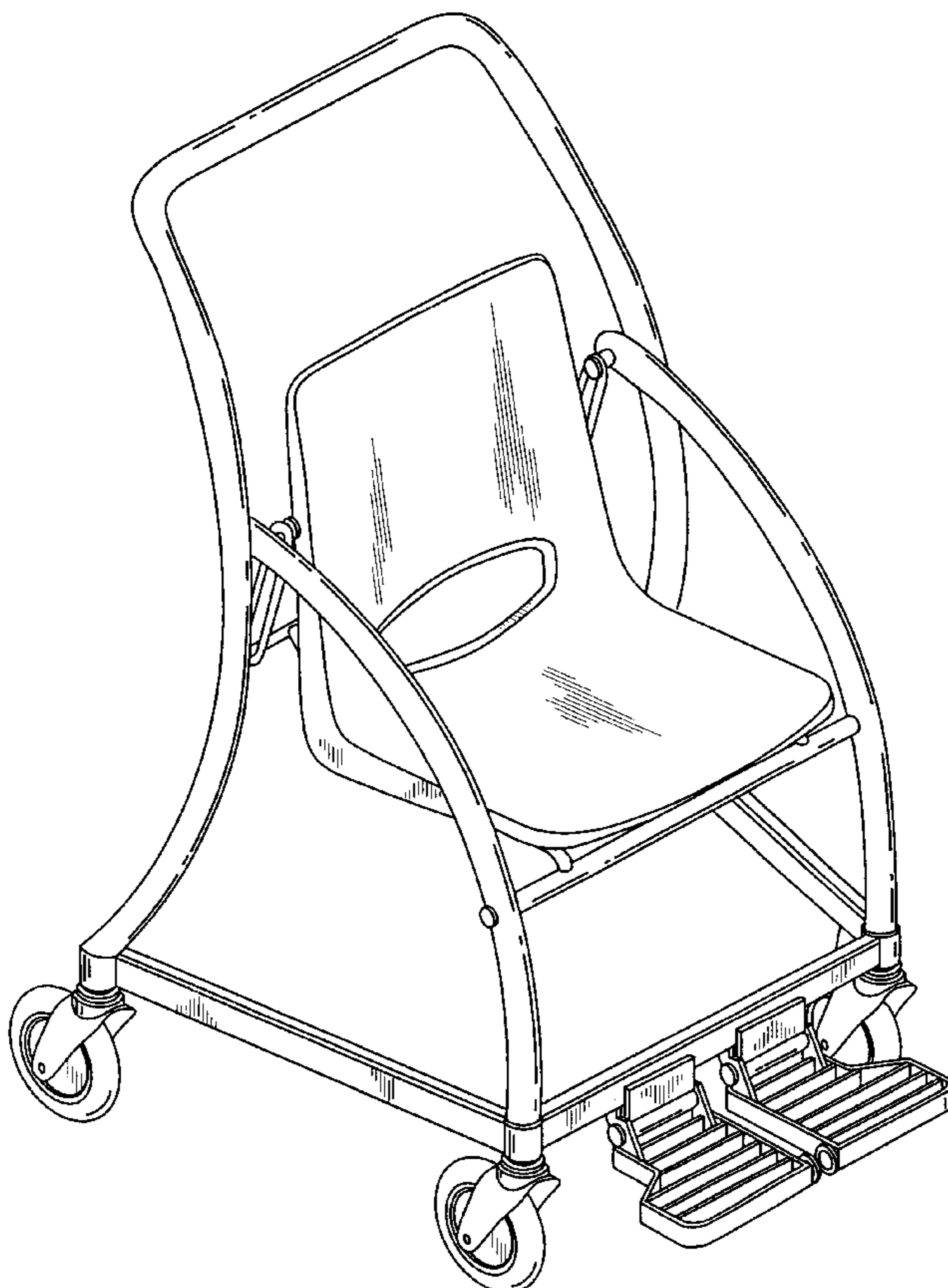
(57) **CLAIM**

The ornamental design for a wheeled chair, as shown and described.

DESCRIPTION

FIG. 1 is a rear elevational view of a wheeled chair showing my new design;
FIG. 2 is a top plan view thereof;
FIG. 3 is a side elevational view thereof;
FIG. 4 is a front perspective view thereof; and,
FIG. 5 is a front elevational view thereof.

1 Claim, 5 Drawing Sheets



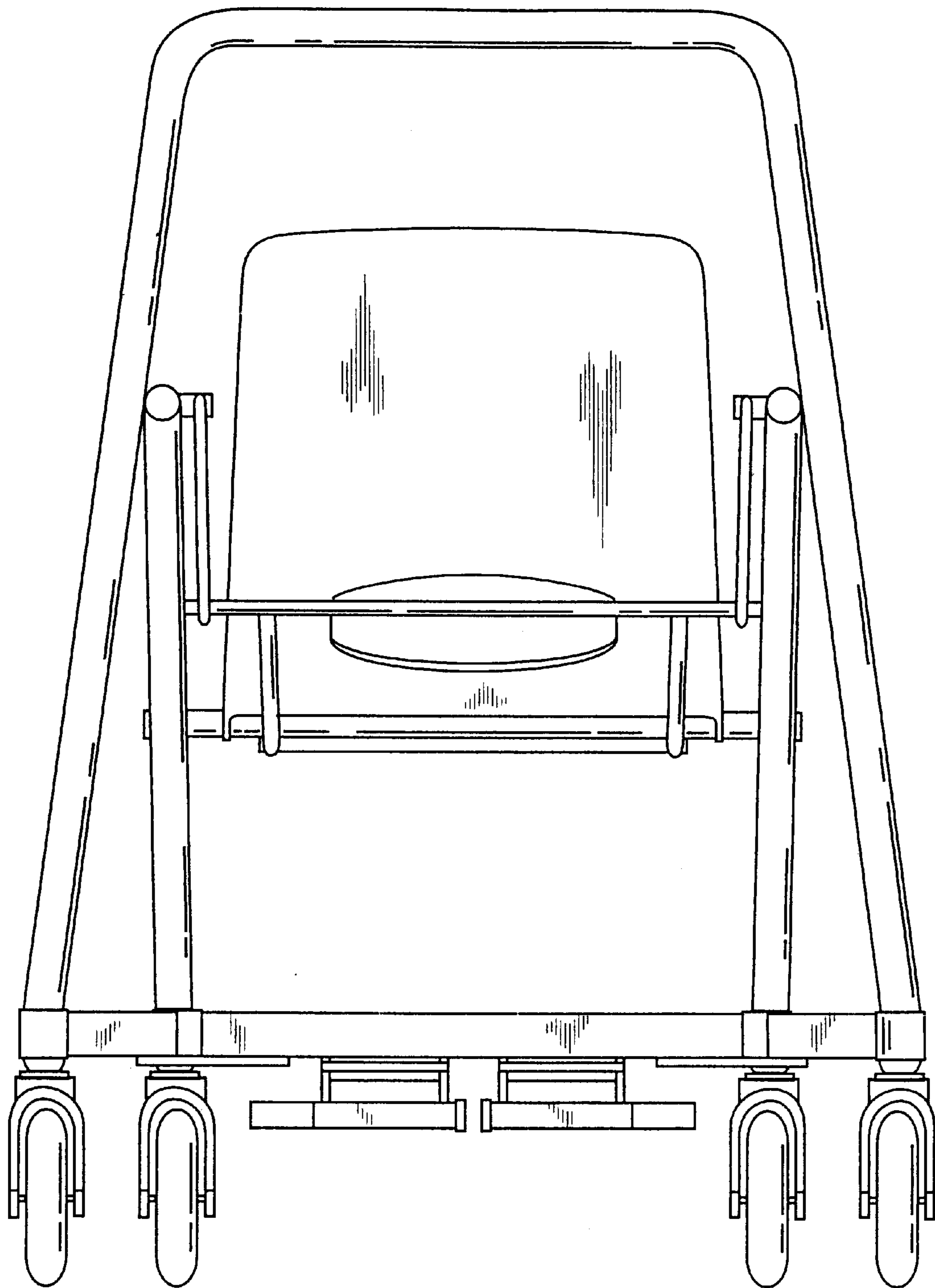


FIG. 1

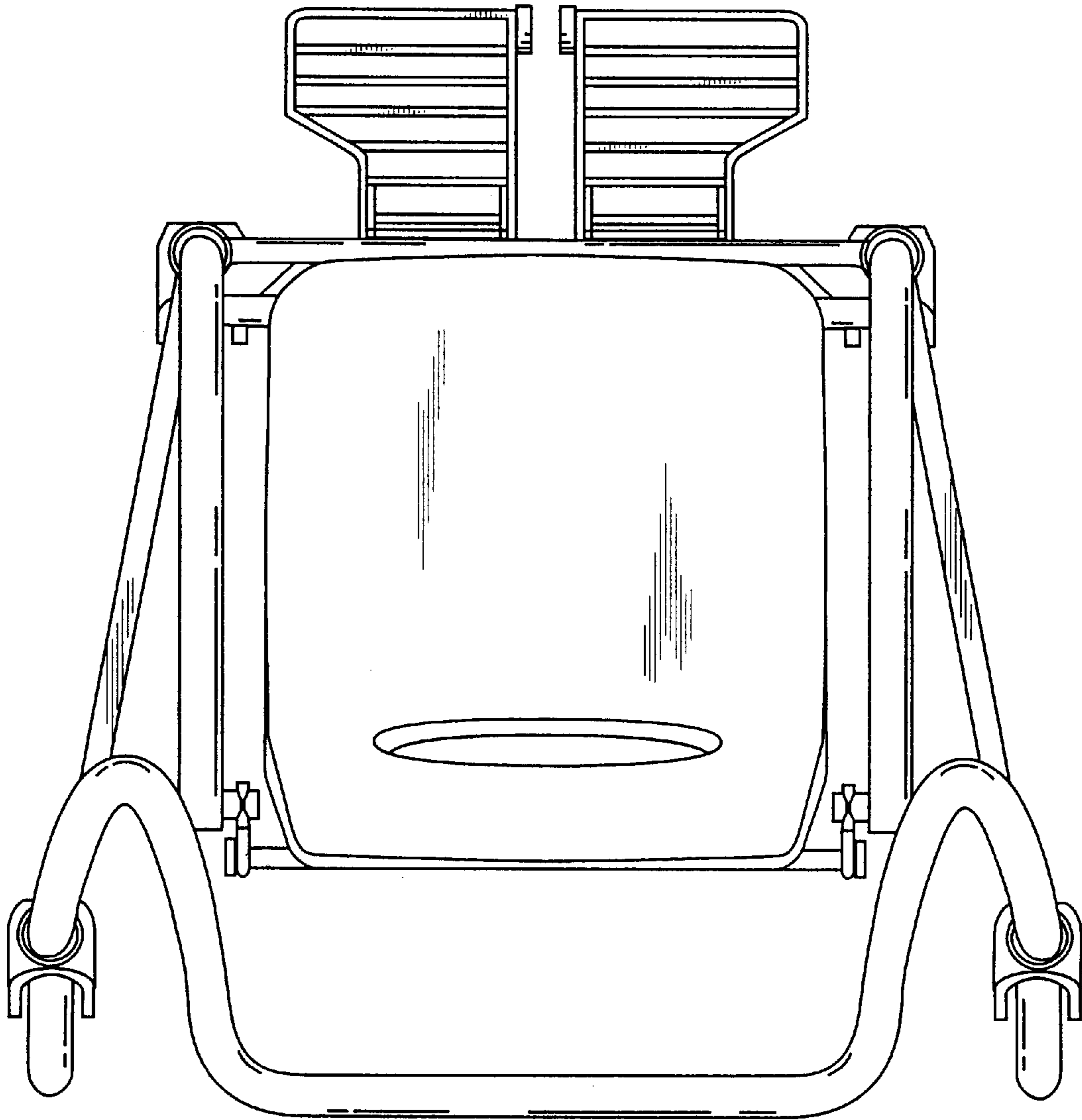


FIG. 2

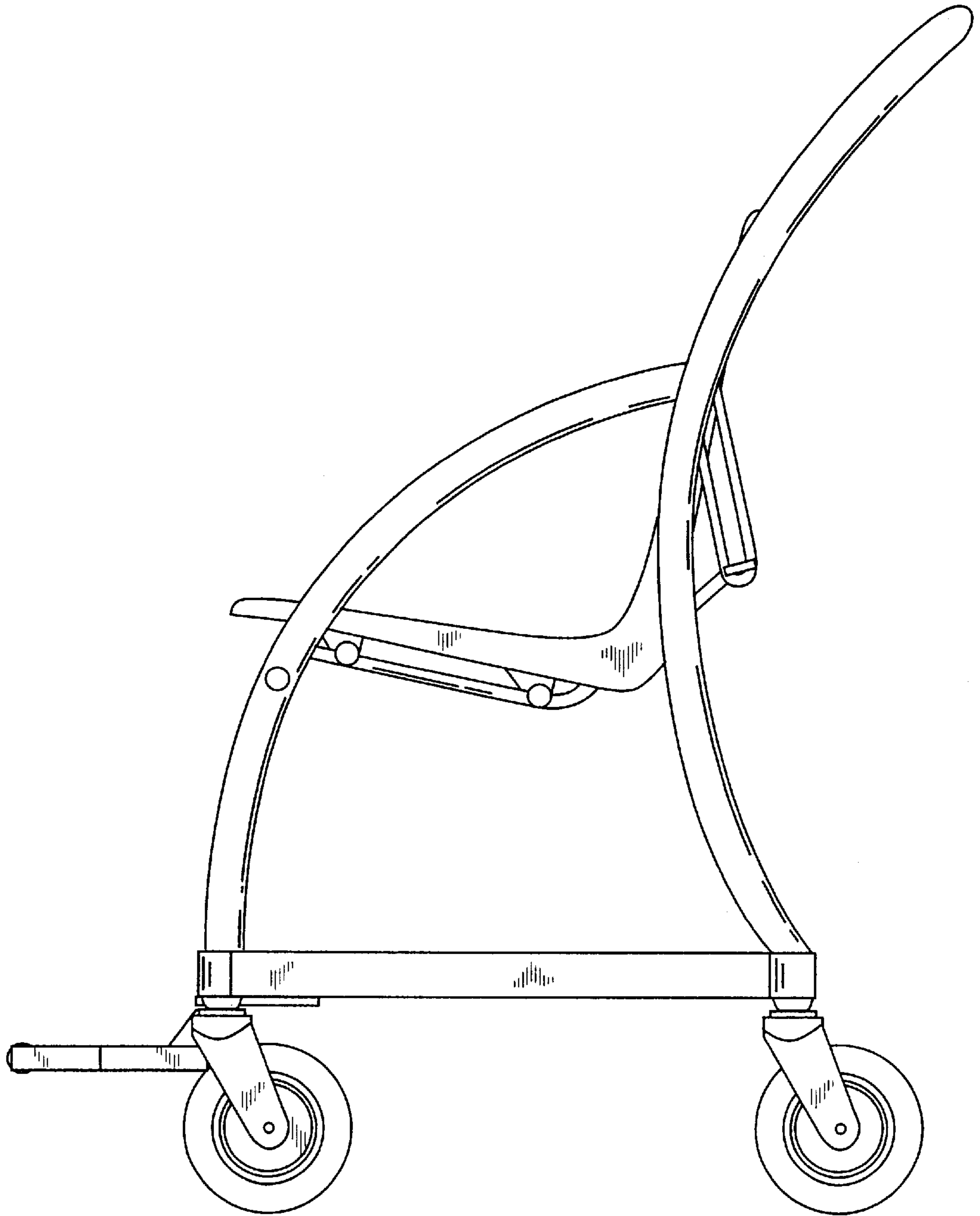


FIG. 3

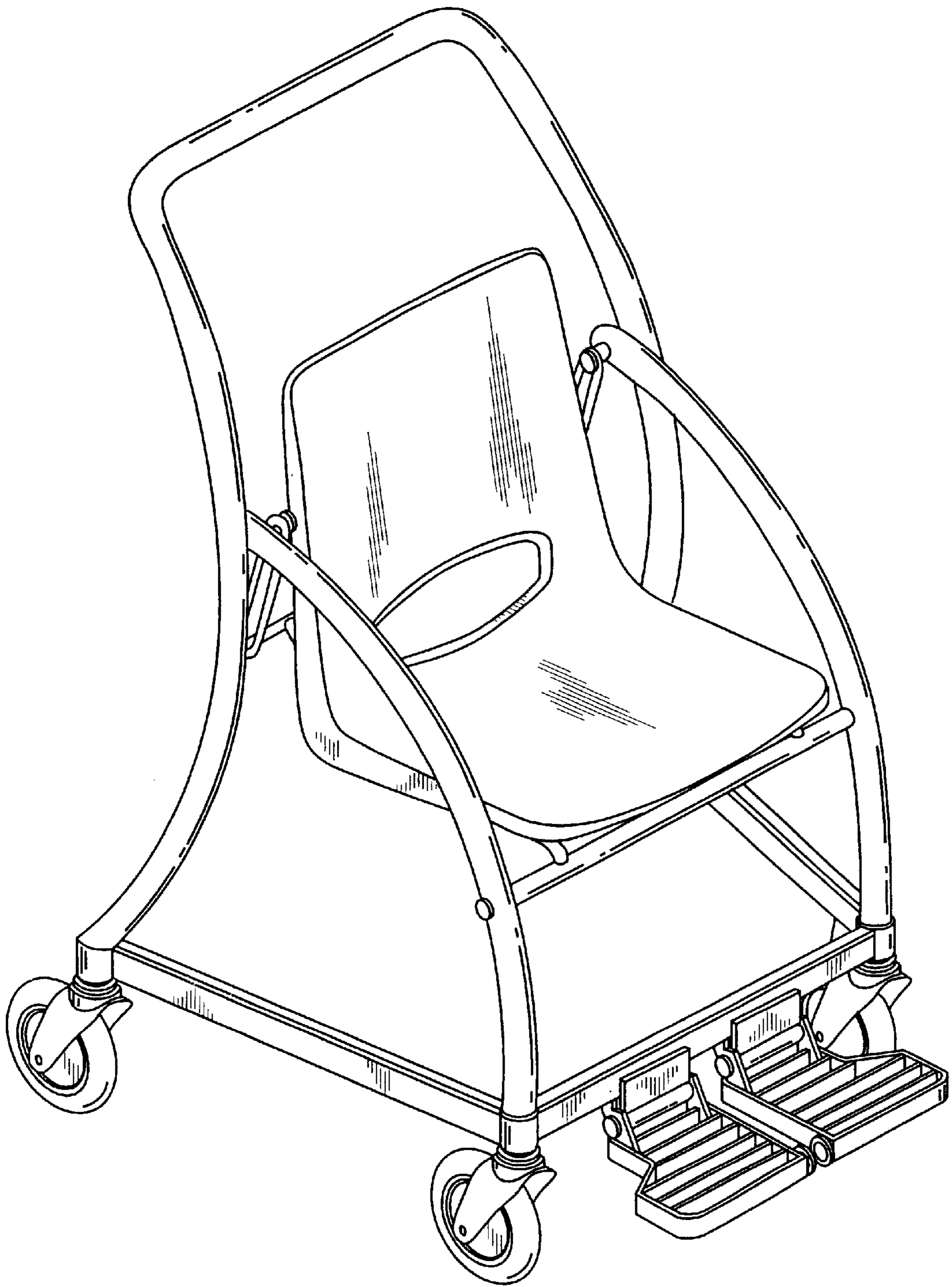


FIG. 4

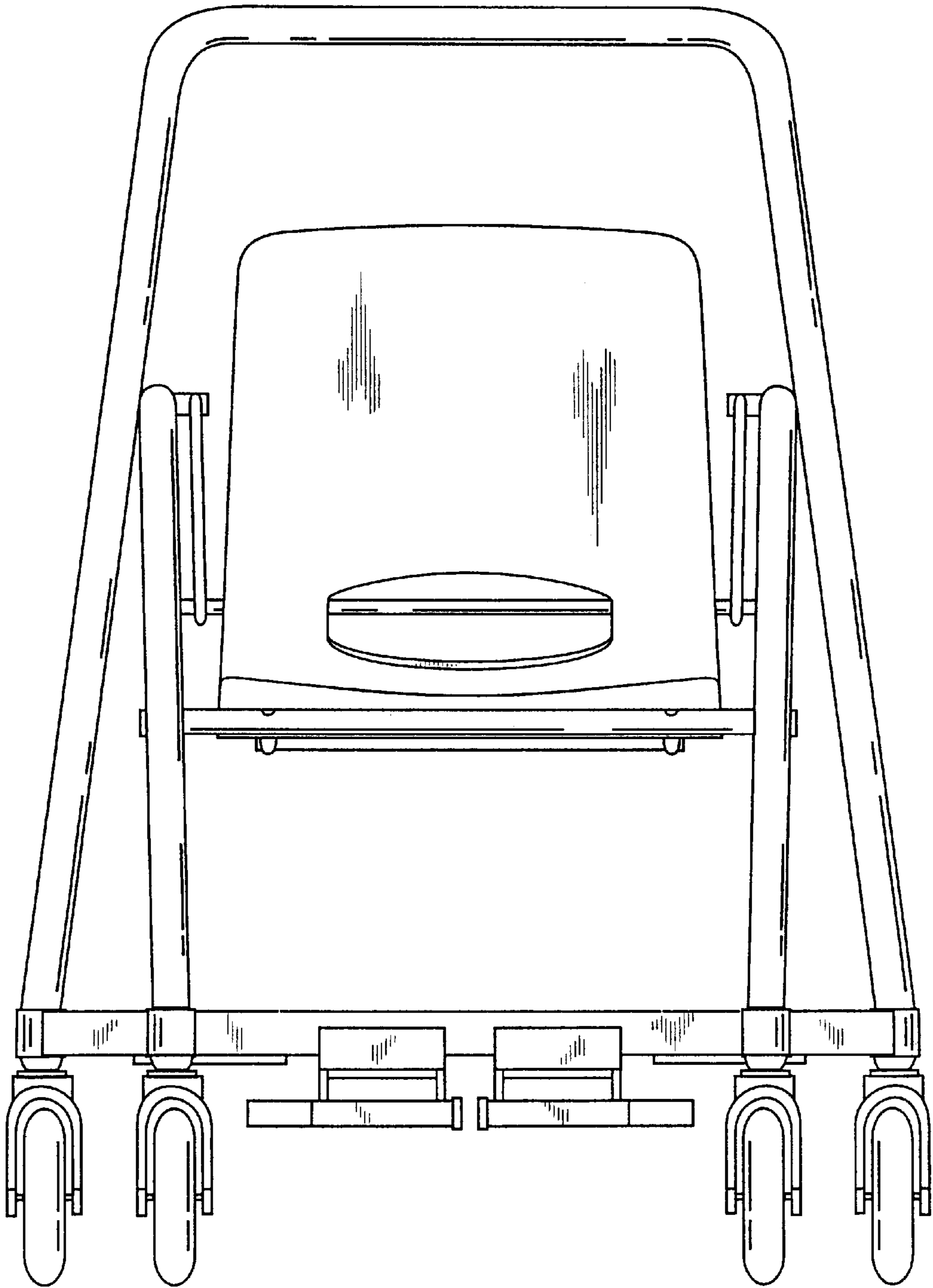


FIG. 5