



US00D453125S

(12) **United States Design Patent**
Citton

(10) **Patent No.:** **US D453,125 S**

(45) **Date of Patent:** **** Jan. 29, 2002**

(54) **FASTENING BUCKLE**

(75) **Inventor:** **Rubem Antonio Citton**, Caxias do Sul
- RS (BR)

(73) **Assignee:** **Eberle S/A.**, Caxias do Sul-RS (BR)

(**) **Term:** **14 Years**

(21) **Appl. No.:** **29/126,823**

(22) **Filed:** **Jul. 26, 2000**

Related U.S. Application Data

(63) Continuation of application No. 09/315,937, filed on May 21, 1999, now abandoned.

(51) **LOC (7) Cl.** **02-07**

(52) **U.S. Cl.** **D11/216**

(58) **Field of Search** D2/627-740; 2/322,
2/338-340; D11/200-206, 215-220; 24/163-455;
283/74-75

(56) **References Cited**

U.S. PATENT DOCUMENTS

529,364	A	*	11/1894	Clanudy et al.	D11/201
D45,540	S	*	3/1914	Rumble, Jr.	D11/200
1,278,340	A	*	9/1918	Hayden et al.	D11/200
1,508,963	A	*	9/1924	Dorf	D11/201
2,110,684	A	*	3/1938	Schuhmann	D11/200
D190,487	S	*	6/1961	Wood	D11/200
3,145,445	A	*	8/1964	Brown	D11/216

D209,657	S	*	12/1967	Barcus et al.	D11/216
3,466,668	A	*	9/1969	Ochiai	2/322
D302,140	S	*	7/1989	Johnston	D11/216
D327,455	S	*	6/1992	Blair	D11/216
D332,585	S	*	1/1993	Oson	D11/200
D333,640	S	*	3/1993	Keller	D11/200

* cited by examiner

Primary Examiner—Louis S. Zarfes

Assistant Examiner—Barbara Wyatt Crawford

(74) *Attorney, Agent, or Firm*—Smith, Gambrell & Russell, LLP

(57) **CLAIM**

The ornamental design for a fastening buckle, as shown and described.

DESCRIPTION

FIG. 1 is a perspective view of a fastening buckle showing my new design;

FIG. 2 is a front view of the fastening buckle of the present invention;

FIG. 3 is a rear view of the fastening buckle of the present invention;

FIG. 4 is a side elevation view of the fastening buckle of the present invention;

FIG. 5 is a top view of the fastening buckle of the present invention; and,

FIG. 6 is a bottom view of the fastening buckle of the present invention.

1 Claim, 2 Drawing Sheets

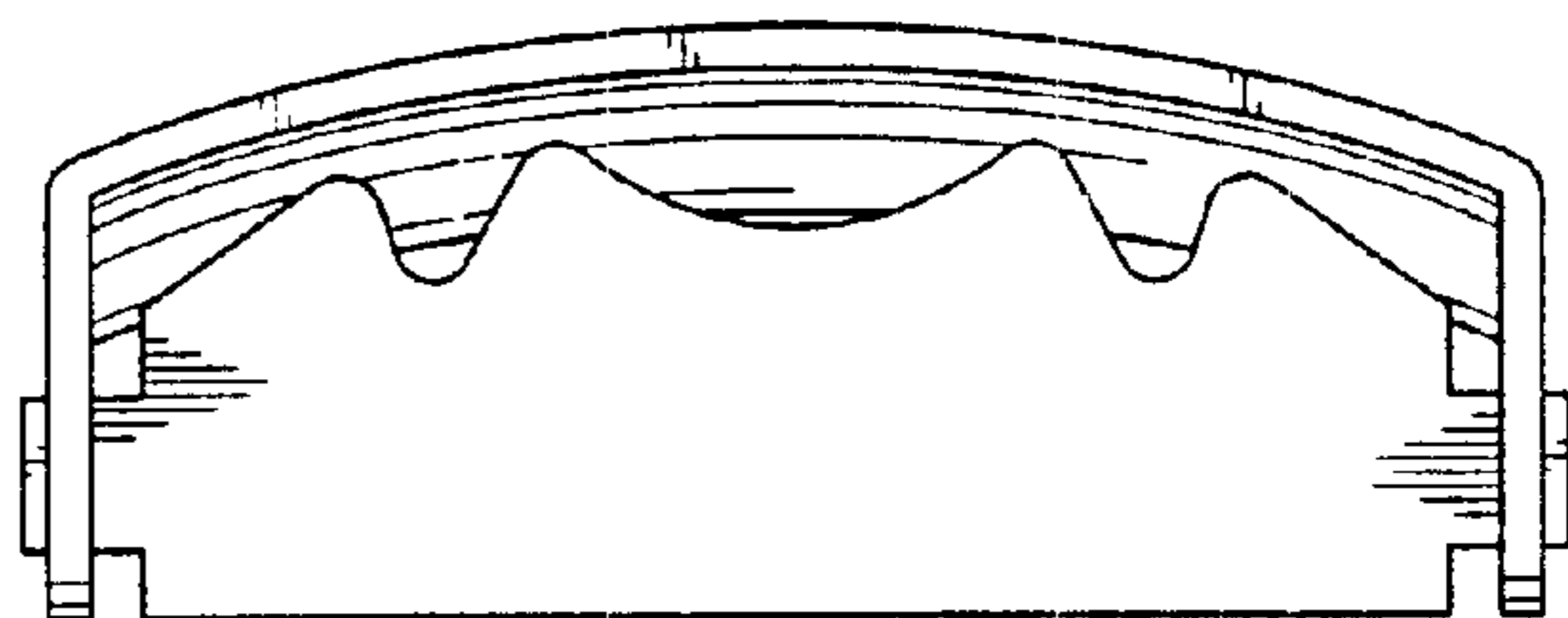
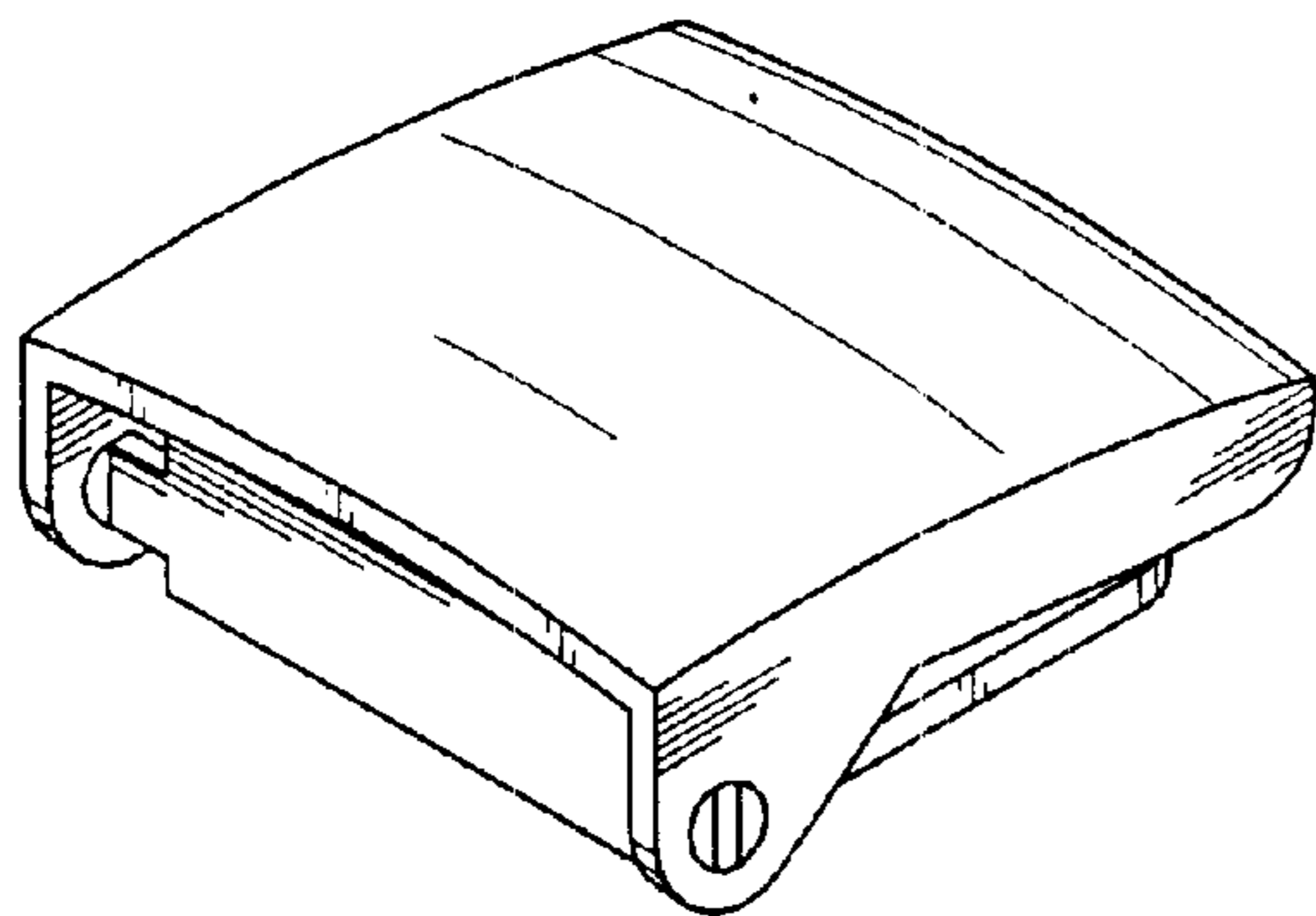


FIG. 1

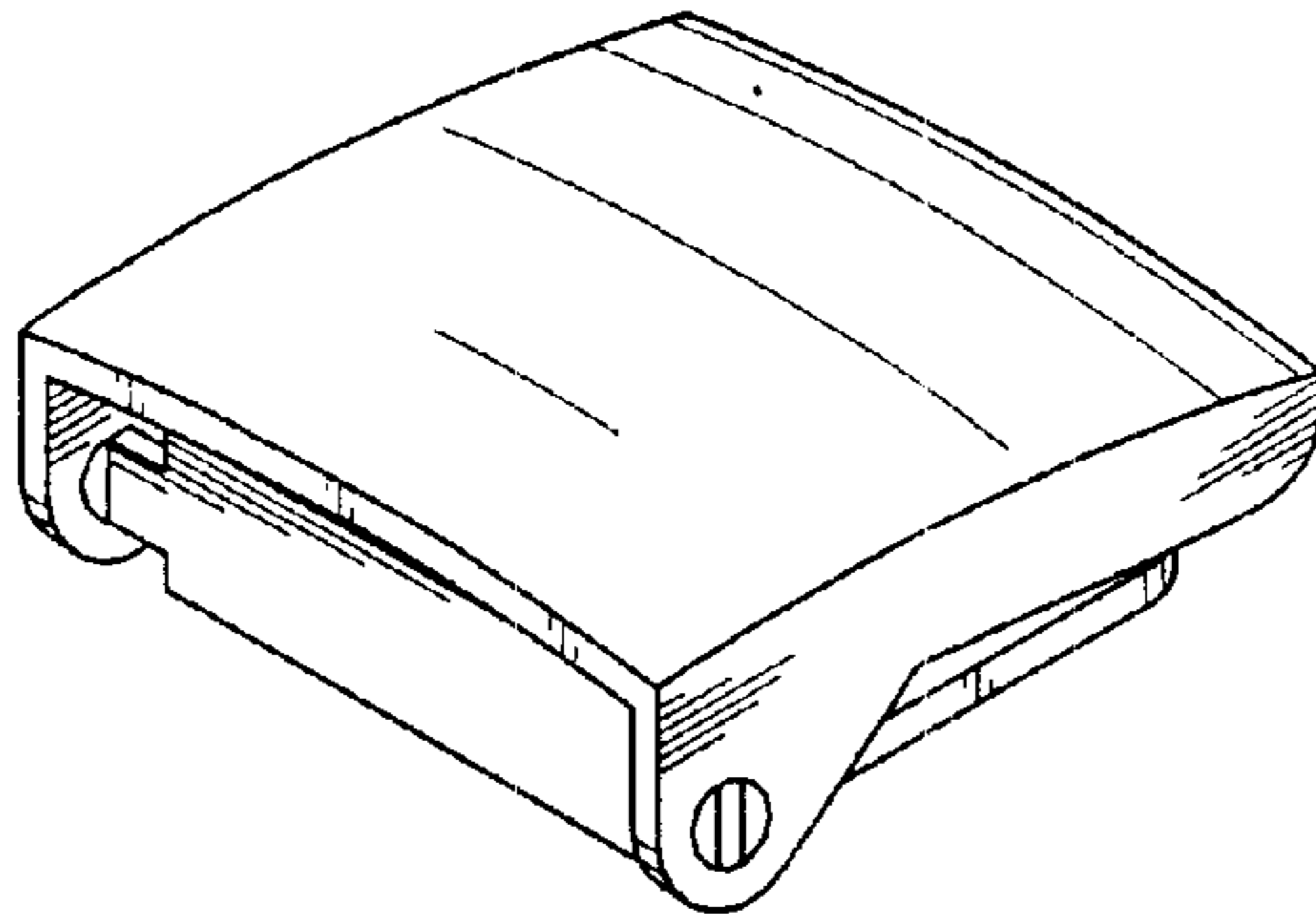


FIG. 2

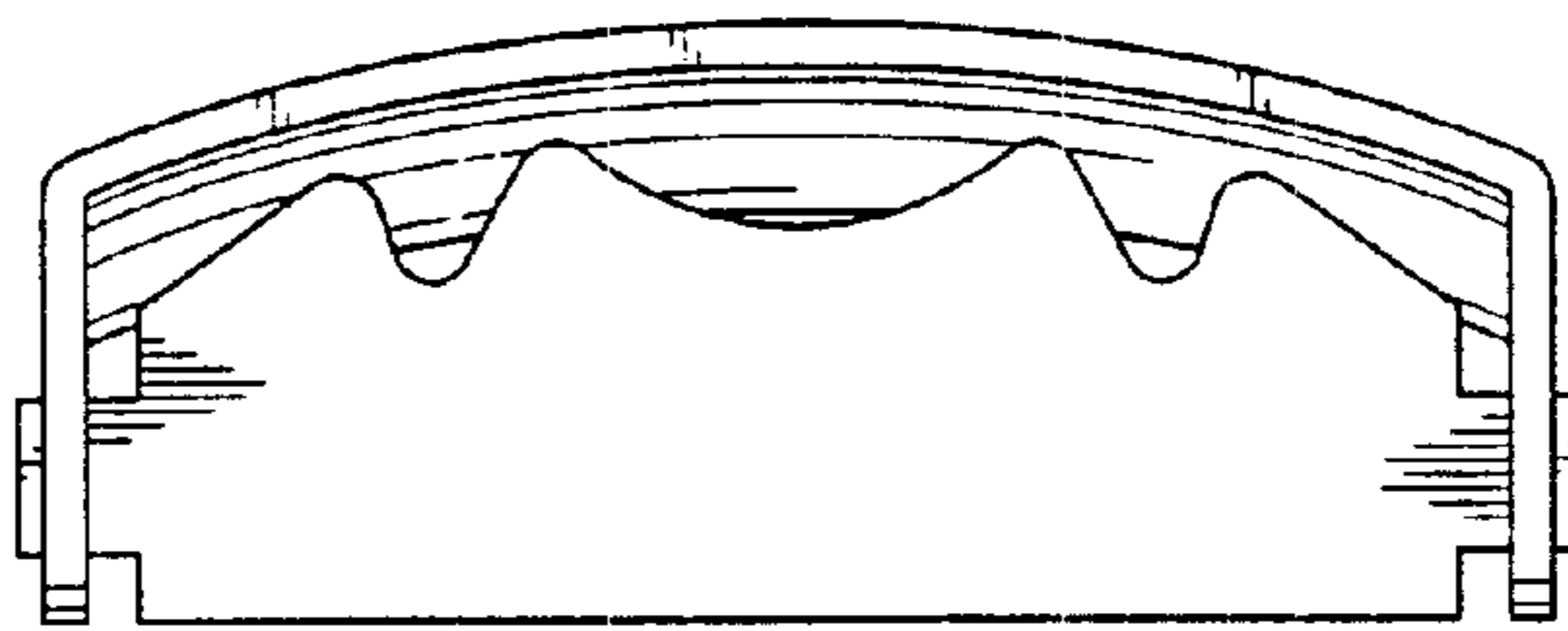


FIG. 3

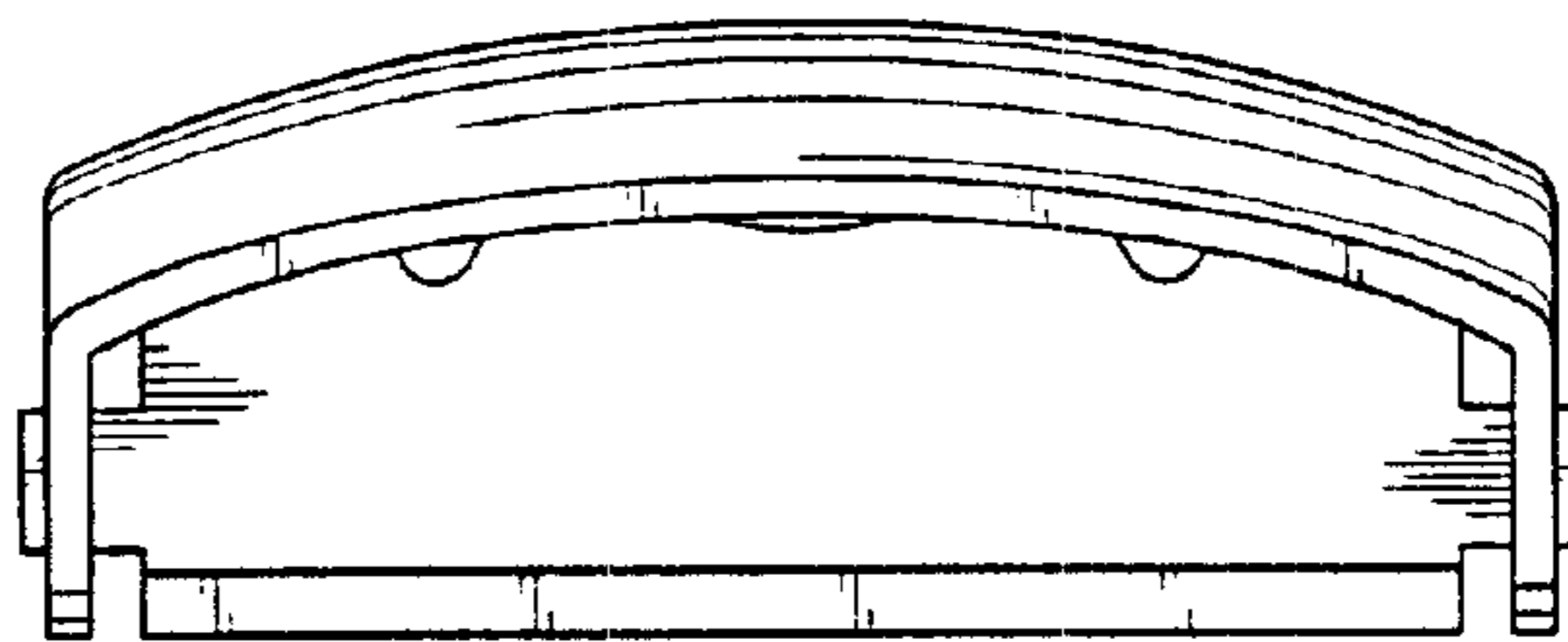


FIG. 4

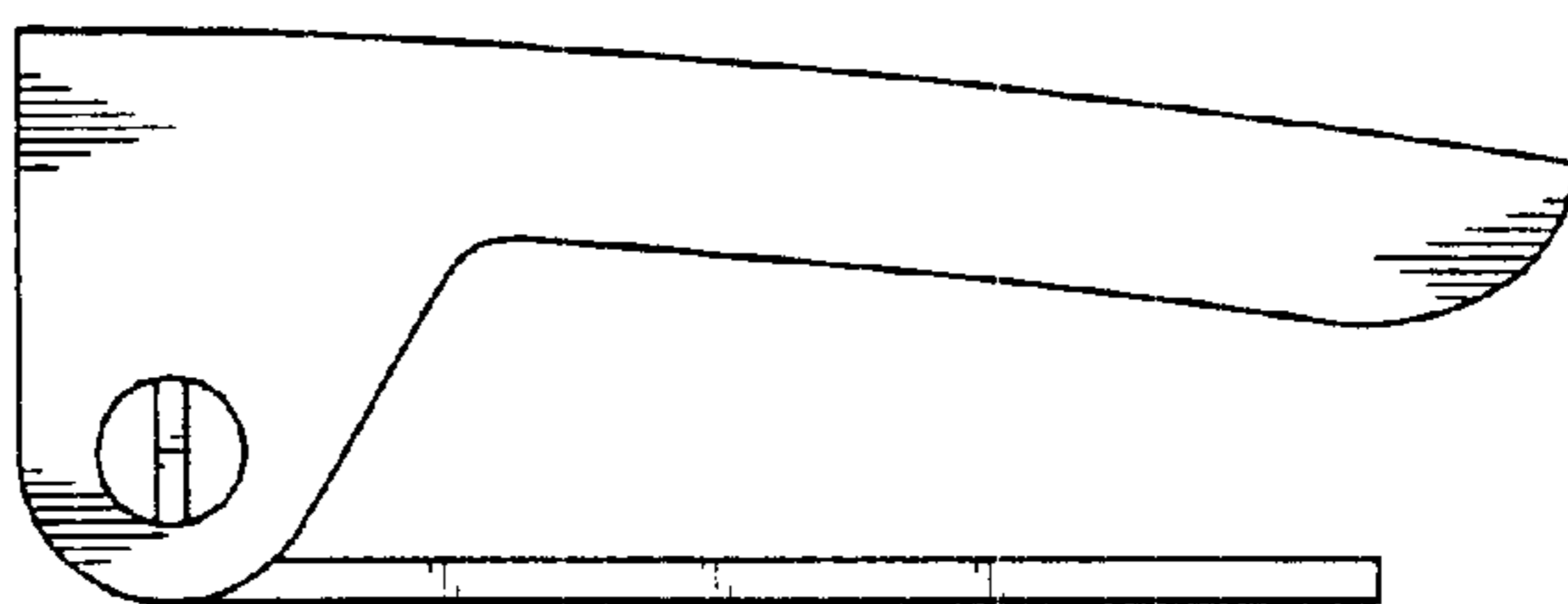


FIG. 5

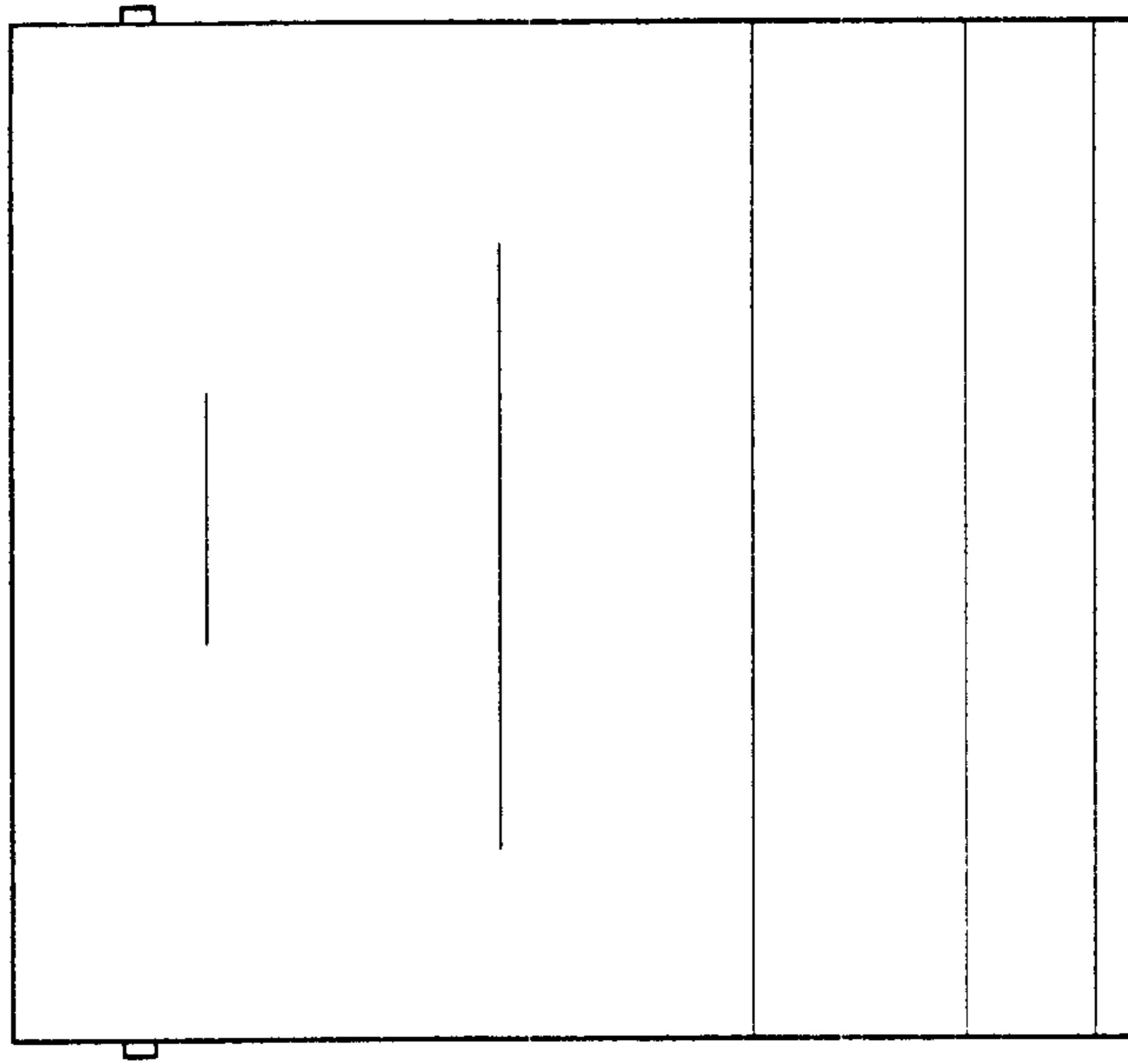


FIG. 6

