



US00D453114S

(12) **United States Design Patent**  
**Reingold**

(10) **Patent No.:** **US D453,114 S**

(45) **Date of Patent:** **\*\* Jan. 29, 2002**

(54) **CLOCK**

D403,608 S \* 1/1999 Waldman ..... D10/128

(76) Inventor: **Phillip Reingold**, 8625 53<sup>rd</sup> Ave. West,  
Mukilteo, WA (US) 98275

(\*\*) Term: **14 Years**

(21) Appl. No.: **29/145,044**

(22) Filed: **Jul. 13, 2001**

(51) **LOC (7) Cl.** ..... **10-01**

(52) **U.S. Cl.** ..... **D10/21; D10/1**

(58) **Field of Search** ..... D10/1, 2, 3-15,  
D10/16-18, 19-40, 122-132; 368/10, 276,  
277, 285, 316, 317, 232

(56) **References Cited**

**U.S. PATENT DOCUMENTS**

D208,647 S	*	9/1967	Klein	.....	D10/21
3,793,824 A	*	2/1974	Simon-Vermot et al.	....	368/232
D257,233 S	*	10/1980	Turner	.....	D10/6
D302,800 S	*	8/1989	Robert	.....	D10/126
D303,220 S	*	9/1989	Nomura	.....	D10/21
D336,436 S	*	6/1993	Kawashima et al.	.....	D10/21

**OTHER PUBLICATIONS**

Schoner Wohnen—Oct. 1988—p. 50—clock at bottom.\*

Housewares—Pre 1998p. 0?—clock at left.\*

\* cited by examiner

*Primary Examiner*—Martie K. Holtje

(74) *Attorney, Agent, or Firm*—Seed IP Law Group PLLC

(57) **CLAIM**

The ornamental design for a clock, as shown and described.

**DESCRIPTION**

FIG. 1 is a front perspective view of a clock showing my new design.

FIG. 2 is a front elevation view thereof.

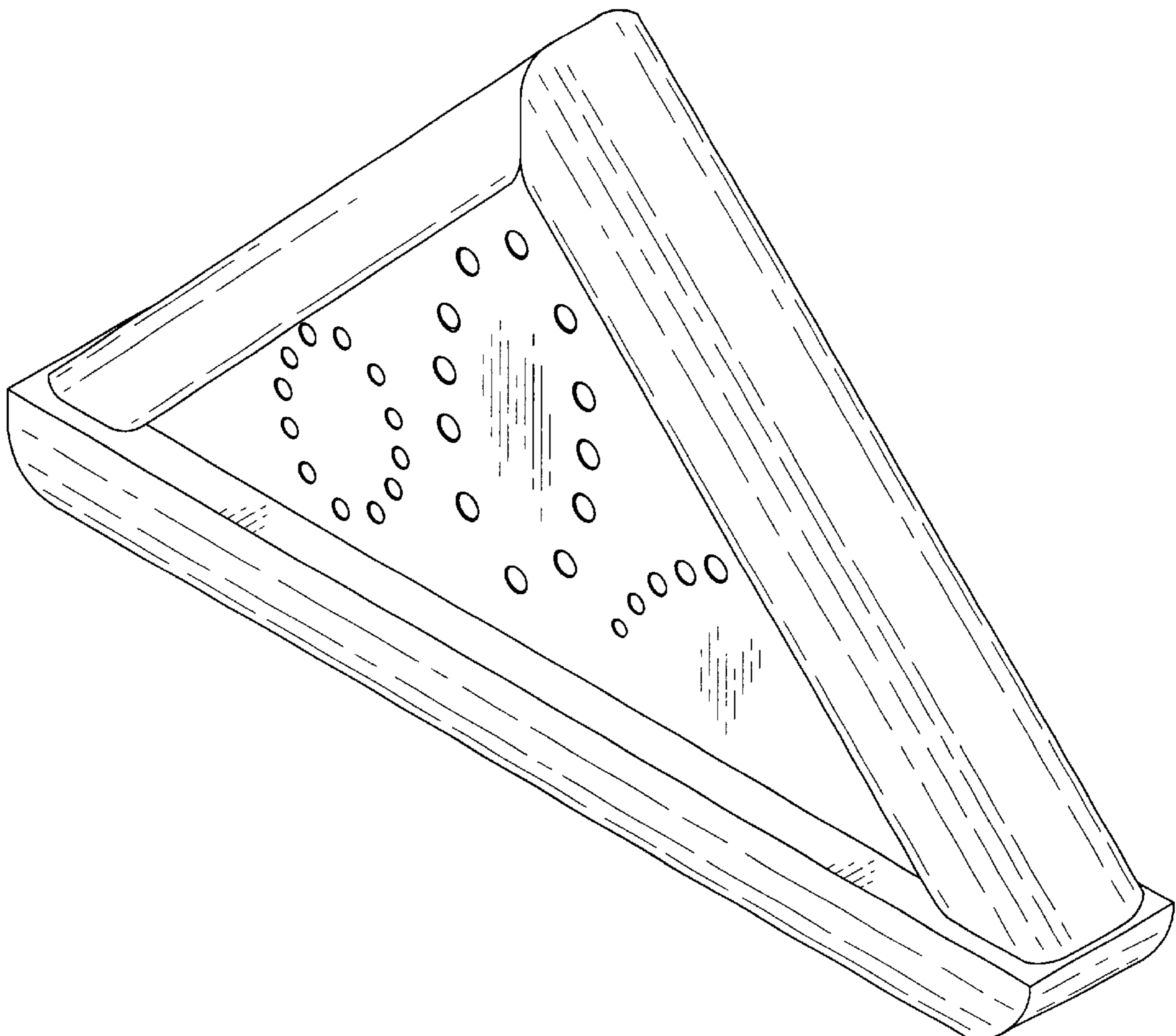
FIG. 3 is a rear elevation view thereof.

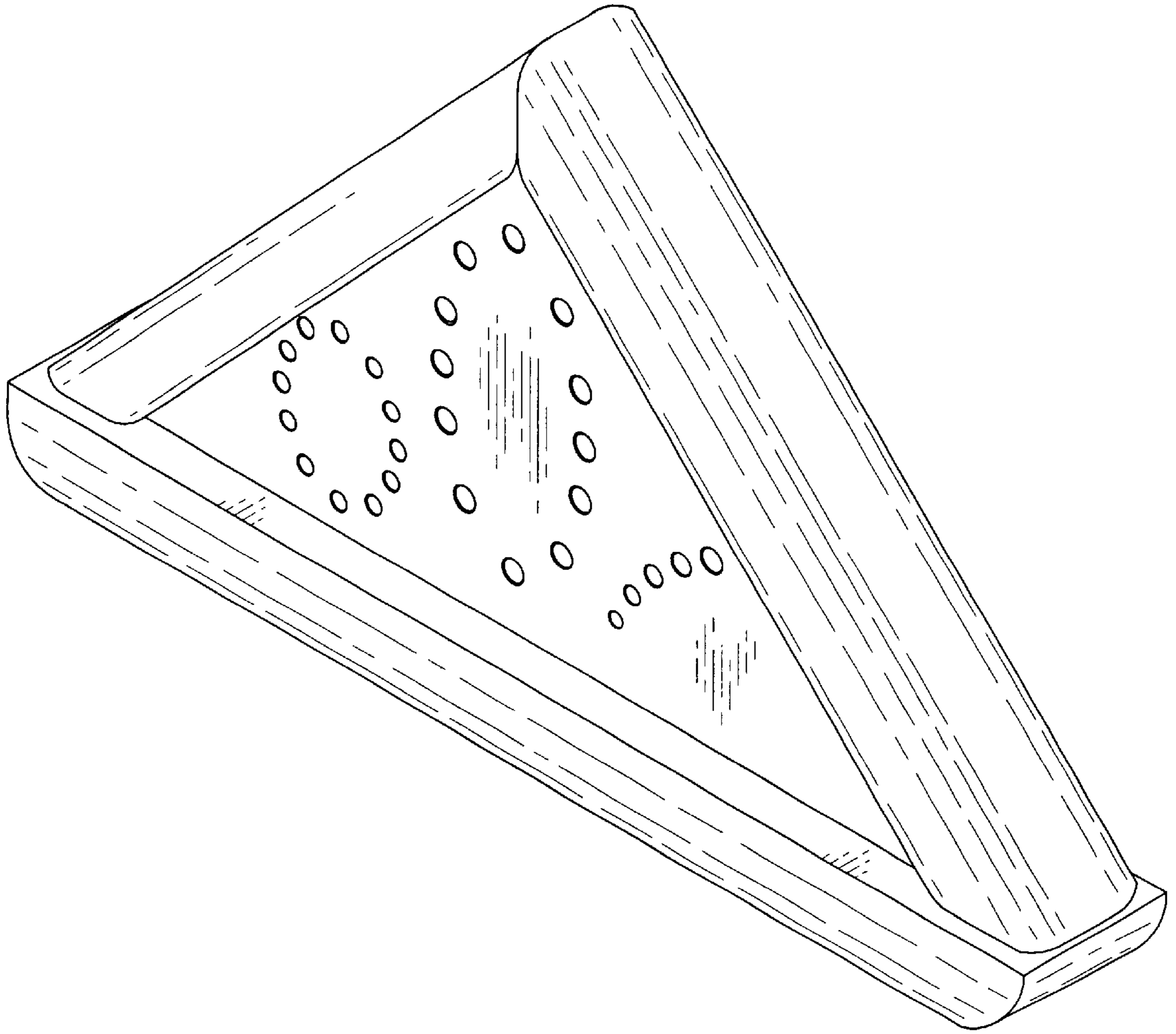
FIG. 4 is a top plan view thereof.

FIG. 5 is a bottom plan view thereof; and,

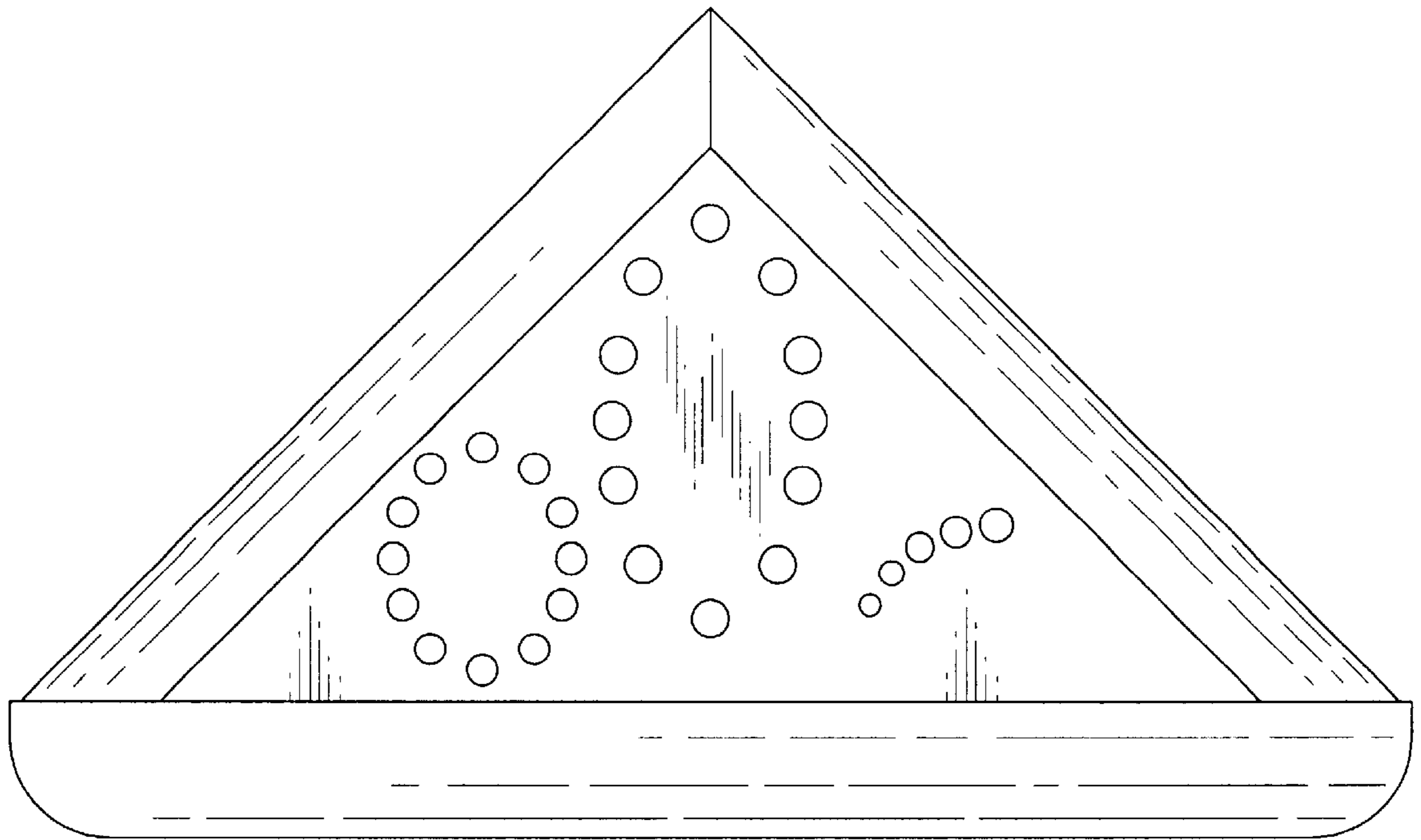
FIG. 6 is a right side elevational view thereof, the left side being a mirror image of the right side.

**1 Claim, 5 Drawing Sheets**

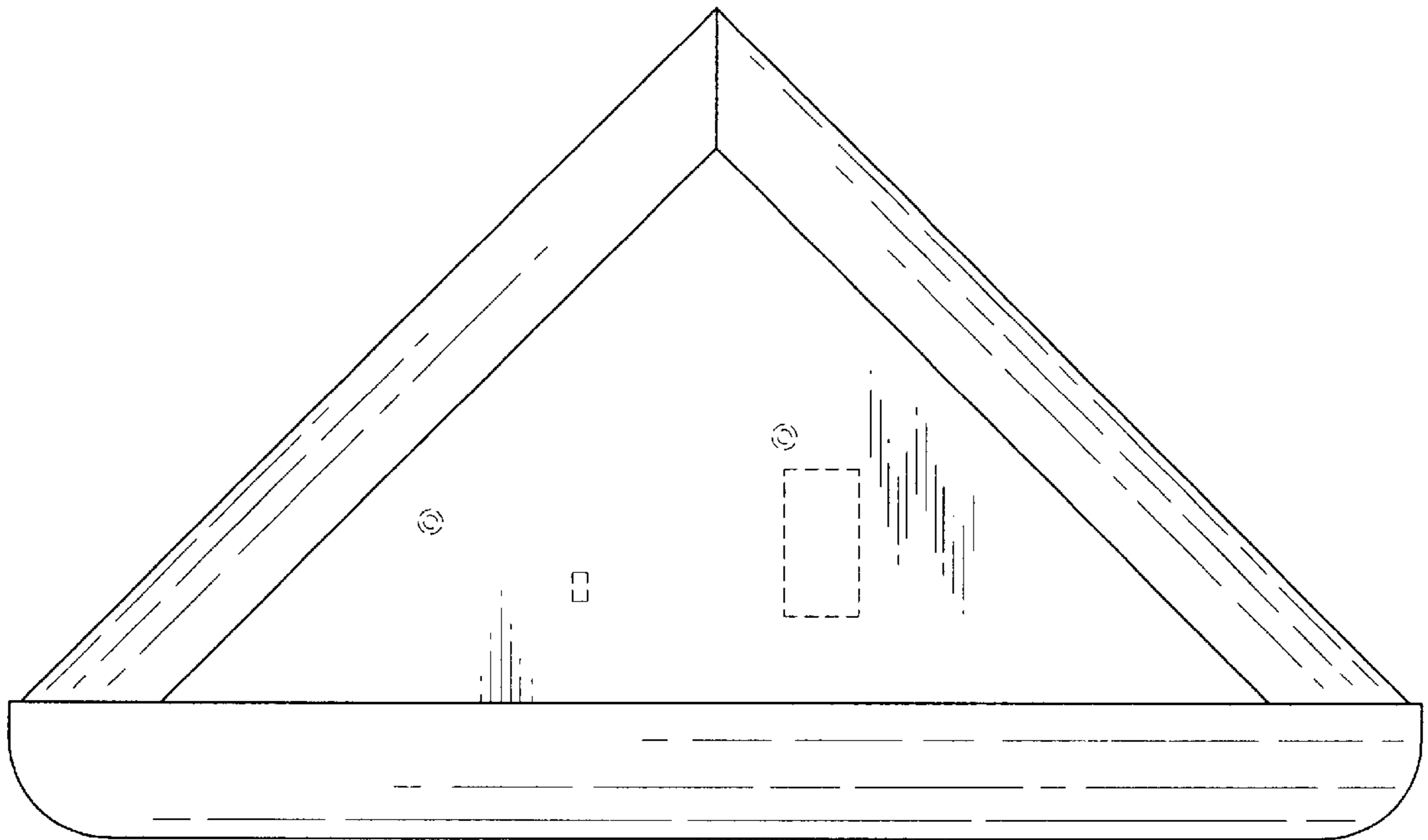




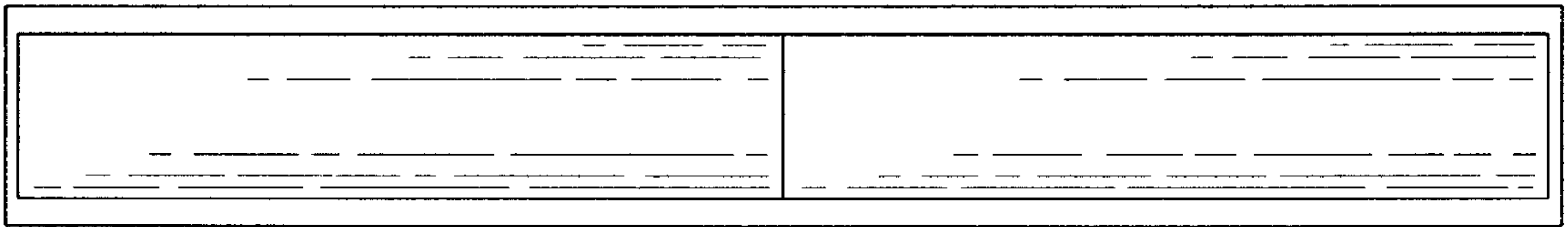
*Fig. 1*



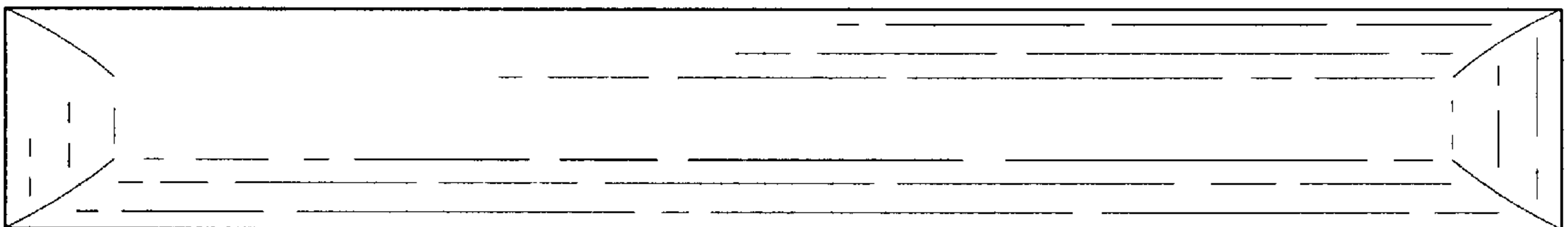
*Fig. 2*



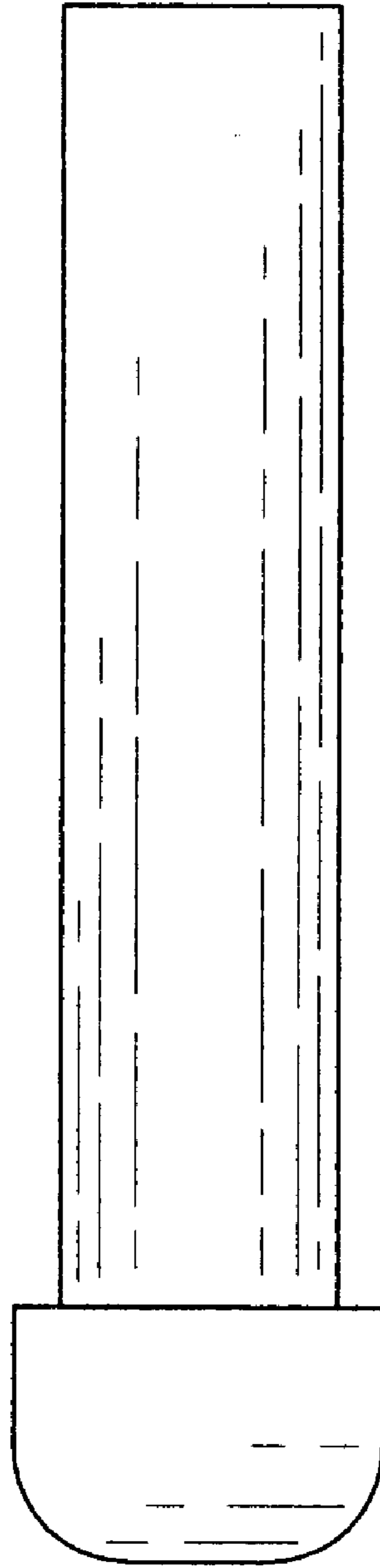
*Fig. 3*



*Fig. 4*



*Fig. 5*



*Fig. 6*