



US00D453110S

(12) **United States Design Patent**
Bulsink

(10) **Patent No.:** **US D453,110 S**

(45) **Date of Patent:** **** Jan. 29, 2002**

(54) **BOTTLE WITH CAP**

(75) Inventor: **D. J. Bulsink**, Leiden (NL)

(73) Assignee: **Kortman Intradal B.V.** (NL)

(**) Term: **14 Years**

(21) Appl. No.: **29/105,203**

(22) Filed: **May 20, 1999**

(30) **Foreign Application Priority Data**

Mar. 2, 1999 (XH) DM/047 245

(51) **LOC (7) Cl.** **09-01**

(52) **U.S. Cl.** **D9/522**

(58) **Field of Search** D9/442, 454, 500,
D9/503, 507, 508, 522, 544, 549, 558,
562, 569, 572, 574, 575, 520, 521, 545;
215/382-384, 400

(56) **References Cited**

U.S. PATENT DOCUMENTS

D53,765 S	*	9/1919	Bruns	D9/508
D54,463 S	*	2/1920	Scott	D9/508
D86,724 S	*	4/1932	Joseph	D9/544
D89,632 S	*	4/1933	Fabrice	D9/522
D93,063 S	*	8/1934	Westlake	D9/338
D101,741 S	*	10/1936	Klein	D9/338
D118,381 S	*	1/1940	McIntosh	D9/572
D136,219 S	*	8/1943	Breeden	D9/337
D182,235 S	*	3/1958	Jaffe	D9/454
D221,834 S	*	9/1971	Schwartz	D9/520

D316,034 S	*	4/1991	DeGaetano	D9/338
D339,285 S	*	9/1993	Burke	D9/338
D355,605 S	*	2/1995	Kudo et al.	D9/522
D386,974 S	*	12/1997	Wefler	D9/569

* cited by examiner

Primary Examiner—Ted Shooman

Assistant Examiner—Carol Rademaker

(74) *Attorney, Agent, or Firm*—Charles Y. Lackey;
Kilpatrick Stockton LLP

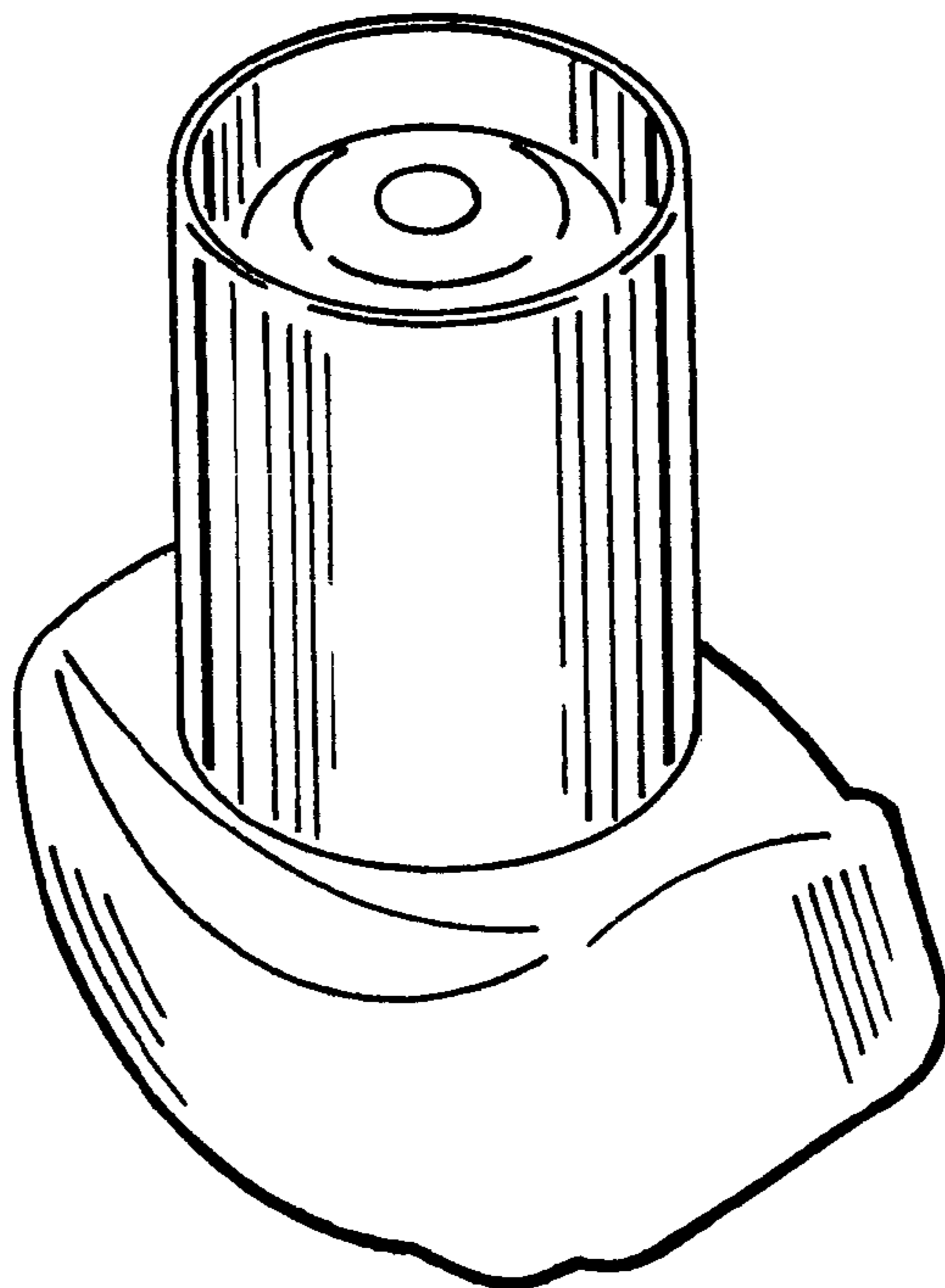
(57) **CLAIM**

The ornamental design for a bottle with cap, as shown and described.

DESCRIPTION

FIG. 1 is a perspective view of the bottle with cap comprising the present invention;
 FIG. 2 is a top plan view of the bottle with cap of FIG. 1, on a reduced scale;
 FIG. 3 is a side elevational view of the bottle with cap of FIG. 1, on a reduced scale;
 FIG. 4 is a front elevational view of the bottle with cap of FIG. 1, on a reduced scale;
 FIG. 5 is a side elevational view, opposite the side shown in FIG. 3, of the bottle with cap of FIG. 1, on a reduced scale;
 FIG. 6 is a rear elevational view of the bottle with cap of FIG. 1, on a reduced scale; and,
 FIG. 7 is a bottom plan view of the bottle with cap of FIG. 1, on a reduced scale.

1 Claim, 1 Drawing Sheet



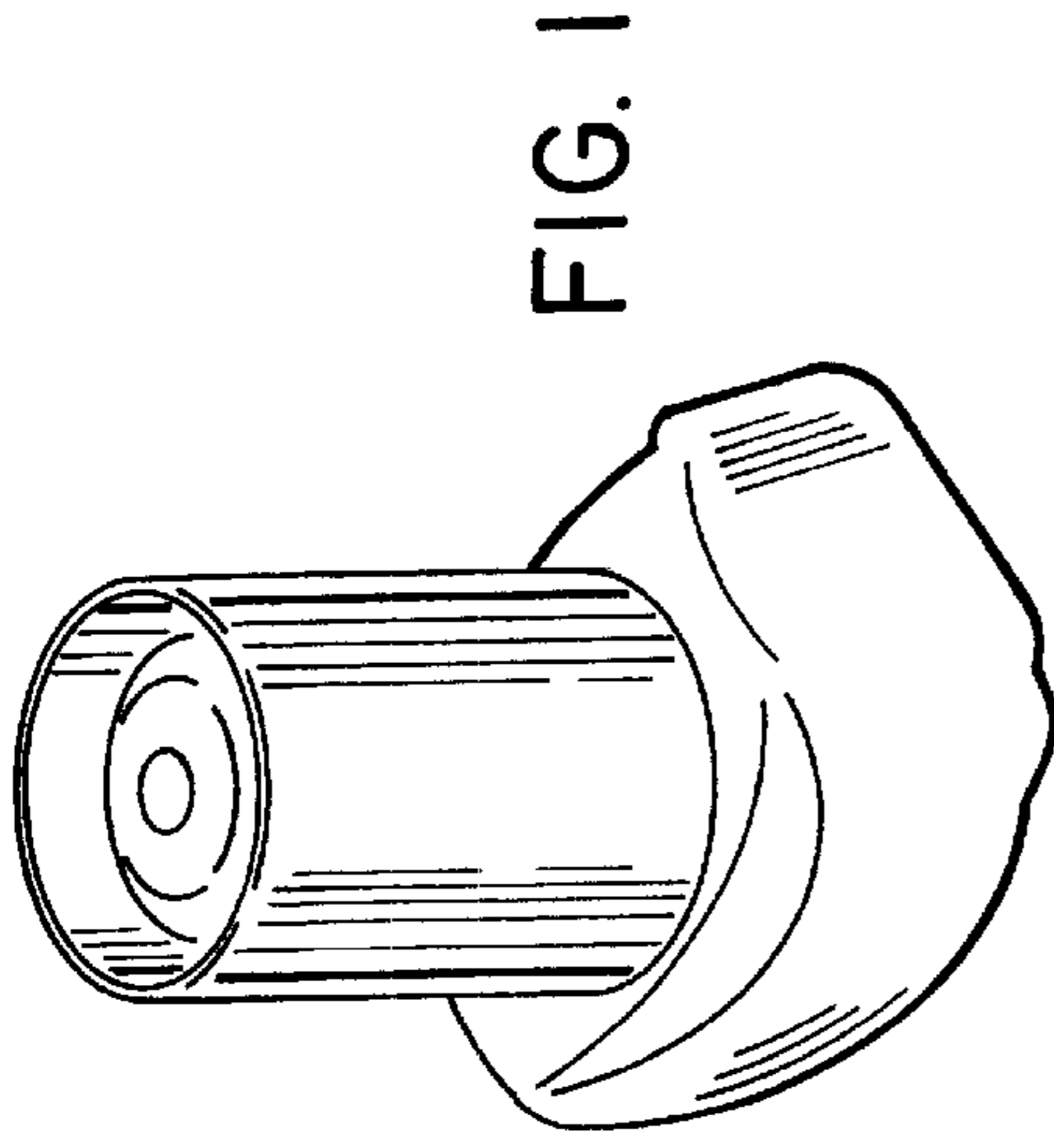


FIG. 1

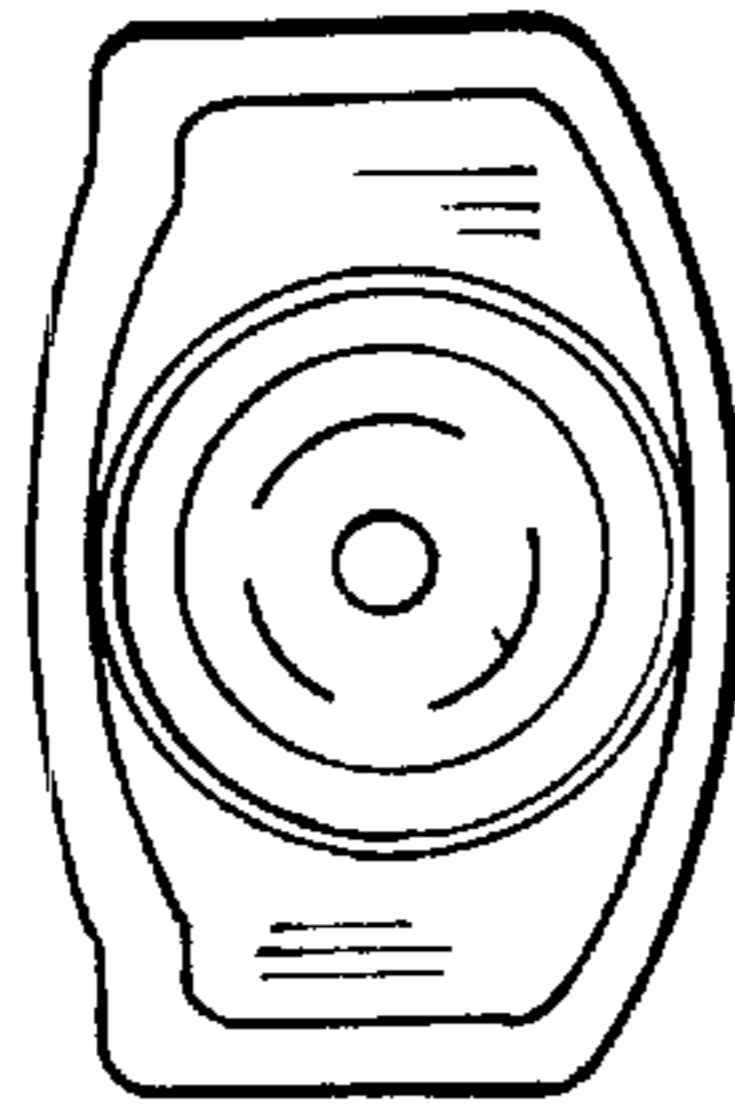


FIG. 2

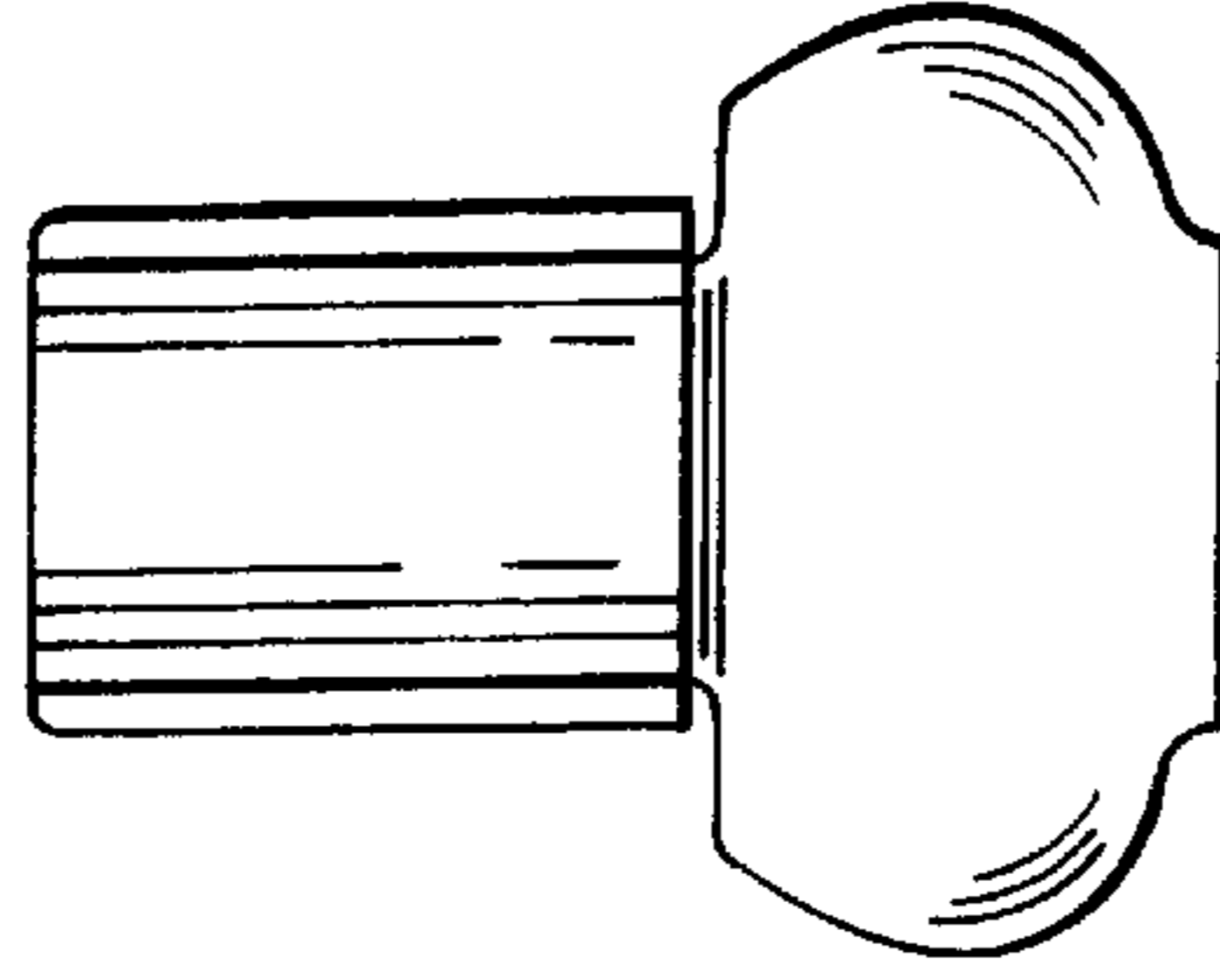


FIG. 3

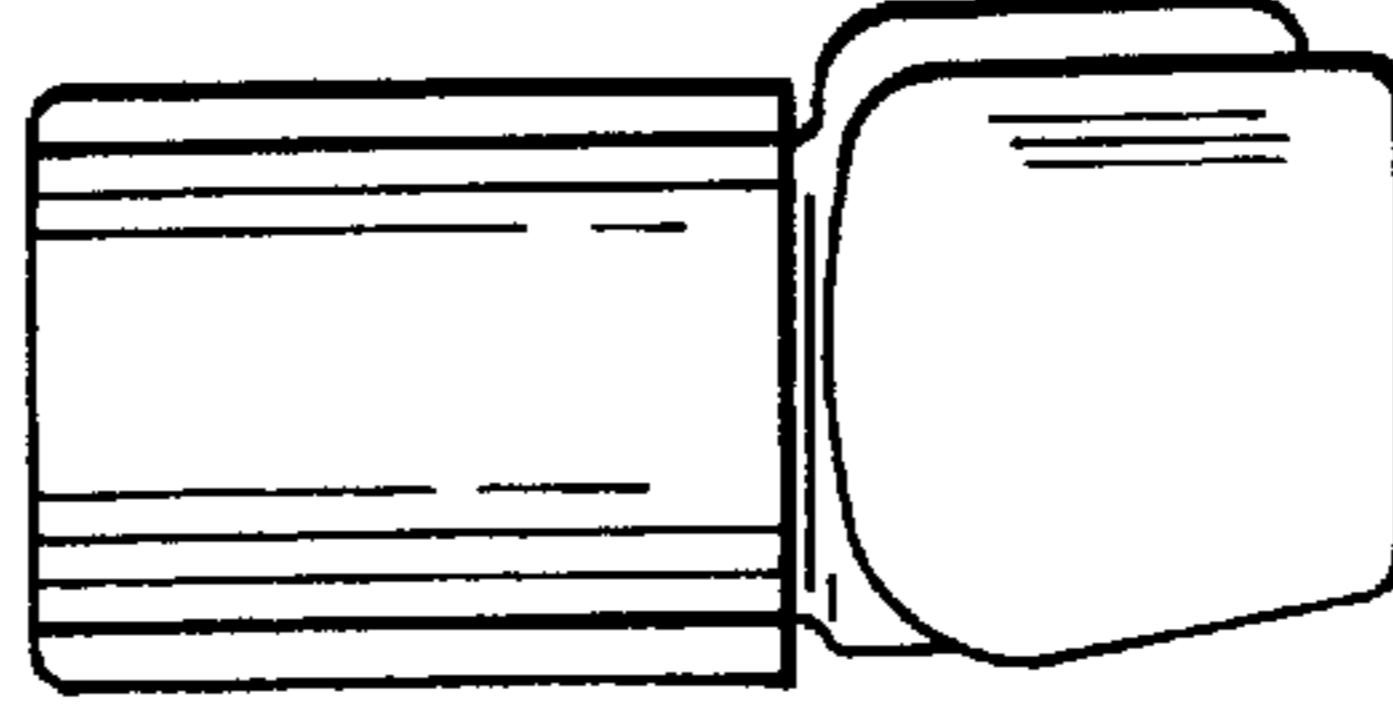


FIG. 4

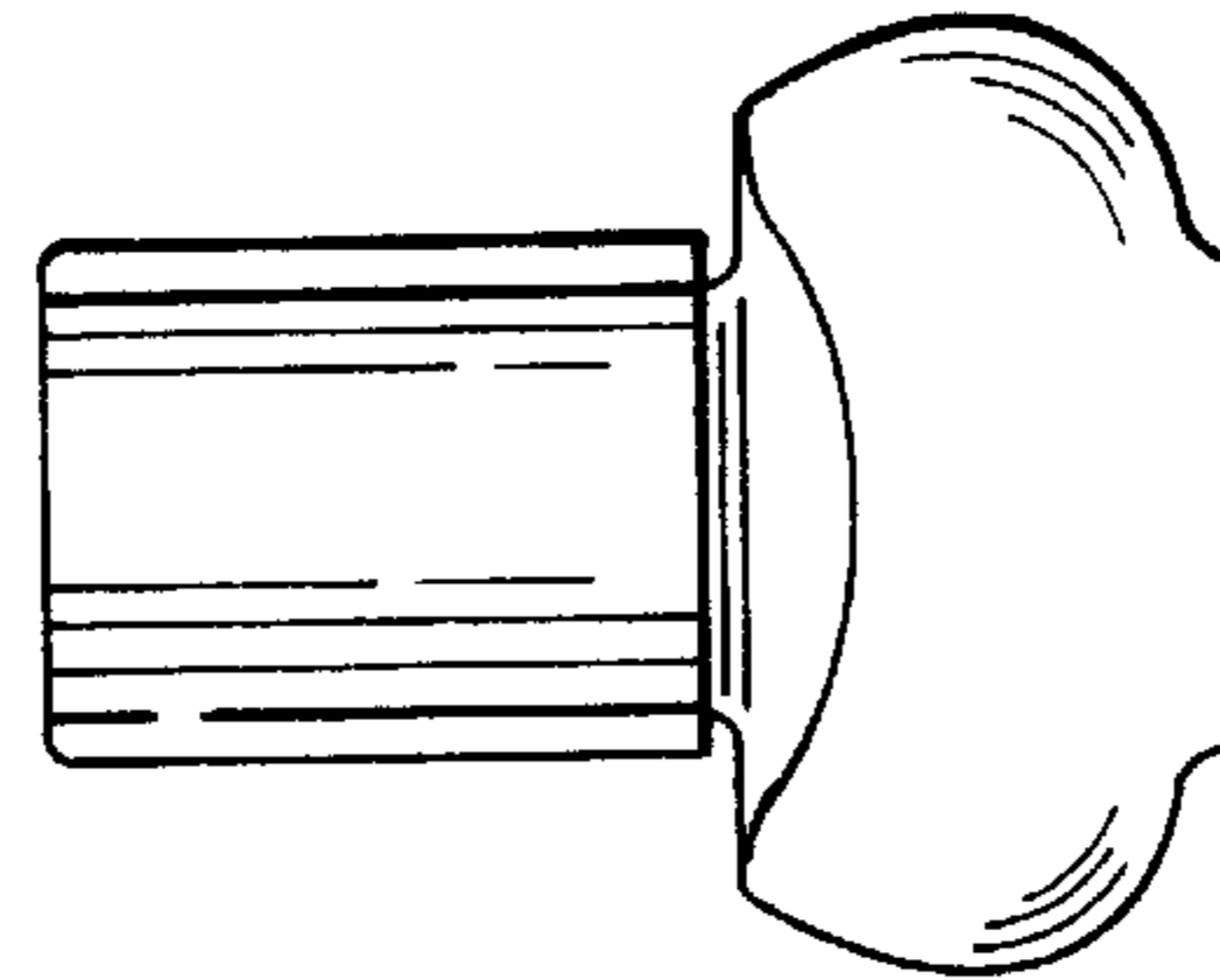


FIG. 5

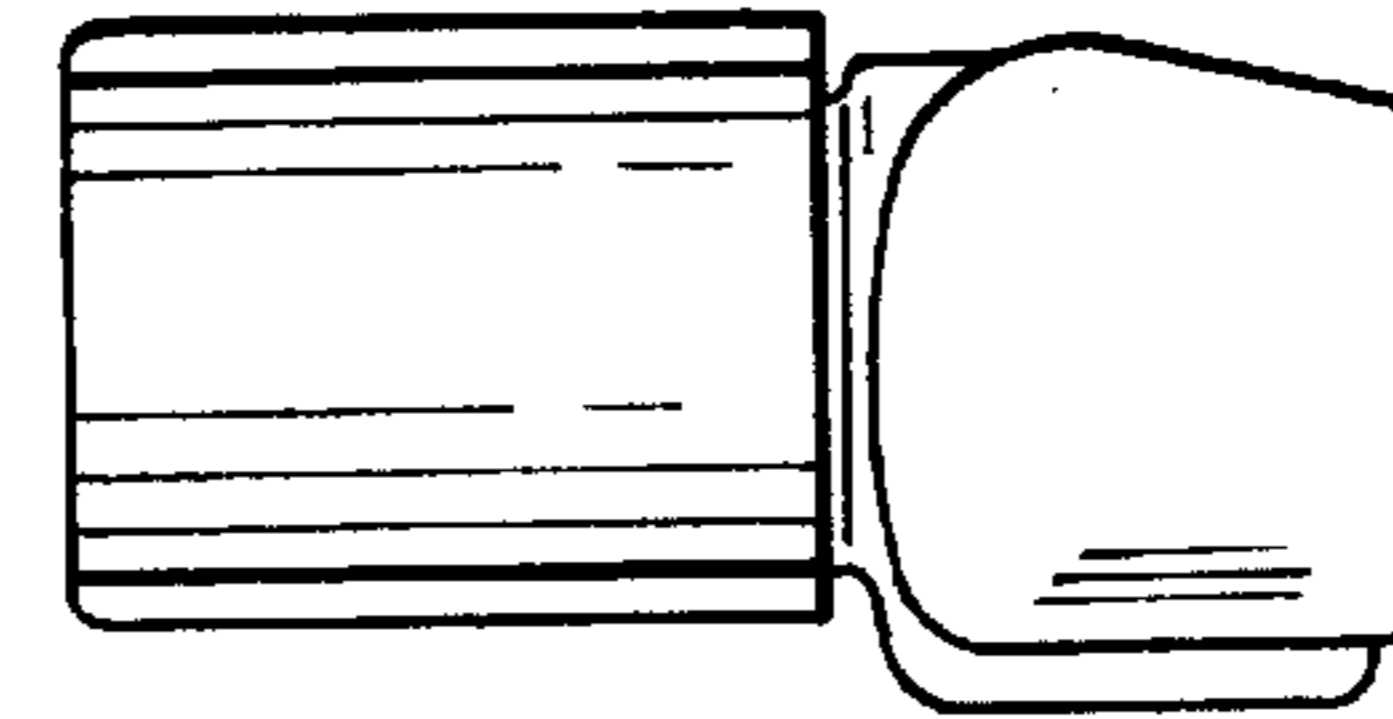


FIG. 6

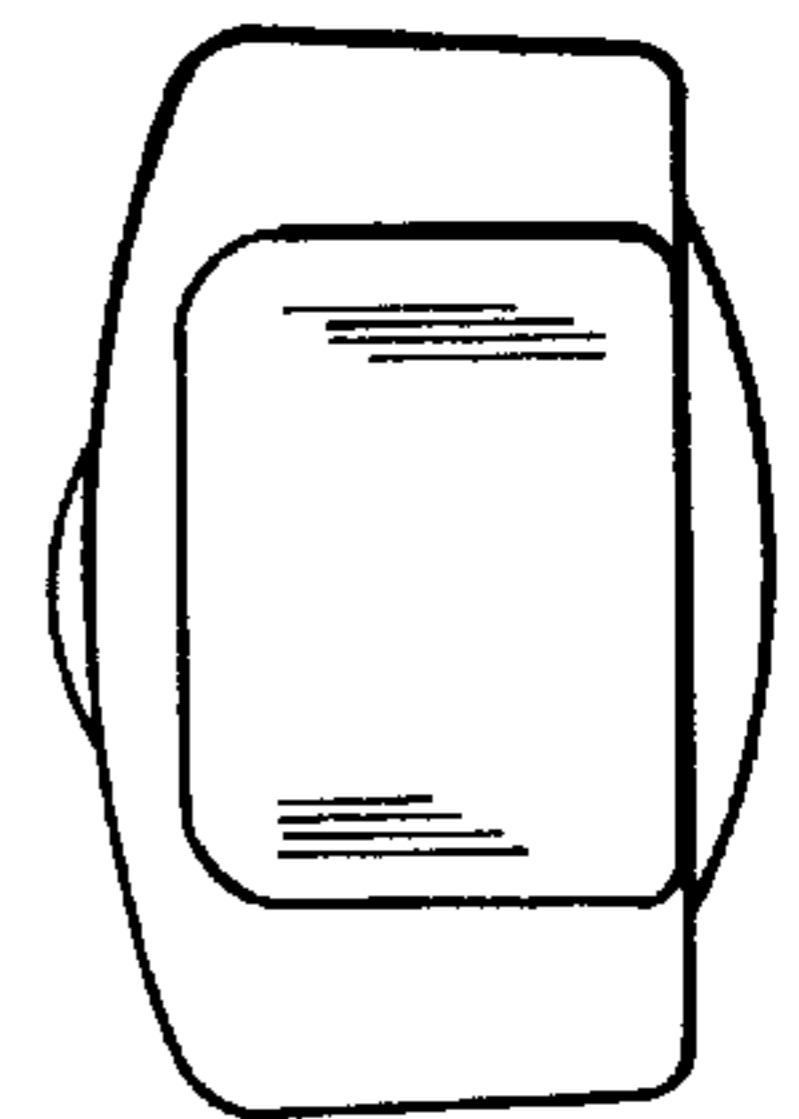


FIG. 7