



US00D453109S

(12) **United States Design Patent**
Piquet

(10) **Patent No.:** **US D453,109 S**

(45) **Date of Patent:** **** Jan. 29, 2002**

(54) **CHEF'S HAT CONTAINER CAP**

(75) Inventor: **Pierre Piquet**, Montcornet (FR)

(73) Assignee: **Aromont**, Montcornet (FR)

(**) Term: **14 Years**

(21) Appl. No.: **29/133,577**

(22) Filed: **Dec. 4, 2000**

(51) **LOC (7) Cl.** **09-07**

(52) **U.S. Cl.** **D9/451; D9/453**

(58) **Field of Search** **D9/434, 435, 451-454**

(56) **References Cited**

U.S. PATENT DOCUMENTS

| | | | | | |
|------------|---|---------|----------|-------|--------|
| D118,157 S | * | 12/1939 | Jung | | D9/452 |
| D124,623 S | * | 1/1941 | Jung | | D9/453 |
| D145,512 S | * | 9/1946 | Derham | | D9/452 |
| D303,932 S | * | 10/1989 | Pasillas | | D9/451 |
| D368,658 S | * | 4/1996 | Hirsch | | D9/453 |
| D427,070 S | * | 6/2000 | Brozell | | D9/453 |

* cited by examiner

Primary Examiner—Dominic Simone

(74) *Attorney, Agent, or Firm*—Gottlieb, Rackman & Reisman, P.C.

(57) **CLAIM**

The ornamental design for a chef's hat container cap, as shown and described.

DESCRIPTION

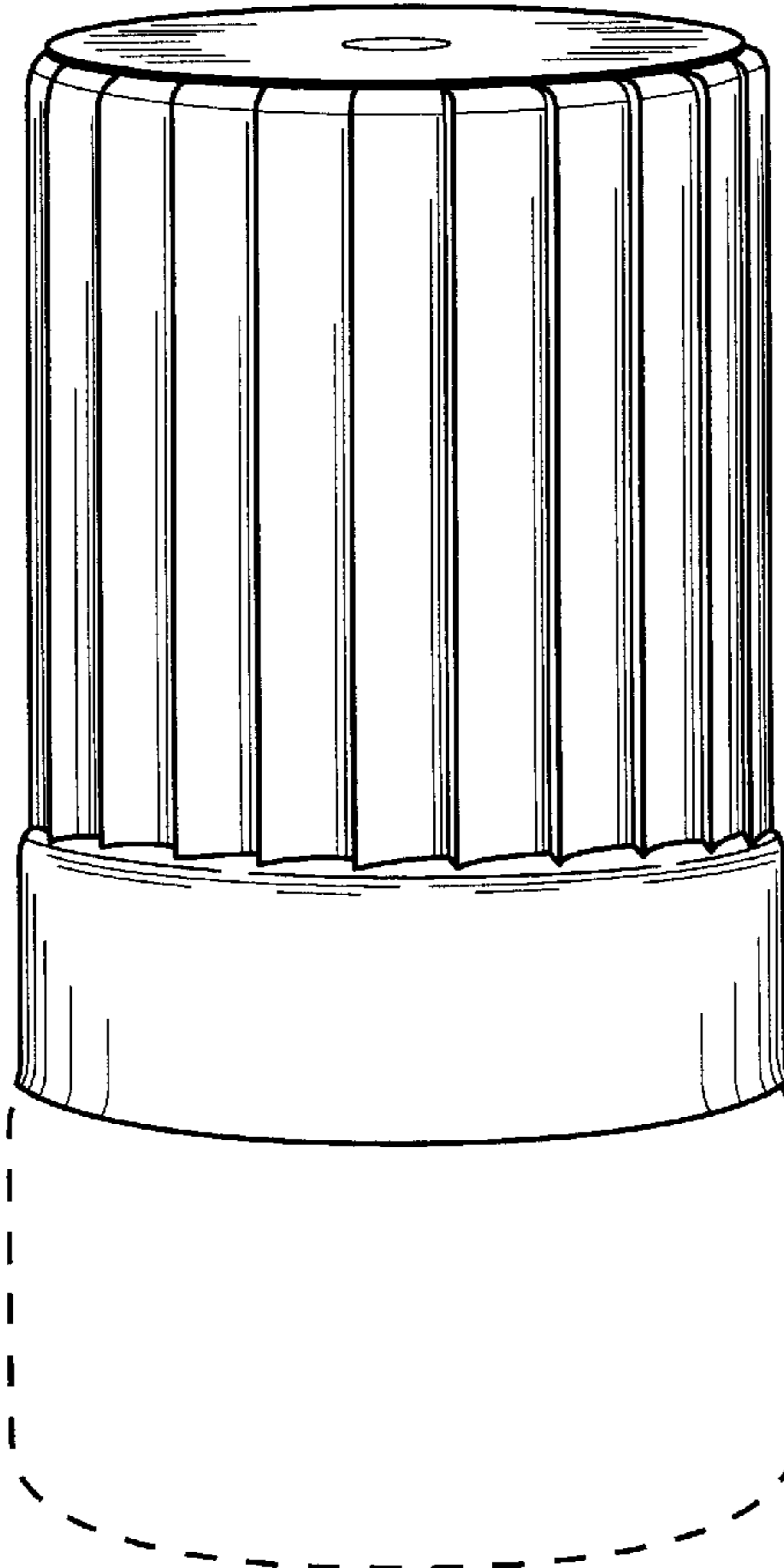
FIG. 1 shows an elevational view of the outside of a chef's hat container cap constructed in accordance with this invention; the broken lines showing a container are for illustrative purposes only and form no part of the claimed design;

FIG. 2 shows a side view of the chef's hat container cap of FIG. 1; the broken lines showing a container are for illustrative purposes only and form no part of the claimed design;

FIG. 3 shows a top plan view of the chef's hat container cap of FIG. 1; the broken lines showing a container are for illustrative purposes only and form no part of the claimed design; and,

FIG. 4 shows a bottom view of the chef's hat container cap of FIG. 1; the broken lines showing thread channels for attachment to a container are for illustrative purposes only and form no part of the claimed design.

1 Claim, 4 Drawing Sheets



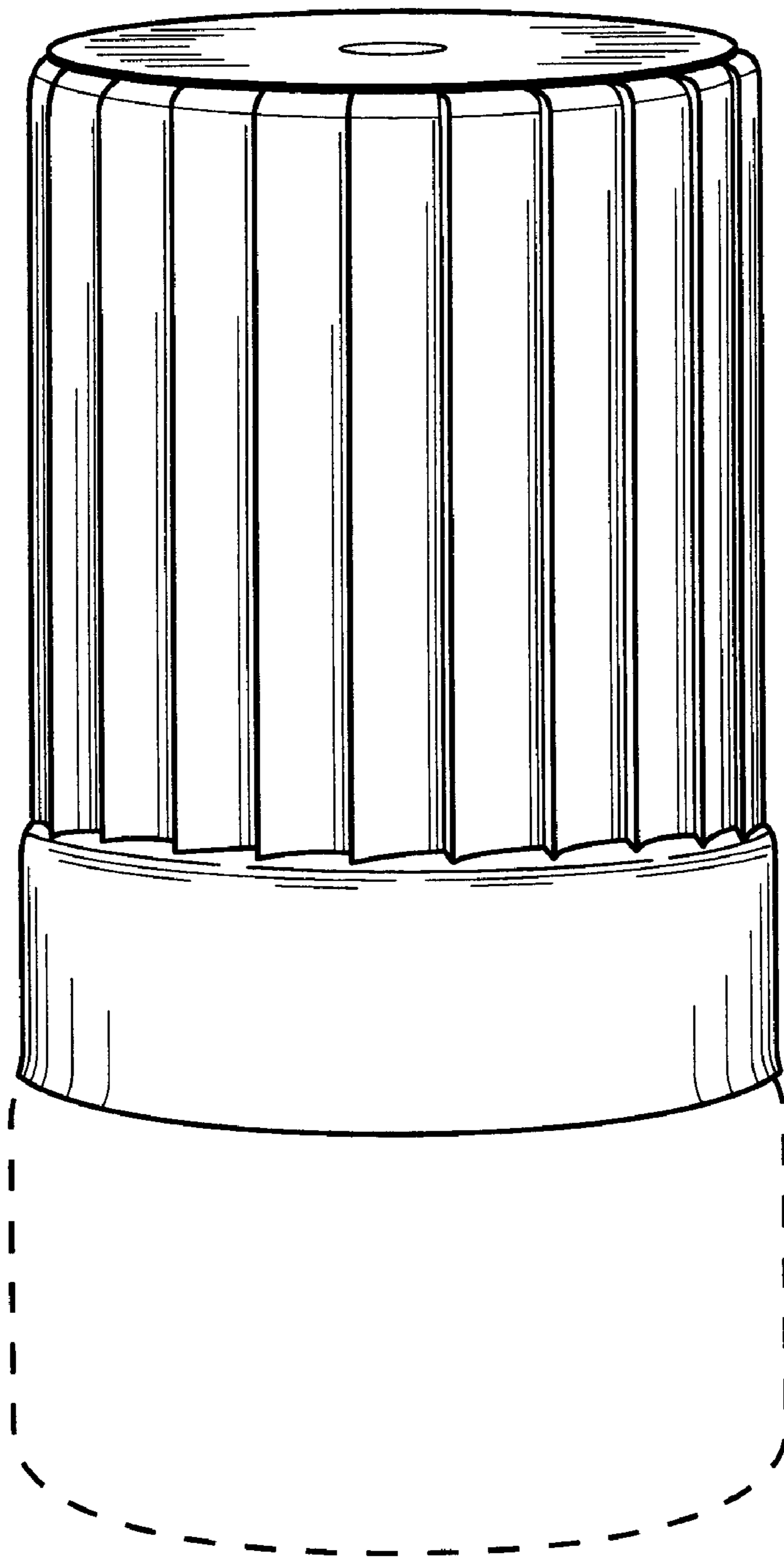


FIG. 1

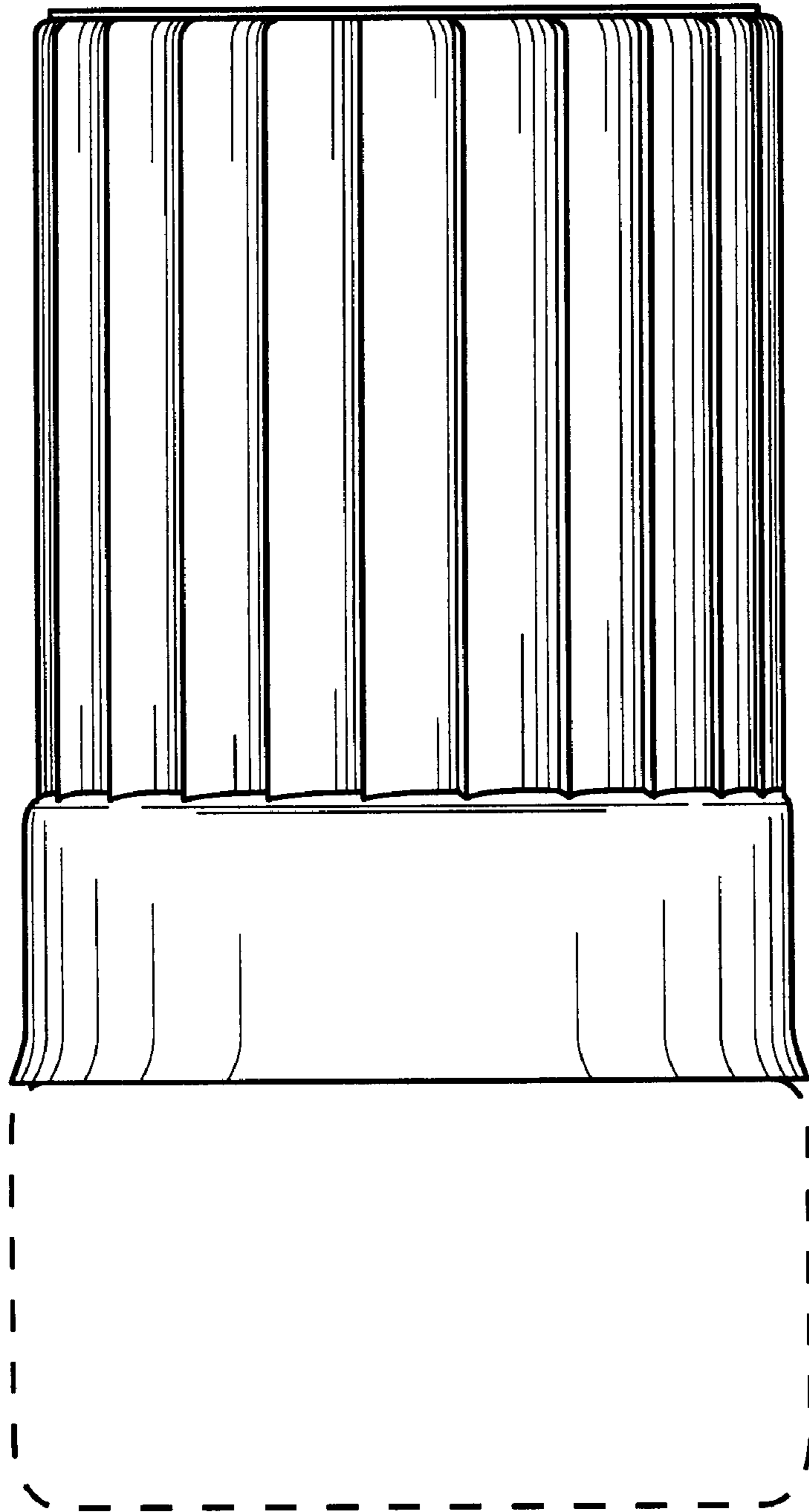


FIG. 2

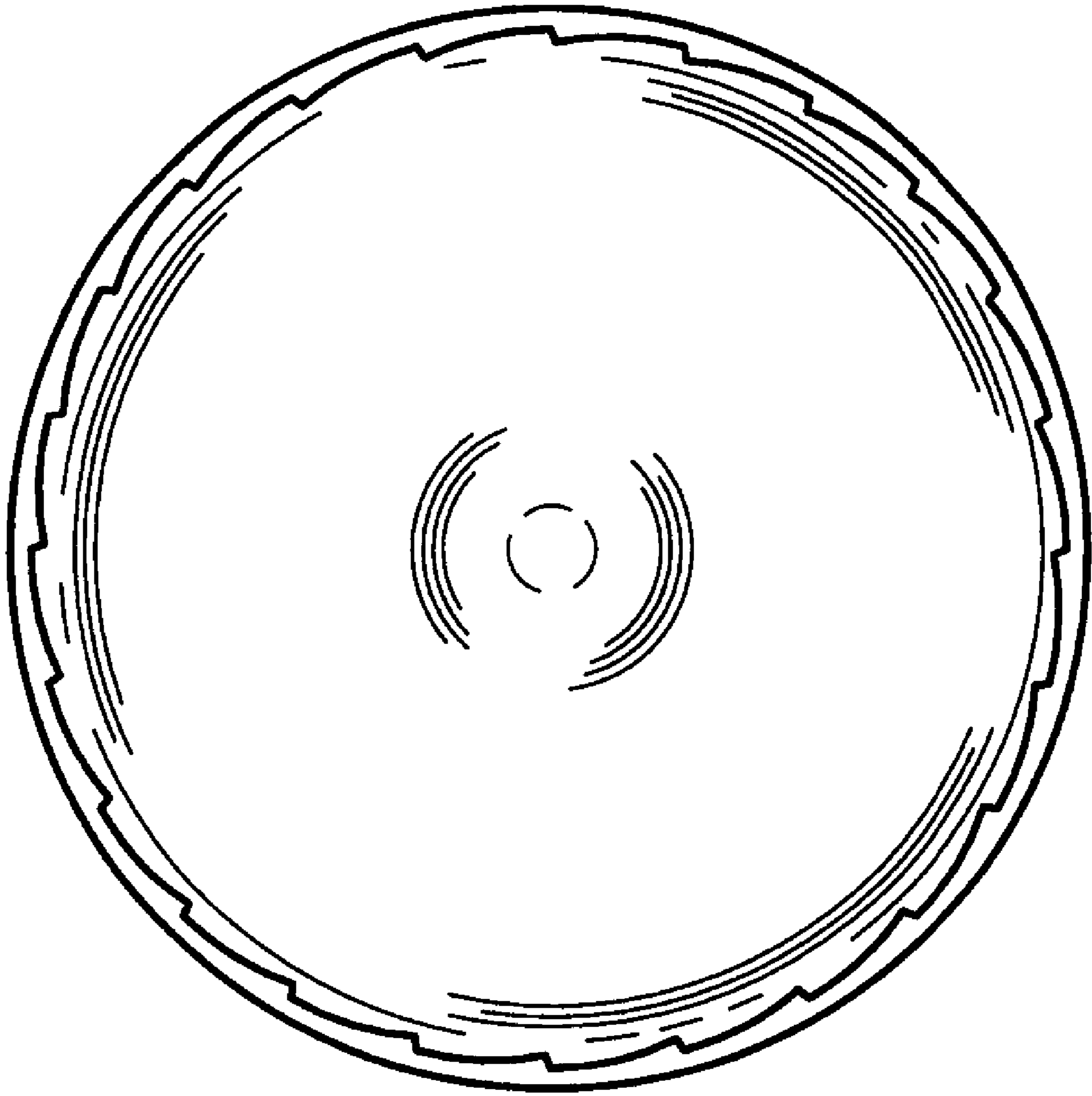


FIG. 3

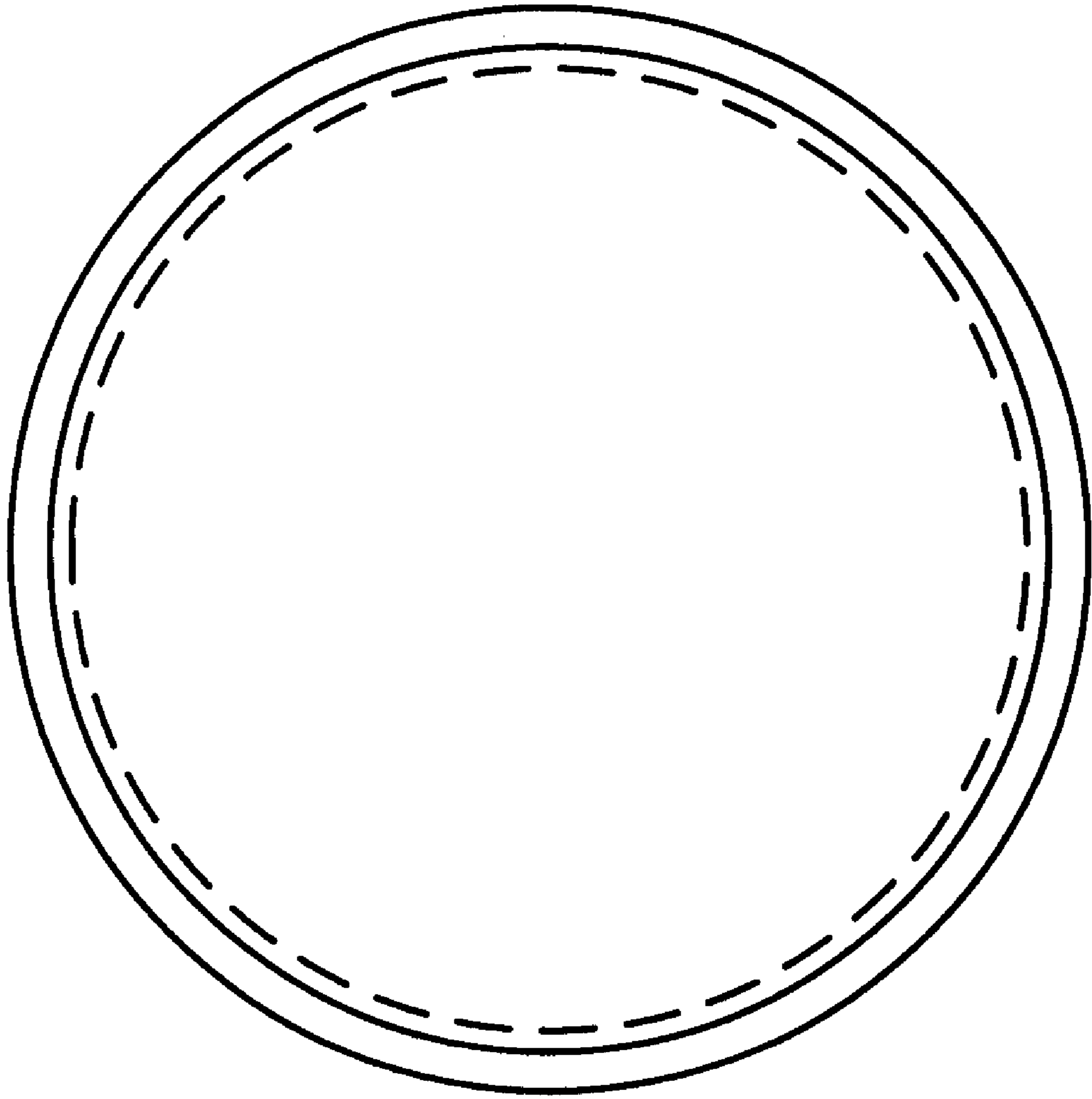


FIG. 4