



US00D453106S

(12) **United States Design Patent**
Peltrault

(10) **Patent No.:** **US D453,106 S**

(45) **Date of Patent:** **** Jan. 29, 2002**

(54) **PERFUME CONTAINER**

(75) **Inventor:** **Thierry Peltrault, Paris (FR)**

(73) **Assignee:** **Cartier International B.V., Amsterdam (NL)**

(**) **Term:** **14 Years**

(21) **Appl. No.:** **29/130,630**

(22) **Filed:** **Oct. 6, 2000**

(30) **Foreign Application Priority Data**

Apr. 10, 2000 (XH) DM/051 435

(51) **LOC (7) Cl.** **09-01**

(52) **U.S. Cl.** **D9/300**

(58) **Field of Search** D9/300, 302, 504,
D9/511, 512, 529, 500, 428, 418; D28/91.1;
222/153.11, 153.12, 153.13, 153.14, 321.1-321.9,
173; 239/333

(56) **References Cited**

U.S. PATENT DOCUMENTS

D237,583 S * 11/1975 Kemp D9/300

D274,499 S * 7/1984 Soos D9/300
D318,610 S * 7/1991 Nitta D9/300
D318,794 S * 8/1991 Litton et al. D9/300
6,092,694 A * 7/2000 Sadow 222/321.7
D437,212 S * 2/2001 Adachi et al. D9/300
6,196,423 B1 * 3/2001 Erxleben 222/321.7

* cited by examiner

Primary Examiner—Prabhakar Deshmukh

(74) *Attorney, Agent, or Firm*—Oliff & Berridge, PLC

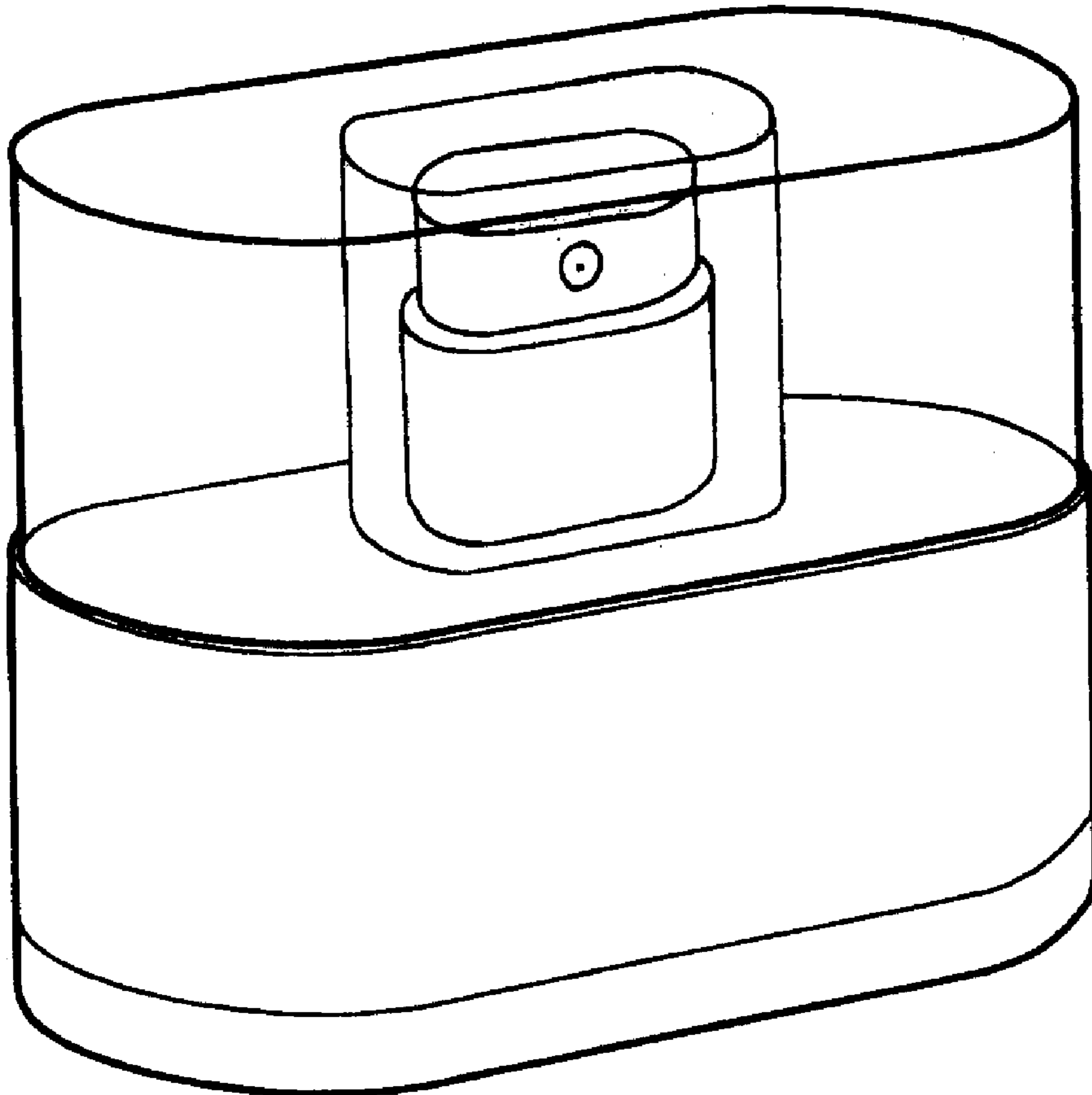
(57) **CLAIM**

The ornamental design for a perfume container, as shown and described.

DESCRIPTION

FIG. 1 is a perspective view of the perfume container, FIG. 2 is a an elevational view thereof, FIG. 3 is a side elevational view thereof, FIG. 4 is a top plan view thereof, FIG. 5 is a bottom plan view thereof; and, FIG. 6 is a perspective view with cap in open removed position.

1 Claim, 2 Drawing Sheets



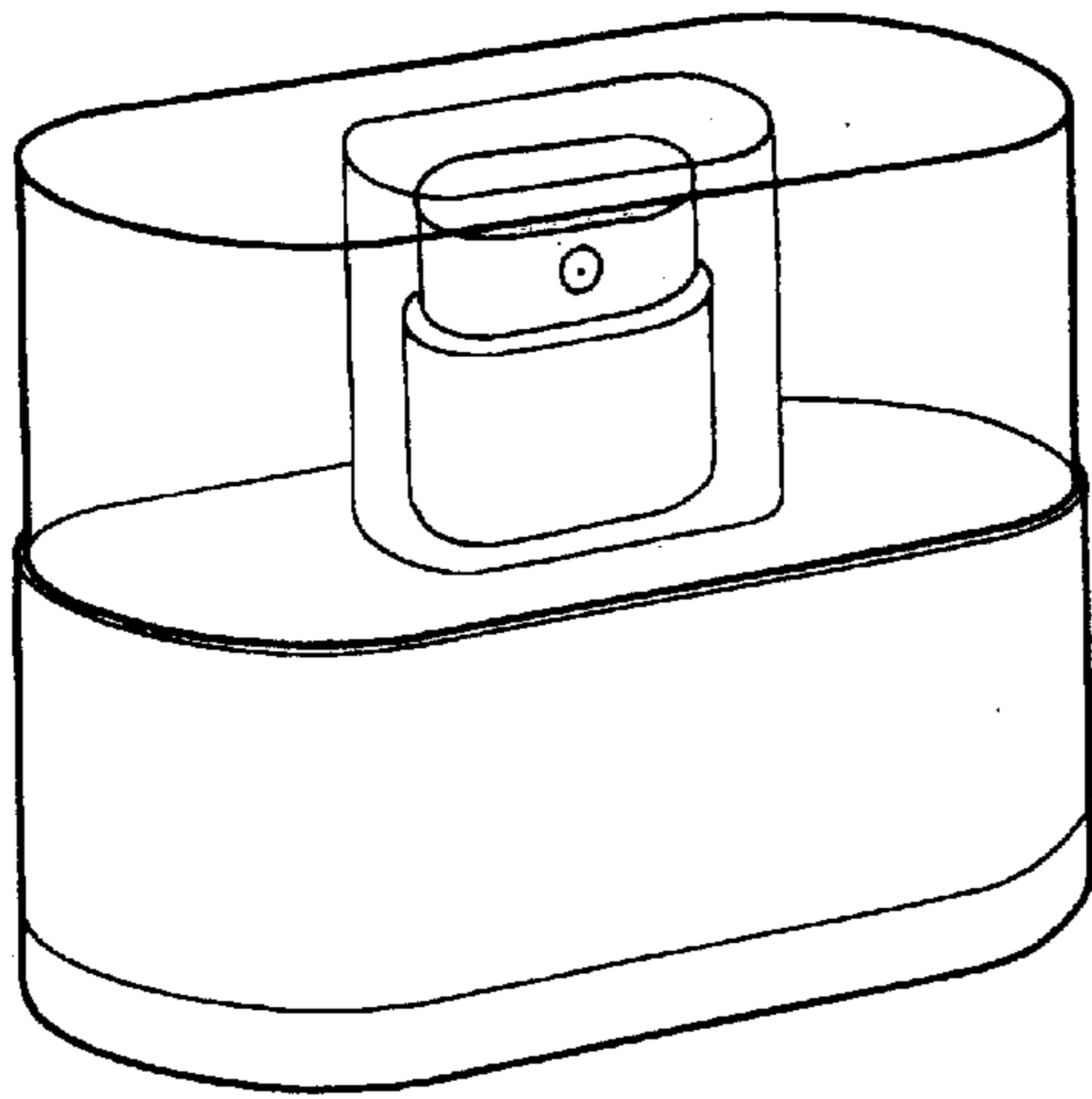


FIG. 1

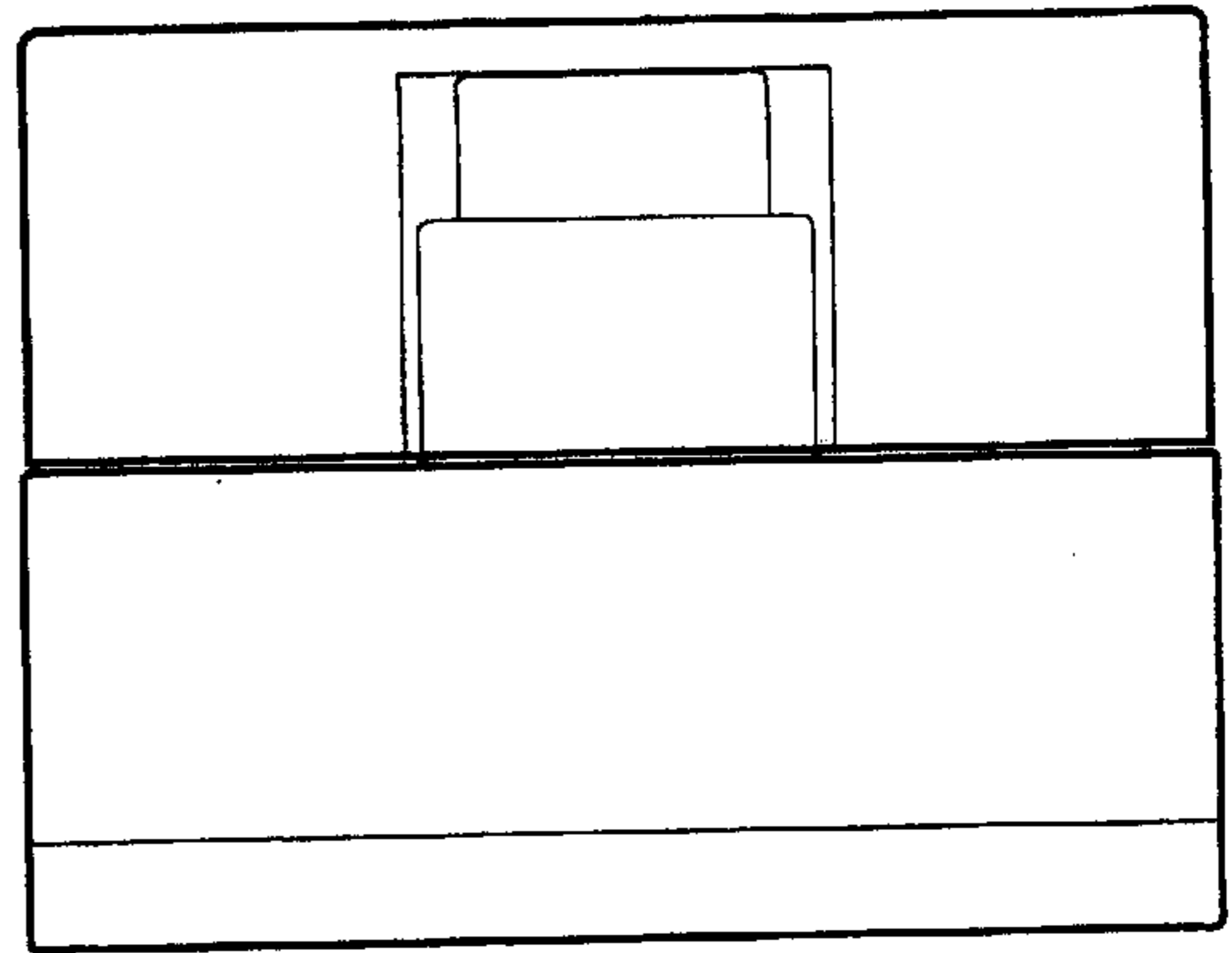


FIG. 2

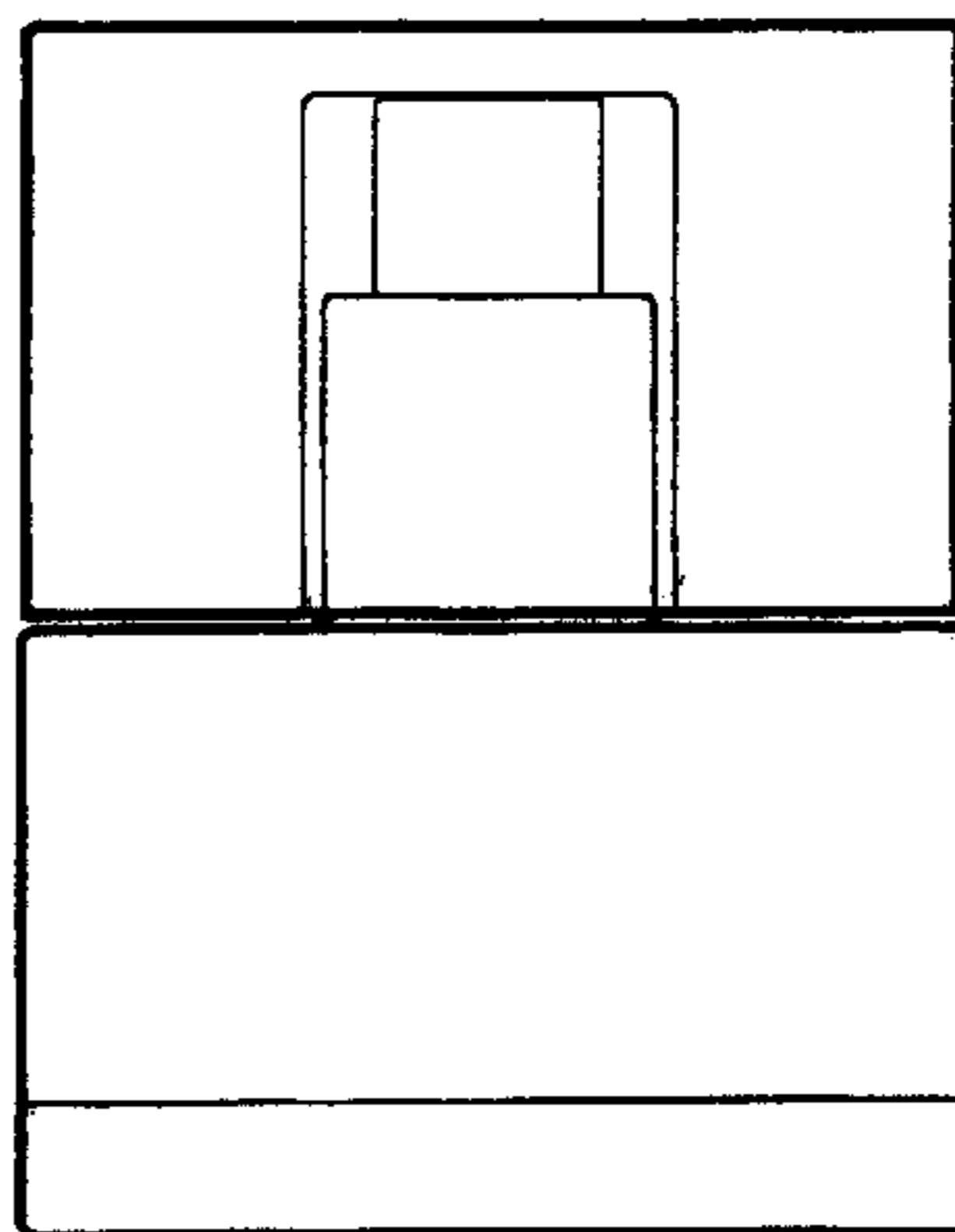


FIG. 3

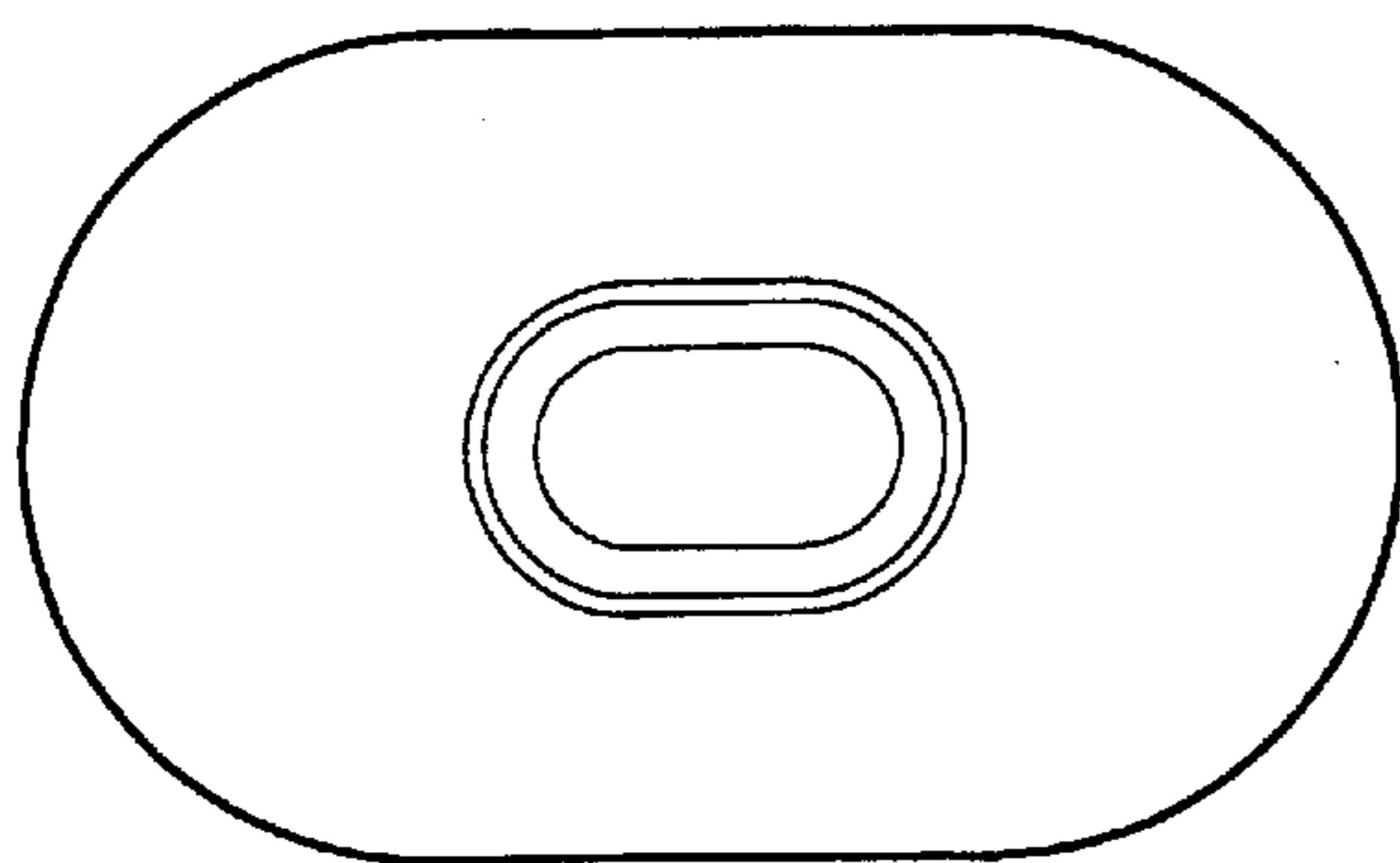


FIG. 4

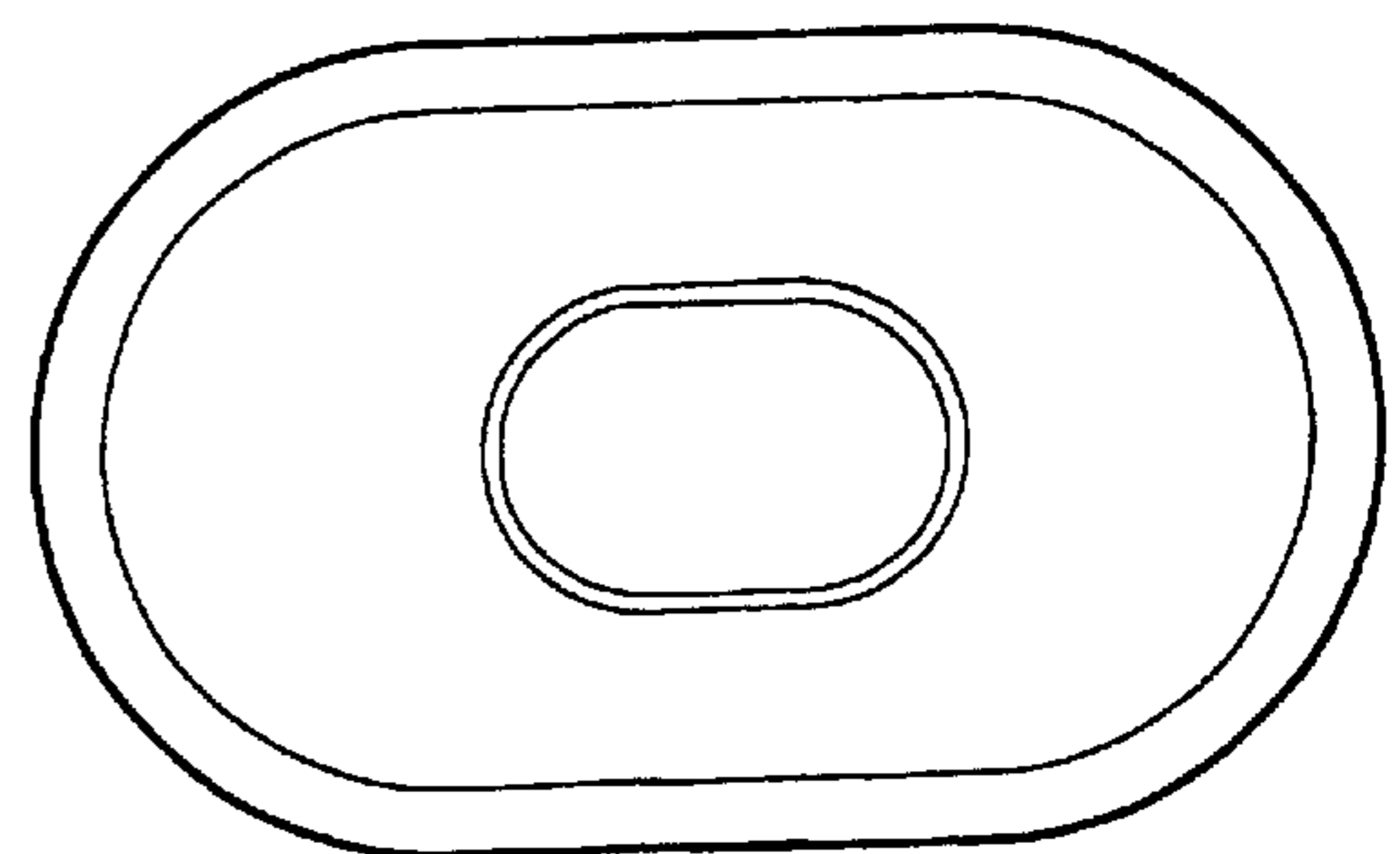


FIG. 5

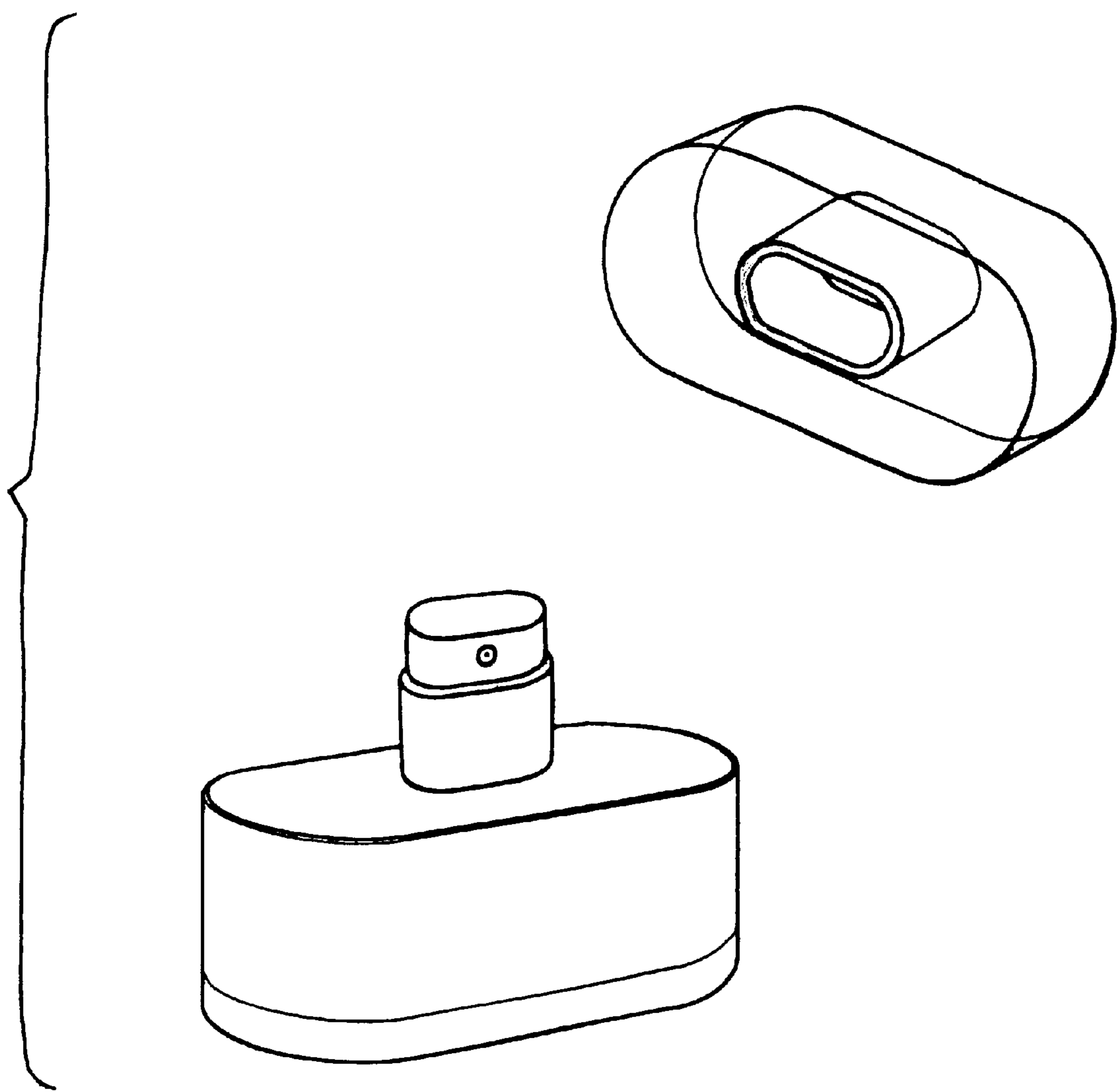


FIG. 6