



US00D453105S

(12) **United States Design Patent**
Morita

(10) **Patent No.:** **US D453,105 S**

(45) **Date of Patent:** **** Jan. 29, 2002**

(54) **MAGNETIC FASTENER WITH FIXING UNIT**

D400,429 S * 11/1998 Morita D8/382
6,131,247 A 10/2000 Morita

(76) Inventor: **Tamao Morita**, 47-1, Arakawa,
6-Chome, Arakawa-ku, Tokyo 116 (JP)

* cited by examiner

(**) Term: **14 Years**

Primary Examiner—Alan P. Douglas

Assistant Examiner—Clare E. Heflin

(21) Appl. No.: **29/129,782**

(74) *Attorney, Agent, or Firm*—Patton Boggs LLP

(22) Filed: **Sep. 22, 2000**

(57) **CLAIM**

(51) **LOC (7) Cl.** **02-07**

The ornamental design for a magnetic fastener with fixing unit, as shown and described.

(52) **U.S. Cl.** **D8/382; D11/220**

(58) **Field of Search** D8/349, 382; D11/200,
D11/205–220, 331; 24/303, 688; 294/65.5;
292/251.5; 63/29.2; 335/285

DESCRIPTION

(56) **References Cited**

FIG. 1 is a bottom isometric view of the male fastener and the female fastener of a magnetic fastener with fixing unit in their separated or detached position with female fastener member overlying the male fastener member.

U.S. PATENT DOCUMENTS

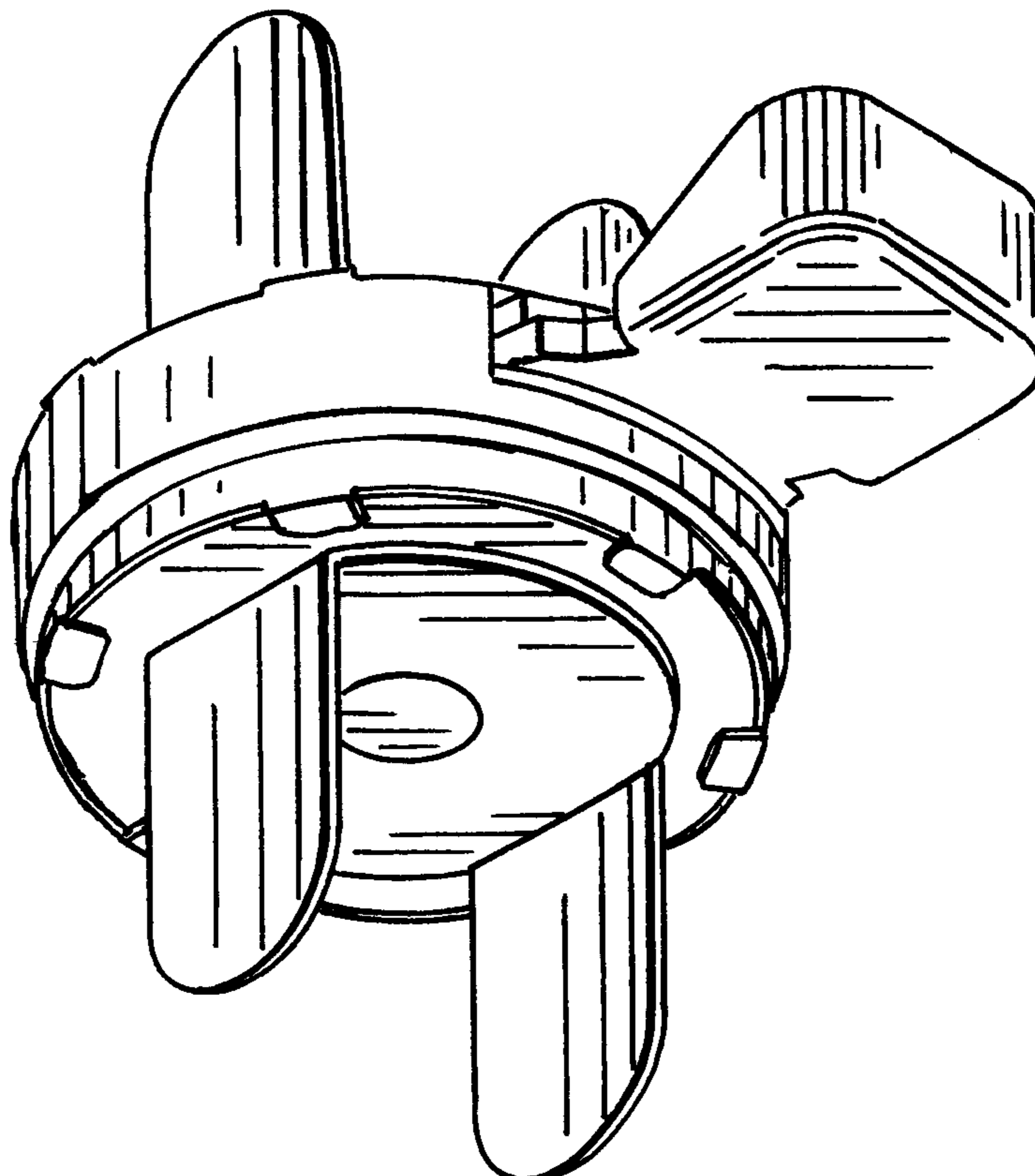
4,700,436 A	10/1987	Morita	
4,453,294 C1	5/1991	Morita	
5,125,134 A	6/1992	Morita	
5,152,035 A	10/1992	Morita	
5,199,138 A	4/1993	Morita	
D335,266 S	* 5/1993	Morita D11/231
5,253,394 A	10/1993	Morita	
5,274,889 A	1/1994	Morita	
5,377,392 A	1/1995	Morita	
D375,061 S	* 10/1996	Morita D11/220
D386,669 S	* 11/1997	Aoki D8/382
5,707,091 A	1/1998	Morita	

FIG. 2 is a bottom isometric view of the male fastener and the female fastener of the magnetic fastener with fixing unit of FIG. 1 in their attracted or fastened position;

FIG. 3 is a top isometric view of the male fastener and the female fastener of a magnetic fastener with fixing unit in their separated or detached position with the female overlying the male fastener member; and,

FIG. 4 is a top isometric view of the male fastener and the female fastener of the magnetic fastener with fixing unit of FIG. 3 in their attracted or fastened position.

1 Claim, 1 Drawing Sheet



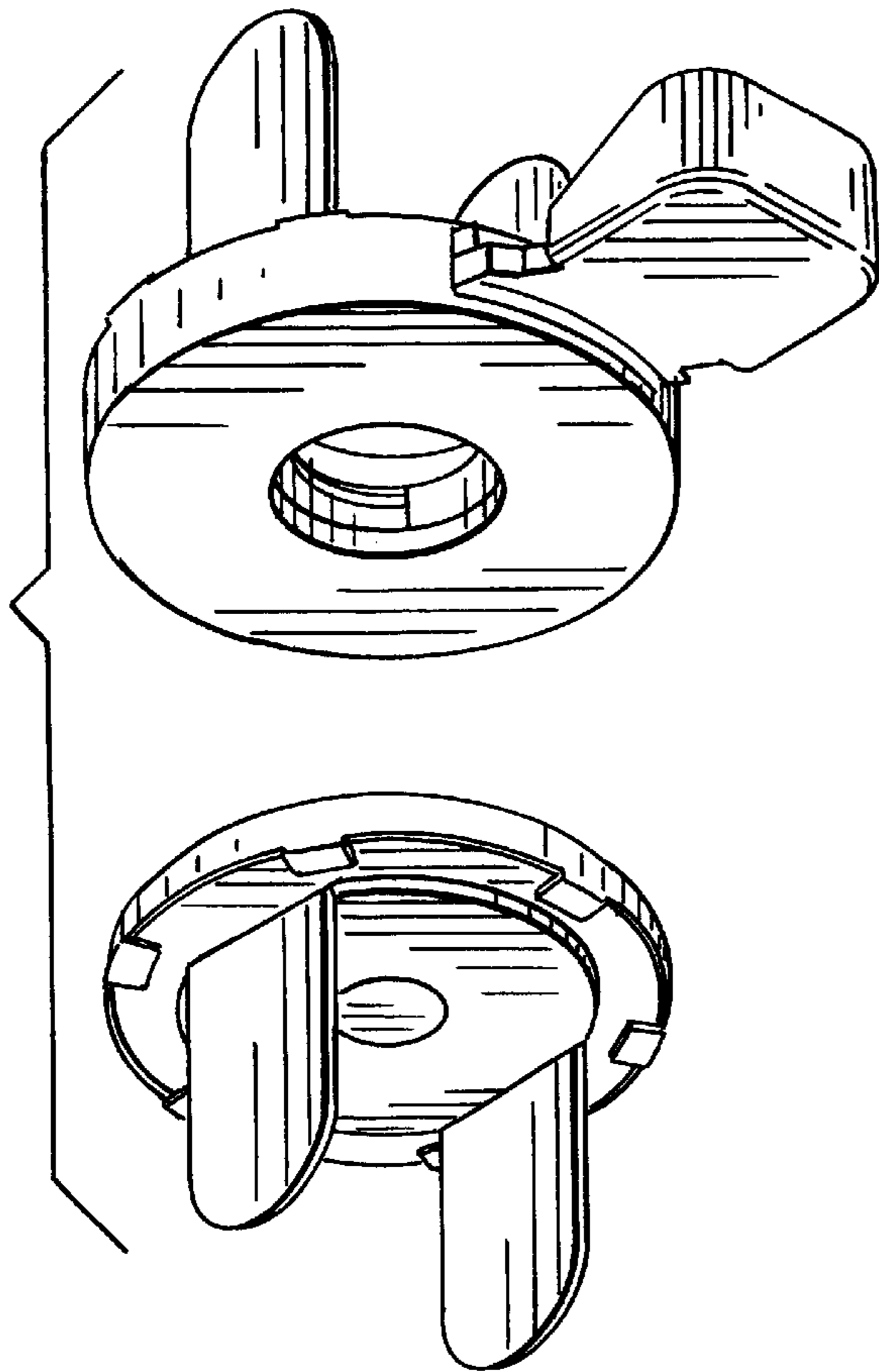


Fig.1

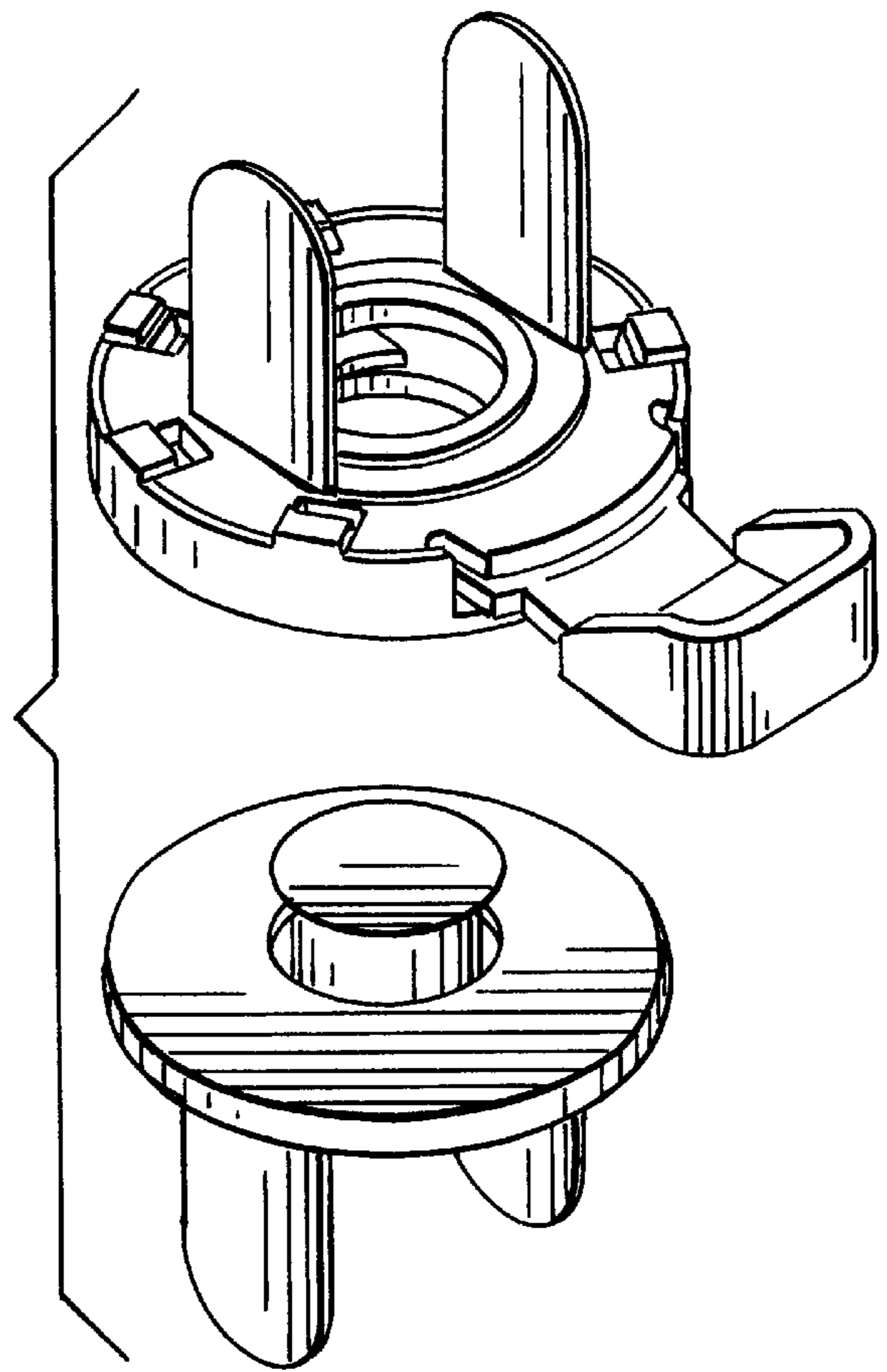


Fig.3

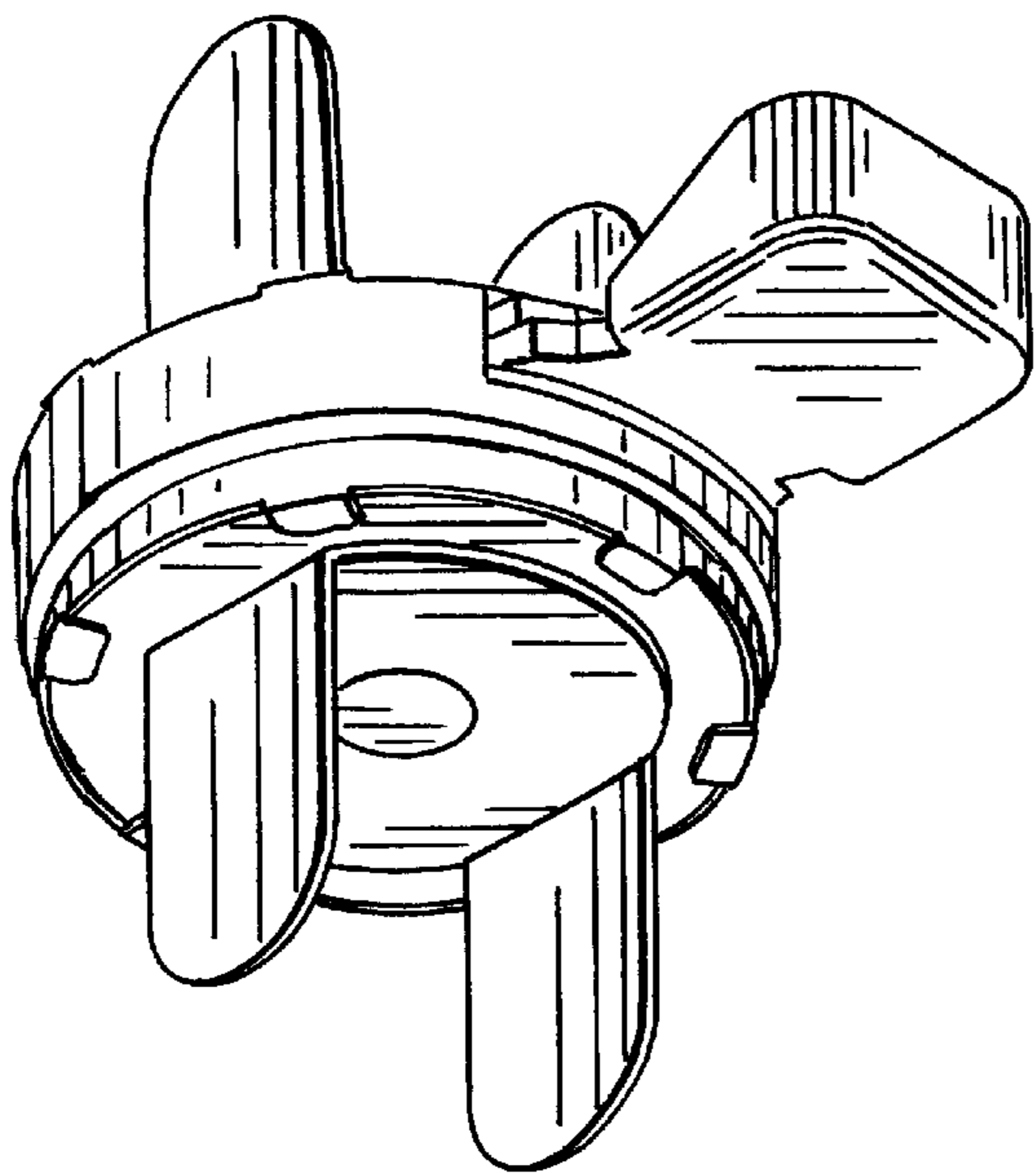


Fig.2

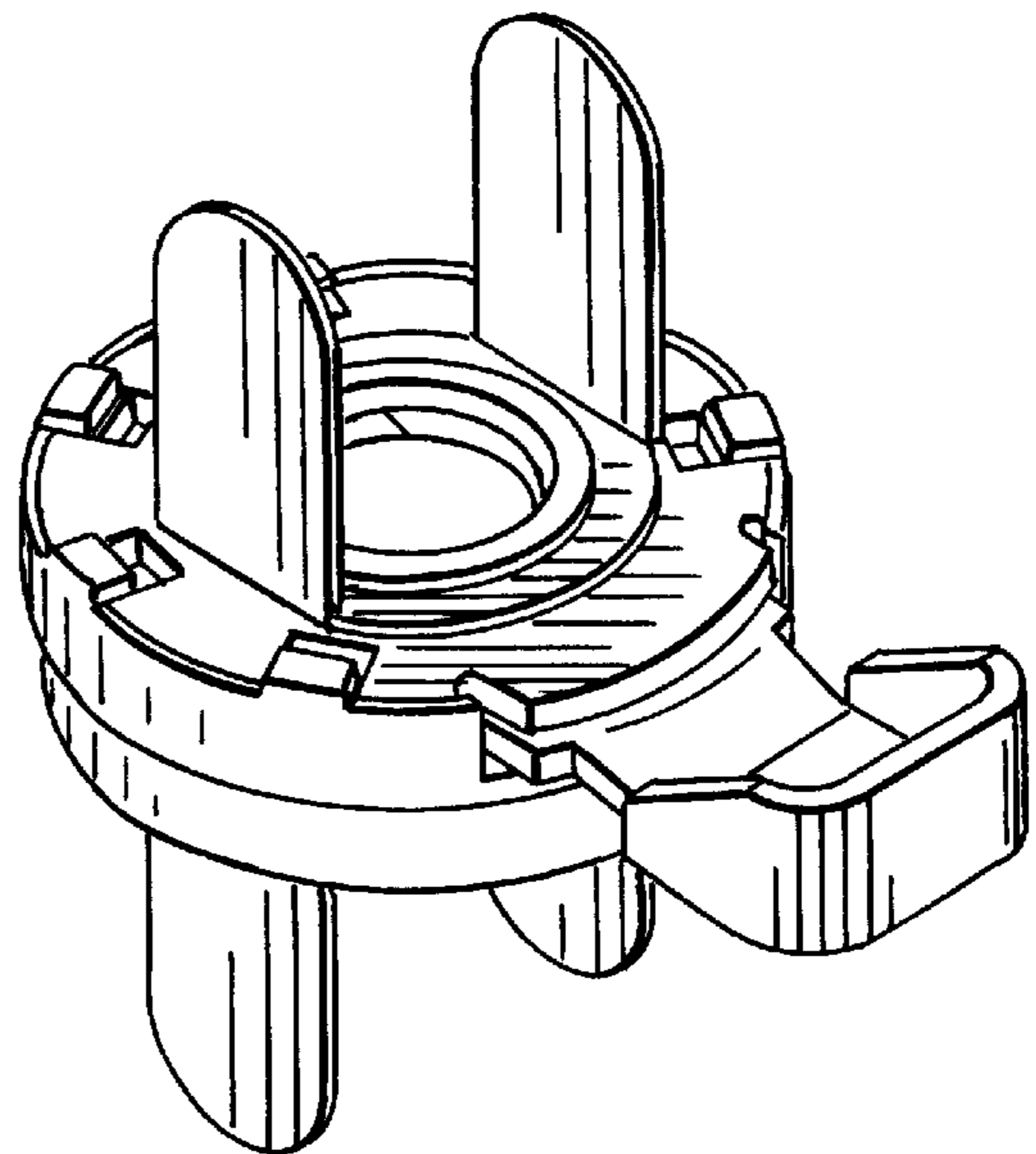


Fig.4